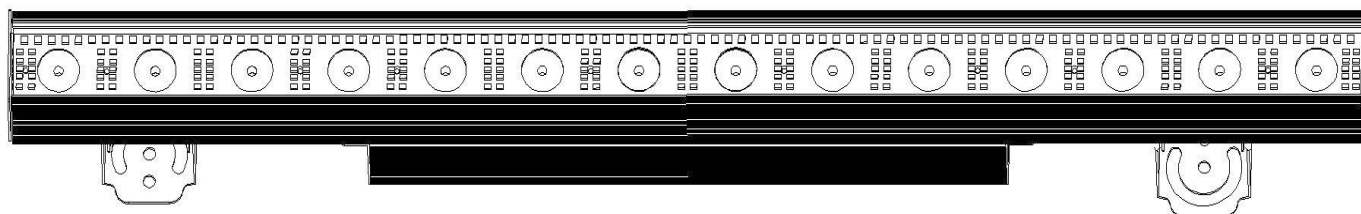


RAVE BAR

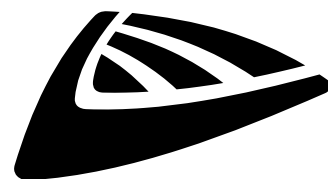


ENGLISH Operation Manual

Other languages can be downloaded from:
WWW.JB-SYSTEMS.EU



Version: 1.0



JB SYSTEMS



EN - DISPOSAL OF THE DEVICE

Dispose of the unit and used batteries in an environment friendly manner according to your country regulations.

FR - DÉCLASSER L'APPAREIL

Débarrassez-vous de l'appareil et des piles usagées de manière écologique Conformément aux dispositions légales de votre pays.

NL - VERWIJDEREN VAN HET APPARAAT

Verwijder het toestel en de gebruikte batterijen op een milieuvriendelijke manier conform de in uw land geldende voorschriften.

DU - ENTSORGUNG DES GERÄTS

Entsorgen Sie das Gerät und die Batterien auf umweltfreundliche Art und Weise gemäß den Vorschriften Ihres Landes.

ES - DESHACERSE DEL APARATO

Reciclar el aparato y pilas usadas de forma ecologica conforme a las disposiciones legales de su país.

PT - COMO DESFAZER-SE DA UNIDADE

Tente reciclar a unidade e as pilhas usadas respeitando o ambiente e em conformidade com as normas vigentes no seu país.

OPERATION MANUAL

Thank you for buying this JB SYSTEMS® product. To take full advantage of all possibilities and for your own safety, please read these operating instructions very carefully before you start using this unit.

FEATURES

- 3 effects in one single unit !
 - 14x3W Warm White Leds
 - 120 SMD RGB Leds
 - 180 SMD Cold White Leds
- Prepared for wireless DMX: just plug-in an optional WTR-DMX DONGLE ! (optional, Briteq® code 4645)
- Multiple working modes:
 - DMX-control: via 1, 2, 6, 34 or 37 channels
 - Standalone: sound activated with internal mic
 - Master/slave: wonderful synchronized lightshows.
- 4-digit LED-display for easy menu navigation

BEFORE USE

- Before you start using this unit, please check if there's no transportation damage. Should there be any, do not use the device and consult your dealer first.
- **Important:** This device left our factory in perfect condition and well packaged. It is absolutely necessary for the user to strictly follow the safety instructions and warnings in this user manual. Any damage caused by mishandling is not subject to warranty. The dealer will not accept responsibility for any resulting defects or problems caused by disregarding this user manual.
- Keep this booklet in a safe place for future consultation. If you sell the fixture, be sure to add this user manual.

Check the contents:

Check that the packing contains the following items:

- Operating instructions
- RAVE BAR
- Mains cable

SAFETY INSTRUCTIONS:



CAUTION
RISK OF ELECTRIC SHOCK
DO NOT OPEN



CAUTION: To reduce the risk of electric shock, do not remove the top cover. No user-serviceable parts inside. Refer servicing to qualified service personnel only.



The lightning flash with arrowhead symbol within the equilateral triangle is intended to alert the user or the presence of un-insulated "dangerous voltage" within the product's enclosure that may be of sufficient magnitude to constitute a risk of electric shock.



The exclamation point within the equilateral triangle is intended to alert the user to the presence of important operation and maintenance (servicing) instructions in the literature accompanying this appliance.



This symbol means: indoor use only



This symbol means: Read instructions



This symbol determines: the minimum distance from lighted objects. The minimum distance between light-output and the illuminated surface must be more than 0.1 meter



The device is not suitable for direct mounting on normally flammable surfaces. (suitable only for mounting on non-combustible surfaces)

RISK GROUP 2
CAUTION:
Do not stare at operating lamp

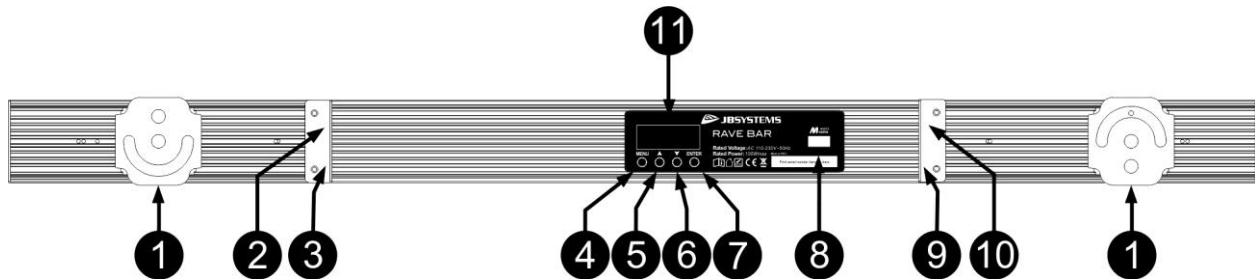
CAUTION: Do not stare at operating lamp.
May be harmful to the eyes.

- To protect the environment, please try to recycle the packing material as much as possible.
- To prevent fire or shock hazard, do not expose this appliance to rain or moisture.
- To avoid condensation to be formed inside, allow the unit to adapt to the surrounding temperatures when bringing it into a warm room after transport. Condense sometimes prevents the unit from working at full performance or may even cause damages.
- This unit is for indoor use only.
- Don't place metal objects or spill liquid inside the unit. Electric shock or malfunction may result. If a foreign object enters the unit, immediately disconnect the mains power.
- Locate the fixture in a well ventilated spot, away from any flammable materials and/or liquids. The fixture must be fixed at least 50cm from surrounding walls.
- Don't cover any ventilation openings as this may result in overheating.
- Prevent use in dusty environments and clean the unit regularly.
- Keep the unit away from children.
- Inexperienced persons should not operate this device.
- Maximum safe ambient temperature is 40°C. Don't use this unit at higher ambient temperatures.
- Make sure the area below the installation place is free from unwanted persons during rigging, de-rigging and servicing.
- Allow the device about 10 minutes to cool down before to start servicing.
- Always unplug the unit when it is not used for a longer time or before to start servicing.
- The electrical installation should be carried out by qualified personal only, according to the regulations for electrical and mechanical safety in your country.
- Check that the available voltage is not higher than the one stated on the unit.
- The power cord should always be in perfect condition. Switch the unit immediately off when the power cord is squashed or damaged. It must be replaced by the manufacturer, its service agent or similarly qualified persons in order to avoid a hazard.
- Never let the power-cord come into contact with other cables!
- This fixture must be earthed in order to comply with safety regulations.
- Don't connect the unit to any dimmer pack.
- Always use an appropriate and certified safety cable when installing the unit.
- In order to prevent electric shock, do not open the cover. There are no user serviceable parts inside.
- **Never** repair a fuse or bypass the fuse holder. **Always** replace a damaged fuse with a fuse of the same type and electrical specifications!
- In the event of serious operating problems, stop using the fixture and contact your dealer immediately.
- The housing and the lenses must be replaced if they are visibly damaged.
- Please use the original packing when the device is to be transported.

- Due to safety reasons it is prohibited to make unauthorized modifications to the unit.

Important: Never look directly into the light source! Don't use the effect in the presence of persons suffering from epilepsy.

DESCRIPTION:



1. **BRACKET:** with knobs on both sides to fasten the unit and a mounting hole to fix a mounting hook.
2. **DMX INPUT:** 3pin male XLR-connector used to connect the projector with the DMX controller or with the previous unit in the DMX chain.
3. **MAINS INPUT:** with ProCon socket, connect the supplied mains cable here.
4. **[MENU] button:** used to browse the different functions in the menu.
5. **[▲] button:** to increase the values shown on the display.
6. **[▼] button:** to lower the values shown on the display.
7. **[ENTER] button:** used to confirm your choice or to enter the setup mode of a function.
8. **M-DMX INPUT:** Please note that this USB-connector is NOT used for updates or to connect the unit to a PC! Instead this USB-connector makes it very easy to add wireless DMX to the unit! Just add the (optional) WTR-DMX DONGLE from BRITEQ® and you will get wireless DMX! Moreover you will be able to connect other DMX-controlled equipment to the DMX-output so you can share the wireless DMX function with all connected units! No extra settings to be made in the setup menu, just follow the procedure in the user manual supplied with the WTR-DMX DONGLE from BRITEQ®. *The separate WTR-DMX DONGLE is available from WWW.BRITEQ-LIGHTING.COM (order code: 4645)*
9. **MAINS OUTPUT:** with ProCon connector. You can use a special XLR/Powercon cable to connect up to max. 16A (power).
10. **DMX OUTPUT:** 3pin female XLR-connector used to connect the projector with the next unit in the DMX chain.
11. **DISPLAY** shows the various menus and the selected functions.

OVERHEAD RIGGING

- **Important:** The installation must be carried out by qualified service personal only. Improper installation can result in serious injuries and/or damage to property. Overhead rigging requires extensive experience! Working load limits should be respected, certified installation materials should be used, the installed device should be inspected regularly for safety.
- Make sure the area below the installation place is free from unwanted persons during rigging, de-rigging and servicing.
- The device should be installed out of reach of people and outside areas where persons may walk by or be seated.
- Before rigging make sure that the installation area can hold a minimum point load of 10times the device's weight.
- Always use a certified safety cable that can hold 12times the weight of the device when installing the unit. This secondary safety attachment should be installed in a way that no part of the installation can drop more than 20cm if the main attachment fails.
- The device should be well fixed; a free-swinging mounting is dangerous and may not be considered!
- Don't cover any ventilation openings as this may result in overheating.
- The operator has to make sure that the safety-relating and machine-technical installations are approved by an expert before using them for the first time. The installations should be inspected every year by a skilled person to be sure that safety is still optimal.

ELECTRICAL INSTALLATION

⚠ Important: The electrical installation should be carried out by qualified personal only, according to the regulations for electrical and mechanical safety in your country.

Electrical installation for 1 standalone unit:

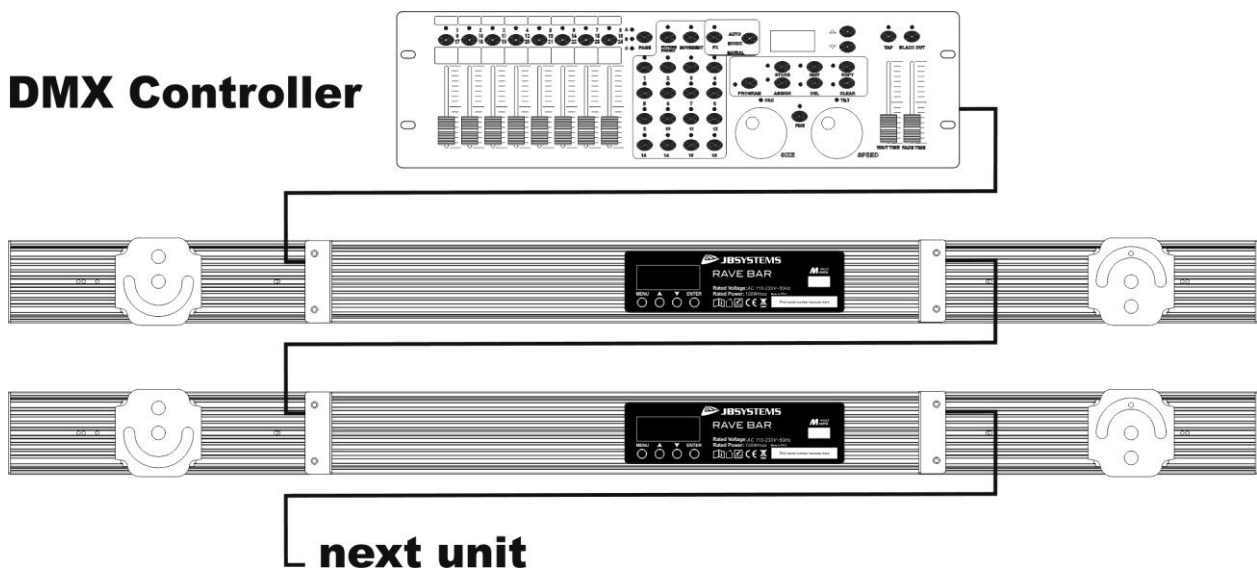
- Insert the mains cable. The unit starts working immediately in the last selected mode.
- Refer to chapter HOW TO SETUP to learn how to switch between the different working modes.

Electrical installation for two or more units in master/slave:

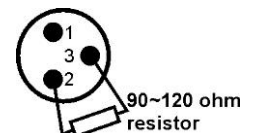
- Connect the units together using good quality balanced microphone cables. The unit that has no cable connected to its DMX-input is the “master”, the others are the slave units.
- Make sure that all units are connected to the mains.
- Refer to chapter HOW TO SETUP for more information.



Electrical installation for two or more units in DMX-mode:



- The DMX-protocol is a widely used high speed signal to control intelligent light equipment. You need to “daisy chain” your DMX controller and all the connected units with a good quality balanced cable.
- To prevent strange behavior of the light effects, due to interferences, you must use a 90Ω to 120Ω terminator at the end of the chain. Never use Y-splitter cables, this simply won't work!



- Make sure that all units are connected to the mains.
- Each light effect in the chain needs to have its proper start address so it knows which commands from the controller it has to decode. In the section HOW TO SETUP you will learn how to set the DMX addresses. Remember that each projector uses 2 channels, a possible address setup could be: unit1 = 001 ~ unit2 = 003 ~ unit3 = 005 ~ unit4 = 007 ~ etc.

HOW TO SETUP:

MAIN MENU:

- To select any of the menu options, press the [MENU] button up to when the required option is shown on the display.
- Use the [▼] and [▲] buttons to change the parameters of the mode.
- Use the [ENTER] button to confirm your setting

DMX512 Address + DMX mode + DMX fail mode Settings

Used to set the start address + the DMX mode in a DMX setup.

You can also set how the projector should react in case there would be a DMX signal failure.

- Press the [MENU] button until [Addr] is shown on the display.
- Use the [▼] and [▲] buttons to change the DMX512 address.
- Press the [ENTER] button to confirm your setting
- Use the [▼] and [▲] buttons to select the desired DMX mode (1ch, 2ch, 6ch, 34ch or 37ch mode).
- Press the [ENTER] button to confirm your setting
- Use the [▼] and [▲] buttons to select the desired DMX fail mode:
 - [bLC]: when the signal is lost, the projector will go in Blackout mode (no light output)
 - [HOLd]: when the signal is lost, the projector will keep on working according to its last received command.
- Press the [ENTER] button to confirm your setting

SLAVE MODE

When you have one projector working in standalone mode (without DMX controller), you can connect other Rave Bars to this unit and put them in SLAVE mode so they will do exactly the same things as the first (master) projector.

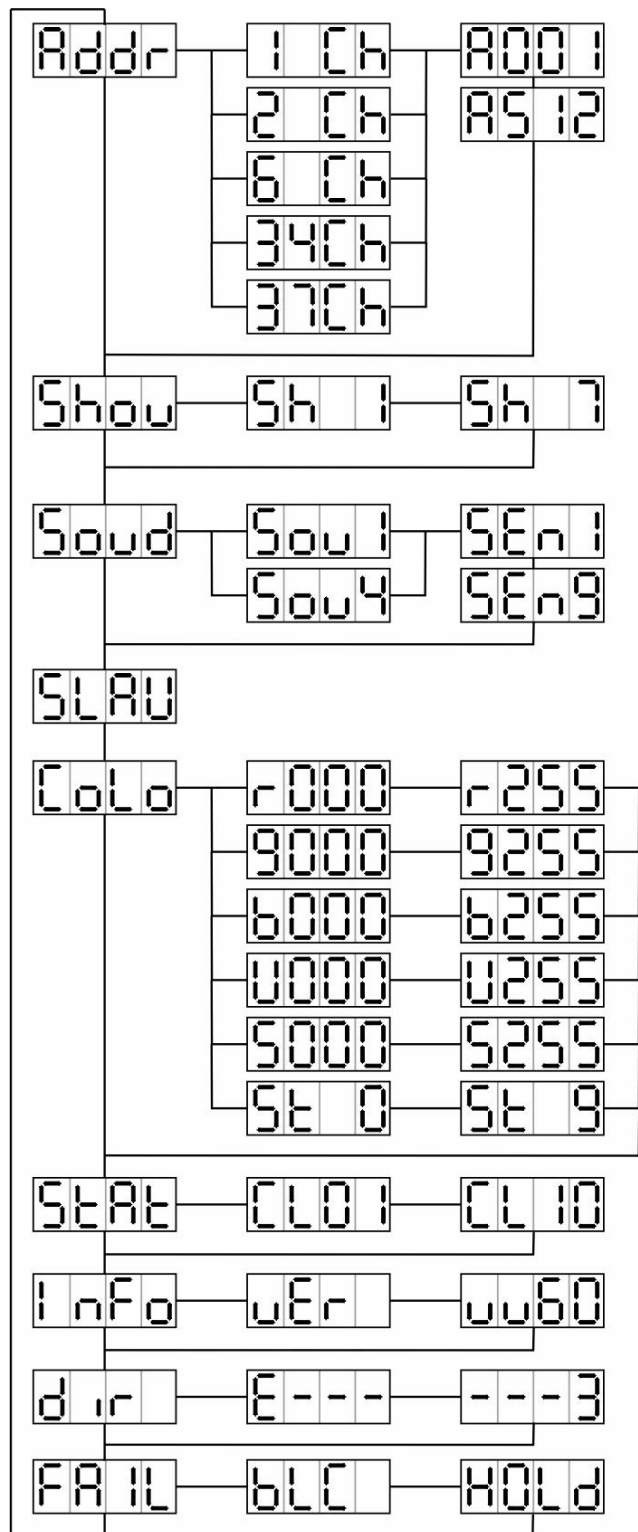
- To put a projector in SLAVE mode, just press the [MENU] button until SLAU is shown on the display.
- Press the [ENTER] button to confirm your setting

STANDALONE MODE:

You can use the projector without DMX controller and set the desired parameters manually.

1. FIXED DIMMER LEVEL AND STROBE SPEED

- Press the [MENU] button until [CoLo] is shown on the display.
- Press [ENTER] to confirm your choice.



- Use the [▼] and [▲] buttons to set the intensity of the light output for the selected color (00=blackout, 255=max. output).
 - [r000 – r255] : red
 - [g000 – g255] : green
 - [b000 – b255] : blue
 - [u000 – u255] : 14 x 3W warm white LEDs
 - [S000 – S255] : 180 cool white SMD LEDs
 - [St_0 – St_9] : strobe speed ALL LEDs
- Press the [ENTER] button to confirm your setting

2. SOUND MODE

Used to set the automatic Sound Controlled Mode.

- Press the [MENU] button until **[Soud]** is shown on the display.
- Use the [▼] and [▲] buttons to set the desired sound mode [Sou1 – Sou4]
- Press [ENTER] to confirm your setting.
- [SEn1 – Sen9] : sensitivity of the build-in microphone ([Sen1]=low sensitivity, [SEn9]=high sensitivity).
- Press [ENTER] to confirm your setting.

OPERATING INSTRUCTIONS

A. Standalone 1unit:

- Just connect the projector to the mains.
- Select the desired STANDALONE MODE ([Shou – Soud – Colo – StAt])
- Refer to chapter HOW TO SETUP to learn how to make the settings.

B. Two or more units in master/slave setup:

- Connect several units together. Refer to the chapter “electrical installation” to learn how to do this.
- Select one of the STANDALONE MODES on the master (the first Rave Bar in the DMX chain)
- Set all the other projectors in SLAVE mode.
- The projectors will now follow the program of the master projector so they all work synchronously.

C. Controlled by universal DMX-controller:

- Connect all units together. Refer to the chapter “Electrical installation for two or more units in DMX-mode” to learn how to do this (don’t forget to address all units properly!)
- Connect all units to the mains and turn on the DMX controller.

Since each unit has its own DMX-address, you can control them individually. Remember that each unit uses 1, 2, 6, 34 or 37 DMX-channels, depending on the DMX-mode you have selected in the menu. See the different DMX charts below:

DMX Charts

1CH Mode :

DMX Channel	DMX-value	function	remarks
1	000-009	No function	
	010-044	Auto program 1	Random, slow->fast
	045-079	Auto program 2	14x3W WW + RGB, slow->fast
	080-114	Auto program 3	14x3W WW + 180xCW, slow->fast
	115-149	Auto program 4	RGB + 180xCW, slow->fast
	150-184	Auto program 5	14x3W WW, slow->fast
	185-219	Auto program 6	RGB, slow->fast
	220-254	Auto program 7	180xCW, slow->fast
	255	Sound mode	

2CH Mode :

DMX Channel	DMX-value	function	remarks
1	000-009	No function	
	010-044	Auto program 1	Random, slow->fast
	045-079	Auto program 2	14x3W WW + RGB, slow->fast
	080-114	Auto program 3	14x3W WW + 180xCW, slow->fast
	115-149	Auto program 4	RGB + 180xCW, slow->fast
	150-184	Auto program 5	14x3W WW, slow->fast
	185-219	Auto program 6	RGB, slow->fast
	220-254	Auto program 7	180xCW, slow->fast
	255	Sound mode	
2	000-255	Speed	Program 1-7, slow->fast

6CH Mode :

DMX Channel	DMX-value	function	remarks
1	000-255	Dimmer	
2	000-009	14x3W WW LEDs OFF	
	010-019	14x3W WW LEDs ON	
	020-029	14x3W WW program 1	
	030-039	14x3W WW program 2	
	040-049	14x3W WW program 3	
	050-239	...	
	240-255	14x3W WW program 23	
3	000-009	RGB LEDs OFF	
	010-021	Static color 1	
	022-033	Static color 2	
	034-045	Static color 3	
	046-057	Static color 4	
	058-069	Static color 5	
	070-081	Static color 6	
	082-093	Static color 7	
	094-105	Static color 8	
	106-117	Static color 9	
	118-129	Static color 10	
	130-141	RGB LEDs program 1	
	142-153	RGB LEDs program 2	
	154-165	RGB LEDs program 3	
	166-177	RGB LEDs program 4	
178-189	RGB LEDs program 5		
190-201	RGB LEDs program 6		

	202-213	RGB LEDs program 7	
	214-225	RGB LEDs program 8	
	226-237	RGB LEDs program 9	
	238-249	RGB LEDs program 10	
	250-255	RGB LEDs program 11	
4	000-009	CW LEDs OFF	
	010-027	CW LEDs ON	
	028-045	CW LEDs program 1	
	046-063	CW LEDs program 2	
	064-243	...	
	244-255	CW LEDs program 13	
5	000-255	Speed	Slow->fast
6	000-009	No function	
	010-255	Strobe	

34CH/37CH Mode :

DMX Channel	DMX-value	function	remarks
1	000-255	3W WW LED1	
2	000-255	3W WW LED2	
3	000-255	3W WW LED3	
4	000-255	3W WW LED4	
5	000-255	3W WW LED5	
6	000-255	3W WW LED6	
7	000-255	3W WW LED7	
8	000-255	3W WW LED8	
9	000-255	3W WW LED9	
10	000-255	3W WW LED10	
11	000-255	3W WW LED11	
12	000-255	3W WW LED12	
13	000-255	3W WW LED13	
14	000-255	3W WW LED14	
15	000-255	RGB-1 RED	
16	000-255	RGB-1 GREEN	
17	000-255	RGB-1 BLUE	
18	000-255	RGB-2 RED	
19	000-255	RGB-2 GREEN	
20	000-255	RGB-2 BLUE	
21	000-255	RGB-3 RED	
22	000-255	RGB-3 GREEN	
23	000-255	RGB-3 BLUE	
24	000-255	RGB-4 RED	
25	000-255	RGB-4 GREEN	

26	000-255	RGB-4 BLUE	
27	000-255	RGB-5 RED	
28	000-255	RGB-5 GREEN	
29	000-255	RGB-5 BLUE	
30	000-255	CW LED - 1	
31	000-255	CW LED - 2	
32	000-255	CW LED - 3	
33	000-255	CW LED - 4	
34	000-255	CW LED - 5	
35	000-009	No function	
	010-044	Auto program 1	Random, slow->fast
	045-079	Auto program 2	14x3W WW + RGB, slow->fast
	080-114	Auto program 3	14x3W WW + 180xCW, slow->fast
	115-149	Auto program 4	RGB + 180xCW, slow->fast
	150-184	Auto program 5	14x3W WW, slow->fast
	185-219	Auto program 6	RGB, slow->fast
	220-254	Auto program 7	180xCW, slow->fast
	255	Sound mode	
36	000-255	Speed	Program 1-7, slow->fast
37	000-009	No function	
	010-255	Strobe	Slow->fast

MAINTENANCE

- Make sure the area below the installation place is free from unwanted persons during servicing.
- Switch off the unit, unplug the mains cable and wait until the unit has been cooled down.

During inspection the following points should be checked:

- All screws used for installing the device and any of its parts should be tightly fastened and may not be corroded.
- Housings, fixations and installations spots (ceiling, truss, suspensions) should be totally free from any deformation.
- When an optical lens is visibly damaged due to cracks or deep scratches, it must be replaced.
- The mains cables must be in impeccable condition and should be replaced immediately when even a small problem is detected.
- In order to protect the device from overheat the cooling fans (if any) and ventilation openings should be cleaned monthly.
- The interior of the device should be cleaned annually using a vacuum cleaner or air-jet.
- The cleaning of internal and external optical lenses and/or mirrors must be carried out periodically to optimize light output. Cleaning frequency depends on the environment in which the fixture operates: damp, smoky or particularly dirty surroundings can cause greater accumulation of dirt on the unit's optics.
 - Clean with a soft cloth using normal glass cleaning products.
 - Always dry the parts carefully.

Attention: We strongly recommend internal cleaning to be carried out by qualified personnel!

SPECIFICATIONS

This unit is radio-interference suppressed. This product meets the requirements of the current European and national guidelines. Conformity has been established and the relevant statements and documents have been deposited by the manufacturer.

This device was designed to produce decorative effect lighting and is used in light show systems.

Mains Input:	110-240Vac, 50/60Hz
Power consumption:	100 Watt
Sound Control:	Internal microphone
DMX connections:	XLR 3pin
DMX modes:	1/2/6/34/37 channels
LEDs:	14x3W warm white, 120xSMD RGB, 180xSMD Cool White
Dimensions:	1002x67x122mm
Weight:	3,86 kg

All the information is subject to change without prior notice

You can download the latest version of this user manual on our website: www.jb-systems.eu



JB SYSTEMS

MAILING LIST

EN: Subscribe today to our mailing list for the latest product news!

FR: Inscrivez-vous à notre liste de distribution si vous souhaitez suivre l'actualité de nos produits!

NL: Abonneer je vandaag nog op onze mailinglijst en ontvang ons laatste product nieuws!

DE: Abonnieren Sie unseren Newsletter und erhalten Sie aktuelle Produktinformationen!

ES: Suscríbete hoy a nuestra lista de correo para recibir las últimas noticias!

PT: Inscreva-se hoje na nossa mailing list para estar a par das últimas notícias!

WWW.JB-SYSTEMS.EU

Copyright © 2019 by BEGLEC NV

t Hofveld 2C ~ B1702 Groot-Bijgaarden ~ Belgium

Reproduction or publication of the content in any manner, without express permission of the publisher, is prohibited.