

4PRO 1031-A

ACTIVE TWO-WAY SPEAKER

DESCRIPTION

The 4PRO 1031-A is a two-way active bass reflex loudspeaker offering extraordinary compact size, high output and vocal fidelity. It provides low distortion and consistent polar response in a flyable lightweight enclosure. The 4PRO 1031-A comprises a 10" woofer and a 1.4" voice coil compression driver that is mounted to a 90° x 60° constant directivity horn.



FEATURES

- 800 WATT PEAK, 400 WATT RMS
- 127 dB max spl
- 90 x 60, Wide dispersion constant directivity horn
- 10" woofer, 2" voice coil
- 1" HF driver, 1.4" voice coil

TECHNICAL SPECIFICATIONS

Acoustical specifications	Frequency Response:	50 Hz ÷ 20000 Hz
	Max SPL @ 1m:	127 dB
	Horizontal coverage angle:	90°
	Vertical coverage angle:	60°
Transducers	Compression Driver:	1.0", 1.4" v.c
	Woofers:	10", 2.0" v.c
Input/Output section	Input signal:	bal/unbal
	Input connectors:	Combo XLR/Jack
	Output connectors:	XLR
	Input sensitivity:	-2 dBu/+4 dBu
Processor section	Crossover Frequencies:	1800 Hz
	Protections:	Thermal, RMS
	Limiter:	Fast Limiter
	Controls:	Volume, EQ Shape, Mic/Line
Power section	Total Power:	800 W Peak, 400 W RMS
	High frequencies:	200 W Peak, 100 W RMS
	Low frequencies:	600 W Peak, 300 W RMS
	Cooling:	Convection
	Connections:	VDE
Standard compliance	CE marking:	Yes
Physical specifications	Cabinet/Case Material:	Baltic birch plywood
	Hardware:	3 x Flytracks
	Handles:	1 Side
	Pole mount/Cap:	Yes
	Color:	Black
Size	Height:	539 mm / 21.22 inches
	Width:	320 mm / 12.6 inches
	Depth:	320 mm / 12.6 inches
	Weight:	17.5 kg / 38.58 lbs
Shipping informations	Package Height:	577 mm / 22.72 inches
	Package Width:	374 mm / 14.72 inches
	Package Depth:	374 mm / 14.72 inches
	Package Weight:	20.5 kg / 45.19 lbs



PART NUMBER

• **13000371**

4PRO 1031-A

115V

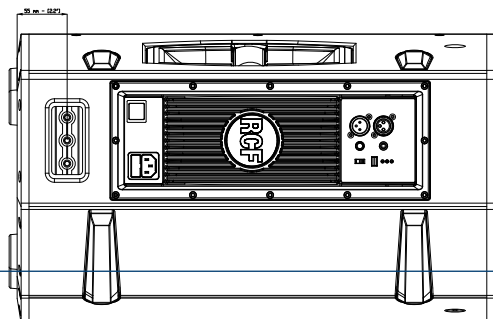
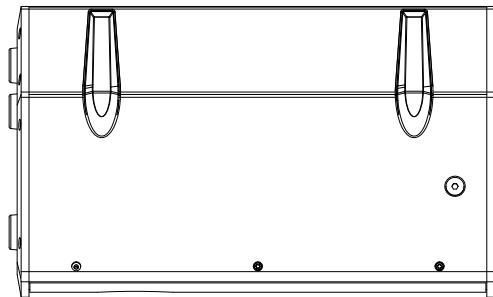
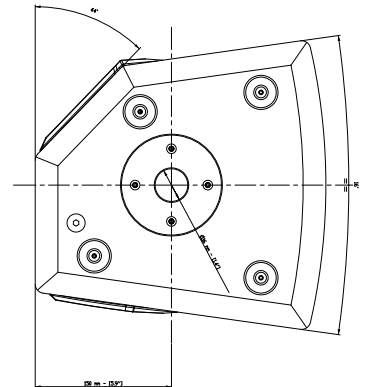
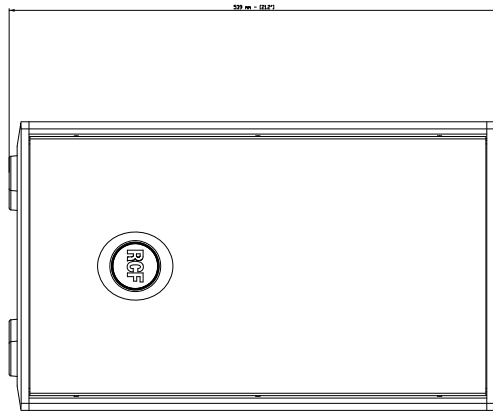
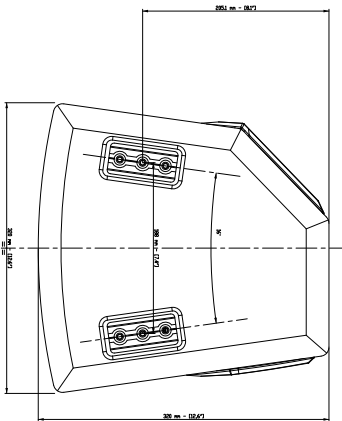
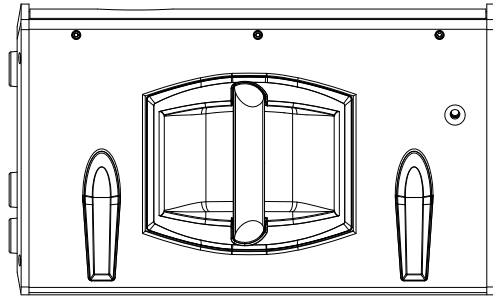
EAN 8024530009847

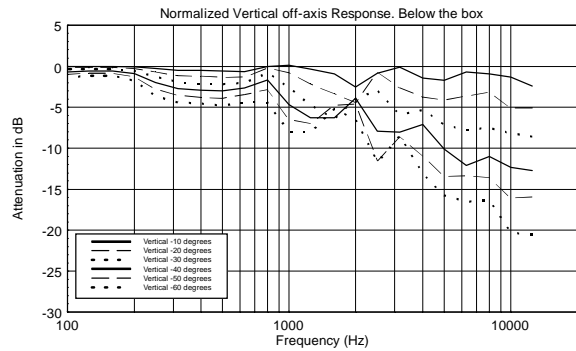
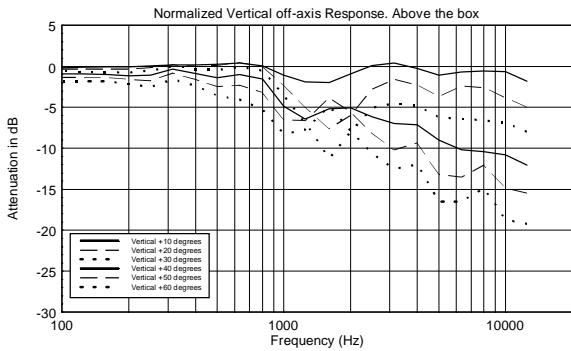
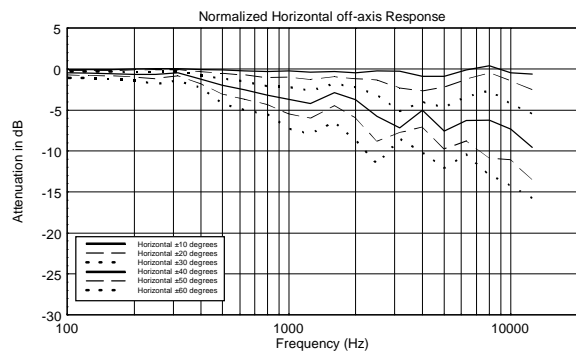
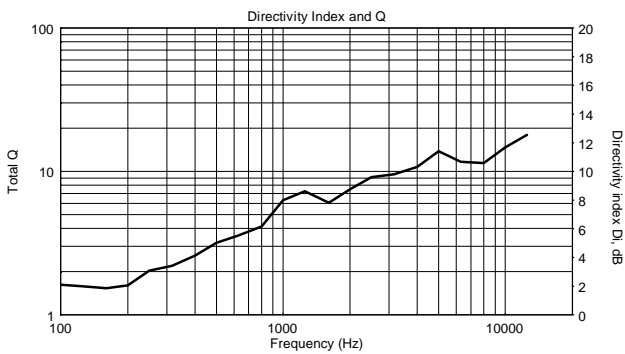
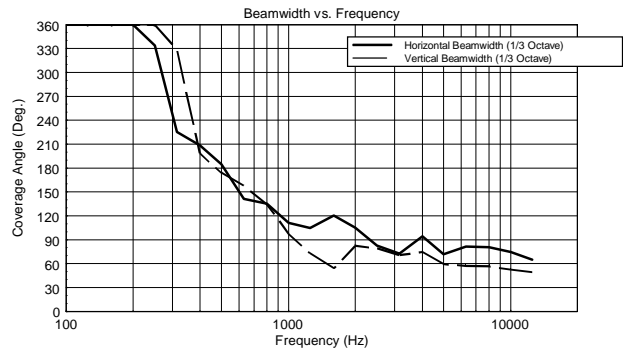
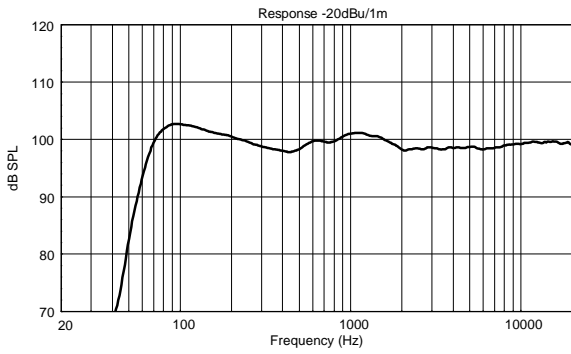
• **13000370**

4PRO 1031-A

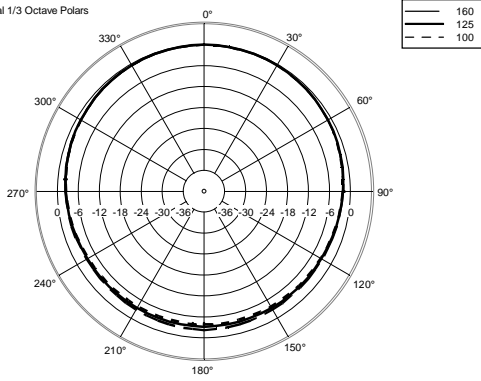
220-240V

EAN 8024530009830

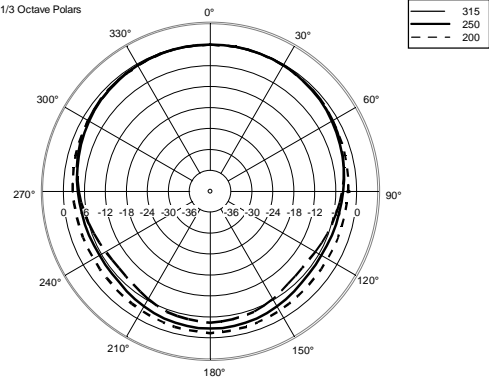




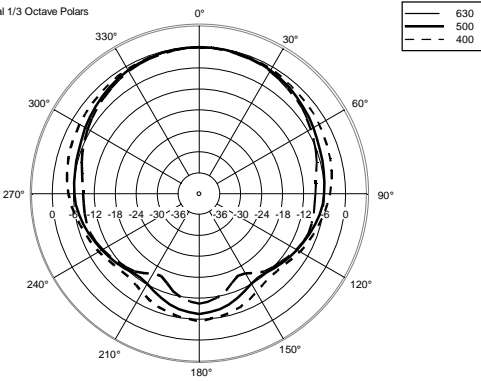
Horizontal 1/3 Octave Polars



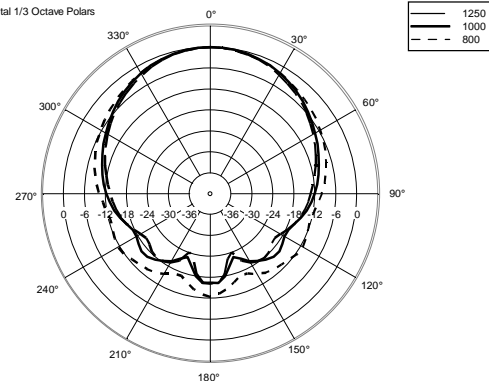
Horizontal 1/3 Octave Polars



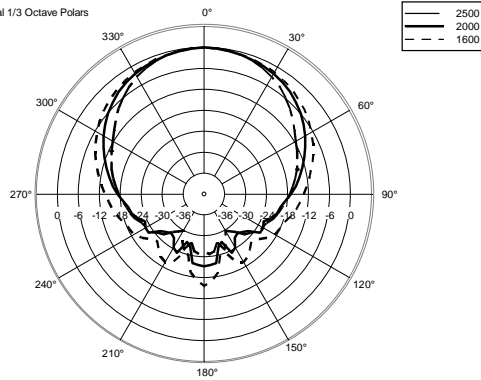
Horizontal 1/3 Octave Polars



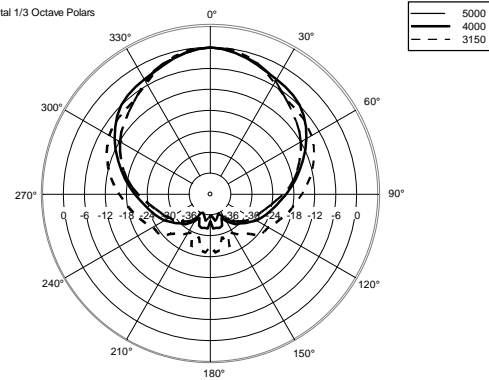
Horizontal 1/3 Octave Polars



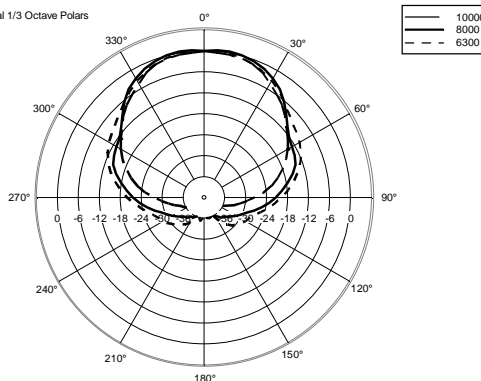
Horizontal 1/3 Octave Polars



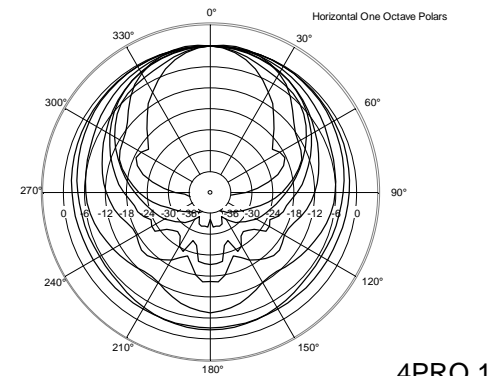
Horizontal 1/3 Octave Polars

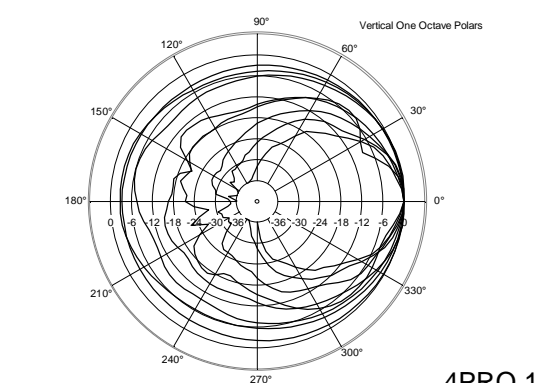
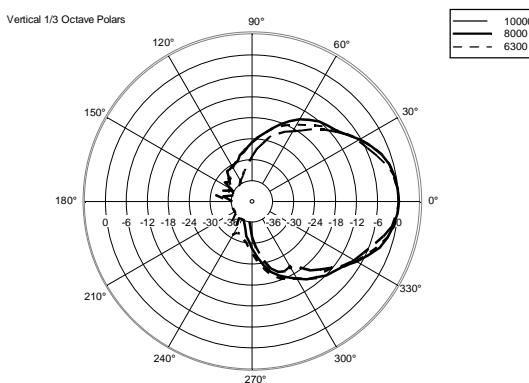
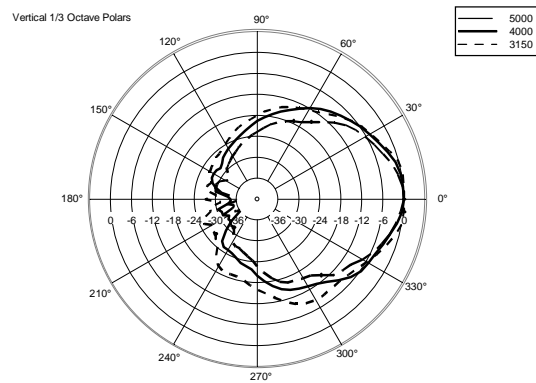
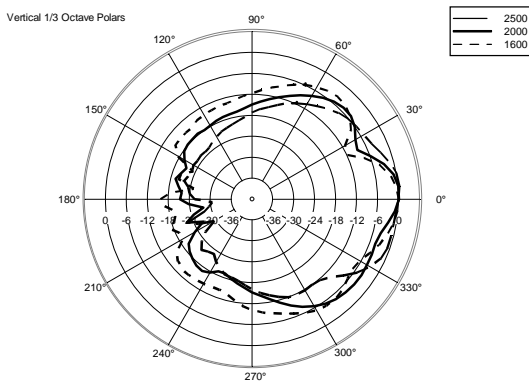
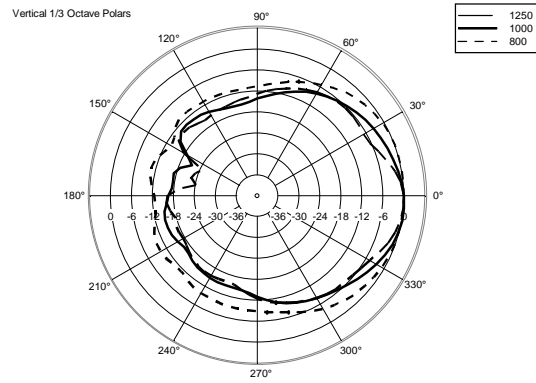
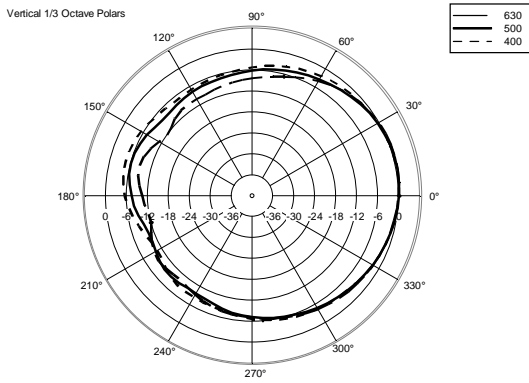
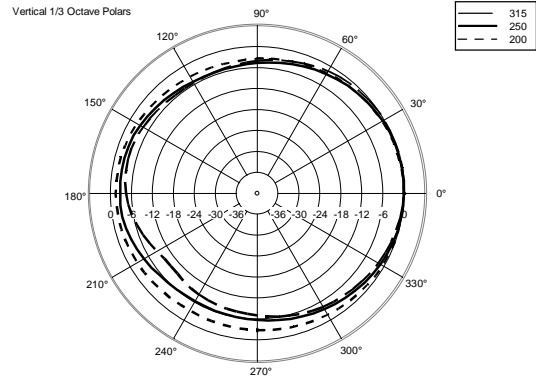
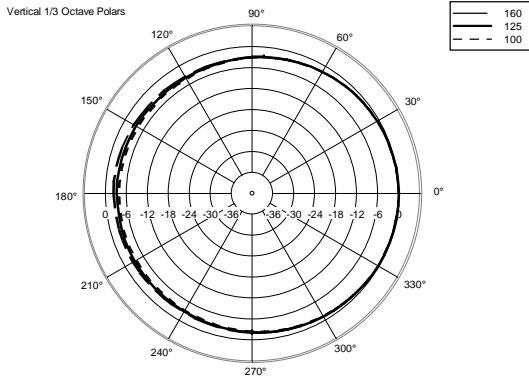


Horizontal 1/3 Octave Polars



Horizontal One Octave Polars





ACCESSORIES

AC PMA - POLE MOUNT

PART NUMBER **13360034**
EAN: 8024530007713

AC PM-M20

PART NUMBER **13360067**
EAN: 8024530014599

AC PMX POLE MOUNT M20

PART NUMBER **13360232**
EAN: 8024530010058

AC PRO-FS PROFESS. LOCKING FLOOR STAND

PART NUMBER **13360109**
EAN: 8024530006471

AC PRO-PM PROFESS. LOCKING POLE MOUNT

PART NUMBER **13360110**
EAN: 8024530006488

AC XLR-3M3F XLR CONN. 3MALE3FEMALEXCABLE

PART NUMBER **13360102**
EAN: 8024530006402

DOUBLE STUD 4X

PART NUMBER **13360030**
EAN: