

# M 601

## TWO-WAY PASSIVE SPEAKER

### DESCRIPTION

M 601 is a multipurpose two-way full-range speaker system, suitable in a wide range of installations. The compactness, together with the elegant and neutral design with accurate finishing makes M 601 suitable for almost any environment and architectural constraint. Available mounting accessories allow you to use the M 601 wall or ceiling mounted, with reference to the several possible applications.

The M 601 has a controlled dispersion and delivers undistorted SPL value above any expectation from such a compact speaker system. The M 601 features high sensitivity thanks to the use of oversized magnets and a comfortable sound quality with smooth and wide frequency response performed thanks to the Kapton diaphragm compression driver loaded on a constant directivity horn. The LICC crossover design includes an electronic protection on high frequency device.



### FEATURES

- High Quality 2-way passive loudspeaker
- 1 x 6.5" woofer, vented
- 1 x 1" in driver, on 90°x90° CD horn
- High Power Handling 'Low Impedance Compensated Crossover', with electronic protection for the driver
- 100W AES power handling
- Steel Front Grille with robust double mesh polyester clothing
- Rotatable RCF front logo
- Installation points are available on the rear panel, top and bottom
- All models have a 4-pin EUROBLOCK connector (audio input and parallel link output)

## TECHNICAL SPECIFICATIONS

<b>Acoustical specifications</b>	Frequency Response (-10dB):	80 Hz ÷ 20000 Hz
	Max SPL @ 1m:	118 dB
	Horizontal coverage angle:	90°
	Vertical coverage angle:	90°
	Directivity index Q:	10
	System Sensitivity:	92 dB
<b>Power section</b>	Nominal Impedance (ohm):	8 ohm
	Power Handling:	100 W RMS
	Peak Power Handling:	400 W PEAK
	Recommended Amplifier:	200 W
	Protections:	Dynamic active mosfet
	Crossover Frequencies:	2200 Hz
<b>Transducers</b>	Compression Driver:	1.0", 1.5" v.c
	Nominal Impedance (ohm):	8 ohm
	Input Power Rating:	25 W AES, 50 W PEAK
	Sensitivity:	106 dB, 1W @ 1m
	Woofer:	6.5", 1.2" v.c
	Nominal Impedance (ohm):	8 ohm
	Input Power Rating:	80 W AES, 160 W PEAK
Sensitivity:	92 dB, 1W @ 1m	
<b>Input/Output section</b>	Input connectors:	Euroblock
	Output connectors:	Euroblock
<b>Standard compliance</b>	CE marking:	Yes
<b>Physical specifications</b>	Cabinet/Case Material:	MDF
	Hardware:	6 x M6, 2 x M10
	Grille:	Steel with robust double mesh polyester clothing
	Color:	Black
<b>Size</b>	Height:	359 mm / 14.13 inches
	Width:	215 mm / 8.46 inches
	Depth:	230 mm / 9.06 inches
	Weight:	7.2 kg / 15.87 lbs
<b>Shipping informations</b>	Package Height:	440 mm / 17.32 inches
	Package Width:	302 mm / 11.89 inches
	Package Depth:	287 mm / 11.3 inches
	Package Weight:	8 kg / 17.64 lbs



**PART NUMBER**

• **13041024**

M 601 W

White

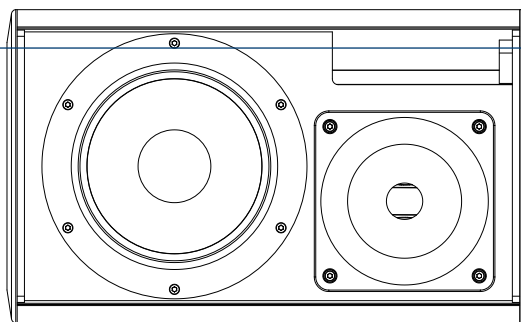
EAN 8024530011109

• **13041003**

M 601

Black

EAN 8024530007546



M601

359 [14.13"]

