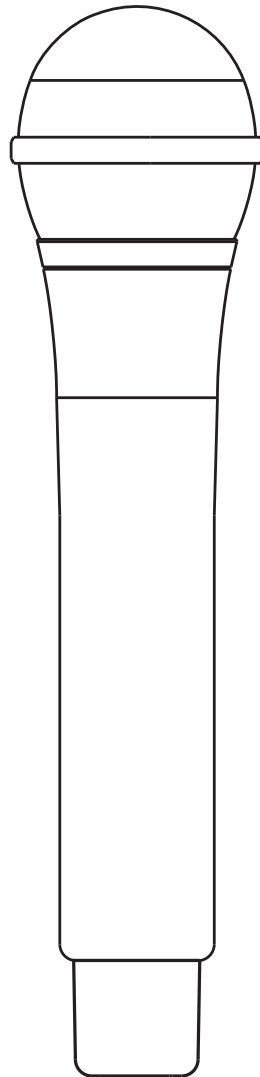
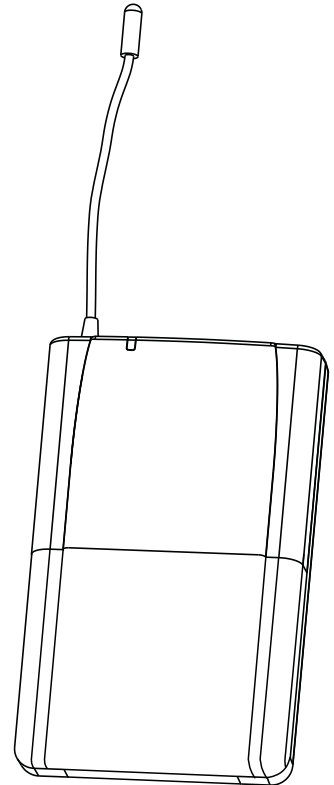


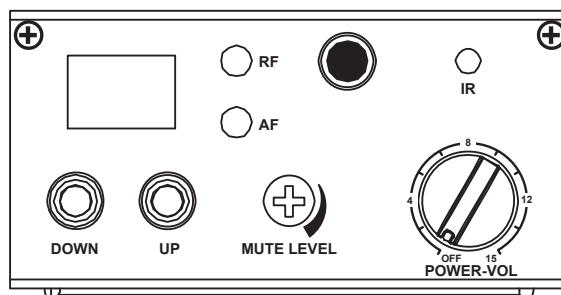
Ant F5



Emet-Hand F5



Emet-Body F5



Recept F5

1 - Safety information

Important safety information



This unit is intended for indoor use only. Do not use it in a wet, or extremely cold/hot locations. Failure to follow these safety instructions could result in fire, electric shock, injury, or damage to this product or other property.



Any maintenance procedure must be performed by a CONTEST authorised technical service. Basic cleaning operations must thoroughly follow our safety instructions.



This product contains non-isolated electrical components. Do not undertake any maintenance operation when it is switched on as it may result in electric shock.

Symbols used



This symbol signals an important safety precaution.



The WARNING symbol signals a risk to the user's physical integrity. The product may also be damaged.



The CAUTION symbol signals a risk of product deterioration.

Instructions and recommendations

1 - Please read carefully :

We strongly recommend to read carefully and understand the safety instructions before attempting to operate this unit.

2 - Please keep this manual :

We strongly recommend to keep this manual with the unit for future reference.

3 - Operate carefully this product :

We strongly recommend to take into consideration every safety instruction.

4 - Follow the instructions:

Please carefully follow each safety instruction to avoid any physical harm or property damage.

5 - Avoid water and wet locations :

Do not use this product in rain, or near washbasins or other wet locations.

6 - Installation :

We strongly encourage you to only use a fixation system or support recommended by the manufacturer or supplied with this product. Carefully follow the installation instructions and use the adequate tools.

Always ensure this unit is firmly fixed to avoid vibration and slipping while operating as it may result in physical injury.

7 - Ceiling or wall installation :

Please contact your local dealer before attempting any ceiling or wall installation.

8 - Ventilation :

The cooling vents ensure a safe use of this product, and avoid any overheating risk. Do not obstruct or cover these vents as it may result in overheating and potential physical injury or product damage. This product should never be operated in a closed non-ventilated area such as a flight case or a rack, unless cooling vents are provided for the purpose .

9 - Heat exposure :

Sustained contact or proximity with warm surfaces may cause overheating and product damages. Please keep this product away from any heat source such as a heaters, amplifiers, hot plates, etc...

CAUTION

RISK OF ELECTRIC SHOCK

DO NOT OPEN

WARNING : This unit contains no user-serviceable parts. Do not open the housing or attempt any maintenance by yourself. In the unlikely even your unit may require service, please contact your nearest dealer.
In order to avoid any electrical malfunction, please do not use any multi-socket, power cord extension or connecting system without making sure they are perfectly isolated and present no defect.

Sound levels

Our audio solutions deliver important sound pressure levels (SPL) that can be harmful to human health when exposed during long periods. Please do not stay in close proximity of operating speakers.

Recycling your device

- As HITMUSIC is really involved in the environmental cause, we only commercialise clean, ROHS compliant products.
- When this product reaches its end of life, take it to a collection point designated by local authorities. The separate collection and recycling of your product at the time of disposal will help conserve natural resources and ensure that it is recycled in a manner that protects human health and the environment.

10 - Electric power supply :

This product can only be operated according to a very specific voltage. These information are specified on the label located at the rear of the product.

11 - Power cords protection:

Power-supply cords should be routed so that they are not likely to be walked on or pinched by items placed upon or against them, paying particular attention to cords at lugs, convenience receptacles and the point where they exit from the fixture.

12 - Cleaning precautions :

Unplug the product before attempting any cleaning operation. This product should be cleaned only with accessories recommended by the manufacturer. Use a damp cloth to clean the surface. Do not wash this product.

13 - Long periods of non use :

Disconnect the unit's main power during long periods of non use.

14 - Liquids or objects penetration :

Do not let any object penetrate this product as it may result in electric shock or fire. Never spill any liquid on this product as it may infiltrate the electronic components and result in electric shock or fire.

15 - This product should be serviced when :

Please contact the qualified service personnel if :

- The power cord or the plug has been damaged.
- Objects have fallen or liquid has been spilled into the appliance.
- The appliance has been exposed to rain or water.
- The product does not appear to operate normally.
- The product has been damaged.

16 - Inspection/maintenance :

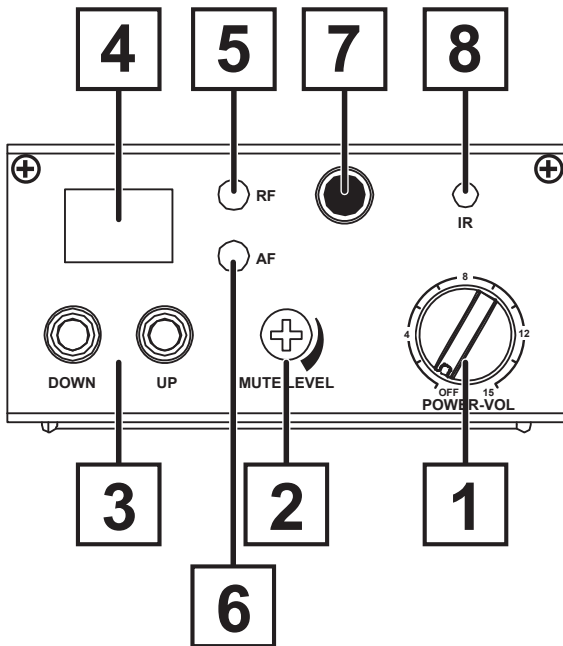
Please do not attempt any inspection or maintenance by yourself. Refer all servicing to qualified personnel.

17 - Operating environment :

Ambient temperature and humidity: +5 - +35°C, relative humidity must be less than 85% (when cooling vents are not obstructed).

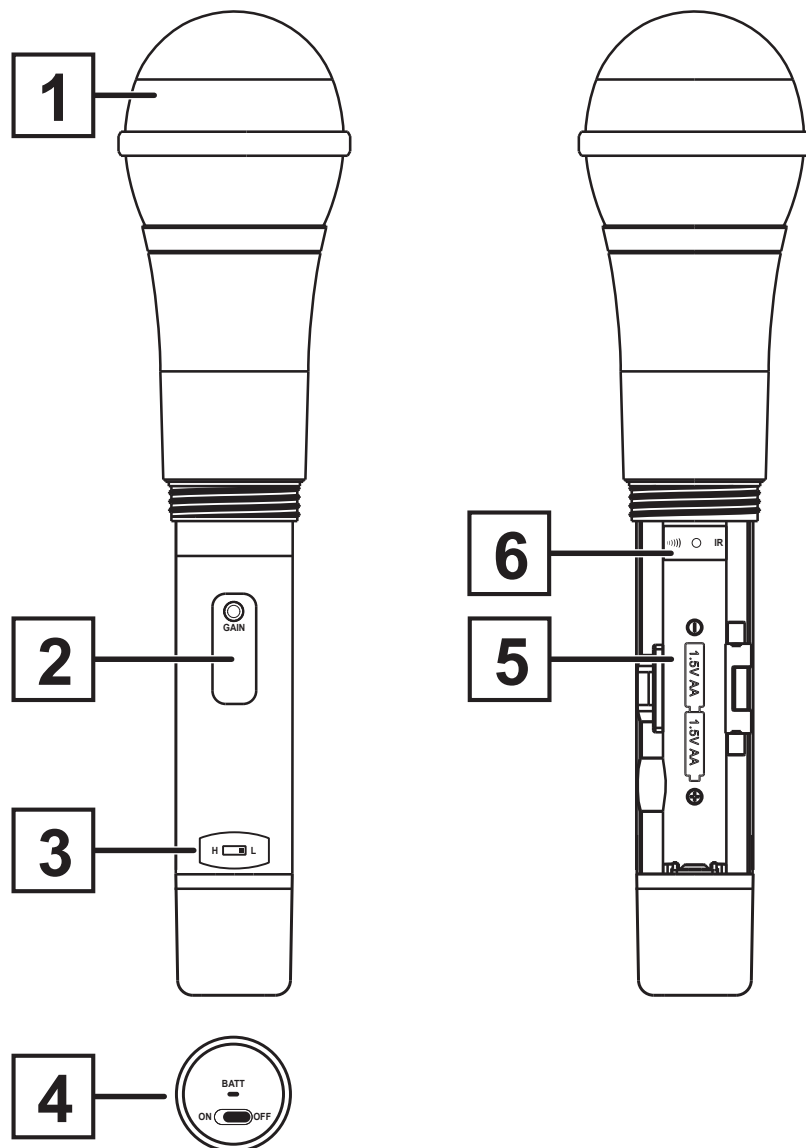
Do not operate this product in a non-ventilated, very humid or warm place.

2 - Recept F5



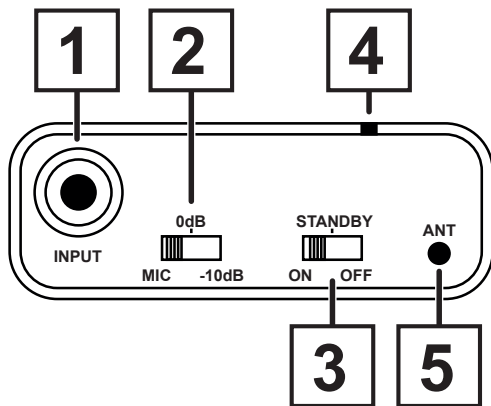
- 1 - Volume control fader for the HF module. From OFF to full power (clockwise).
- 2 - Squelch control fader: allows you to configure the threshold in case of HF signal interruption. The factory settings do not require any modification.
- 3 - Channel selection: allow you to browse through the 16 available channels.
- 4 - Channel display.
- 5 - Radio Frequency indicator: this indicator is lit in red when the emitting mic is ON.
- 6 - Audio Frequency indicator: this indicator is lit in green when a signal is being received.
- 7 - ASC (Auto Synchro Connection) button: allows you to synchronise a channel between the transmitter and receiver. Select a channel (from 1 - 16), press the ASC button and put the IR diode of your mic in front of the IR diode of your receiver.
- 8 - IR diode. Allows you to synchronise your mic with the receiver.

3 - Emet-Hand F5



- 1 - Grille: Protects the capsule.
- 2 - Gain control: Allows you to configure the microphone sensitivity. The factory settings are optimal, but you can increase/decrease the sensitivity by turning it to the left (decreases) or right (increases).
- 3 - Radio frequency output level selector. H for a strong signal, L for a lower signal. Allows you to increase the range of your microphone.
- 4 - Battery level indicator and ON/OFF power switch.
 - The indicator flashes in red when the batteries are discharged.
 - The indicator flashes in red when the ASC function is activated.
- 5 - Batteries compartment: LR06 x 2. Please make sure you keep the same polarities if need to replace the batteries.
- 6 - Synchronisation IR diode. The ASC (Auto Synchro Connection) function allows you to synchronise a chosen channel between the transmitting microphone and the receiver via infrared transmission.
To do so, select a channel (from 1-16) on the receiver. Press the ASC button and put the IR diode of your microphone in front of the IR diode (#9) of the receiver.

4 - Emet-Body F5



1 - Jack 3.5 input to connect the microphone

2 - Input level selector. MIC is the standard configuration for the headband microphone. You can switch to the 0dB or -10dB positions if you want to use another type of microphone.

3 - ON/STANDBY/OFF power switch. The middle position allows you to cut the microphone without interrupting the HF signal.

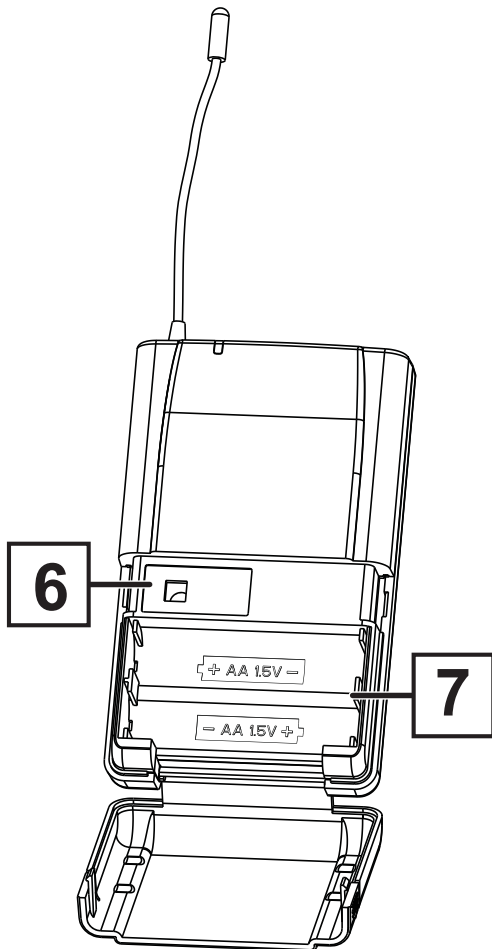
4 - Battery level indicator.

- The indicator flashes in red when the batteries are discharged.
- The indicator flashes in red when the ASC function is activated.

5 - Flexible antenna.

6 - Synchronisation IR diode. The ASC (Auto Synchro Connection) function allows you to synchronise a chosen channel between the transmitting microphone and the receiver via infrared transmission. To do so, select a channel (from 1-16) on the receiver. Press the ASC button and put the IR diode of your microphone in front of the IR diode (#9) of the receiver

7 - Batteries compartment: LR06 x 2. Please make sure you keep the same polarities if need to replace the batteries.



5 - Frequencies List

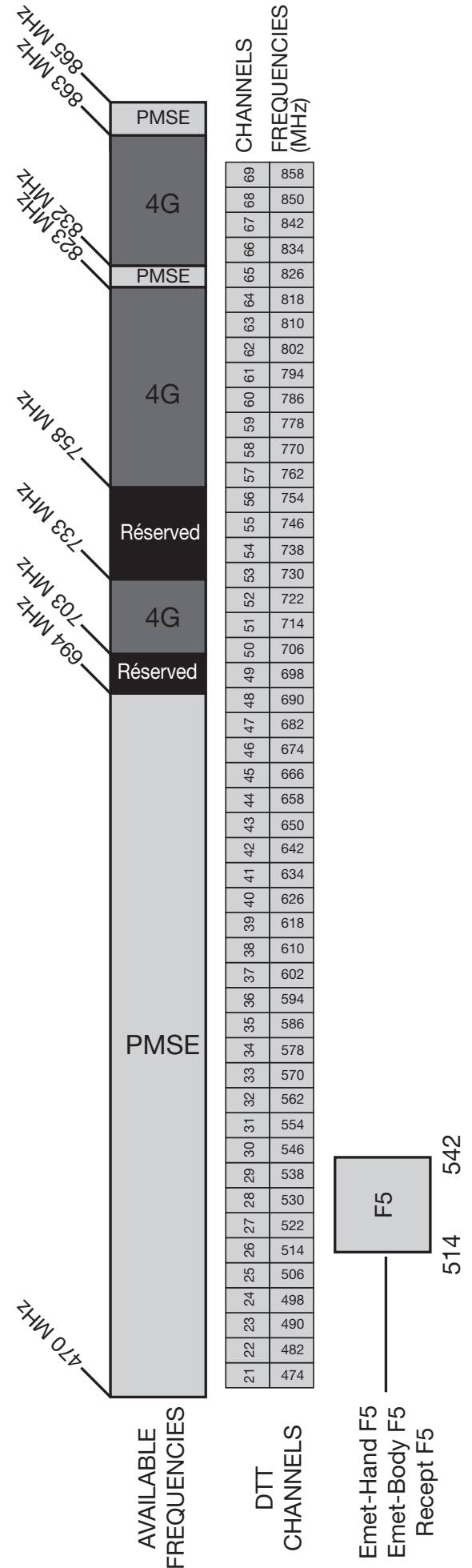
Canal 1	514.000 MHz
Canal 2	515.500 MHz
Canal 3	517.000 MHz
Canal 4	518.750 MHz
Canal 5	520.500 MHz
Canal 6	522,250 MHz
Canal 7	524.000 MHz
Canal 8	525.750 MHz
Canal 9	526,750 MHz
Canal 10	529.000 MHz
Canal 11	531.500 MHz
Canal 12	533.750 MHz
Canal 13	534.750 MHz
Canal 14	537.000 MHz
Canal 15	539.500 MHz
Canal 16	541.750 MHz

The authorised frequency bands can thus be used "freely" by PMSE equipment, i.e. without the need for prior individual authorisation, but subject to compliance with the technical parameters laid down.

In these circumstances, users of ancillary sound programme design and broadcasting equipment shall not be subject to the payment of fees. However, they must not interfere with other uses of frequencies, and are not protected against interference.

Please check your local services authorised to be sure that you can use the frequencies range of your system.

PMSE : Program Making and Special Event



Because AUDIOPHONY® takes the utmost care in its products to make sure you only get the best possible quality, our products are subjects to modifications without prior notice. That is why technical specifications and the products physical configuration might differ from the illustrations.

Make sure you get the latest news and updates about the AUDIOPHONY® products on www.audiophony.com
AUDIOPHONY® is a trademark of HITMUSIC S.A.S - Zone Cahors sud - 46230 FONTANES - FRANCE