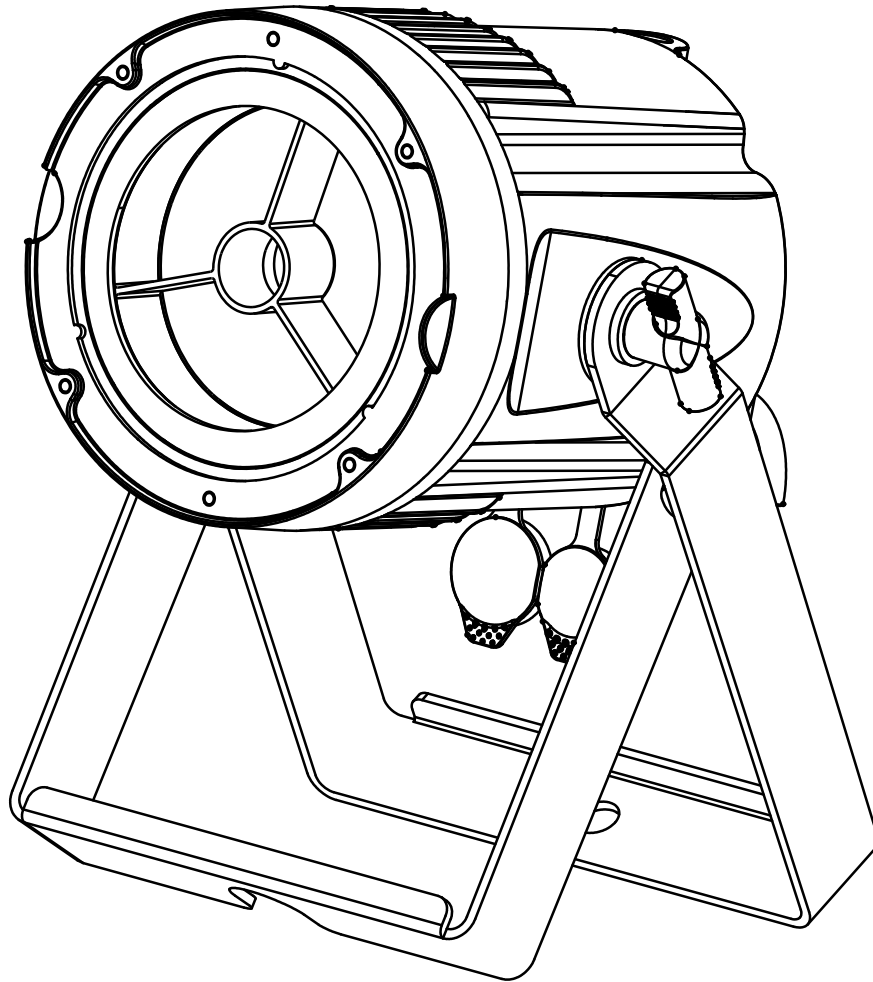


BT-NONAPIXEL ***WHITE***



ENGLISH

Operation Manual

Other languages can be downloaded from:
WWW.BRITEQ-LIGHTING.COM



Version: 1.0





EN - DISPOSAL OF THE DEVICE

Dispose of the unit and used batteries in an environment friendly manner according to your country regulations.

FR - DÉCLASSER L'APPAREIL

Débarrassez-vous de l'appareil et des piles usagées de manière écologique Conformément aux dispositions légales de votre pays.

NL - VERWIJDEREN VAN HET APPARAAT

Verwijder het toestel en de gebruikte batterijen op een milieuvriendelijke manier conform de in uw land geldende voorschriften.

DU - ENTSORGUNG DES GERÄTS

Entsorgen Sie das Gerät und die Batterien auf umweltfreundliche Art und Weise gemäß den Vorschriften Ihres Landes.

ES - DESHACERSE DEL APARATO

Reciclar el aparato y pilas usadas de forma ecologica conforme a las disposiciones legales de su país.

PT - COMO DESFAZER-SE DA UNIDADE

Tente reciclar a unidade e as pilhas usadas respeitando o ambiente e em conformidade com as normas vigentes no seu país.

OPERATION MANUAL

Thank you for buying this Briteq® product. To take full advantage of all possibilities and for your own safety, please read these operating instructions very carefully before you start using this unit.

FEATURES

- Compact but extremely powerful very narrow white beam outdoor projector!
- Uses the same lens and custom 60W CW/WW led as in our famous BT-NONABEAM!
- Tunable white: from warm white 3000K with high CRI to 6000K cold white.
- Different beam angles, thanks to included filters with magnetic installation frame:
 - 4° beam: perfect alternative for the old “halogen” ACL PAR-projectors!
 - 10° filter: wider but still concentrated beam
 - 45° filter: for use as regular white projector
- Nice HALO effects with 30 RGB pixels
- Many pre-programmed HALO-effects + FULL pixel control.
- Different DMX-modes:
 - 5CH mode: beam control without HALO-ring effects
 - 12CH mode: beam control with basic pre-programmed HALO-ring effects
 - 16CH mode: beam control with adjustable pre-programmed HALO-ring effects
 - 96CH mode: beam control with FULL pixel control to create your own HALO-ring effects
- IP65 rating for outdoor use!
- RDM-functionality for easy remote setup: DMX addressing, channel mode, ...
- Lockable OLED-display + backlit touch buttons for easy setup
- DMX-control channel (dimmer curves, dimmer speed, ...)
- 3pin DMX in/outputs and IP65-Power in/outputs for easy daisy chaining.
- Optional modification kit available to modify IP 3pin XLR to 5pin (BT-XLR3TO5 KIT – code: B05523)
- No Fan cooling: completely silent!

BEFORE USE

- Before you start using this unit, please check if there's no transportation damage. Should there be any, do not use the device and consult your dealer first.
- **Important:** This device left our factory in perfect condition and well packaged. It is absolutely necessary for the user to strictly follow the safety instructions and warnings in this user manual. Any damage caused by mishandling is not subject to warranty. The dealer will not accept responsibility for any resulting defects or problems caused by disregarding this user manual.
- Keep this booklet in a safe place for future consultation. If you sell the fixture, be sure to add this user manual.

Check the contents:

Check that the carton contains the following items:

- Operating instructions
- BT-NONAPIXEL WHITE
- 10° filter
- 45° filter
- Magnetic filter frame
- Neutrik® PowerCON TRUE1® power cable

SAFETY INSTRUCTIONS:



CAUTION
RISK OF ELECTRIC SHOCK
DO NOT OPEN



CAUTION: To reduce the risk of electric shock, do not remove the top cover. No user-serviceable parts inside. Refer servicing to qualified service personnel only.



The lightning flash with arrowhead symbol within the equilateral triangle is intended to alert the user to the presence of un-insulated "dangerous voltage" within the product's enclosure that may be of sufficient magnitude to constitute a risk of electric shock.



The exclamation point within the equilateral triangle is intended to alert the user to the presence of important operation and maintenance (servicing) instructions in the literature accompanying this appliance.



This symbol means: indoor use only



This symbol means: Read instructions



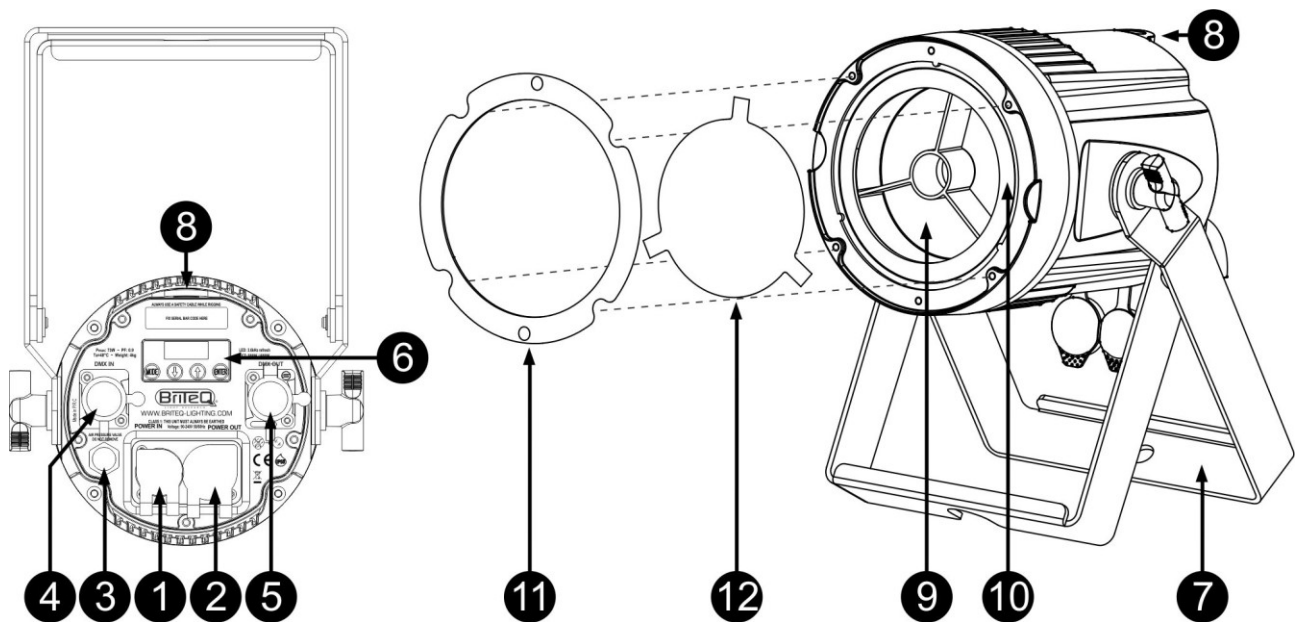
This symbol determines: the minimum distance from lighted objects. The minimum distance between light-output and the illuminated surface must be more than x meters

RISK GROUP 2
CAUTION:
Do not stare at operating lamp

CAUTION: Do not stare at operating lamp.
May be harmful to the eyes.

- To protect the environment, please try to recycle the packing material as much as possible.
- To prevent fire or shock hazard, do not expose this appliance to rain or moisture.
- To avoid condensation to be formed inside, allow the unit to adapt to the surrounding temperatures when bringing it into a warm room after transport. Condensation sometimes prevents the unit from working at full performance or may even cause damages.
- This unit is for indoor use only.
- Don't place metal objects or spill liquid inside the unit. Electric shock or malfunction may result. If a foreign object enters the unit, immediately disconnect the mains power.
- Locate the fixture in a well-ventilated spot, away from any flammable materials and/or liquids. The fixture must be fixed at least 50cm from surrounding walls.
- Don't cover any ventilation openings as this may result in overheating.
- Prevent use in dusty environments and clean the unit regularly.
- Keep the unit away from children.
- Inexperienced persons should not operate this device.
- Maximum safe ambient temperature is 40°C. Don't use this unit at higher ambient temperatures.
- Make sure the area below the installation place is free from unwanted persons during rigging, de-rigging and servicing.
- Allow the device about 10 minutes to cool down before to start servicing.
- Always unplug the unit when it is not used for a longer time or before to start servicing.
- The electrical installation should be carried out by qualified personal only, according to the regulations for electrical and mechanical safety in your country.
- Check that the available voltage is not higher than the one stated on the unit.
- The power cord should always be in perfect condition. Switch the unit immediately off when the power cord is squashed or damaged. It must be replaced by the manufacturer, its service agent or similarly qualified persons in order to avoid a hazard.
- Never let the power-cord come into contact with other cables!
- This fixture must be earthed in order to comply with safety regulations.
- Don't connect the unit to any dimmer pack.
- Always use an appropriate and certified safety cable when installing the unit.
- In order to prevent electric shock, do not open the cover. There are no user serviceable parts inside.
- **Never** repair a fuse or bypass the fuse holder. **Always** replace a damaged fuse with a fuse of the same type and electrical specifications!
- In the event of serious operating problems, stop using the fixture and contact your dealer immediately.
- The housing and the lenses must be replaced if they are visibly damaged.
- Please use the original packing when the device is to be transported.
- Due to safety reasons it is prohibited to make unauthorized modifications to the unit.

Important: Never look directly into the light source! Don't use the effect in the presence of persons suffering from epilepsy.

DESCRIPTION:

1. **MAINS INPUT:** equipped with IP65 Power connector. Connect the supplied mains cable here.
2. **MAINS OUTPUT:** used to daisy chain the power to several other projectors. Always pay attention to the maximum load while adding projectors! Special Multi cables (PowerCON® + DMX XLR-cables are optionally available: see our website!)
3. **AIR PRESSURE VENT:** for improved performance and service life, this special vent equalizes the pressure inside the projector while blocking water and preventing condense from being formed.
4. **DMX IN:** 3pin XLR connector used to connect the projector with other units or a DMX-controller. The DMX-input is also used to update the firmware of the projector, see the upgrade instructions on our website.
5. **DMX OUT:** 3pin XLR connector used to daisy chain the projector with other units.

Remark: a separate modification kit ("BT-XLR3TO5 KIT" order code: 5523) is available to easily change the current 3pin XLR-connectors into 5pin XLR-connectors: this takes only 2 minutes!

6. **DISPLAY & BUTTONS:** alphanumeric OLED-display and backlit touch keys to select different options of the setup MENU:
 - **MENU-button:** used to enter/exit the setup MENU.
 - **▼-button:** used to go to the next MENU option or to decrease a parameter value.
 - **▲-button:** used to go to the previous MENU option or to increase a parameter value.
 - **ENTER-button:** used to select a MENU option or confirm a setting.
7. **HANGING BRACKET:** You can use the hole in the center of the bracket to fix a hook or truss clamp.
8. **SAFETY EYEBOLT:** used to attach a safety cable when the unit is rigged (see paragraph "overhead rigging")
9. **4° BEAM LENS:** equipped with 60W WW/CW LED and "anti-glare louver" to ensure a very tight 4° beam and prevent glare.
10. **RGB HALO RING:** this effect ring is equipped with 30pcs RGB-leds to add special background effects. Several preprogrammed reduce the number of DMX-channels needed but also a full 95CH mode is available.
11. **MOUNTING FRAME:** a magnetic ring used to install the included 10° or 45° beam wideners.
12. **BEAM WIDENER:** two different lenses (10° and 45°) can be installed to widen the beam.

SETUP MENU:

The setup MENU of this projector was deliberately kept very simple to allow quick installation with less risk of incorrect settings. In addition, a number of important settings are made via a DMX control channel.

Press the MENU-button to enter the setup MENU.

- Use the ▼/▲ buttons to browse the MENU until the required function shows up.
- Select the function with the ENTER-button.
- Use ▼/▲ buttons to change the values.
- Press the ENTER-button to confirm the selected value.

ADDRESS

Used to set the desired DMX-address.

- Use the ▼/▲ buttons to browse the MENU until the required function shows up.
- Use ▼/▲ buttons to select the desired DMX512 address.
- Once the correct address shows on the display, press the ENTER-button to save it.

Remark: on RDM-compatible controllers this option can also be remotely set.

CH. MODE

Used to set the desired channel mode.

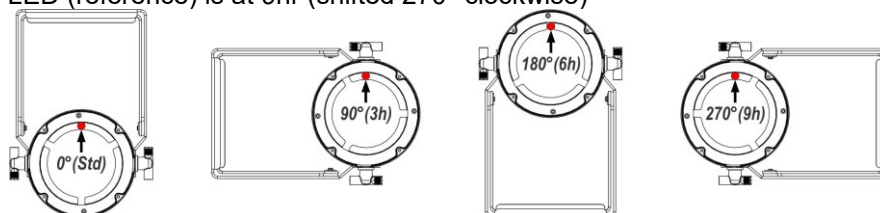
- Use the ▼/▲ buttons to browse the MENU until the required function shows up.
- Select the function with the ENTER-button.
- Use ▼/▲ buttons to select the desired mode:
 - **05 CH:** only control for the 60W CW/WW beam, no HALO-ring effect.
 - **12 CH:** control for the 60W CW/WW beam + simple control of internal HALO-ring effects.
 - **16 CH:** control for the 60W CW/WW beam + extended control of internal HALO-ring effects.
 - **95 CH:** control for the 60W CW/WW beam + full manual control of the HALO-ring
- Once the correct option shows on the display, press the ENTER-button to save it.

Remark: on RDM-compatible controllers this option can also be remotely set.

PIX SHIFT

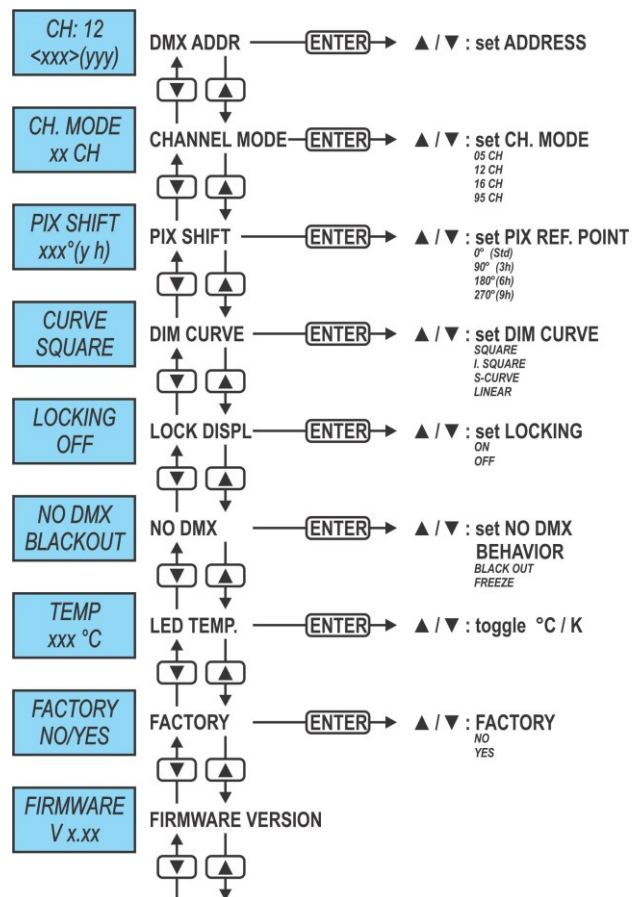
Used to set the location of the reference (1st LED) on the HALO-ring to make programming easier while the projectors are installed under different angles.

- Use the ▼/▲ buttons to browse the MENU until the required function shows up.
- Select the function with the ENTER-button.
- Use ▼/▲ buttons to select the desired mode:
 - **0°(Std):** 1st LED (reference) is at 12hr (upper side of the HALO-ring)
 - **90°(3h):** 1st LED (reference) is at 3hr (shifted 90° clockwise)
 - **180°(6h):** 1st LED (reference) is at 6hr (shifted 180° clockwise)
 - **270°(9h):** 1st LED (reference) is at 9hr (shifted 270° clockwise)



- Once the correct option shows on the display, press the ENTER-button to save it.

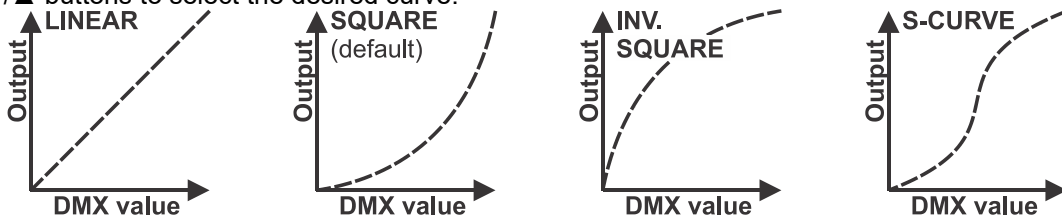
Remark: on RDM-compatible controllers this option can also be remotely set.



DIMMER CURVE

Used to set the dimmer curve of the individual pixels.

- Use the ▼/▲ buttons to browse the MENU until the required function shows up.
- Select the function with the ENTER-button.
- Use ▼/▲ buttons to select the desired curve:



- Once you selected the desired curve, press the ENTER-button to save it.
- Remark: this option can be overruled using the DMX-control channel.*

LOCKING MODE

Used to lock the setup MENU against unwanted altering of the settings.

- Use the ▼/▲ buttons to browse the MENU until the required function shows up.
- Select the function with the ENTER-button.
- Use ▼/▲ buttons to select the desired mode:
 - **OFF**: The setup MENU can be used at any time.
 - **ON**: After a short time the setup MENU locks automatically, the display shows **LOCKED *******.
⇒ Unlock the display by pressing the buttons in this order: ▲, ▼, ▲, ▼, ENTER.
- Once the correct option shows on the display, press the ENTER-button to save it.

NO DMX BEHAVIOR

Used to set how the projector reacts when the DMX-signal suddenly disappears.

- Use the ▼/▲ buttons to browse the MENU until the required function shows up.
- Select the function with the ENTER-button.
- Use ▼/▲ buttons to select the desired mode:
 - **BLACKOUT**: output turns black while no DMX is detected.
 - **FREEZE**: output based on the last valid DMX-signal is kept on the projector.
- Once the correct option shows on the display, press the ENTER-button to save it.

Note: as soon as the input detects a DMX-signal, blackout or freeze mode will be cancelled.

TEMP

Used to show the temperature of the LEDs.

- Use the ▼/▲ buttons to browse the MENU until the required function shows up.
- Select the function with the ENTER-button.
- Use ▼/▲ buttons to select the desired mode: °C / F

FACTORY SETTINGS

Used to quickly return to the factory settings

- Use the ▼/▲ buttons to browse the MENU until the required function shows up.
- Select the function with the ENTER-button.
- Use ▼/▲ buttons to select the desired option:
 - **NO**: Nothing happens, the current settings are used.
 - **YES**: The factory settings are loaded
- Once the correct option shows on the display, press the ENTER-button to save it.

PARAMETER name	FACTORY settings
CHANNEL mode	16 CH
NO DMX mode	Freeze
DIM Curve	Square
Dimmer Speed	030 (300ms)
PIX SHIFT	0° (Std)
AUTO LOCK MENU	OFF
Temp C/F	Celcius

FIRMWARE VERSION

Used to show the current version of the firmware.

- Use the ▼/▲ buttons to browse the MENU until the required function shows up.
- Select the function with the ENTER-button: the current firmware version is shown.

Note: The firmware of this unit can be upgraded using our special “Firmware Updater 2” (separately available from Briteq®). More information about this can be found in the user manual of the firmware updater or our website: <https://briteq-lighting.com/firmware-updater-2>

OVERHEAD RIGGING

- **Important:** The installation must be carried out by qualified service personal only. Improper installation can result in serious injuries and/or damage to property. Overhead rigging requires extensive experience! Working load limits should be respected, certified installation materials should be used, the installed device should be inspected regularly for safety.
- Make sure the area below the installation place is free from unwanted persons during rigging, de-rigging and servicing.
- Locate the fixture in a well-ventilated spot, far away from any flammable materials and/or liquids. The fixture must be fixed **at least 50cm** from surrounding walls.
- The device should be installed out of reach of people and outside areas where persons may walk by or be seated.
- Before rigging make sure that the installation area can hold a minimum point load of 10times the device’s weight.
- Always use a certified safety cable that can hold 12times the weight of the device when installing the unit. This secondary safety attachment should be installed in a way that no part of the installation can drop more than 20cm if the main attachment fails.
- The device should be well fixed; a free-swinging mounting is dangerous and may not be considered!
- Don’t cover any ventilation openings as this may result in overheating.
- The operator has to make sure that the safety-relating and machine-technical installations are approved by an expert before using them for the first time. The installations should be inspected every year by a skilled person to be sure that safety is still optimal.

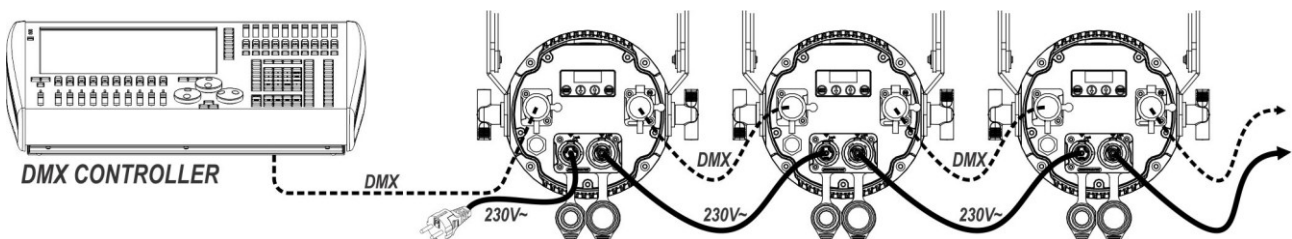
**ELECTRICAL INSTALLATION**

Important: The electrical installation should be carried out by qualified personal only, according to the regulations for electrical and mechanical safety in your country.

ELECTRICAL INSTALLATION FOR TWO OR MORE UNITS IN DMX-MODE:

Use this function when you want to control the projectors by any DMX controller.

- Connect the projectors as shown in the drawing below.



- First put the projectors in the desired DMX-mode: see the different DMX-charts and choose the one that suits you best.
- Give all projectors a start address: each projector shows its start + end address, make sure that the addresses do not overlap!

Some general information on DMX:

- The DMX-protocol is a widely used high speed signal to control intelligent light equipment. You need to “daisy chain” your DMX controller and all the connected units with a good quality balanced DMX-cable. Both XLR-3pin and XLR-5pin connectors are used, however XLR-3pin is more popular.
- Pin layout XLR-3pin: Pin1 = GND ~ Pin2 = Negative signal (-) ~ Pin3 = Positive signal (+)

- Pin layout XLR-5pin: Pin1 = GND ~ Pin2 = Negative signal (-) ~ Pin3 = Positive signal (+) ~ Pins4+5 not used.
- To prevent strange behavior of the light effects, due to interferences, you must use a 90Ω to 120Ω terminator at the end of the chain. Never use Y-splitter cables, this simply won't work!
- Make sure that all units are connected to the mains.
- Each unit in the chain has its proper starting address so it knows which commands from the controller it has to decode.

OPERATING INSTRUCTIONS

Note: when the projector is switched on the display shows "UPDATE WAIT ...". This message informs you that IF you want to upgrade the firmware, you should do it while this message is shown on the display. For normal use you can ignore this message completely.

DMX OPERATION

- Connect all units together. Refer to the chapter "Electrical installation for two or more units in DMX-mode" to learn how to do this (don't forget to address all units properly!)
- Connect all units to the mains and turn on the DMX controller.
- Since each unit has its own DMX-address, you can control them individually. Remember that each unit can use a different number of DMX-channels, depending on the DMX-mode you have selected in the MENU.

5CH DMX-MODE

Full control of the central 60W LED but no control for the HALO-ring.

CH	VALUE	FUNCTION	REMARKS
1	000-255	BEAM - DIM MASTER	
2	000-255	BEAM - DIM WW	
3	000-255	BEAM - DIM CW	
4	000-007	BEAM - NO STROBE - open	<i>controls the strobe of the white BEAMs</i>
	008-067	BEAM - RANDOM STROBE: slow → fast	
	068-255	BEAM - NORMAL STROBE: slow → fast	
5	000-007	No function	
	008-108	BEAM DIMMER SPEED: (0,0s → 1,5s)	<i>selected after 3 sec</i>
	109-114	No function	
	115-120	LINEAR dimmer curve	<i>selected after 3 sec</i>
	121-126	SQUARE dimmer curve	<i>selected after 3 sec</i>
	127-132	INVERSE SQUARE dimmer curve	<i>selected after 3 sec</i>
	133-138	S-CURVE dimmer curve	<i>selected after 3 sec</i>
	139-144	No function	
	145-150	LOAD saved FACTORY settings to SETUP MENU	<i>selected after 6 sec</i>
	151-156	No function	
	157-162	PIXEL1 location = 12hr (0° shifted)	<i>selected after 3 sec</i>
	163-168	PIXEL1 location = 03hr (90° shifted CW)	<i>selected after 3 sec</i>
	169-174	PIXEL1 location = 06hr (180° shifted CW)	<i>selected after 3 sec</i>
	175-180	PIXEL1 location = 09hr (270° shifted CW)	<i>selected after 3 sec</i>
	181-186	No function	
187-237	HALO RING DIMMER SPEED: (0,0s → 1,5s)	<i>selected after 3 sec</i>	
238-255	No function		

12CH DMX-MODE

Full control of the central 60W LED combined with simple control for the HALO-ring effects.

CH	VALUE	FUNCTION	REMARKS
1	000-255	BEAM - DIM MASTER	
2	000-255	BEAM - DIM WW	
3	000-255	BEAM - DIM CW	
4	000-007	BEAM - NO STROBE - open	
	008-067	BEAM - RANDOM STROBE: slow → fast	
	068-255	BEAM - NORMAL STROBE: slow → fast	
5	000-255	HALO - RGB DIM MASTER	
6	000-007	HALO - NO STROBE - open	
	008-067	HALO - RANDOM STROBE: slow → fast	
	068-255	HALO - NORMAL STROBE: slow → fast	
7	000-255	HALO - RED DIM BACKGROUND	
8	000-255	HALO - GREEN DIM BACKGROUND	
9	000-255	HALO - BLUE DIM BACKGROUND	
10	000-007	HALO - CHASE SELECT: not active	<i>channels 7+8+9 are used instead</i>
	008-048	HALO - CHASE SELECT: COLOR FADE	
	049-089	HALO - CHASE SELECT: 1	
	090-130	HALO - CHASE SELECT: 2	
	131-171	HALO - CHASE SELECT: 3	
	172-212	HALO - CHASE SELECT: 4	
11	213-255	HALO - CHASE SELECT: 5	
	000-125	HALO - CHASE SPEED clockwise: fast → slow	
	126-129	HALO - CHASE SPEED clockwise: Stop	
	130-255	HALO - CHASE SPEED counter clockwise: slow → fast	
12	000-007	No function	
	008-108	BEAM DIMMER SPEED: (0,0s → 1,5s)	<i>selected after 3 sec</i>
	109-114	No function	
	115-120	LINEAR dimmer curve	<i>selected after 3 sec</i>
	121-126	SQUARE dimmer curve	<i>selected after 3 sec</i>
	127-132	INVERSE SQUARE dimmer curve	<i>selected after 3 sec</i>
	133-138	S-CURVE dimmer curve	<i>selected after 3 sec</i>
	139-144	No function	
	145-150	LOAD saved FACTORY settings to SETUP MENU	<i>selected after 6 sec</i>
	151-156	No function	
	157-162	PIXEL1 location = 12hr (0° shifted)	<i>selected after 3 sec</i>
	163-168	PIXEL1 location = 03hr (90° shifted CW)	<i>selected after 3 sec</i>
	169-174	PIXEL1 location = 06hr (180° shifted CW)	<i>selected after 3 sec</i>
	175-180	PIXEL1 location = 09hr (270° shifted CW)	<i>selected after 3 sec</i>
	181-186	No function	
187-237	HALO RING DIMMER SPEED: (0,0s → 1,5s)	<i>selected after 3 sec</i>	
238-255	No function		

16CH DMX-MODE

Full control of the central 60W LED combined with extended control for the HALO-ring effects.

Some extra information on the DMX-chart:

- The HALO-ring control uses 2 separate layers:
 - **Background layer:** controlled by channels 7+8+9, determines the color of the HALO-ring background.
 - **Effect layer:** controlled by channels 10 to 15, to select and modify the different chase effects.
- CH13 is set to 000-007: effect channels 10+11+12+14+15 are not used.
- CH13 is set to 008-255: selected chases can be modified to obtain the best effect:
 - CH10+11+12: used to set the color of the effect layer
 - CH14 set to 000-095: choose one of the static steps of the selected chase (no running chase effect)
 - CH14 set to 096-255: the selected chase runs at the selected speed.
 - CH15 is used to select the effect pixel width (different max width for each chase)
- CH16 is used for different remote settings.

CH	VALUE	FUNCTION	REMARKS
1	000-255	BEAM - DIM MASTER	
2	000-255	BEAM - DIM WW	
3	000-255	BEAM - DIM CW	
4	000-007	BEAM - NO STROBE - open	
	008-067	BEAM - RANDOM STROBE: slow → fast	
	068-255	BEAM - NORMAL STROBE: slow → fast	
5	000-255	HALO - RGB DIM MASTER	
	000-007	HALO - NO STROBE - open	
	008-067	HALO - RANDOM STROBE: slow → fast	
6	068-255	HALO - NORMAL STROBE: slow → fast	
	000-255	HALO - RED DIM BACKGROUND	
	000-255	HALO - GREEN DIM BACKGROUND	
9	000-255	HALO - BLUE DIM BACKGROUND	
10	000-255	HALO - RED DIM EFFECT LAYER	
11	000-255	HALO - GREEN DIM EFFECT LAYER	
12	000-255	HALO - BLUE DIM EFFECT LAYER	
13	000-007	HALO - CHASE SELECT: not active	
	008-048	HALO - CHASE SELECT: 1	
	049-089	HALO - CHASE SELECT: 2	
	090-130	HALO - CHASE SELECT: 3	
	131-171	HALO - CHASE SELECT: 4	
	172-212	HALO - CHASE SELECT: 5	
	213-255	HALO - CHASE SELECT: 6	
14	000-008	Effect Chase step 1	
	009-011	Effect Chase step 2	
	012-014	Effect Chase step 3	
	015-017	Effect Chase step 4	
	018-020	Effect Chase step 5	
	021-023	Effect Chase step 6	
	024-026	Effect Chase step 7	
	027-029	Effect Chase step 8	
	030-032	Effect Chase step 9	
	033-035	Effect Chase step 10	
	036-038	Effect Chase step 11	
	039-041	Effect Chase step 12	
	042-044	Effect Chase step 13	
	045-047	Effect Chase step 14	
	048-050	Effect Chase step 15	
	051-053	Effect Chase step 16	
	054-056	Effect Chase step 17	
	057-059	Effect Chase step 18	
	060-062	Effect Chase step 19	
	063-065	Effect Chase step 20	
	066-068	Effect Chase step 21	
	069-071	Effect Chase step 22	
	072-074	Effect Chase step 23	
	075-077	Effect Chase step 24	
	078-080	Effect Chase step 25	

	081-083	Effect Chase step 26	
	084-086	Effect Chase step 27	
	087-089	Effect Chase step 28	
	090-092	Effect Chase step 29	
	093-095	Effect Chase step 30	
	096-174	HALO - CHASE SPEED clockwise: fast → slow	
	175-176	HALO - CHASE SPEED clockwise: Stop	
	177-255	HALO - CHASE SPEED counter clockwise: slow → fast	
15	000-008	Effect Pixel WIDTH: 01 LED	
	009-016	Effect Pixel WIDTH: 02 LEDS	
	017-024	Effect Pixel WIDTH: 03 LEDS	
	025-032	Effect Pixel WIDTH: 04 LEDS	
	033-040	Effect Pixel WIDTH: 05 LEDS	
	041-048	Effect Pixel WIDTH: 06 LEDS	
	049-056	Effect Pixel WIDTH: 07 LEDS	
	057-064	Effect Pixel WIDTH: 08 LEDS	
	065-072	Effect Pixel WIDTH: 09 LEDS	
	073-080	Effect Pixel WIDTH: 10 LEDS	
	081-088	Effect Pixel WIDTH: 11 LEDS	
	089-096	Effect Pixel WIDTH: 12 LEDS	
	097-104	Effect Pixel WIDTH: 13 LEDS	
	105-112	Effect Pixel WIDTH: 14 LEDS	
	113-120	Effect Pixel WIDTH: 15 LEDS	
	121-128	Effect Pixel WIDTH: 16 LEDS	
	129-136	Effect Pixel WIDTH: 17 LEDS	
	137-144	Effect Pixel WIDTH: 18 LEDS	
	145-152	Effect Pixel WIDTH: 19 LEDS	
	153-160	Effect Pixel WIDTH: 20 LEDS	
	161-168	Effect Pixel WIDTH: 21 LEDS	
	169-176	Effect Pixel WIDTH: 22 LEDS	
	177-184	Effect Pixel WIDTH: 23 LEDS	
	185-192	Effect Pixel WIDTH: 24 LEDS	
193-200	Effect Pixel WIDTH: 25 LEDS		
201-208	Effect Pixel WIDTH: 26 LEDS		
209-216	Effect Pixel WIDTH: 27 LEDS		
217-224	Effect Pixel WIDTH: 28 LEDS		
225-255	Effect Pixel WIDTH: 29 LEDS		
16	000-007	No function	
	008-108	BEAM DIMMER SPEED: (0,0s → 1,5s)	<i>selected after 3 sec</i>
	109-114	No function	
	115-120	LINEAR dimmer curve	<i>selected after 3 sec</i>
	121-126	SQUARE dimmer curve	<i>selected after 3 sec</i>
	127-132	INVERSE SQUARE dimmer curve	<i>selected after 3 sec</i>
	133-138	S-CURVE dimmer curve	<i>selected after 3 sec</i>
	139-144	No function	
	145-150	LOAD saved FACTORY settings to SETUP MENU	<i>selected after 6 sec</i>
	151-156	No function	
	157-162	PIXEL1 location = 12hr (0° shifted)	<i>selected after 3 sec</i>
	163-168	PIXEL1 location = 03hr (90° shifted CW)	<i>selected after 3 sec</i>
	169-174	PIXEL1 location = 06hr (180° shifted CW)	<i>selected after 3 sec</i>
	175-180	PIXEL1 location = 09hr (270° shifted CW)	<i>selected after 3 sec</i>
	181-186	No function	
	187-237	HALO RING DIMMER SPEED: (0,0s → 1,5s)	<i>selected after 3 sec</i>
	238-255	No function	

95CH DMX-MODE

- Full control of the central 60W LED combined with FULL pixel control to create custom HALO-ring effects.

CH	VALUE	FUNCTION	REMARKS	
1	000-255	BEAM - DIM MASTER		
2	000-255	BEAM - DIM WW		
3	000-255	BEAM - DIM CW		
4	000-007	BEAM - NO STROBE - open		
	008-067	BEAM - RANDOM STROBE: slow → fast		
	068-255	BEAM - NORMAL STROBE: slow → fast		
5	000-255	HALO - RED DIM PIXEL 1		
6	000-255	HALO - GREEN DIM PIXEL 1		
7	000-255	HALO - BLUE DIM PIXEL 1		
8	000-255	HALO - RED DIM PIXEL 2		
9	000-255	HALO - GREEN DIM PIXEL 2		
10	000-255	HALO - BLUE DIM PIXEL 2		
...	000-255	HALO - RED DIM PIXEL ...		
...	000-255	HALO - GREEN DIM PIXEL ...		
...	000-255	HALO - BLUE DIM PIXEL ...		
92	000-255	HALO - RED DIM PIXEL 30		
93	000-255	HALO - GREEN DIM PIXEL 30		
94	000-255	HALO - BLUE DIM PIXEL 30		
95	000-007	No function		
	008-108	BEAM DIMMER SPEED: (0,0s → 1,5s)		<i>selected after 3 sec</i>
	109-114	No function		
	115-120	LINEAR dimmer curve		<i>selected after 3 sec</i>
	121-126	SQUARE dimmer curve	<i>selected after 3 sec</i>	
	127-132	INVERSE SQUARE dimmer curve	<i>selected after 3 sec</i>	
	133-138	S-CURVE dimmer curve	<i>selected after 3 sec</i>	
	139-144	No function		
	145-150	LOAD saved FACTORY settings to SETUP MENU	<i>selected after 6 sec</i>	
	151-156	No function		
	157-162	PIXEL1 location = 12hr (0° shifted)	<i>selected after 3 sec</i>	
	163-168	PIXEL1 location = 03hr (90° shifted CW)	<i>selected after 3 sec</i>	
	169-174	PIXEL1 location = 06hr (180° shifted CW)	<i>selected after 3 sec</i>	
	175-180	PIXEL1 location = 09hr (270° shifted CW)	<i>selected after 3 sec</i>	
	181-186	No function		
187-237	HALO RING DIMMER SPEED: (0,0s → 1,5s)	<i>selected after 3 sec</i>		
238-255	No function			

RDM FUNCTIONS / REMOTE SETUP

RDM means “Remote Device Management”. This projector works with a brief set of RDM-functions which means that it can setup a bi-directional communication with an RDM-compatible DMX-controller. Some of these functions are briefly explained below, others will be added in the future.

- The DMX-controller sends out a “discovery command”, all RDM devices respond and send their unique device ID.
- The DMX-controller asks each RDM device for some basic data so it knows which devices are connected. The projector will respond:
 - **Device name:** BT-NONAPIXEL WHITE
 - **Manufacturer:** Briteq®
 - **Category:** fixture fixed
 - **Firmware:** x.x.x.x (firmware version of the projector)
 - **DMX address:** xxx (current DMX start address of the projector)
 - **DMX footprint:** xx (number of DMX-channels used by the projector)
 - **Personality:** xx (current personality or DMX-working mode used by the projectors)
- The DMX-controller can send certain commands to each RDM device which allow remote setup of the units. Thanks to this the projector can be setup remotely.

The following functions can be managed remotely:

No more need to take a ladder and set all units one by one!

- **DMX START ADDRESS:** The start address can be set remotely from 001 to xxx.
- **PERSONALITY:** The DMX working mode (DMX-chart) can be set remotely.

These 2 functions make it possible to prepare a complete DMX-patch of all projectors on the DMX-controller and send these data to all projectors at once. More functions will be added later.

MAINTENANCE

- Make sure the area below the installation place is free from unwanted persons during servicing.
- Switch off the unit, unplug the mains cable and wait until the unit has been cooled down.

During inspection the following points should be checked:

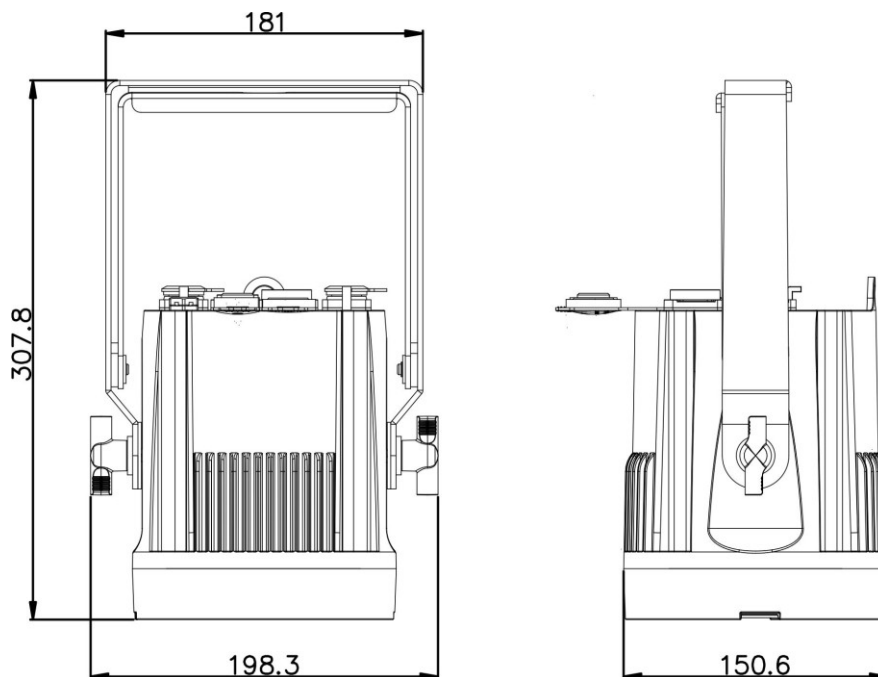
- All screws used for installing the device and any of its parts should be tightly fastened and may not be corroded.
- Housings, fixations and installations spots (ceiling, truss, suspensions) should be totally free from any deformation.
- When an optical lens is visibly damaged due to cracks or deep scratches, it must be replaced.
- The mains cables must be in impeccable condition and should be replaced immediately when even a small problem is detected.
- In order to protect the device from overheat the cooling fans (if any) and ventilation openings should be cleaned monthly.
- The interior of the device should be cleaned annually using a vacuum cleaner or air-jet.
- The cleaning of internal and external optical lenses and/or mirrors must be carried out periodically to optimize light output. Cleaning frequency depends on the environment in which the fixture operates: damp, smoky or particularly dirty surroundings can cause greater accumulation of dirt on the unit's optics.
 - Clean with a soft cloth using normal glass cleaning products.
 - Always dry the parts carefully.

Attention: We strongly recommend internal cleaning to be carried out by qualified personnel!

SPECIFICATIONS

This unit is radio-interference suppressed. This product meets the requirements of the current European and national guidelines. Conformity has been established and the relevant statements and documents have been deposited by the manufacturer.

Mains Input:	AC 90V – 240V, 50/60Hz
Internal fuse:	250Vac / T2A
Power connections:	IP65 Power connector (in / out)
Power consumption (full power):	66 Watt
Power factor:	>0.95
Daisy chaining:	30pcs (@ 240Vac)
Protection class:	1
IP-rating:	IP65 - outdoor
DMX connections:	3pin XLR male / female (<i>5pin XLR modification kit available</i>)
DMX channels used:	5 + 12 + 16 + 95 channels
LEDs:	60W (WW/CW) + 30pcs RGB led (HALO-ring)
Color temperature (CCT):	3000K → 6000K
CRI-factor:	>84
Lens beam angles:	4° lens (10° or 45° beam with beam widener)
LED refresh rate:	3,6 kHz
Strobe frequency:	0.5 → 20Hz
Max ambient temperature:	45°C
Max housing temperature:	72°C
Size (L x H x D):	see drawings
Weight:	4kg



The information might be modified without prior notice

You can download the latest version of this user manual on our website: www.briteq-lighting.com



MAILING LIST

EN: Subscribe today to our mailing list for the latest product news!

FR: Inscrivez-vous à notre liste de distribution si vous souhaitez suivre l'actualité de nos produits!

NL: Abonneer je vandaag nog op onze mailinglijst en ontvang ons laatste product nieuws!

DE: Abonnieren Sie unseren Newsletter und erhalten Sie aktuelle Produktinformationen!

ES: Suscríbete hoy a nuestra lista de correo para recibir las últimas noticias!

PT: Inscreva-se hoje na nossa mailing list para estar a par das últimas notícias!

WWW.BRITEQ-LIGHTING.COM

Copyright © 2020 by BEGLEC NV

't Hofveld 2C ~ B1702 Groot-Bijgaarden ~ Belgium

Reproduction or publication of the content in any manner, without express permission of the publisher, is prohibited.