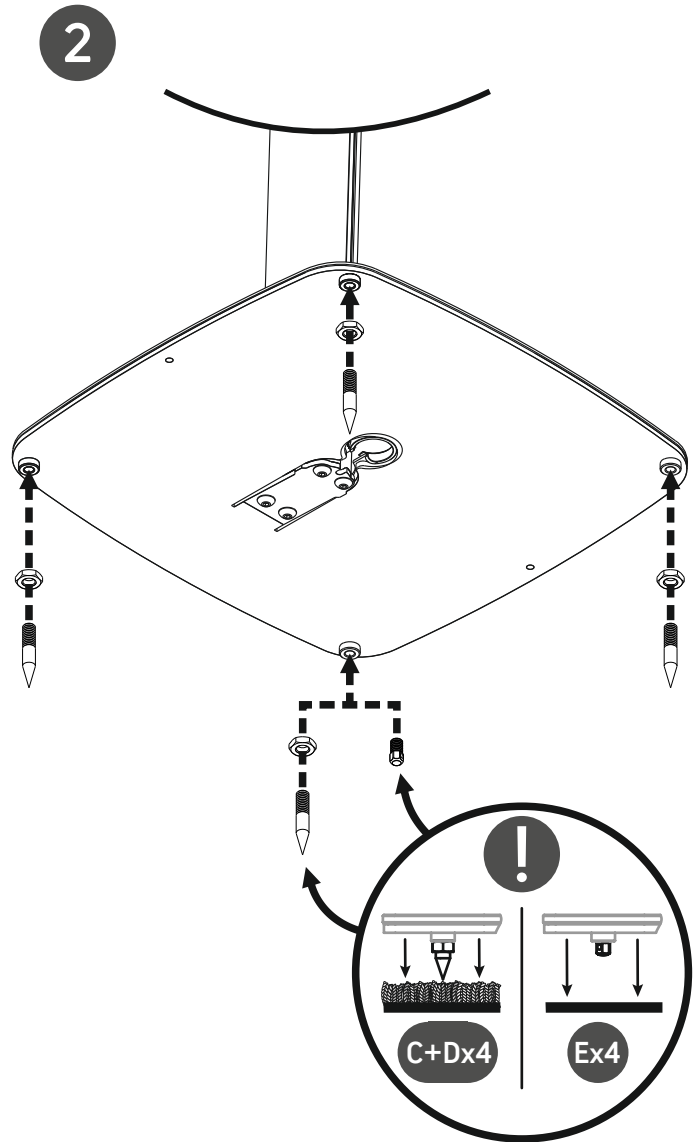
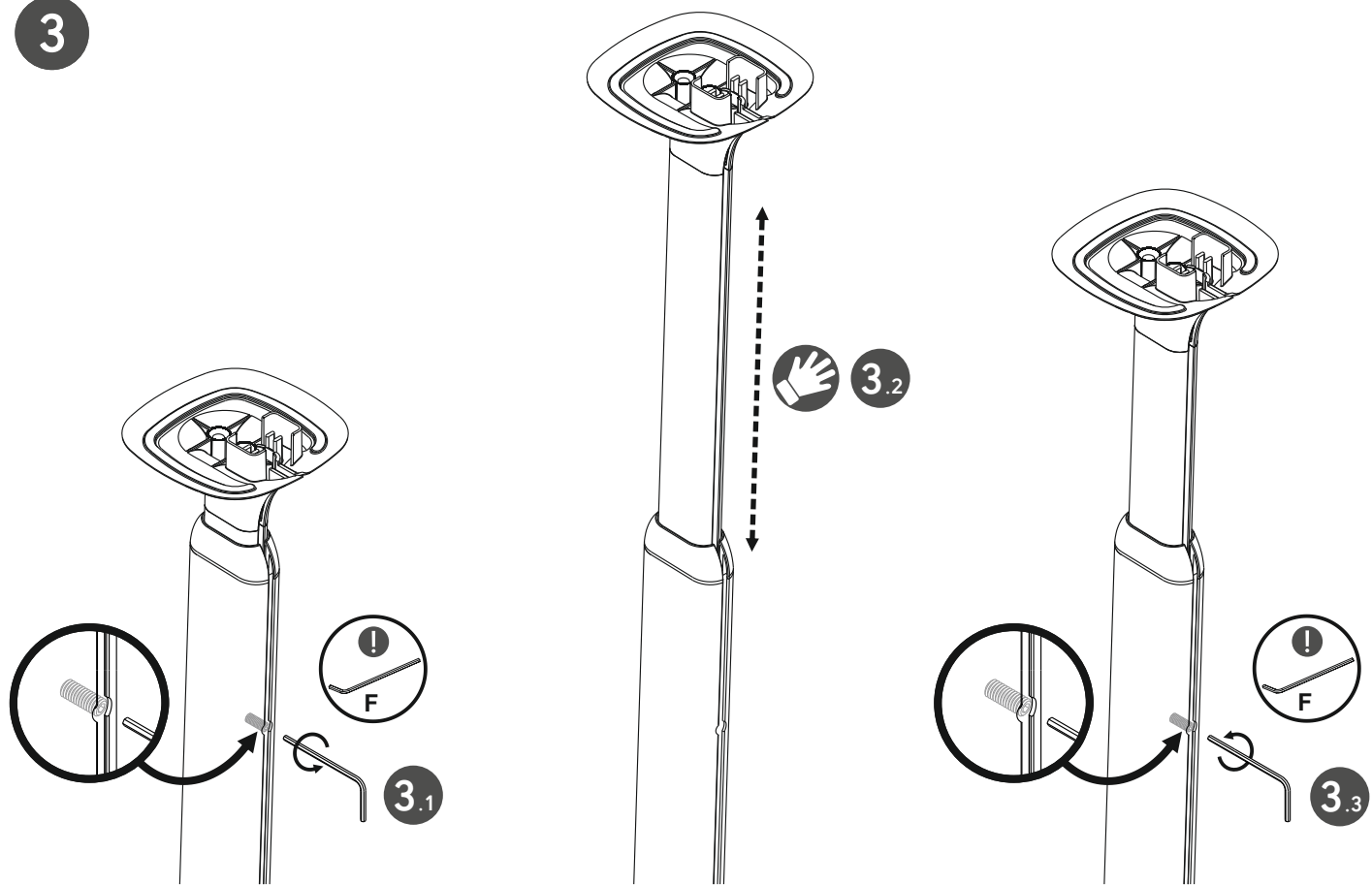


<b>A</b>  x4	<b>B</b>  x2	<b>C</b>  x4	<b>D</b>  x4	<b>E</b>  x4	<b>F/G/H</b>  1.5/3/4mm x1
---	---	---	---	---	---



3



4

