

**OWNER MANUAL
MANUALE UTENTE**

COMPACT M SERIES

M04

M05

M06

M08

M10

M12

TWO-WAY SPEAKERS



LANGUAGE



ENGLISH
ITALIANO

3
13



SAFETY PRECAUTIONS

1. All the precautions, in particular the safety ones, must be read with special attention, as they provide important information.

2. POWER SUPPLY FROM MAINS

- a. The mains voltage is sufficiently high to involve a risk of electrocution; install and connect this product before plugging it in.
- b. Before powering up, make sure that all the connections have been made correctly and the voltage of your mains corresponds to the voltage shown on the rating plate on the unit, if not, please contact your RCF dealer.
- c. The metallic parts of the unit are earthed through the power cable. An apparatus with CLASS I construction shall be connected to a mains socket outlet with a protective earthing connection.
- d. Protect the power cable from damage; make sure it is positioned in a way that it cannot be stepped on or crushed by objects.
- e. To prevent the risk of electric shock, never open this product: there are no parts inside that the user needs to access.

3. Make sure that no objects or liquids can get into this product, as this may cause a short circuit. This apparatus shall not be exposed to dripping or splashing. No objects filled with liquid, such as vases, shall be placed on this apparatus. No naked sources (such as lighted candles) should be placed on this apparatus.

4. Never attempt to carry out any operations, modifications or repairs that are not expressly described in this manual.

Contact your authorized service centre or qualified personnel should any of the following occur:

- **The product does not function (or functions in an anomalous way).**
- **The power cable has been damaged.**
- **Objects or liquids have got in the unit.**
- **The product has been subject to a heavy impact.**

5. If this product is not used for a long period, disconnect the power cable.

6. If this product begins emitting any strange odours or smoke, switch it off immediately and disconnect the power cable.

7. Do not connect this product to any equipment or accessories not foreseen.

For suspended installation, only use the dedicated anchoring points and do not try to hang this product by using elements that are unsuitable or not specific for this purpose. Also check the suitability of the support surface to which the product is anchored (wall, ceiling, structure, etc.), and the components used for attachment (screw anchors, screws, brackets not supplied by RCF etc.), which must guarantee the security of the system / installation over time, also considering, for example, the mechanical vibrations normally generated by transducers.

To prevent the risk of falling equipment, do not stack multiple units of this product unless this possibility is specified in the user manual.

8. RCF S.p.A. strongly recommends this product is only installed by professional qualified installers (or specialised firms) who can ensure correct installation and certify it according to the regulations in force.

The entire audio system must comply with the current standards and regulations regarding electrical systems.

9. Supports and trolleys

The equipment should be only used on trolleys or supports, where necessary, that are recommended by the manufacturer. The equipment / support / trolley assembly must be moved with extreme caution. Sudden stops, excessive pushing force and uneven floors may cause the assembly to overturn.

IMPORTANT



10. There are numerous mechanical and electrical factors to be considered when installing a professional audio system (in addition to those which are strictly acoustic, such as sound pressure, angles of coverage, frequency response, etc.).

11. Hearing loss

Exposure to high sound levels can cause permanent hearing loss. The acoustic pressure level that leads to hearing loss is different from person to person and depends on the duration of exposure. To prevent potentially dangerous exposure to high levels of acoustic pressure, anyone who is exposed to these levels should use adequate protection devices. When a transducer capable of producing high sound levels is being used, it is therefore necessary to wear ear plugs or protective earphones. See the manual technical specifications to know the maximum sound pressure level.

IMPORTANT NOTES

To prevent the occurrence of noise on line signal cables, use screened cables only and avoid putting them close to:

- **Equipment that produces high-intensity electromagnetic fields.**
- **Power cables.**
- **Loudspeaker lines.**

IMPORTANT NOTES

**OPERATING
PRECAUTIONS**



OPERATING PRECAUTIONS

- **Place this product far from any heat sources and always ensure an adequate air circulation around it.**
- **Do not overload this product for a long time.**
- **Never force the control elements (keys, knobs, etc.).**
- **Do not use solvents, alcohol, benzene or other volatile substances for cleaning the external parts of this product.**

IMPORTANT NOTES

Before connecting and using this product, please read this instruction manual carefully and keep it on hand for future reference. The manual is to be considered an integral part of this product and must accompany it when it changes ownership as a reference for correct installation and use as well as for the safety precautions. RCF S.p.A. will not assume any responsibility for the incorrect installation and / or use of this product.

WARNING: To prevent the risk of fire or electric shock, never expose this product to rain or humidity.

IMPORTANT NOTES

WARNING



RCF S.P.A. THANKS YOU FOR PURCHASING THIS PRODUCT, WHICH HAS BEEN DESIGNED TO GUARANTEE RELIABILITY AND HIGH PERFORMANCE.

DESCRIPTION



The Compact Media series includes a wide range of high quality 2-way passive loudspeakers for fixed installations and is the ideal solution for small to medium size projects.

This series covers 6 models:

- COMPACT M 04 two-way loudspeaker, 4" woofer and 1" dome tweeter;
- COMPACT M 05 two-way loudspeaker, 5" woofer and 1" dome tweeter;
- COMPACT M 06 two-way loudspeaker, 6" woofer and 1" dome tweeter;
- COMPACT M 08 two-way loudspeaker, 8" woofer and 1.4" compression driver;
- COMPACT M 10 two-way loudspeaker, 10" woofer and 1.4" compression driver;
- COMPACT M 12 two-way loudspeaker, 12" woofer and 1.4" compression driver;

Models from M 06 to M 12 are equipped with a high power handling 'Low Impedance Compensated Crossover', having an electronic protection for the driver.

The front grilles are made of steel and the front RCF logo is easily rotatable.

Several rigging points are available on each model, in order to match with any application needs.

All models have a 4-pin EUROBLOCK connector (audio input and parallel link output).



Loudspeakers are to be installed by qualified personnel, respecting all safety standards. Loudspeakers are to be installed securely.

Make sure the support structure (walls / ceilings) has the necessary mechanical characteristics for the loudspeaker weight, without the risk of a fall that could damage things or cause an injury.

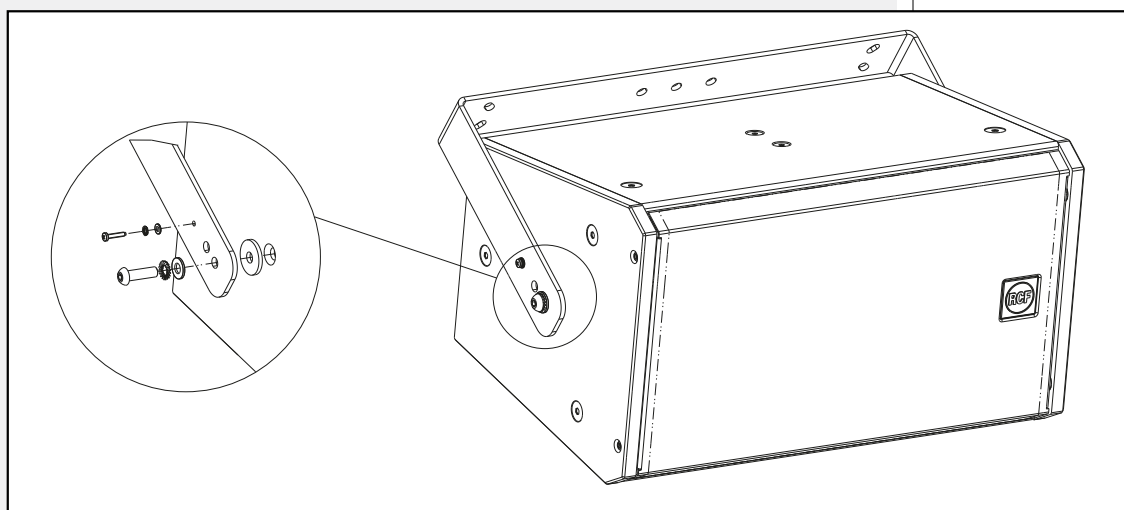
Use attachments elements suitable for walls / ceilings (e.g. wall plugs for bricks, for concrete, etc.).

a) HORIZONTAL MOUNTING WITH U BRACKET

Necessary optional accessory:

- HORIZONTAL BRACKET H-BR 2X COMPACT M 08 (for COMPACT M 08 model);
- HORIZONTAL BRACKET H-BR 2X COMPACT M 10 (for COMPACT M 10 model);
- HORIZONTAL BRACKET H-BR 2X COMPACT M 12 (for COMPACT M 12 model);

1. Fix the U bracket to the wall / ceiling through at least 4 lateral wall plugs (max. M8) plus a central one (max. M10).
2. Mount the U bracket to the loudspeaker by tightening the two M10x35 bolts into the holes of the loudspeaker top and bottom, as shown in the figure below.



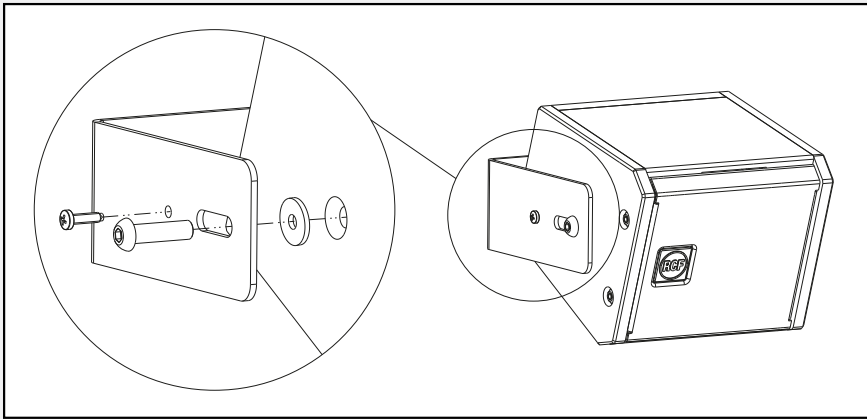
Alternatively, it's possible to install the speaker in a less protruding way by using the other two inner holes on the U bracket.

Before tightening the two M10 bolts, adjust the loudspeaker vertical tilt and then (when you found the right angle) fix it through two M4.2x22 self-threading screws (passing through the small hole of the U bracket) directly into the loudspeaker cabinet wood.

NOTE: DO NOT TILT THE LOUDSPEAKER UPWARDS!

INSTEAD OF SIMPLE M10 BOLTS, IT IS POSSIBLE TO USE THE M10 BOLT INCLUDED KNOBS.

Model COMPACT M 04 comes with its own HORIZONTAL BRACKET which must be fixed in the same way as the other COMPACT M models (see picture below).

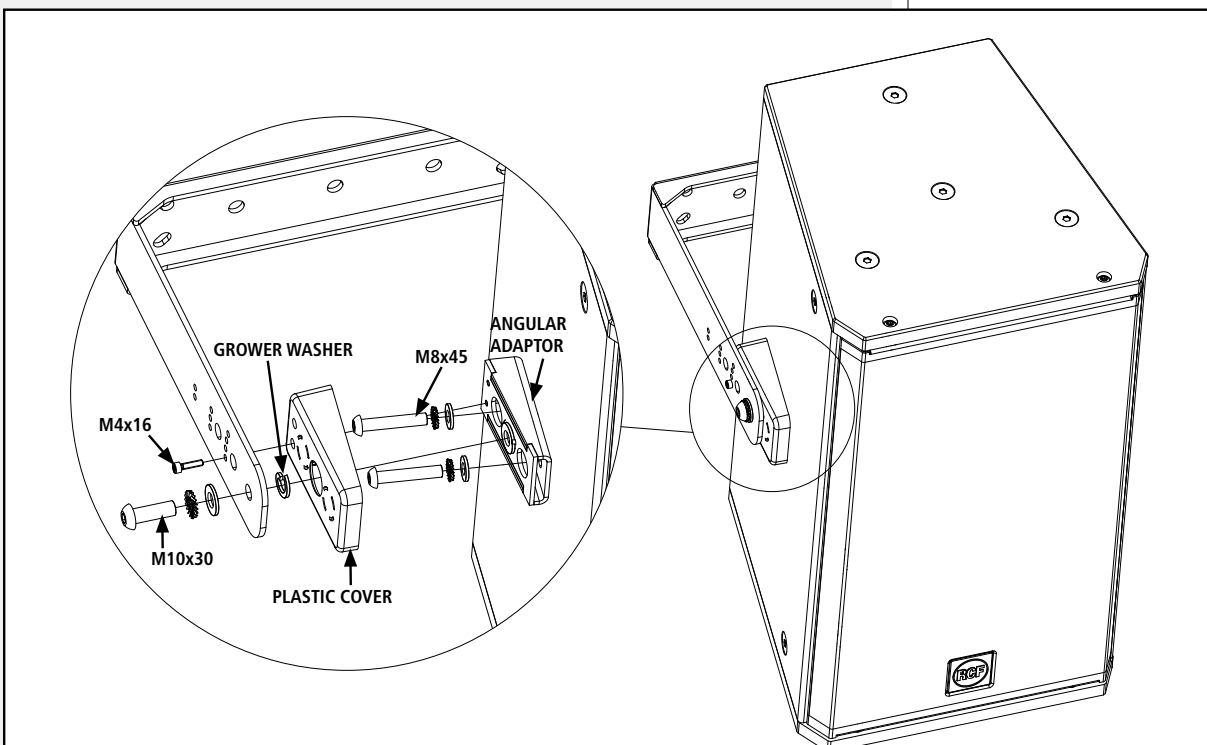


b) VERTICAL MOUNTING WITH U BRACKET

Necessary optional accessory:

- VERTICAL BRACKET V-BR 2X COMPACT M 08 (for COMPACT M 08 model);
- VERTICAL BRACKET V-BR 2X COMPACT M 10 (for COMPACT M 10 model);
- VERTICAL BRACKET V-BR 2X COMPACT M 12 (for COMPACT M 12 model);

Fix the U bracket to the wall / ceiling through at least 4 lateral wall plugs (max. M8) plus a central one (max. M10)..



1. After removing the screws on the speaker sides, fix the angular adaptor on the speaker with the M8x45 screws.
2. Place the plastic cover on the angular adaptor.
3. Fix the bracket to the speaker with the M10x30 screws placing a grower washer between the bracket and the plastic cover.

Alternatively, a less protruding installation is possible thanks to the inner holes of the U bracket.

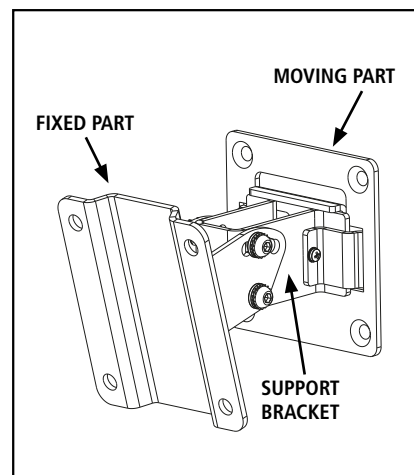
Set the speaker vertical tilt and fix the inclination by screwing the two M6 screws on the adaptor.

NOTE: DO NOT TILT THE LOUDSPEAKER UPWARDS!

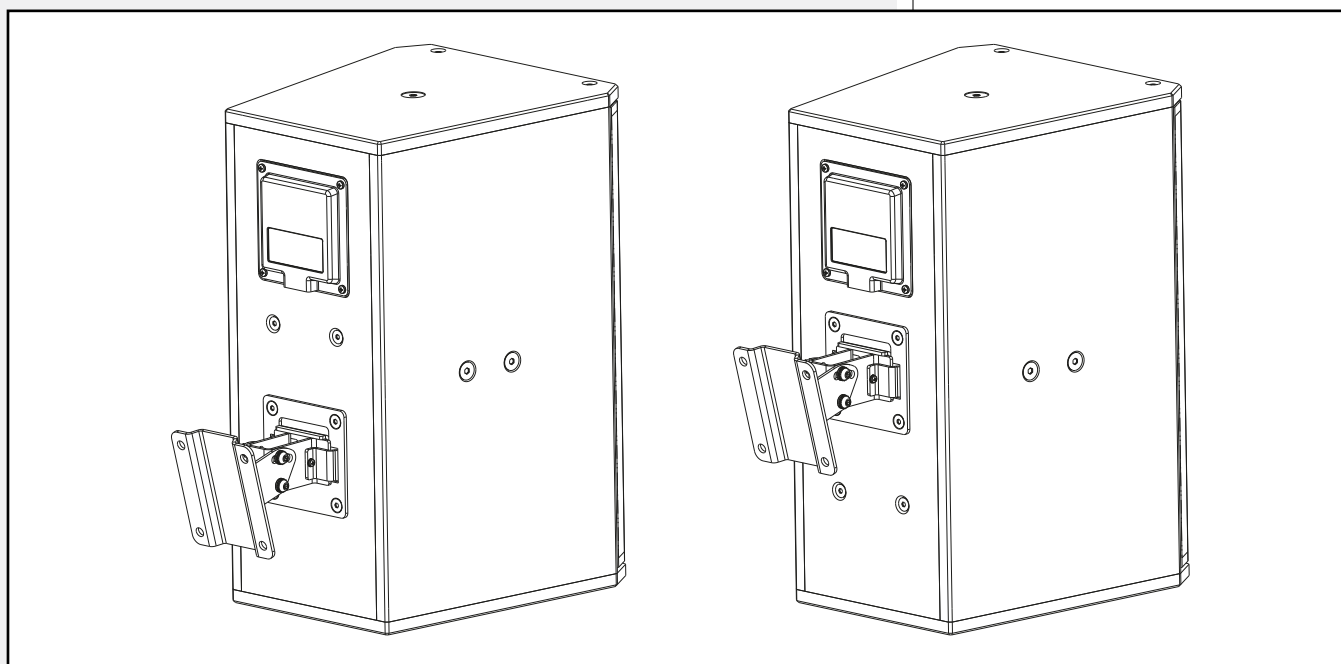
c) MOUNTING WITH A SWIVEL BRACKET

Necessary optional accessory: WALL MOUNT BRACKET SWM-BR COMPACT M (for COMPACT M 05, M 06 and M 08 models)

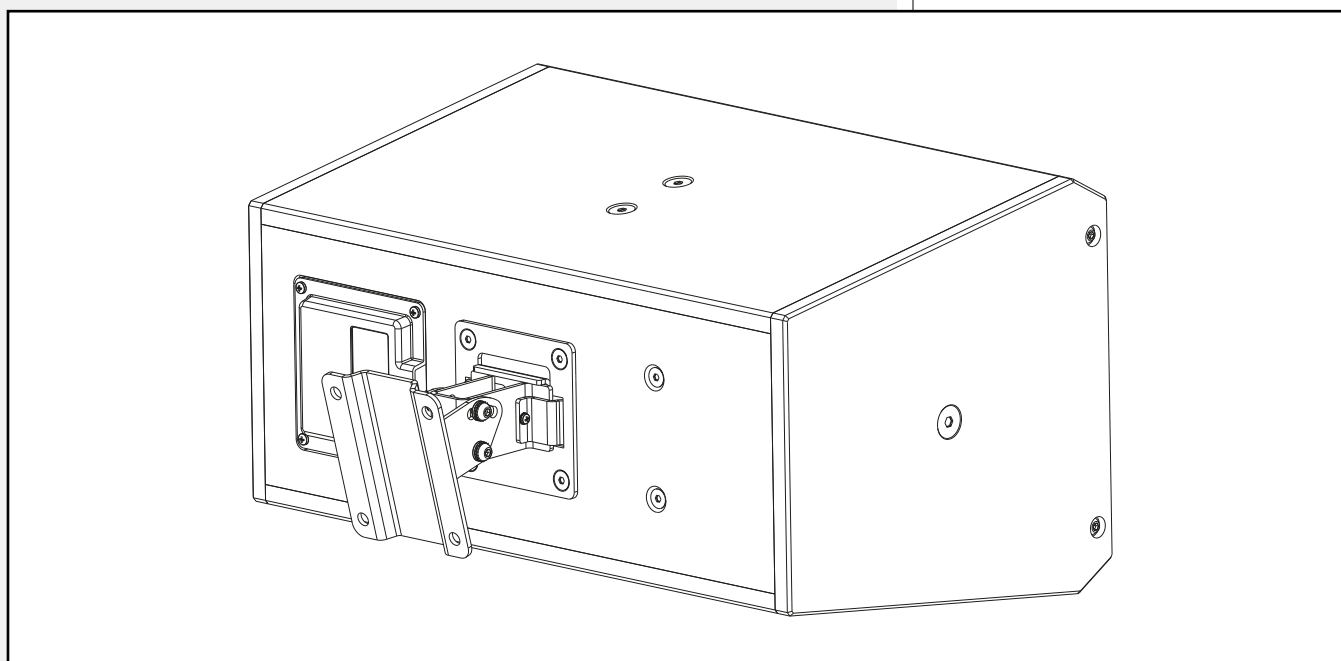
1. Install the fixed part of the accessory with 4 M8 wall plugs through the 4 holes (the central area of the fixed part can be useful to let pass the connecting cable from the wall outlet).
2. Fix the SUPPORT BRACKET to the FIXED PART with two M10 bolt included in dotazione and choose the right inclination angle (0°, 15°, 30°, 45°).



The MOVING PART of the accessory must be fixed directly on the back of the speaker with 4 M6 flat head screws (already placed on the speaker). On the COMPACT M 08 model the accessory can be fixed in two different positions (as shown in the picture below).



It is also possible the loudspeaker horizontal mounting (see the figure below).



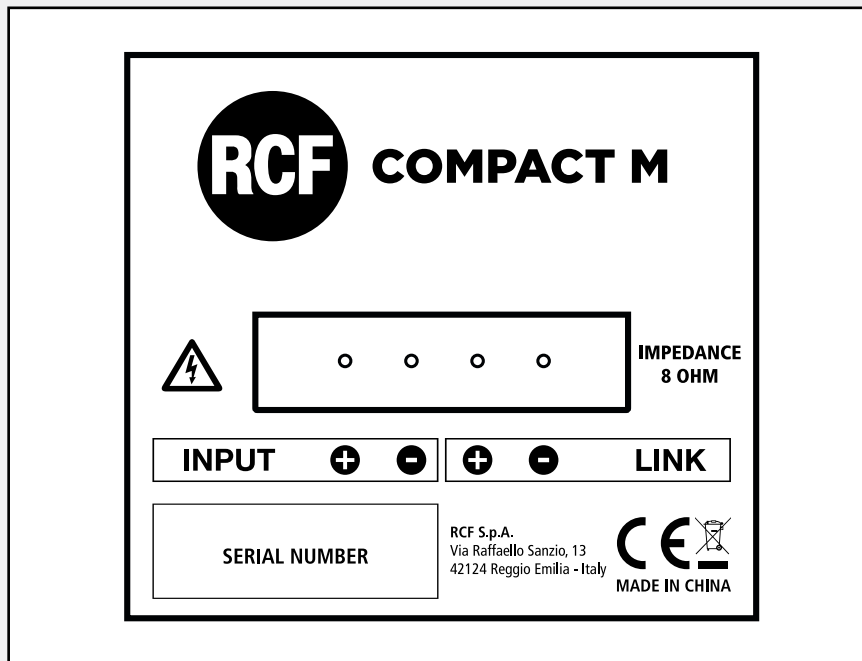
3. Then, place the speakers on the support bracket and tighten the two lateral bolts.



WARNING: loudspeaker connections should be only made by qualified and experienced personnel having the technical know-how or sufficient specific instructions (to ensure that connections are made correctly) in order to prevent any electrical danger. To prevent any risk of electric shock, do not connect loudspeakers when the amplifier is switched on. Before turning the system on, check all connections and make sure there are no accidental short circuits. The entire sound system shall be designed and installed in compliance with the current local laws and regulations regarding electrical systems. 'COMPACT M' series loudspeakers are designed for indoor use only. If installed outdoor, loudspeakers shall be protected against water.

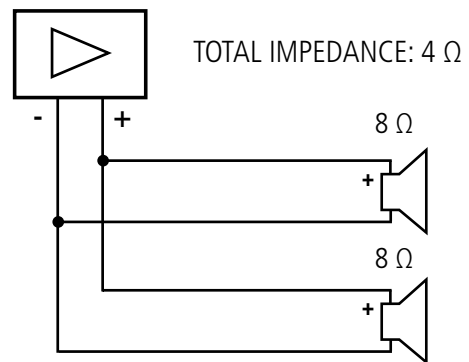
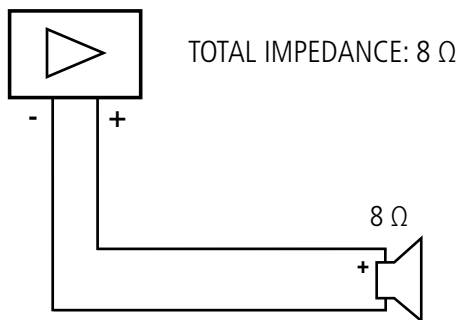
The impedance value of each loudspeaker is 8 Ω.

Connect the positive wire (amplifier '+' output) to the pin 'INPUT +' of the 4-pin EUROBLOCK connector. Connect the negative wire (amplifier '-' output) to the pin 'INPUT -' of the 4-pin EUROBLOCK connector. The 'LINK +' and 'LINK -' pins are useful to link another loudspeaker in parallel.



NOTES ABOUT LOW IMPEDANCE CONNECTIONS

- The total loudspeaker impedance must not be lower than the amplifier output impedance. Note: a loudspeaker total impedance equal to the amplifier output one permits to get the maximum deliverable power (but a higher loudspeaker impedance entails less power).
- The total loudspeaker power shall be adequate for the maximum deliverable power of the amplifier.
- The loudspeaker line shall be short (for long distances, it may be necessary to use cables with large cross-section wires).



- Always use cables having wires with an adequate cross-section, considering the cable length and the total loudspeaker power.
- Loudspeaker lines must be kept separated from the mains cables, microphone cables or others, in order to avoid inductive phenomena may cause hum or noises.
- Use loudspeaker cables with twisted wires to reduce hum caused by inductive effects due to coupling with electromagnetic fields.
- Do NOT connect the low impedance input directly to 70 / 100 V constant voltage lines.

SPECIFICATIONS



ACOUSTICAL SPECIFICATION	COMPACT M 04	COMPACT M 05	COMPACT M 06	COMPACT M 08	COMPACT M 10	COMPACT M 12
Frequency Response (-10dB)	100 Hz ÷ 20000 Hz	70 Hz ÷ 20000 Hz	60 Hz ÷ 20000 Hz	60 Hz ÷ 20000 Hz	60 Hz ÷ 20000 Hz	55 Hz ÷ 20000 Hz
Max SPL @ 1m (dB)	113 dB	115 dB	116 dB	124 dB	128 dB	129 dB
Coverage angle H x V	100° x 100°	100° x 70°	100° x 70°	90° x 70°	90 x 70°	90 x 70°
Directivity Index Q	10	10	10	11	11	11
Sensitivity (dB)	90 dB	89 dB	90 dB	95 dB	98 dB	98 dB
POWER SECTION						
Nominal Impedance (ohm)	16 ohm	8 ohm	8 ohm	8 ohm	8 ohm	8 ohm
Power (RMS)	60 W RMS	80 W RMS	100 W RMS	200 W RMS	300 W RMS	300 W RMS
Power (PEAK)	240 W PEAK	320 W PEAK	400 W PEAK	800 W PEAK	1200 W PEAK	1200 W PEAK
Recommened Amplifier	120 W	160 W	200 W	400 W	600 W	600 W
Crossover Frequency	3500 Hz	2200 Hz	2200 Hz	1800 Hz	1800 Hz	1800 Hz
Protections	-	-	Dynamic active mosfet	Dynamic active mosfet	Dynamic active mosfet	Dynamic active mosfet
TRANSDUCERS						
HIGH FREQUENCY	1" neo, 1.0" v.c (dome tweeter)	1.3" neo, 1.0" v.c (dome tweeter)	1.3" neo, 1.0" v.c (dome tweeter)	1 x 1.0", 1.4" v.c (compression driver)	1 x 1.0", 1.4" v.c (compression driver)	1 x 1.0", 1.4" v.c (compression driver)
Nominal Impedance (ohm)	16 ohm	8 ohm	8 ohm	8 ohm	8 ohm	8 ohm
Nominal power	10 W AES, 20 W PEAK	15 W AES, 30 W PEAK	15 W AES, 30 W PEAK	25 W AES, 50 W PEAK	25 W AES, 50 W PEAK	25 W AES, 50 W PEAK
Sensitivity (dB, 1W @ 1m)	91 dB, 1W @ 1m	92 dB, 1W @ 1m	92 dB, 1W @ 1m	107 dB, 1W @ 1m	107 dB, 1W @ 1m	107 dB, 1W @ 1m
WOOFER	4.0", 1" v.c	5.0", 1.2" v.c	6.0", 1.5" v.c	8", 1.7" v.c	10", 2.5" v.c	12", 2.5" v.c
Nominal Impedance (ohm)	16 ohm	8 ohm	8 ohm	8 ohm	8 ohm	8 ohm
Nominal power	40 W AES, 80 W PEAK	80 W AES, 160 W PEAK	100 W AES, 200 W PEAK	200 W AES, 400 W PEAK	300 W AES, 600 W PEAK	300 W AES, 600 W PEAK
Sensitivity (dB, 1W @ 1m)	90 dB, 1W @ 1m	89 dB, 1W @ 1m	90 dB, 1W @ 1m	94 dB, 1W @ 1m	98 dB, 1W @ 1m	99 dB, 1W @ 1m
INPUT/OUTPUT SECTION						
Input/Output connectors	Euroblock	Euroblock	Euroblock	Euroblock	Euroblock	Euroblock
PHYSICAL SPECIFICATION						
Cabinet Material	Plywood	Plywood	Plywood	Plywood	Plywood	Plywood
Hardware	2 x M6, 2 x M8	4 x M6, 2 x M8	4 x M6, 2 x M8	6 x M6, 4 x M8, 2 x M10	8 x M8, 8 x M10	8 x M8, 8 x M10
Grille	Painted steel	Painted steel	Painted steel	Painted steel	Painted steel	Painted steel
Color	Black	Black	Black	Black	Black	Black
DIMENSION						
Height	148 mm / 5.83 inches	303 mm / 11.93 inches	365 mm / 14.37 inches	442 mm / 17.4 inches	510 mm / 20.08 inches	620 mm / 24.41 inches
Width	132 mm / 5.2 inches	172 mm / 6.77 inches	211 mm / 8.31 inches	257 mm / 10.12 inches	295 mm / 11.61 inches	362 mm / 14.25 inches
Depth	145 mm / 5.71 inches	191 mm / 7.52 inches	232 mm / 9.13 inches	284 mm / 11.18 inches	325 mm / 12.8 inches	404 mm / 15.91 inches
Weight	2.3 kg / 5.07 lbs	4.5 kg / 9.92 lbs	5.5 kg / 12.13 lbs	13.5 kg / 29.76 lbs	17 kg / 37.48 lbs	22 kg / 48.5 lbs



AVVERTENZE PER LA SICUREZZA

1. Tutte le avvertenze, in particolare quelle relative alla sicurezza, **devono essere lette con particolare attenzione**, in quanto contengono importanti informazioni.

2. ALIMENTAZIONE DIRETTA DA RETE

- a. La tensione di alimentazione dell'apparecchio ha un valore sufficientemente alto da costituire un rischio di folgorazione per le persone: non procedere mai all'installazione o connessione dell'apparecchio con l'alimentazione inserita.
- b. Prima di alimentare questo prodotto, assicurarsi che tutte le connessioni siano corrette e che la tensione della vostra rete di alimentazione corrisponda quella di targa dell'apparecchio, in caso contrario rivolgetevi ad un rivenditore RCF.
- c. Le parti metalliche dell'apparecchio sono collegate a terra tramite il cavo di alimentazione. Un apparecchio avente costruzione di CLASSE I deve essere connesso alla presa di rete con un collegamento alla terra di protezione.
- d. Accertarsi che il cavo di alimentazione dell'apparecchio non possa essere calpestato o schiacciato da oggetti, al fine di salvaguardarne la perfetta integrità.
- e. Per evitare il rischio di shock elettrici, non aprire mai l'apparecchio: all'interno non vi sono parti che possono essere utilizzate dall'utente.

3. Impedire che oggetti o liquidi entrino all'interno del prodotto, perché potrebbero causare un corto circuito. L'apparecchio non deve essere esposto a stillicidio o a spruzzi d'acqua; nessun oggetto pieno di liquido, quali vasi, deve essere posto sull'apparecchio. Nessuna sorgente di fiamma nuda (es. candele accese) deve essere posta sull'apparecchio.

4. Non eseguire sul prodotto interventi / modifiche / riparazioni se non quelle espressamente descritte sul manuale istruzioni.

Contattare centri di assistenza autorizzati o personale altamente qualificato quando:

- **l'apparecchio non funziona (o funziona in modo anomalo);**
- **il cavo di alimentazione è danneggiato;**
- **oggetti o liquidi sono entrati nell'apparecchio;**
- **l'apparecchio ha subito forti urti.**

5. Qualora questo prodotto non sia utilizzato per lunghi periodi, scollegare il cavo d'alimentazione.

6. Nel caso che dal prodotto provengano odori anomali o fumo, spegnerlo immediatamente e scollegare il cavo d'alimentazione.

7. Non collegare a questo prodotto altri apparecchi e accessori non previsti.

Quando è prevista l'installazione sospesa, utilizzare solamente gli appositi punti di ancoraggio e non cercare di appendere questo prodotto tramite elementi non idonei o previsti allo scopo.

Verificare inoltre l'idoneità del supporto (parete, soffitto, struttura ecc., al quale è ancorato il prodotto) e dei componenti utilizzati per il fissaggio (tasselli, viti, staffe non fornite da RCF ecc.) che devono garantire la sicurezza dell'impianto / installazione nel tempo, anche considerando, ad esempio, vibrazioni meccaniche normalmente generate da un trasduttore. Per evitare il pericolo di cadute, non sovrapporre fra loro più unità di questo prodotto, quando questa possibilità non è espressamente contemplata dal manuale istruzioni.

8. La RCF S.p.A. raccomanda vivamente che l'installazione di questo prodotto sia eseguita solamente da installatori professionali qualificati (oppure da ditte specializzate) in grado di farla correttamente e certificarla in accordo con le normative vigenti. Tutto il sistema audio dovrà essere in conformità con le norme e le leggi vigenti in materia di impianti elettrici.

9. La RCF S.p.A. raccomanda vivamente che l'installazione di questo prodotto sia eseguita solamente da installatori professionali qualificati (oppure da ditte specializzate) in grado di farla correttamente e certificarla in accordo con le normative vigenti.

IMPORTANTE



Tutto il sistema audio dovrà essere in conformità con le norme e le leggi vigenti in materia di impianti elettrici.

10. Vi sono numerosi fattori meccanici ed elettrici da considerare quando si installa un sistema audio professionale (oltre a quelli prettamente acustici, come la pressione sonora, gli angoli di copertura, la risposta in frequenza, ecc.).

11. Perdita dell'udito

L'esposizione ad elevati livelli sonori può provocare la perdita permanente dell'udito. Il livello di pressione acustica pericolosa per l'udito varia sensibilmente da persona a persona e dipende dalla durata dell'esposizione. Per evitare un'esposizione potenzialmente pericolosa ad elevati livelli di pressione acustica, è necessario che chiunque sia sottoposto a tali livelli utilizzi delle adeguate protezioni; quando si fa funzionare un trasduttore in grado di produrre elevati livelli sonori è necessario indossare dei tappi per orecchie o delle cuffie protettive. Consultare i dati tecnici del manuale d'uso per conoscere le massime pressioni sonore che i monitor da studio sono in grado di produrre.

NOTE IMPORTANTI

Per evitare fenomeni di rumorosità indotta sui cavi che trasportano segnali dai microfoni o di linea (per esempio 0dB), usare solo cavi schermati ed evitare di posarli nelle vicinanze di:

- **apparecchiature che producono campi elettromagnetici di forte intensità;**
- **cavi di rete;**
- **linee che alimentano altoparlanti.**

NOTE IMPORTANTI



**PRECAUZIONI
D'USO**



PRECAUZIONI D'USO

- **Collocare il prodotto lontano da fonti di calore e lasciare dello spazio libero intorno per garantire la circolazione dell'aria.**
- **Non sovraccaricare questo prodotto per lunghi periodi.**
- **Non forzare mai gli organi di comando (tasti, manopole ecc.).**
- **Non usare solventi, alcool, benzina o altre sostanze volatili per la pulitura delle parti esterne.**

NOTE IMPORTANTI

Prima di collegare ed utilizzare questo prodotto, leggere attentamente le istruzioni contenute in questo manuale, il quale è da conservare per riferimenti futuri.

Il presente manuale costituisce parte integrante del prodotto e deve accompagnare quest'ultimo anche nei passaggi di proprietà, per permettere al nuovo proprietario di conoscere le modalità d'installazione e d'utilizzo e le avvertenze per la sicurezza.

L'installazione e l'utilizzo errati del prodotto esimono la RCF S.p.A. da ogni responsabilità.

ATTENZIONE: Per prevenire i rischi di fiamme o scosse elettriche, non esporre mai questo prodotto alla pioggia o all'umidità.

NOTE IMPORTANTI



ATTENZIONE



DESCRIZIONE



La serie Compact Media comprende una vasta gamma di diffusori acustici passivi a 2 vie di alta qualità per installazioni fisse ed è la soluzione ideale per progetti piccoli e medi.

Questa serie è composta da 6 modelli:

- COMPACT M 04 sistema a 2 vie con woofer da 4" e tweeter a cupola da 1";
- COMPACT M 05 sistema a 2 vie con woofer da 5" e tweeter a cupola da 1";
- COMPACT M 06 sistema a 2 vie con woofer da 6" e tweeter a cupola da 1";
- COMPACT M 08 sistema a 2 vie con woofer da 8" e compression driver da 1.4";
- COMPACT M 10 sistema a 2 vie con woofer da 10" e compression driver da 1.4";
- COMPACT M 12 sistema a 2 vie con woofer da 12" e compression driver da 1.4".

I modelli da M 06 e M 12 sono dotati di un crossover RCF compensato a bassa impedenza ("Low Impedance Compensated Crossover") con protezione elettronica del driver.

Le griglie frontali sono in acciaio con una robusta maglia a doppia rete di poliestere. Il logo RCF frontale è facilmente ruotabile.

Sui diffusori sono presenti diversi punti d'installazione per adattarsi a ogni possibile applicazione.

Tutti i modelli hanno sul pannello posteriore una presa per connettore EUROBLOCK a 4 poli (ingresso audio ed uscita parallela).



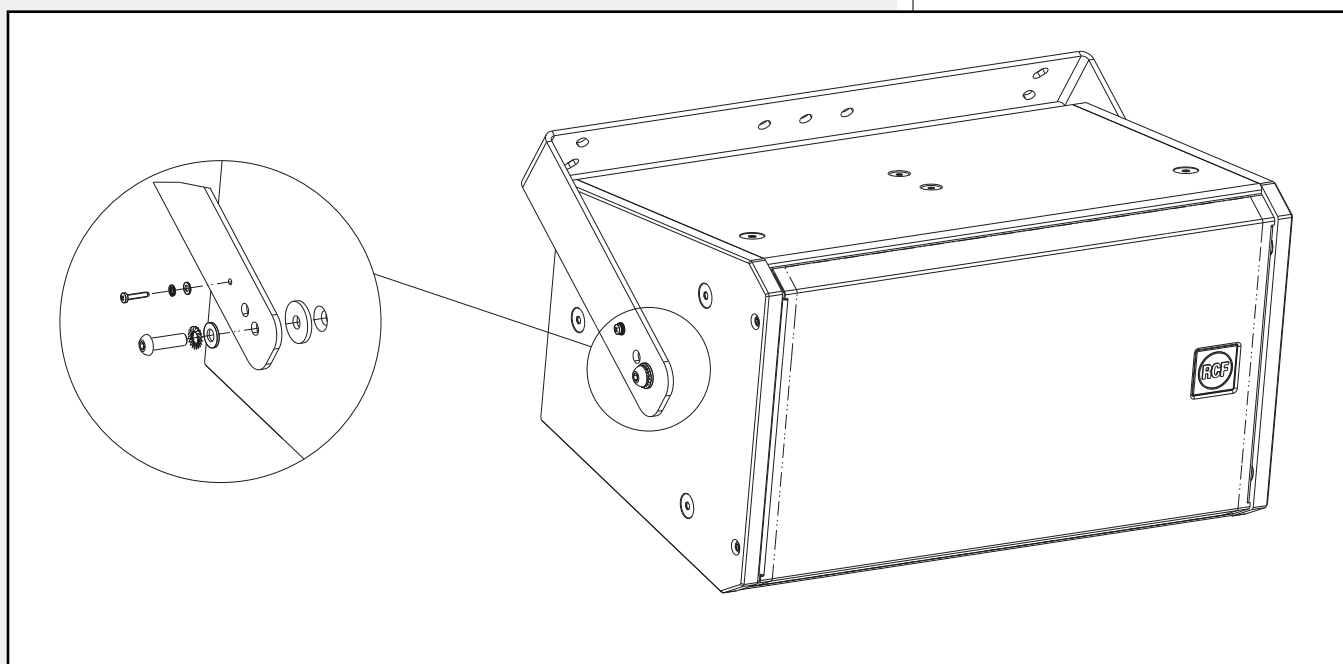
L'installazione dei diffusori deve essere effettuata da personale qualificato rispettando gli standard di sicurezza. Eseguire un'installazione sicura di ogni diffusore, controllando che la struttura di supporto (es. parete, soffitto, ecc.) abbia le necessarie caratteristiche meccaniche, tali da consentirle di sopportarne il peso senza il pericolo di cadute che potrebbero compromettere l'incolumità di persone e/o danneggiare cose. Utilizzare elementi di fissaggio adatti al tipo di struttura che deve sostenere i diffusori (es. tasselli per mattoni forati, calcestruzzo, ecc.).

a) INSTALLAZIONE IN POSIZIONE ORIZZONTALE TRAMITE STAFFA AD "U"

Accessori opzionali necessari:

- STAFFA ORIZZONTALE H-BR 2X COMPACT M 08 (per il modello COMPACT M 08);
- STAFFA ORIZZONTALE H-BR 2X COMPACT M 10 (per il modello COMPACT M 10);
- STAFFA ORIZZONTALE H-BR 2X COMPACT M 12 (per il modello COMPACT M 12);

1. Fissare la staffa ad U alla parete od al soffitto tramite almeno 4 tasselli laterali (max. M8) ed uno centrale (max. M10).
2. Installare il diffusore alla staffa ad U avvitando i due bulloni M10x35 nei fori sui lati superiore ed inferiore del diffusore, come mostrato nella figura sotto.



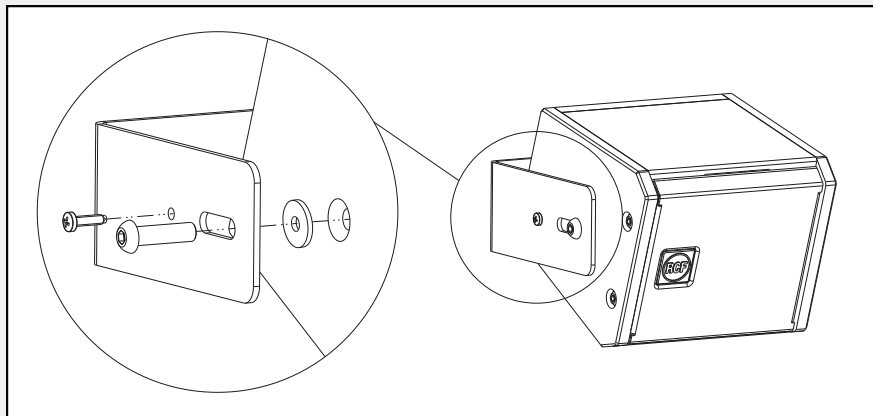
Come alternativa, è possibile un'installazione un po' meno sporgente grazie ai fori più interni della staffa ad U.

Prima di stringere i due bulloni M10, regolare l'inclinazione verticale del diffusore e successivamente (quando si è certi dell'angolo) fissarla tramite due viti autofilettanti M4,2x22 (passanti per il foro piccolo della staffa a U) direttamente nel legno del diffusore.

NOTA: NON INCLINARE IL DIFFUSORE VERSO L'ALTO!

IN ALTERNATIVA AI SEMPLICI BULLONI M10, È POSSIBILE UTILIZZARE LE MANOPOLE (CON BULLONI M10) IN DOTAZIONE.

Il modello COMPACT M 04 viene fornito con la propria STAFFA ORIZZONTALE che deve essere fissata nello stesso modo in cui vengono fissate le staffe orizzontali di tutti gli altri modelli.

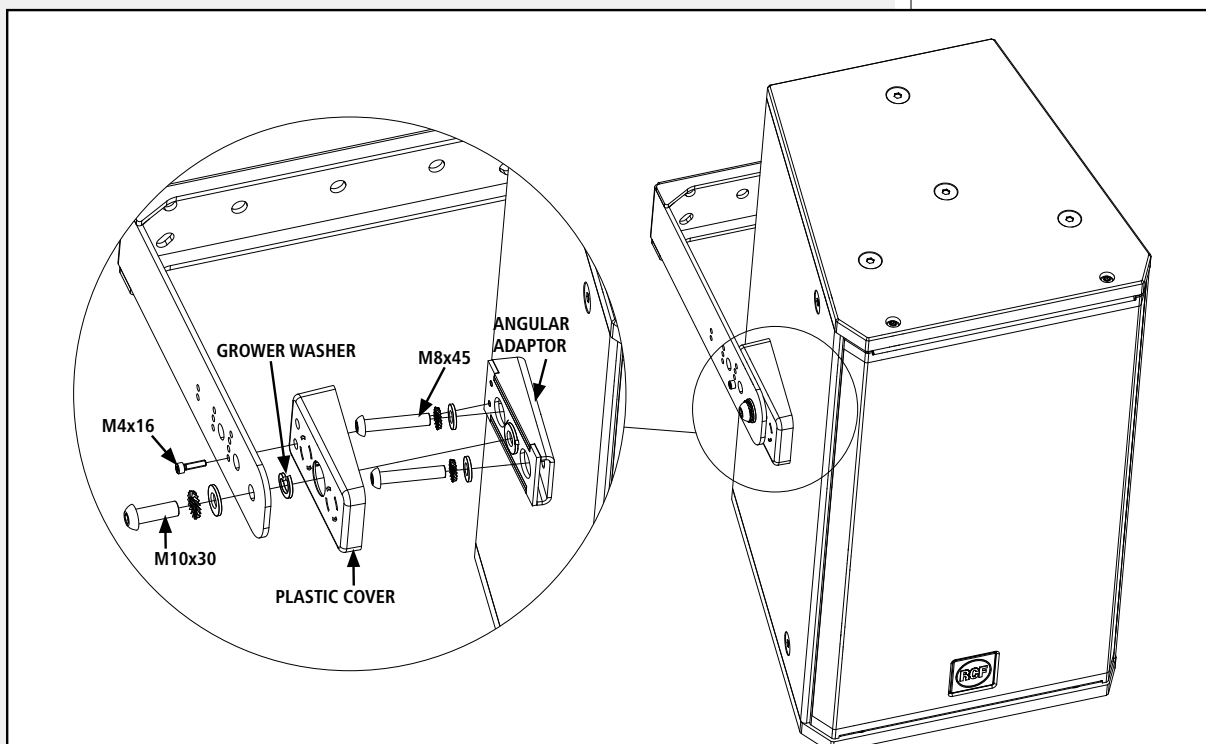


b) INSTALLAZIONE IN POSIZIONE VERTICALE TRAMITE STAFFA AD "U"

Accessori opzionali necessari:

- STAFFA VERTICALE V-BR 2X COMPACT M 08 (per il modello COMPACT M 08);
- STAFFA VERTICALE V-BR 2X COMPACT M 10 (per il modello COMPACT M 10);
- STAFFA VERTICALE V-BR 2X COMPACT M 12 (per il modello COMPACT M 12);

Fissare la staffa ad U alla parete od al soffitto tramite almeno 4 tasselli laterali (max. M8) ed uno centrale (max. M10).



1. Dopo aver rimosso le viti avvitate alle pareti laterali del diffusore, fissare l'adattatore angolare sul diffusore tramite le viti M8x45.
2. Posizionare la cover in plastica sull'adattatore angolare.
3. Fissare la staffa al diffusore mediante le viti M10x30 interponendo una rondella spaccata tra la staffa e la cover in plastica.

Come alternativa, è possibile un'installazione un po' meno sporgente grazie ai fori più interni della staffa ad U.

Regolare l'angolo verticale del diffusore e fissare l'inclinazione avvitando le due viti M6 sull'adattatore.

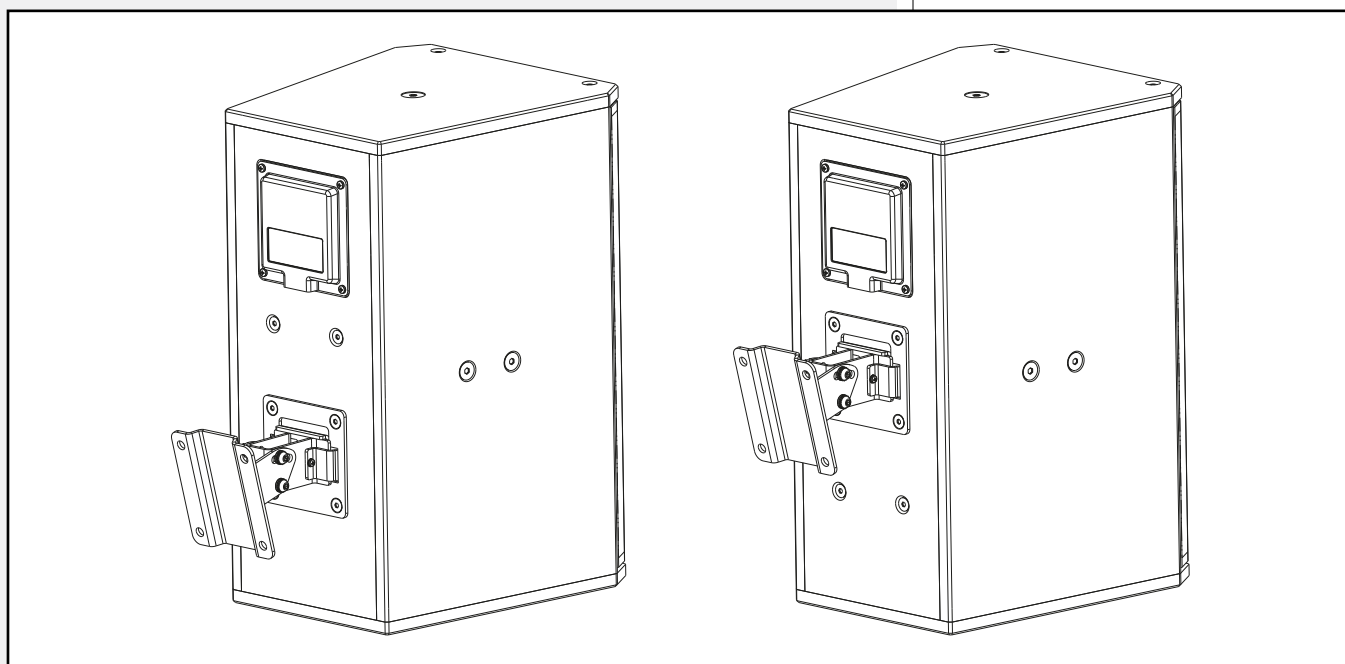
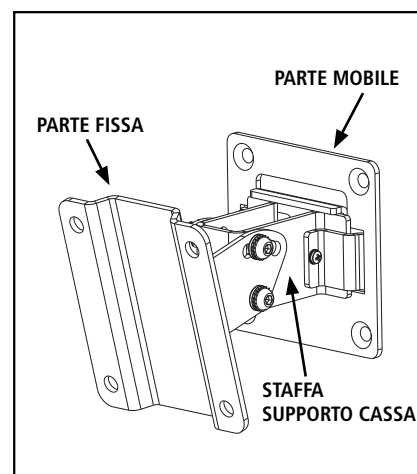
NOTA: NON INCLINARE IL DIFFUSORE VERSO L'ALTO!

c) INSTALLAZIONE CON SUPPORTO ORIENTABILE

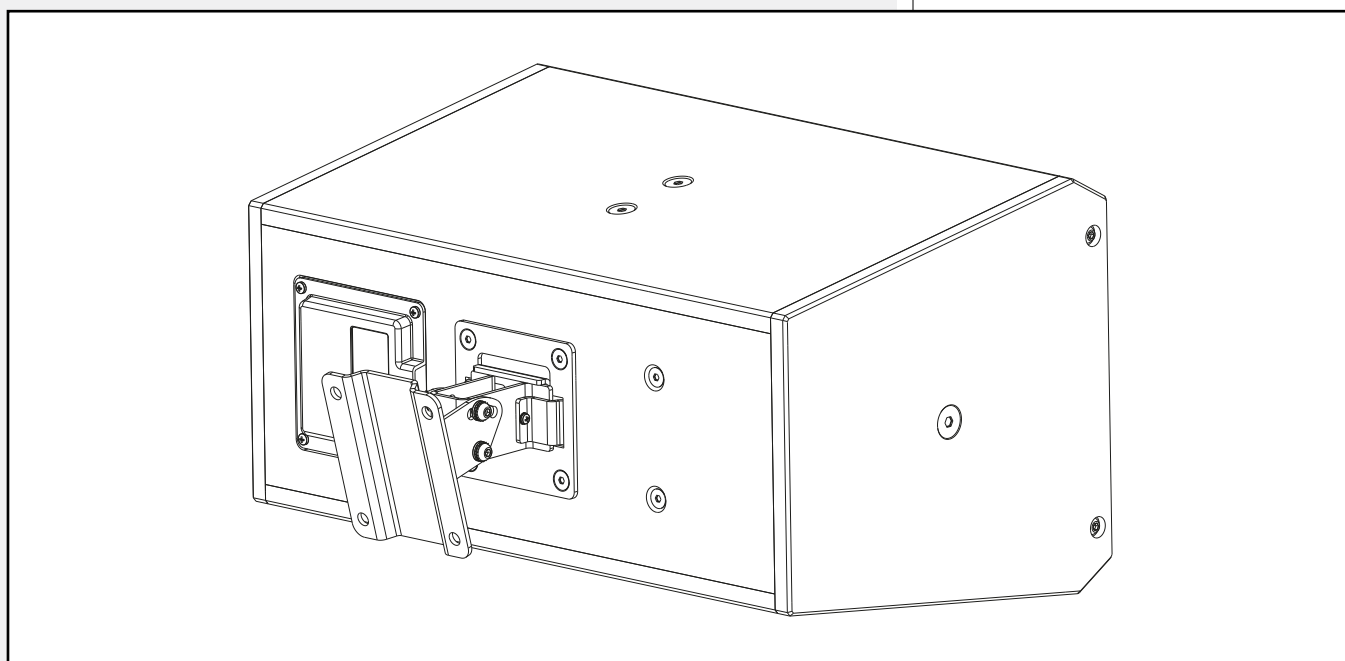
Accessorio opzionale necessario: STAFFA A MURO SWM-BR COMPACT M (per i modelli COMPACT M 05, M 06 e M 08)

1. Installare a parete la PARTE FISSA dell'accessorio tramite 4 tasselli M8 passanti per i 4 fori agli angoli (lo spazio centrale della parte fissa può risultare utile per l'uscita del cavo di collegamento dalla parete).
2. Fissare la STAFFA SUPPORTO CASSA alla PARTE FISSA dell'accessorio tramite i due bulloni M10 in dotazione e scegliere l'angolo di inclinazione desiderato (0°, 15°, 30°, 45°).

La PARTE MOBILE dell'accessorio deve essere fissata direttamente sul retro del diffusore acustico tramite 4 viti M6 (già presenti sul diffusore) a testa piana svasata. Nel diffusore COMPACT M 08 l'accessorio può essere fissato in due diverse posizioni (come mostrato nella figura sotto).



È inoltre possibile l'installazione orizzontale del diffusore (si veda la figura sotto).



3. Successivamente, posizionare il diffusore sulla staffa di supporto installata a parete e serrare le due viti di sicurezza laterali.



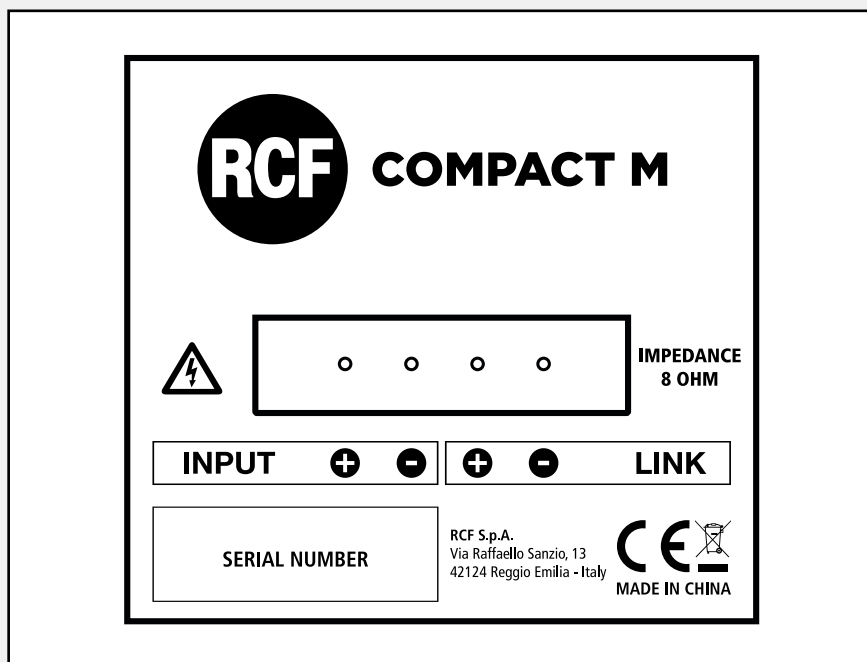
ATTENZIONE: per il collegamento del diffusore si raccomanda di rivolgersi a personale qualificato ed addestrato, ossia personale avente conoscenze tecniche o esperienza o istruzioni specifiche sufficienti per permettergli di realizzare correttamente le connessioni e prevenire i pericoli dell'elettricità.

Per evitare il rischio di shock elettrici, non collegare il diffusore con l'amplificatore acceso. Prima di far funzionare il diffusore, è buona norma ricontrollare tutte le connessioni, verificando attentamente che non vi siano dei cortocircuiti accidentali. Tutto l'impianto di sonorizzazione dovrà essere realizzato in conformità con le norme e le leggi vigenti in materia di impianti elettrici.

L'uso dei diffusori acustici della serie "COMPACT M" è previsto per i soli ambienti chiusi; se installati all'aperto, i diffusori dovranno essere protetti dall'acqua.

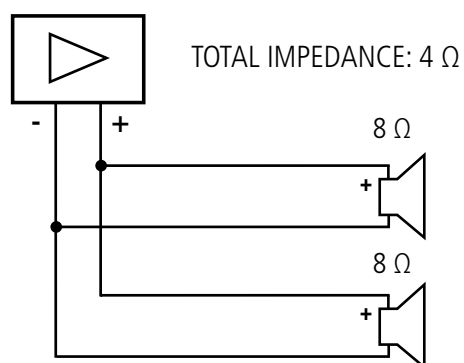
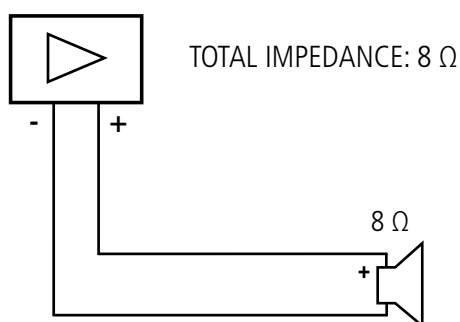
L'impedenza di ciascun diffusore è 8 Ω.

Collegare il conduttore positivo (uscita "+" dell'amplificatore) al contatto "INPUT+" del connettore EUROBLOCK a 4 poli; collegare il conduttore negativo (uscita "-" dell'amplificatore) al contatto "INPUT -" del connettore EUROBLOCK a 4 poli. I contatti "LINK +" e "LINK -" sono utilizzabili per un eventuale collegamento (in parallelo) di un altro diffusore acustico.



NOTE SUI SISTEMI CON CONNESSIONE A BASSA IMPEDENZA

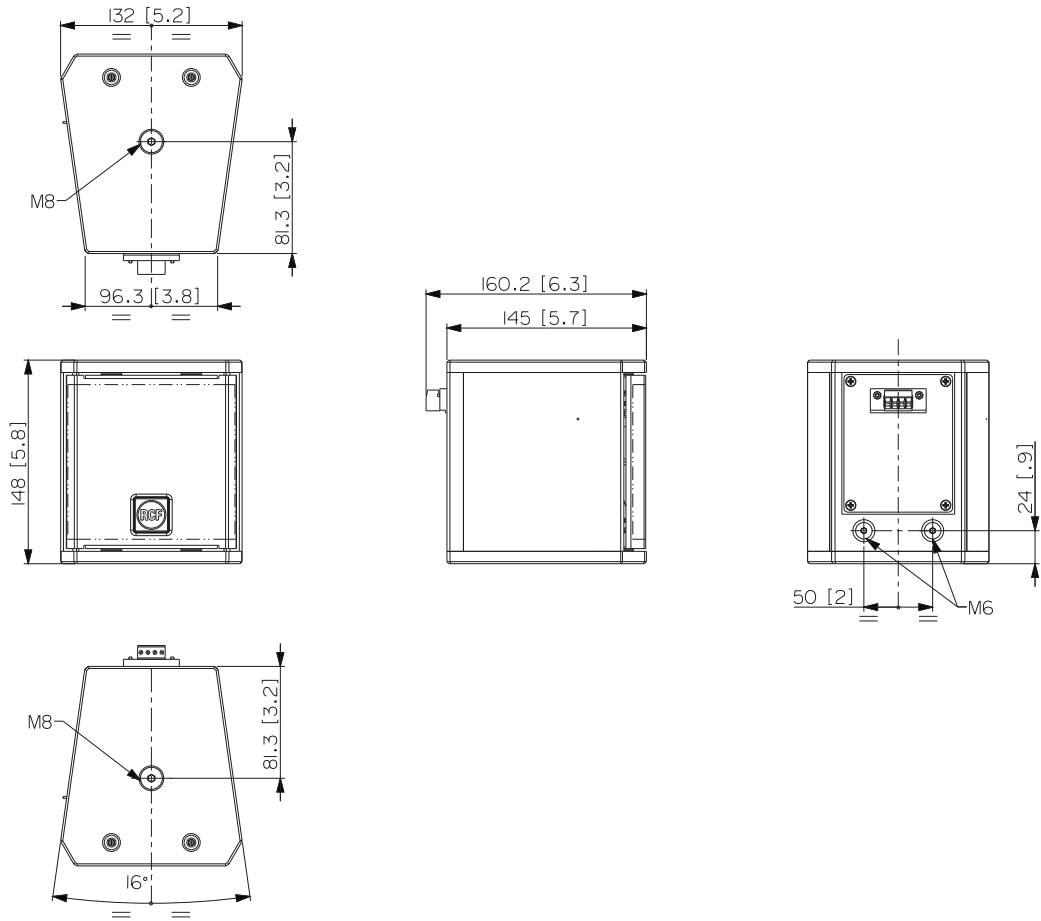
- L'impedenza totale dei diffusori non deve essere inferiore a quella d'uscita dell'amplificatore; nota: l'impedenza complessiva dei diffusori uguale a quella d'uscita dell'amplificatore permette l'erogazione della massima potenza (mentre un'impedenza superiore comporta una riduzione della potenza erogata).
- La somma delle potenze dei diffusori deve essere adeguata alla potenza massima erogabile dall'amplificatore.
- La lunghezza delle linee diffusori deve essere ridotta al minimo (una lunga distanza può comportare l'uso di cavi con sezioni elevate).

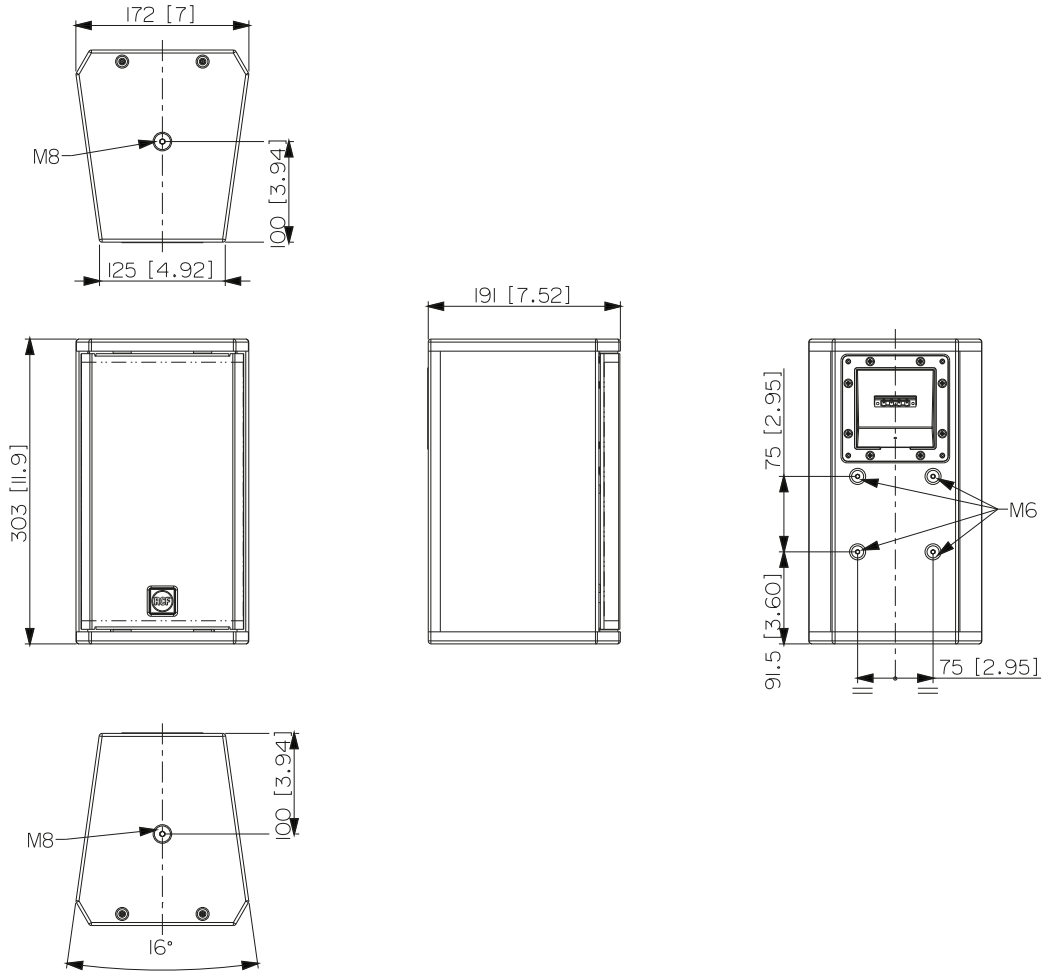


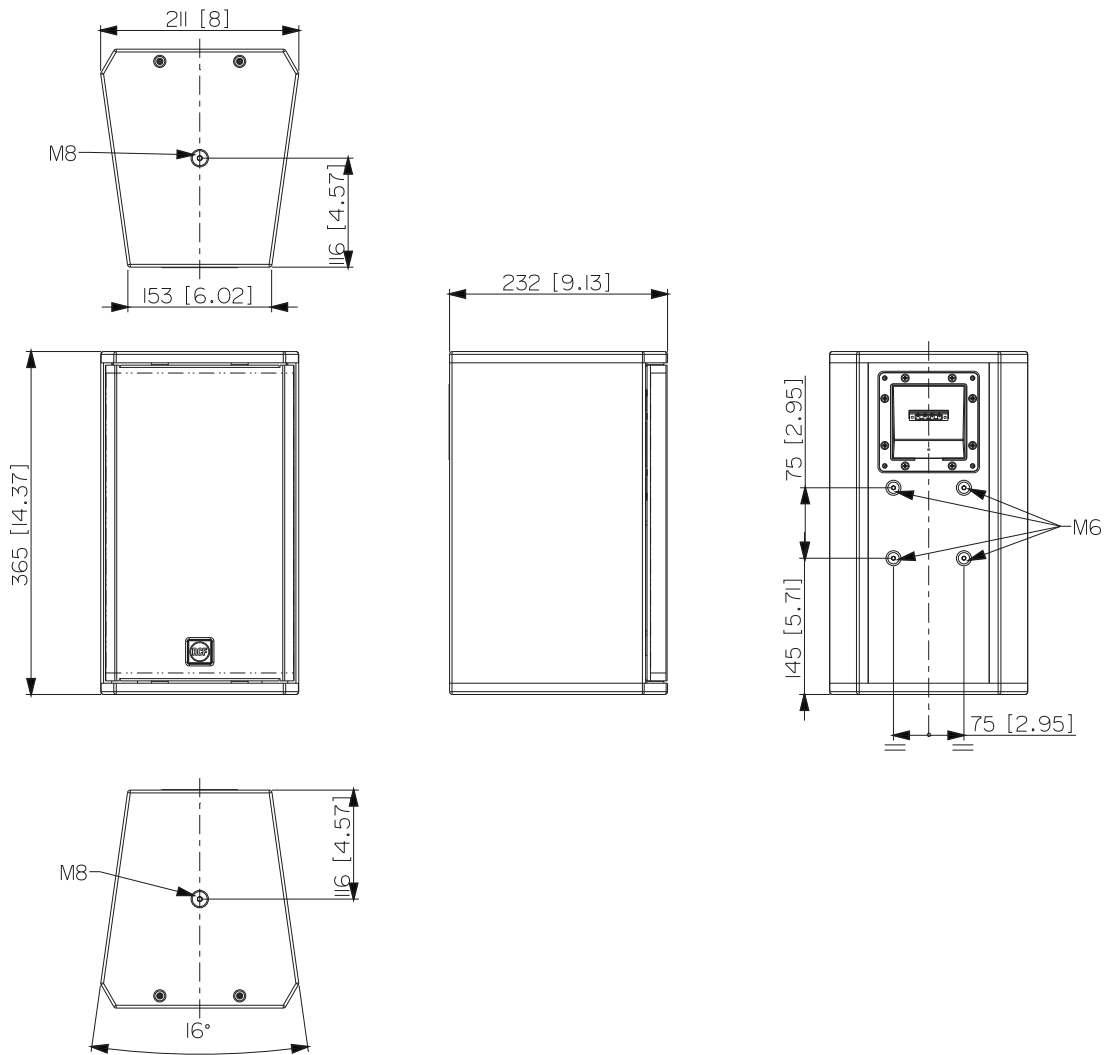
- Utilizzare dei cavi con conduttori aventi una sezione adeguata, considerando la loro lunghezza e la potenza complessiva dei diffusori.
- Per evitare che fenomeni induttivi diano luogo a ronzii, disturbi e compromettano il funzionamento del sistema, i cavi per i diffusori non devono essere canalizzati assieme ai conduttori dell'energia elettrica, ai cavi microfonici od altre linee.
- Per minimizzare gli effetti induttivi (ronzii) dovuti all'accoppiamento con campi elettromagnetici circostanti, utilizzare cavi con conduttori intrecciati.
- **NON** collegare gli ingressi dei diffusori direttamente ad una linea a tensione costante (es. 100 V).

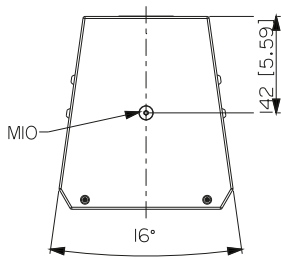
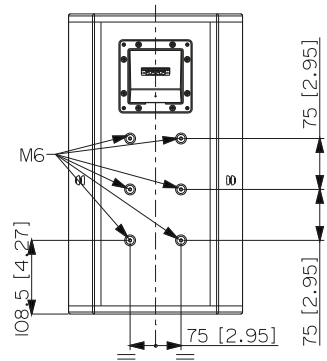
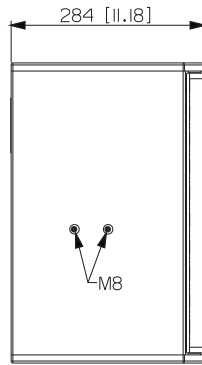
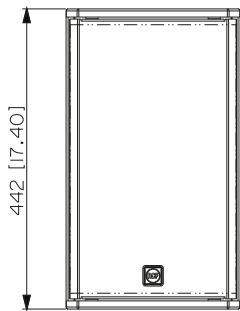
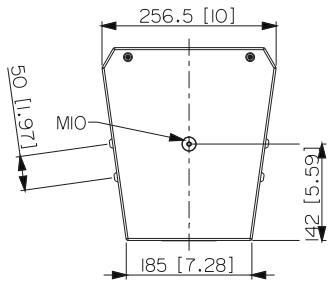


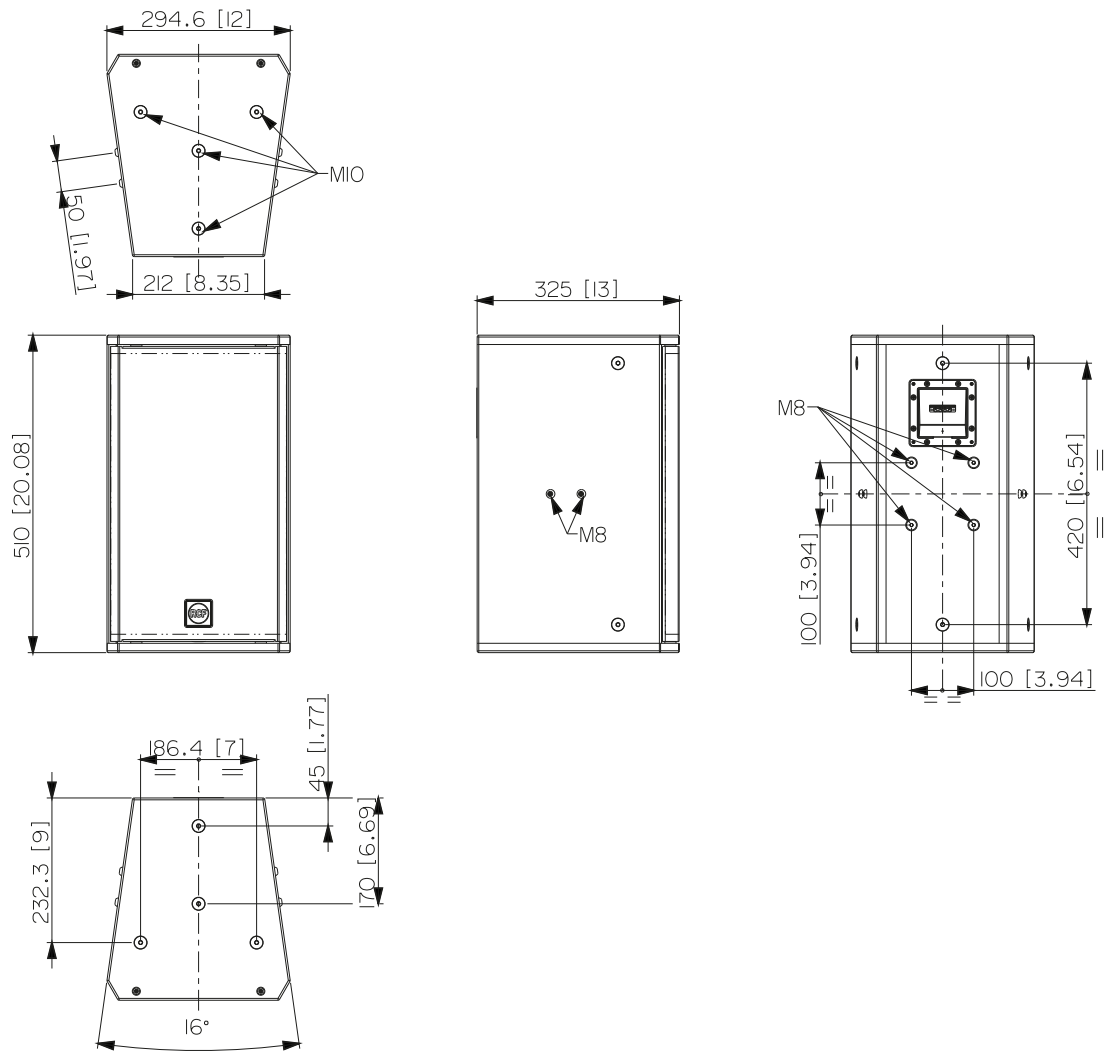
SPECIFICHE ACUSTICHE	COMPACT M 04	COMPACT M 05	COMPACT M 06	COMPACT M 08	COMPACT M 10	COMPACT M 12
Risposta in Frequenza (-10dB)	100 Hz ÷ 20000 Hz	70 Hz ÷ 20000 Hz	60 Hz ÷ 20000 Hz	60 Hz ÷ 20000 Hz	60 Hz ÷ 20000 Hz	55 Hz ÷ 20000 Hz
Max SPL @ 1m (dB)	113 dB	115 dB	116 dB	124 dB	128 dB	129 dB
Angolo di copertura H x V	100° x 100°	100° x 70°	100° x 70°	90° x 70°	90 x 70°	90 x 70°
Indice di Direttività Q	10	10	10	11	11	11
Sensibilità del sistema (dB)	90 dB	89 dB	90 dB	95 dB	98 dB	98 dB
SEZIONE DI POTENZA						
Impedenza Nominale (ohm)	16 ohm	8 ohm	8 ohm	8 ohm	8 ohm	8 ohm
Potenza	60 W RMS	80 W RMS	100 W RMS	200 W RMS	300 W RMS	300 W RMS
Potenza di Picco	240 W PEAK	320 W PEAK	400 W PEAK	800 W PEAK	1200 W PEAK	1200 W PEAK
Amplificatore Raccomandato	120 W	160 W	200 W	400 W	600 W	600 W
Frequenza Crossover	3500 Hz	2200 Hz	2200 Hz	1800 Hz	1800 Hz	1800 Hz
Protezioni	-	-	Dynamic active mosfet	Dynamic active mosfet	Dynamic active mosfet	Dynamic active mosfet
TRASDUTTORI						
ALTE FREQUENZE	1" neo, 1.0" v.c (tweeter a cupola)	1.3" neo, 1.0" v.c (tweeter a cupola)	1.3" neo, 1.0" v.c (tweeter a cupola)	1 x 1.0", 1.4" v.c (compression driver)	1 x 1.0", 1.4" v.c (compression driver)	1 x 1.0", 1.4" v.c (compression driver)
Impedenza Nominale (ohm)	16 ohm	8 ohm	8 ohm	8 ohm	8 ohm	8 ohm
Potenza nominale ingresso	10 W AES, 20 W PICCO	15 W AES, 30 W PICCO	15 W AES, 30 W PICCO	25 W AES, 50 W PICCO	25 W AES, 50 W PICCO	25 W AES, 50 W PICCO
Sensibilità (dB, 1W @ 1m)	91 dB, 1W @ 1m	92 dB, 1W @ 1m	92 dB, 1W @ 1m	107 dB, 1W @ 1m	107 dB, 1W @ 1m	107 dB, 1W @ 1m
WOOFER	4.0", 1" v.c	5.0", 1.2" v.c	6.0", 1.5" v.c	8", 1.7" v.c	10", 2.5" v.c	12", 2.5" v.c
Impedenza Nominale (ohm)	16 ohm	8 ohm	8 ohm	8 ohm	8 ohm	8 ohm
Potenza nominale ingresso	40 W AES, 80 W PICCO	80 W AES, 160 W PICCO	100 W AES, 200 W PICCO	200 W AES, 400 W PICCO	300 W AES, 600 W PICCO	300 W AES, 600 W PICCO
Sensibilità (dB, 1W @ 1m)	90 dB, 1W @ 1m	89 dB, 1W @ 1m	90 dB, 1W @ 1m	94 dB, 1W @ 1m	98 dB, 1W @ 1m	99 dB, 1W @ 1m
SEZIONE INPUT/OUTPUT						
Connettori ingresso e uscita	Euroblock	Euroblock	Euroblock	Euroblock	Euroblock	Euroblock
SPECIFICHE FISICHE						
Materiale Cabinet/Case	Legno multistrato	Legno multistrato	Legno multistrato	Legno multistrato	Legno multistrato	Legno multistrato
Hardware	2 x M6, 2 x M8	4 x M6, 2 x M8	4 x M6, 2 x M8	6 x M6, 4 x M8, 2 x M10	8 x M8, 8 x M10	8 x M8, 8 x M10
Griglia	Acciaio verniciato	Acciaio verniciato	Acciaio verniciato	Acciaio verniciato	Acciaio verniciato	Acciaio verniciato
Colore	Nero	Nero	Nero	Nero	Nero	Nero
DIMENSIONI						
Altezza	148 mm / 5.83 inches	303 mm / 11.93 inches	365 mm / 14.37 inches	442 mm / 17.4 inches	510 mm / 20.08 inches	620 mm / 24.41 inches
Larghezza	132 mm / 5.2 inches	172 mm / 6.77 inches	211 mm / 8.31 inches	257 mm / 10.12 inches	295 mm / 11.61 inches	362 mm / 14.25 inches
Profondità	145 mm / 5.71 inches	191 mm / 7.52 inches	232 mm / 9.13 inches	284 mm / 11.18 inches	325 mm / 12.8 inches	404 mm / 15.91 inches
Peso	2.3 kg / 5.07 lbs	4.5 kg / 9.92 lbs	5.5 kg / 12.13 lbs	13.5 kg / 29.76 lbs	17 kg / 37.48 lbs	22 kg / 48.5 lbs

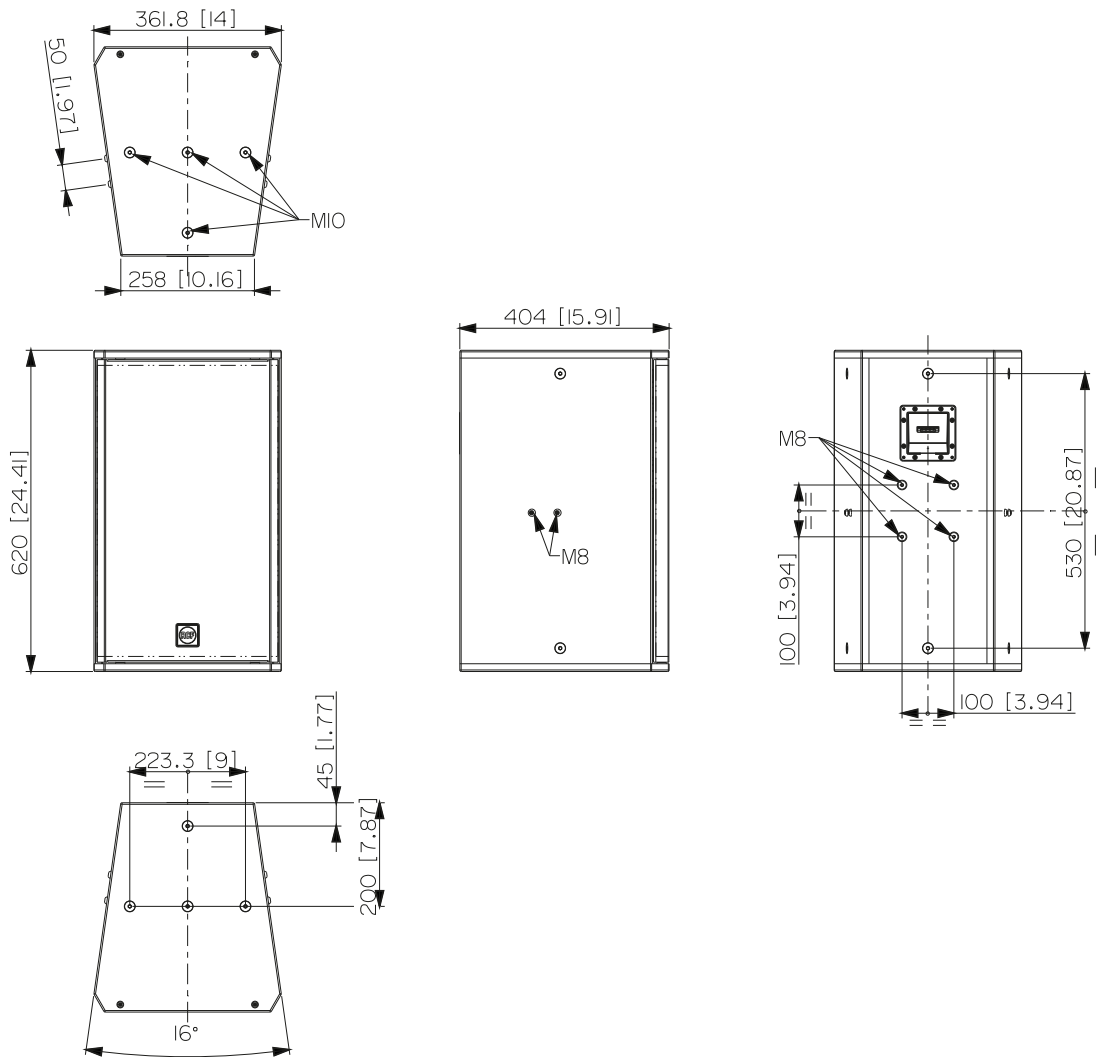












www.rcf.it



RCF SpA: Via Raffaello, 13 - 42124 Reggio Emilia - Italy
tel. +39 0522 274411 - fax +39 0522 274484 - e-mail: rcfservice@rcf.it

10307702 RevA