



Technische Informationen

Engineering Data Sheet

Sub 2.18

2 x 18"
Subwoofer

Features:

- Power Handling Rated 1000 W / 4 Ohms Peak 4000 W
- Dual 18" EVS-18S LF Transducer
- 102 dB Sensitivity, 138 dB Maximum SPL
- Four Integrated Handles for Easy Portability
- Mounting Points to attach optional WK-C18 Wheel Kit

	Sub 2.18
Order No.	F01U165096
Cabinet	Subwoofer
Configuration	Vented-Direct Radiator
Nominal impedance	4 Ohms
Minimum Impedance	3.3 Ohms
Rated Power RMS	1000 W
Peak Power	4000 W
Sound pressure level	
SPL 1 W / 1 m	102 dB
Max. SPL 1 m (calculated with peak power)	138 dB
Frequency Range (-10 dB)	35 Hz to 250 Hz
Nominal Coverage Angle (Horizontal x Vertical)	Omnidirectional
LF Transducer	2x EVS-18S, 18" (457 mm) Driver
Connectors	2x Neutrik Speakon NL4 Sub 1+ / 1- Wired through 2+ / 2-
Dimensions (W x H x D)	513 mm x 1200 mm x 710 mm (20.2" x 47.2" x 28.0")
Net Weight	66.3 kg (146.2 lbs)
Shipping Weight	71.7 kg (158.1 lbs)
Enclosure material	MDF with D-PUR PLUS
Grille	Steel, Black Finish with Acoustic Gauze
Warranty	5 years
Optional Accessories	
WK-C18	F01U169672
Spare Parts	
LF Transducer	F01U105741



Wir weisen ausdrücklich darauf hin, dass bei gehängten Lautsprecherboxen die einschlägigen Sicherheitsbestimmungen zu beachten sind. Es muss unbedingt qualifizierte Fachberatung in Anspruch genommen werden!

We expressly point out that the relevant safety regulations must be observed for "flying" loudspeaker systems. It is imperative that qualified expert advice is sought.

WARNING:

THIS LOUDSPEAKER SYSTEM CAN PERMANENTLY DAMAGE HEARING! USE EXTREME CARE WHEN SETTING SOUND PRESSURE LEVELS!

DANGER:

CONSULT A CERTIFIED STRUCTURAL ENGINEER BEFORE ANY ATTEMPT TO SUSPEND THIS LOUDSPEAKER! LOUDSPEAKER CAN FALL FROM IMPROPER SUSPENSION, RESULTING IN SEVERE INJURY AND DAMAGE OF PROPERTY. DO NOT SUSPEND OR MOUNT ANY OTHER PRODUCT OR DEVICE FROM THIS LOUDSPEAKER ENCLOSURE! USE GRADE 5 HARDWARE OR BETTER ONLY!

Beschreibung

Der Sub 2.18 ist ein Doppel-18" Hochleistungs-Subwoofer für sehr hohe Schalldrücke: Sensitivity 102 dB 1 W/1 m, SPLmax 138 dB. Seine Belastbarkeit beträgt 1000 W Continuous und 4000 W Peak. Der Sub 2.18 kann universell für Aktiv 2-Weg oder 3-Weg Systeme eingesetzt werden.

Er ist vor allem aber auch die ideale Ergänzung der C 25.2 zum Aufbau eines Aktiv-2-Weg Systems wird zusammen mit den Controllern DSP 260 oder DSP 600 und Endstufen der Serien SL oder LX. Geeignete Presets stehen für beide Controller zur Verfügung, bei Verwendung des DSP 600 auch ein FIR-TUNE Preset. Der Sub 2.18 ist vorbereitet für das optional erhältliche Wheelkit WK-C18.

Description

The Sub 2.18 is a double 18", high-powered subwoofer for very high sound pressure levels: sensitivity 102 dB 1W / 1m, SPLmax 138 dB. Boasting power handling of 1000 W continuous and 4000 W peak, the Sub 2.18 can be used universally for active two-way or three-way systems.

It is above all, however, the ideal companion to the C 25.2 for the creation of an active two-way system together with the DSP 260 and DSP 600 controllers and power amplifiers from the SL or LX series. Suitable presets are available for both controllers as well as a FIR-TUNE preset for the DSP 600. The Sub 2.18 is prepared for the optionally available WK-C18 wheel kit.

Illustration 1: Dimensions

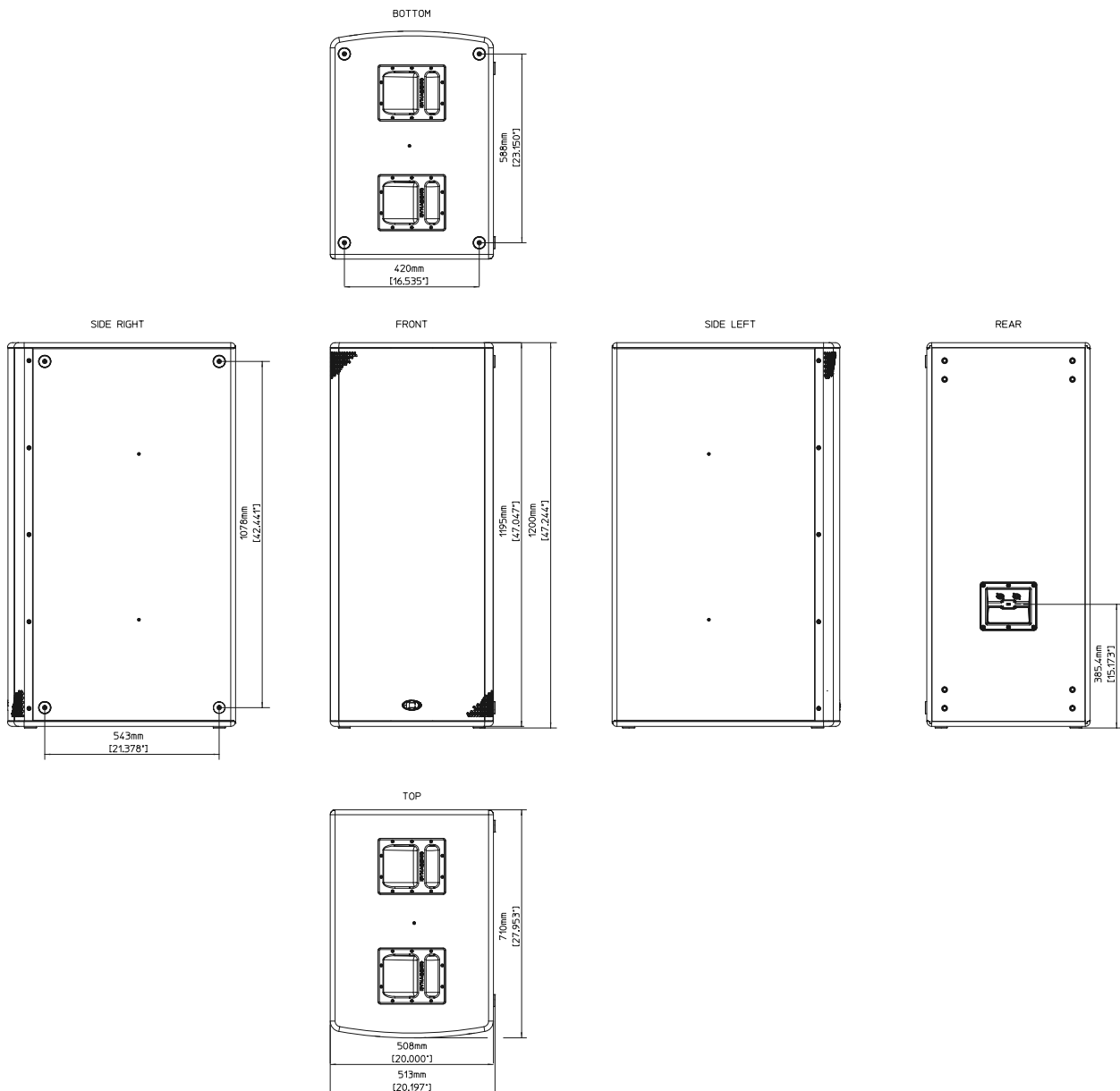


Illustration 2: Frequency Response

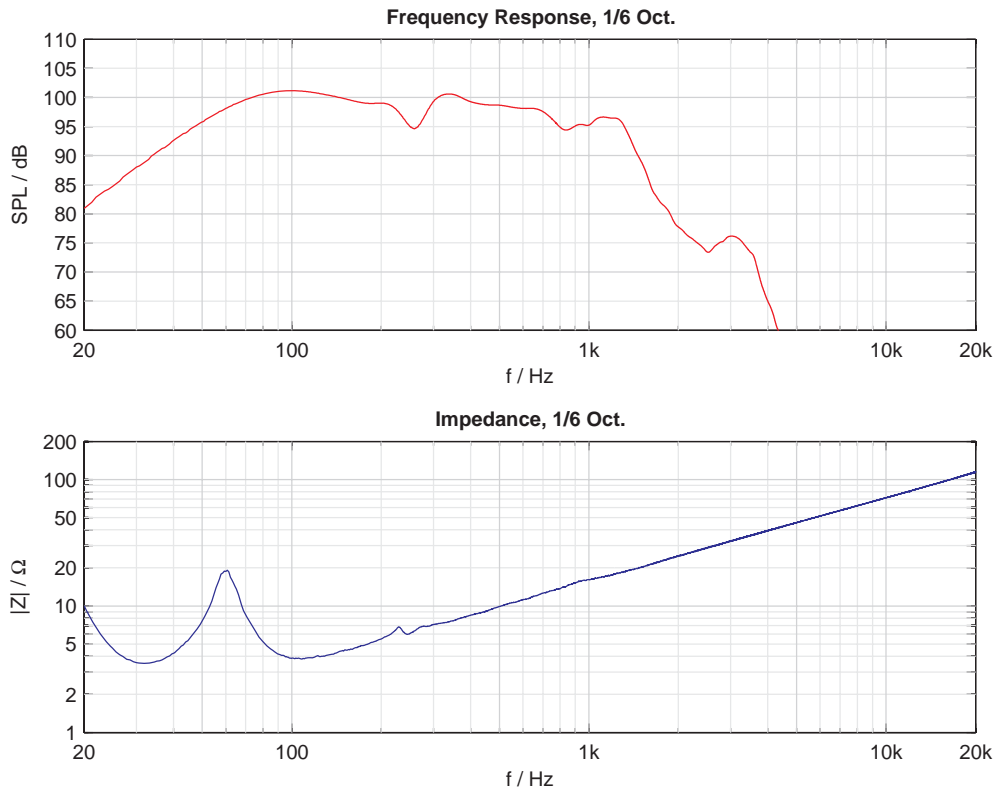


Illustration 3: Block diagram

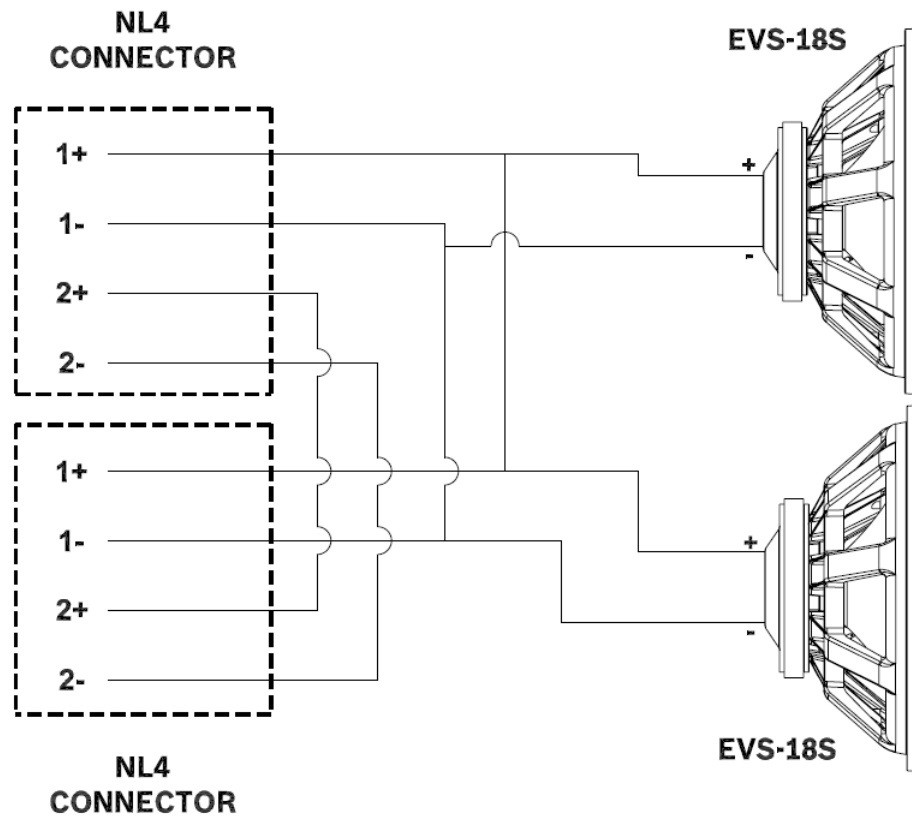
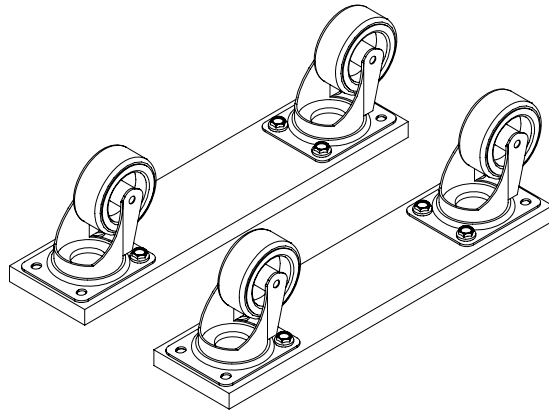


Illustration 4: Optional Wheel Kit WK-C18



12000 Portland Avenue South, Burnsville, MN 55337, USA
Phone: +1 952/844-4051, Fax: +1 952/884-0043

www.dynacord.com

© Bosch Communications Systems 09/2010
Part Number F01U167457 Vs 01

Europe, Africa, and Middle East only. For customer orders, contact Customer Service at:
+49 9421-706 0 Fax: +49 9421-706 265

Asia & Pacific only. For customer orders, contact Customer Service at:
+65 6571 2534 Fax: +65 6571 2699

For technical assistance, contact Technical Support at: **+49 9421-706 0**

Specifications subject to change without notice.