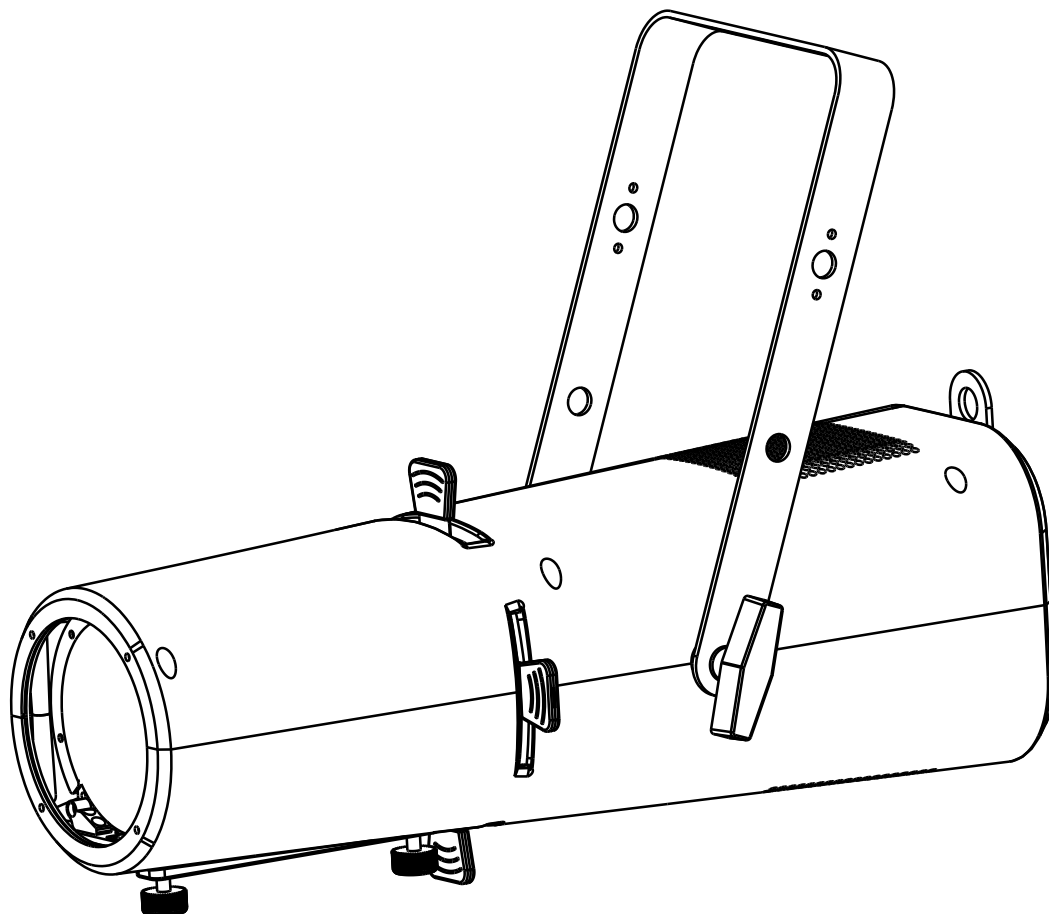


BT-PROFILE HD



ENGLISH

Operation Manual

Other languages can be downloaded from:
WWW.BRITEQ-LIGHTING.COM

CE

Version: 1.0

BriteQ[®]
LIGHT RESEARCH



EN - DISPOSAL OF THE DEVICE

Dispose of the unit and used batteries in an environment friendly manner according to your country regulations.

FR - DÉCLASSER L'APPAREIL

Débarrassez-vous de l'appareil et des piles usagées de manière écologique Conformément aux dispositions légales de votre pays.

NL - VERWIJDEREN VAN HET APPARAAT

Verwijder het toestel en de gebruikte batterijen op een milieuvriendelijke manier conform de in uw land geldende voorschriften.

DU - ENTSORGUNG DES GERÄTS

Entsorgen Sie das Gerät und die Batterien auf umweltfreundliche Art und Weise gemäß den Vorschriften Ihres Landes.

ES - DESHACERSE DEL APARATO

Reciclar el aparato y pilas usadas de forma ecologica conforme a las disposiciones legales de su país.

PT - COMO DESFAZER-SE DA UNIDADE

Tente reciclar a unidade e as pilhas usadas respeitando o ambiente e em conformidade com as normas vigentes no seu país.

OPERATION MANUAL

Thank you for buying this Briteq® product. To take full advantage of all possibilities and for your own safety, please read these operating instructions very carefully before you start using this unit.

FEATURES

- A very compact but powerful “ALL-IN-1” full color LED profile with:
 - Integrated manual 25° ~ 50° zoom.
 - 4 blade shutter framing system to make sharp beam cuts.
- No more need for separate white and color projectors, BT-PROFILE HD does it all:
 - Perfect WHITE with high CRI > 90Ra and CCT presets
 - Rich COLOR selection with color presets!
- Thanks to the **CCS Color Calibration System** the color differences between different batches is a problem of the past, while this profile also works perfectly together with our existing BT-THEATRE HD2:
 - The same CCT presets for white, ranging from 1800K to 10000K !
 - The same 48 calibrated color presets (according to LEE® / ROSCO® numbering)
- Based on a 150watt 5-color RGBAL LED-cluster (Red, Green, Blue, Amber, Lime)
- Very silent operation with low noise cooling fan and different presets (live, studio, ...)
- DMX-controlled: 6 different channel modes for maximum flexibility
- RDM-functionality for easy remote setup: DMX addressing, channel mode, ...
- Flicker free TV-recordings thanks to the adjustable high LED-refresh rate!
- Four dimmer settings with different behavior & speed.
- Manual control for dimming, colors, CCT & zoom.
- OLED-display to navigate easily through the setup menu!
- In case of DMX failure, you can choose between blackout and freeze mode.
- Lock function to avoid unwanted altering of the settings.
- Lightweight but rugged housing.
- 5pin DMX in/outputs + PowerCON TRUE1 in/outputs for easy daisy chaining.

BEFORE USE

- Before you start using this unit, please check if there's no transportation damage. Should there be any, do not use the device and consult your dealer first.
- **Important:** This device left our factory in perfect condition and well packaged. It is absolutely necessary for the user to strictly follow the safety instructions and warnings in this user manual. Any damage caused by mishandling is not subject to warranty. The dealer will not accept responsibility for any resulting defects or problems caused by disregarding this user manual.
- Keep this booklet in a safe place for future consultation. If you sell the fixture, be sure to add this user manual.

Check the contents:

Check that the carton contains the following items:

- BT-PROFILE HD
- Power cable
- Safety cable
- English operating instructions, other languages can be downloaded from our website.

SAFETY INSTRUCTIONS:



CAUTION
RISK OF ELECTRIC SHOCK
DO NOT OPEN



CAUTION: To reduce the risk of electric shock, do not remove the top cover. No user-serviceable parts inside. Refer servicing to qualified service personnel only.



The lightning flash with arrowhead symbol within the equilateral triangle is intended to alert the user to the presence of un-insulated “dangerous voltage” within the product’s enclosure that may be of sufficient magnitude to constitute a risk of electric shock.



The exclamation point within the equilateral triangle is intended to alert the user to the presence of important operation and maintenance (servicing) instructions in the literature accompanying this appliance.



This symbol means: indoor use only



This symbol means: Read instructions



This symbol determines: the minimum distance from lighted objects. The minimum distance between light-output and the illuminated surface must be more than 1 meters

RISK GROUP 2
CAUTION:
Do not stare at operating lamp

CAUTION: Do not stare at operating lamp.
May be harmful to the eyes.

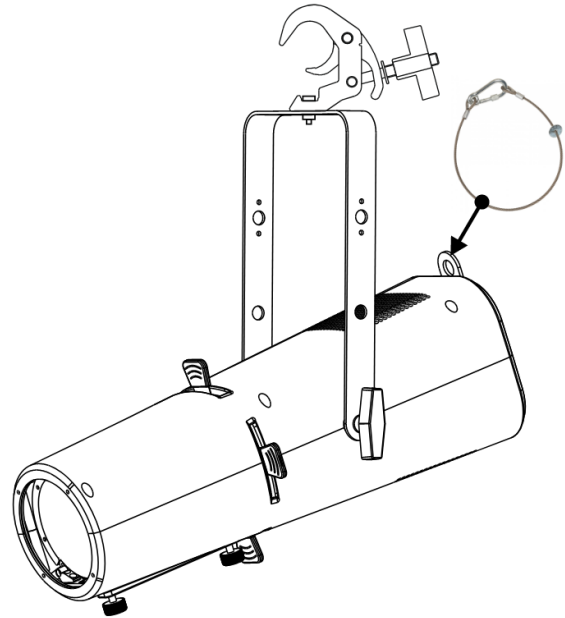
- To protect the environment, please try to recycle the packing material as much as possible.
- To prevent fire or shock hazard, do not expose this appliance to rain or moisture.
- To avoid condensation to be formed inside, allow the unit to adapt to the surrounding temperatures when bringing it into a warm room after transport. Condense sometimes prevents the unit from working at full performance or may even cause damages.
- This unit is for indoor use only.
- Don't place metal objects or spill liquid inside the unit. Electric shock or malfunction may result. If a foreign object enters the unit, immediately disconnect the mains power.
- Locate the fixture in a well-ventilated spot, away from any flammable materials and/or liquids. The fixture must be fixed at least 50cm from surrounding walls.
- Don't cover any ventilation openings as this may result in overheating.
- Prevent use in dusty environments and clean the unit regularly.
- Keep the unit away from children.
- Inexperienced persons should not operate this device.
- Maximum safe ambient temperature is 40°C. Don't use this unit at higher ambient temperatures.
- Make sure the area below the installation place is free from unwanted persons during rigging, de-rigging and servicing.
- Allow the device about 10 minutes to cool down before to start servicing.
- Always unplug the unit when it is not used for a longer time or before to start servicing.
- The electrical installation should be carried out by qualified personal only, according to the regulations for electrical and mechanical safety in your country.
- Check that the available voltage is not higher than the one stated on the unit.
- The power cord should always be in perfect condition. Switch the unit immediately off when the power cord is squashed or damaged. It must be replaced by the manufacturer, its service agent or similarly qualified persons in order to avoid a hazard.
- Never let the power-cord come into contact with other cables!
- This fixture must be earthed in order to comply with safety regulations.
- Don't connect the unit to any dimmer pack.
- Always use an appropriate and certified safety cable when installing the unit.
- In order to prevent electric shock, do not open the cover. Apart from the mains fuse there are no user serviceable parts inside.
- **Never** repair a fuse or bypass the fuse holder. **Always** replace a damaged fuse with a fuse of the same type and electrical specifications!
- In the event of serious operating problems, stop using the fixture and contact your dealer immediately.
- The housing and the lenses must be replaced if they are visibly damaged.
- Please use the original packing when the device is to be transported.
- Due to safety reasons it is prohibited to make unauthorized modifications to the unit.

Important: Never look directly into the light source! Don't use the effect in the presence of persons suffering from epilepsy.

OVERHEAD RIGGING

Important: The installation must be carried out by qualified service personal only. Improper installation can result in serious injuries and/or damage to property. Overhead rigging requires extensive experience! Working load limits should be respected, certified installation materials should be used, the installed device should be inspected regularly for safety.

- Make sure the area below the installation place is free from unwanted persons during rigging, de-rigging and servicing.
- Locate the fixture in a well-ventilated spot, far away from any flammable materials and/or liquids. The fixture must be fixed **at least 50cm** from surrounding walls.
- The device should be installed out of reach of people and outside areas where persons may walk by or be seated.
- Before rigging make sure that the installation area can hold a minimum point load of 10times the device's weight.
- Always use a certified safety cable that can hold 12times the weight of the device when installing the unit. This secondary safety attachment should be installed in a way that no part of the installation can drop more than 20cm if the main attachment fails.
- The device should be well fixed; a free-swinging mounting is dangerous and may not be considered!
- Don't cover any ventilation openings as this may result in overheating.
- The operator has to make sure that the safety-relating and machine-technical installations are approved by an expert before using them for the first time. The installations should be inspected every year by a skilled person to be sure that safety is still optimal.



SETUP MENU / HOW TO SETUP

With the setup menu you can fully configure the projector. All settings are preserved when the unit is disconnected from the mains.

- [MENU] button: press to enter / leave the setup menu.
- ▶ [ENTER] button: press to select / confirm or store the current menu option or value.
- ▲/▼ [UP/DOWN] button: press to navigate the setup menu or change a value.

STATIC	RED	0-255		Combine [RED] [GREEN] [BLUE] [LIME] [AMBER] [CYAN] to create an infinite range of colors (0-255).	
	GREEN	0-255			
	BLUE	0-255			
	AMBER	0-255			
	LIME	0-255			
	STROBE	0-25			Set the value of the [STROBE] (0-25Hz).
ADDRESS	001-512 (default 001)		Set the DMX ADDRESS		
RUN MODE	DMX (default)		[DMX] Using the DMX 512 controller to control.		
	SLAVE		[SLAVE] for Master/Slave operation.		
PERSONALITY	BASIC		Use the menu to select desired channel mode		
	SSP				
	TOUR (default)				
	TR16				
	HSIC				
	CMY				
AUTO PROGRAM	AUTO 1	0-255		Selects automatic AUTO program and AUTO program speed. Programs [CUSTOM 1] to [CUSTOM 2] are fully pre-programmed and can be edited in [EDIT] mode.	
	AUTO 2	0-255			
	...	0-255			
	AUTO 10	0-255			
	PR 1				
	PR 2				
EDIT	PROGRAM 1-2	SCENE 01-10	RED	0-255	Enter the [EDIT] mode to edit the custom programs [PROGRAM01] to [PROGRAM2]. Each custom program has 30 scenes that can be edited. Fade transition time: time 0-255 unit in seconds, fade time setting should be less than time setting. After editing the program, Play in AUTO.
			GREEN	0-255	
			BLUE	0-255	
			AMBER	0-255	
			LIME	0-255	
			STROBE	0-25	
			TIME	0-255	
			FADE	0-255	
	UPLOAD	****	SEND		Select [UPLOAD] to upload the custom programs
	SETTING	****	RESET	****	RESET
DIMMER			DIM4 (default)		Dimming speed DIM1 (fast) to DIM4 (slow) ;
			OFF		
DMX			SAVE (default)		Hold after loss of DMX signal
ERROR			BLACK		Blackout after loss of DMX signal
LED PWM			1200Hz (default)		Sets the PWM frequency
			2400Hz		
			4000Hz		
			6000Hz		
			25000Hz		
PERFORM			LIVE (default)		Fan mode low speed
			POWER		Fast rotation of fan, all power
			STUDIO		Automatic rotation of fan
DISP KEY	ON (default)		Locks display (passcode is <UP>, <DOWN >, <UP>, <DOWN>, <ENTER>)		
	OFF				

		DISP TIME	ON	Display backlight always on
			10s	Turns off display backlight after 10s / 30s / 2min of inactivity
			30s (default)	
			2min	
		FIXTURE HOURS		Hours of fixture use
		VERSION		Software versions
INFO	RDM	UID	0x21220xxxxxx	Check fixture's ID
		LABEL	BT-PROFILE HD	Check fixture's LABEL
CCT	1800K	Preset color temperatures		
	2200K			
	2700K			
	3000K			
	3200K			
	4000K			
	4500K			
	5000K			
	5600K			
	6000K			
	6500K			
	7000K			
	8000K			
	10000K			
PRESET COLOR	COLOR 1	Preset color (See Annex I for details)		
	COLOR 2			
	...			
	COLOR 48			
All passwords of this product are <UP>, <DOWN>, <UP>, <DOWN>, <ENTER>				

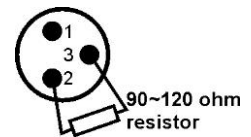
ELECTRICAL INSTALLATION



Important: The electrical installation should be carried out by qualified personal only, according to the regulations for electrical and mechanical safety in your country.

Electrical installation for two or more units in DMX-mode:

- The DMX-protocol is a widely used high speed signal to control intelligent light equipment. You need to “daisy chain” your DMX controller and all the connected units.
- Pin layout XLR-3pin: Pin1 = GND ~ Pin2 = Negative signal (-) ~ Pin3 = Positive signal (+)
- To prevent strange behavior of the light effects, due to interferences, you must use a 90Ω to 120Ω terminator at the end of the chain. Never use Y-splitter cables, this simply won't work!
- Make sure that all units are connected to the mains.
- Each unit in the chain needs to have its proper starting address so it knows which commands from the controller it has to decode.



RDM FUNCTIONS / REMOTE SETUP

RDM means “Remote Device Management”. This projector works with a brief set of RDM-functions which means that it can setup a bi-directional communication with an RDM-compatible DMX-controller. Some of these functions are briefly explained below, others will be added in the future.

- The DMX-controller sends out a “discovery command”, all RDM devices respond and send their unique device ID.
- The DMX-controller asks each RDM device for some basic data so it knows which devices are connected. The projector will respond:
 - **Device name:** BT-PROFILE HD
 - **Manufacturer:** Briteq®
 - **Category:** LED Dimmer
 - **Firmware:** x.x.x.x (firmware version of the projector)

- **DMX address:** xxx (current DMX start address of the projector)
- **DMX footprint:** xx (number of DMX-channels used by the projector)
- **Personality:** xx (current personality [or DMX-working mode] used by the projectors)
- The DMX-controller can send certain commands to each RDM device which allow remote setup of the units. Thanks to this the projector can be setup remotely.

The following functions can be managed remotely:

No more need to take a ladder and set all units one by one!

- **DMX START ADDRESS:** The start address can be set remotely from 001 to xxx.
- **PERSONALITY:** The DMX working mode (DMX-chart) can be set remotely.

These 2 functions make it possible to prepare a complete DMX-patch of all projectors on the DMX-controller and send these data to all projectors at once. More functions will be added later.

DMX CHARTS

Personalities: Basic (3CH) + SSP (7CH) + HSIC (8 CH) + CMY (10CH) + TOUR (12CH) + TR16 (18CH)

BASIC (3CH)	SSP (7CH)	TOUR (12CH)	TR16 (18CH)	HSIC (7CH)	CMY (10CH)	Function	Values
1	1	1	1	1	1	Dimmer	0-255 Intensity 0 to 100%
--	--	--	2	--	--	Dimmer fine	0-255 Dimmer intensity fine
--	2	2	3	--	--	Red	0-255 0 to 100%
--	--	--	4	--	--	Red fine	0-255 Red fine
--	3	3	5	--	--	Green	0-255 0 to 100%
--	--	--	6	--	--	Green fine	0-255 Green fine
--	4	4	7	--	--	Blue	0-255 0 to 100%
--	--	--	8	--	--	Blue fine	0-255 Blue fine
--	5	5	9	--	--	Amber	0-255 0 to 100%
--	--	--	10	--	--	Amber fine	0-255 Amber fine
--	6	6	11	--	--	Lime	0-255 0 to 100%
--	--	--	12	--	--	Lime fine	0-255 Lime fine
--	--	--	--	2	--	Hue	0-255 Hue 0 to 360°
--	--	--	--	3	--	Hue fine	0-255 Hue fine
--	--	--	--	4	--	Saturation	0-255 Saturation 0 to 100%
--	--	--	--	--	2	Cyan	0-255 0 to 100%
--	--	--	--	--	3	Magenta	0-255 0 to 100%
--	--	--	--	--	4	Yellow	0-255 0 to 100%
2	--	7	13	--	5	Color presets	0-010 Disabled 011-255 Preset colors (annex 1 for details)
3	--	8	14	5	6	Linear CCT	0-9 Disabled 010 1800K 025 2200K 040 2700K 055 3000K 070 3200K 085 4000K 100 4500K 115 5000K 130 5600K 145 6000K 160 6500K 175 7000K 190 8000K 205 10000K 255 10000K
--	--	9	15	--	7	Auto programs	0-040 Disabled 41-50 AUTO 1

							51-60	AUTO 2
							61-70	AUTO 3
							71-80	AUTO 4
							81-90	AUTO 5
							91-100	AUTO 6
							101-110	AUTO 7
							111-120	AUTO 8
							121-130	AUTO 9
							131-140	AUTO 10
							141-150	PROGRAM 1
							151-160	PROGRAM 2
							161-255	No function
--	--	10	16		8	Auto speed	0-255	Slow to fast
							000-009	Open
							010-099	Strobe (0-25Hz)
--	7	11	17	6	9	Shutter	100-109	Open
							110-179	THUNDER STROBE
							180-189	Open
							190-255	Random Strobe
							000-060	No function
							061-070	Fan mode = Live *
							071-080	Fan mode = Studio *
							081-090	Fan mode = Power *
							091-100	Reserved
							101-110	Dimmer speed off *
							111-120	Dimmer speed Dim4 *
--	--	12	18	7	10	Control	121-150	Reserved
							151-160	PWM = 1200Hz *
							161-170	PWM = 2400Hz *
							171-180	PWM = 4000Hz *
							181-190	PWM = 6000Hz *
							191-200	PWM = 25000Hz *
							201-210	All reset *
							211-255	Reserved

*Function will be activated after 3s

MAINTENANCE

- Make sure the area below the installation place is free from unwanted persons during servicing.
- Switch off the unit, unplug the mains cable and wait until the unit has been cooled down.

During inspection the following points should be checked:

- All screws used for installing the device and any of its parts should be tightly fastened and may not be corroded.
- Housings, fixations and installations spots (ceiling, truss, suspensions) should be totally free from any deformation.
- When an optical lens is visibly damaged due to cracks or deep scratches, it must be replaced.
- The mains cables must be in impeccable condition and should be replaced immediately when even a small problem is detected.
- In order to protect the device from overheat the cooling fans (if any) and ventilation openings should be cleaned monthly.
- The interior of the device should be cleaned annually using a vacuum cleaner or air-jet.
- The cleaning of internal and external optical lenses and/or mirrors must be carried out periodically to optimize light output. Cleaning frequency depends on the environment in which the fixture operates: damp, smoky or particularly dirty surroundings can cause greater accumulation of dirt on the unit's optics.
 - Clean with a soft cloth using normal glass cleaning products.
 - Always dry the parts carefully.

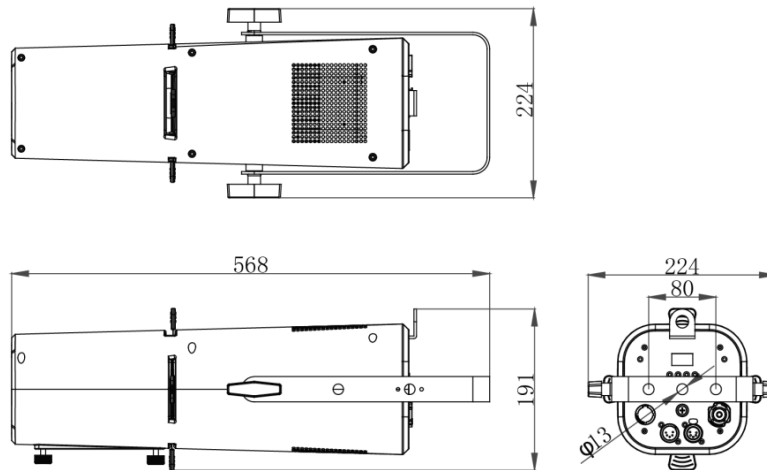
Attention: We strongly recommend internal cleaning to be carried out by qualified personnel!

SPECIFICATIONS

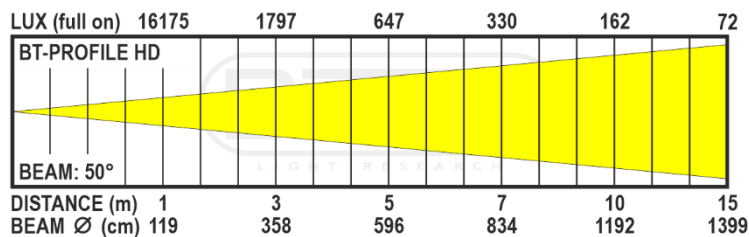
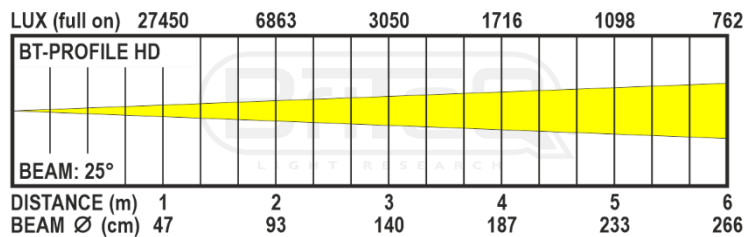
This unit is radio-interference suppressed. This product meets the requirements of the current European and national guidelines. Conformity has been established and the relevant statements and documents have been deposited by the manufacturer.

Mains Input:	AC 100 - 240V, 50/60Hz
Fuse:	T3.15A / 250V (20x5mm)
Power consumption (max):	170 Watts
Power connections:	Lockable IP Power connector, input / output
Power Linking capacity:	6A @ 240V
DMX connections:	5 pin-XLR male / female inputs + outputs
Lamp:	RGBAL LED 170W
CRI:	>90
Beam Angle:	manual zoom 25° ~ 50°
IP-Rating:	IP20
Operating Temperature:	0°C – 45°C
Size:	See drawing
Weight:	6,2 kg

DIMENSIONS:



LUX CHARTS



ANNEX 1 → COLOR PRESETS + LEE / ROSCO FILTER NAMES + CIE 1931 X/Y coordinates

PRESET	VALUE	COLOR NAME		X	Y
	000-010	NO FUNCTION			
COLOR 1	011-015	L176	Loving Amber	0.407	0.321
COLOR 2	016-020	R40	Light Salmon	0.499	0.321
COLOR 3	021-025	L24	Scarlet	0.561	0.296
COLOR 4	026-030	L164	Flame Red	0.659	0.302
COLOR 5	031-035	L747	Easy White	0.389	0.344
COLOR 6	036-040	R303	Warm Peach	0.448	0.353
COLOR 7	041-045	L08	Dark Salmon	0.498	0.347
COLOR 8	046-050	L25	Sunset Red	0.566	0.359
COLOR 9	051-055	L04	Medium Bastard Amber	0.37	0.335
COLOR 10	056-060	L237	C.I.D. (To Tungsten)	0.43	0.365
COLOR 11	061-065	R321	Soft Golden Amber	0.477	0.406
COLOR 12	066-070	L652	Urban Sodium	0.535	0.399
COLOR 13	071-075	L212	L.C.T. Yellow (Y1)	0.34	0.363
COLOR 14	076-080	L765	LEE Yellow	0.389	0.412
COLOR 15	081-085	L513	Ice and a Slice	0.38	0.447
COLOR 16	086-090	L100	Spring Yellow	0.41	0.502
COLOR 17	091-095	L244	LEE Plus Green	0.324	0.388
COLOR 18	096-100	R4430	Cal Color 30 Green	0.318	0.44
COLOR 19	101-105	L122	Fern Green	0.234	0.543
COLOR 20	106-110	L90	Dark Yellow Green	0.184	0.641
COLOR 21	111-115	L243	LEE Fluorescent 3600K	0.286	0.37
COLOR 22	116-120	R92	Turquoise	0.235	0.36
COLOR 23	121-125	R94	Kelly Green	0.185	0.459
COLOR 24	126-130	L327	Forest Green	0.162	0.496
COLOR 25	131-135	L191	Cosmetic Aqua Blue	0.3	0.318
COLOR 26	136-140	L728	Steel Green	0.256	0.302
COLOR 27	141-145	L117	Steel Blue	0.223	0.278
COLOR 28	146-150	L354	Special Steel Blue	0.173	0.265
COLOR 29	151-155	L53	Paler Lavender	0.284	0.284
COLOR 30	156-160	L501	New Color Blue	0.246	0.249
COLOR 31	161-165	L174	Dark Steel Blue	0.204	0.205
COLOR 32	166-170	L165	Daylight Blue	0.159	0.158
COLOR 33	171-175	L136	Pale Lavender	0.288	0.254
COLOR 34	176-180	L194	Surprise Pink	0.24	0.183
COLOR 35	181-185	L142	Pale Violet	0.209	0.148
COLOR 36	186-190	L700	Perfect Lavender	0.177	0.07
COLOR 37	191-195	L35	Light Pink	0.335	0.289
COLOR 38	196-200	L794	Pretty 'n Pink	0.335	0.251
COLOR 39	201-205	L328	Follies Pink	0.335	0.18
COLOR 40	206-210	L795	Magical Magenta	0.327	0.138
COLOR 41	211-215	L154	Pale Rose	0.35	0.318
COLOR 42	216-220	L127	Smokey Pink	0.397	0.265
COLOR 43	221-225	L192	Flesh Pink	0.41	0.237
COLOR 44	226-230	L332	Special Rose Pink	0.465	0.193
COLOR 45	231-235	L790	Moroccan Pink	0.378	0.324
COLOR 46	236-240	L157	Pink	0.457	0.272
COLOR 47	241-245	R332	Cherry Rose	0.489	0.295
COLOR 48	246-250	L128	Cool LED Bright Pink	0.57	0.263
	251-255	NO FUNCTION			

The information might be modified without prior notice
 You can download the latest version of this user manual on our website: www.briteq-lighting.com



MAILING LIST

EN: Subscribe today to our mailing list for the latest product news!

FR: Inscrivez-vous à notre liste de distribution si vous souhaitez suivre l'actualité de nos produits!

NL: Abonneer je vandaag nog op onze mailinglijst en ontvang ons laatste product nieuws!

DE: Abonnieren Sie unseren Newsletter und erhalten Sie aktuelle Produktinformationen!

ES: Suscríbete hoy a nuestra lista de correo para recibir las últimas noticias!

PT: Inscreva-se hoje na nossa mailing list para estar a par das últimas notícias!

WWW.BRITEQ-LIGHTING.COM

Copyright © 2022 by BEGLEC NV

t Hofveld 2C ~ B1702 Groot-Bijgaarden ~ Belgium

Reproduction or publication of the content in any manner, without express permission of the publisher, is prohibited.