

S 8015 II

HIGH-EFFICIENCY SUBWOOFER

DESCRIPTION

The S8015 II is a compact, high-output, bass reflex subwoofer.

The system is equipped with an advanced, hyperventated 15" RCF precision woofer. It features massive ceramic magnet and high excursion 4" copper voice coil. The cabinet is designed to achieve tight and maximised output. The system is able to produce a Max SPL of 133 dB and handles 1000 Watts AES. The loudspeaker enclosure shape is rectangular and the cabinet is constructed of multi-ply Baltic birch plywood and finished in a very resistant, textured, polyurethane black paint. It features a M20 polemount receptacle, rubber feet, 2 x recessed handles. The front steel grille is epoxy powder coated.



FEATURES

- 15" high-efficiency RCF Precision 4" voice-coil woofer with Inside/Outside Coil Technology
- 133 dB maximum sound pressure level
- Response down to 35 Hz
- Rectangular box enclosure with protective metal grille
- 35 mm standard pole mount in top section of cabinet
- Baltic Birch cabinet painted with black, heavy duty, textured epoxy
- Integrated hand carry points

TECHNICAL SPECIFICATIONS

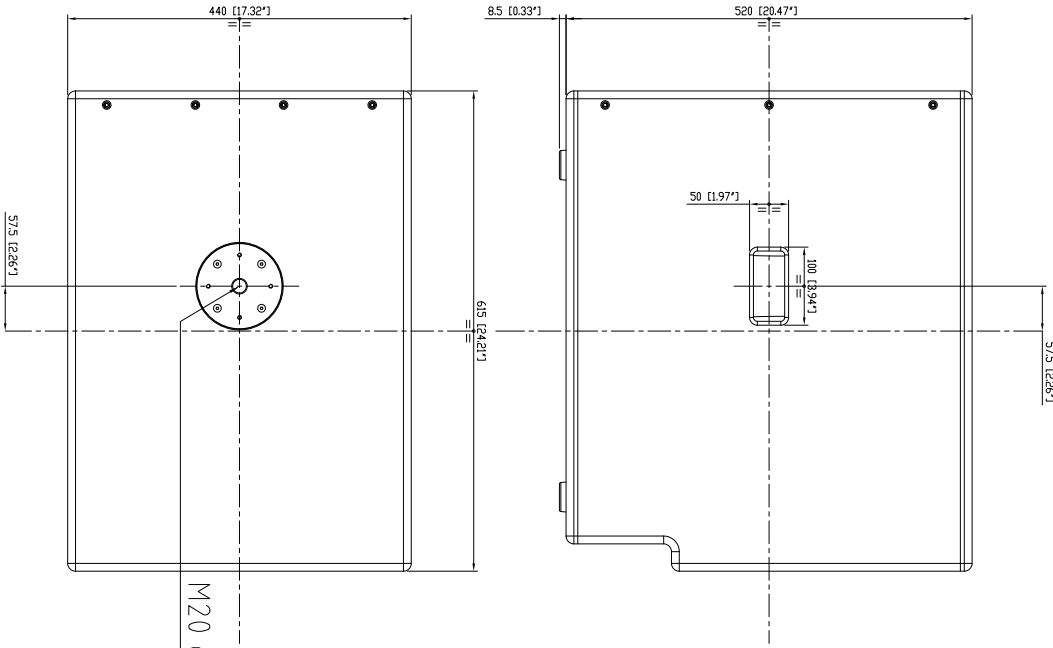
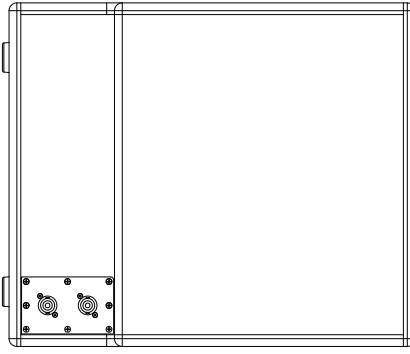
Acoustical specifications	Frequency Response (-10dB):	35 Hz ÷ 200 Hz
	Max SPL @ 1m:	133 dB
	System Sensitivity:	98 dB
Power section	Amplification:	Full Range
	Nominal Impedance:	8 ohm
	Power Handling:	1500 W
	Peak Power Handling:	6000 W PEAK
	Recommended Amplifier:	3000 W
Transducers	Woofer:	15" neo, 4.0" v.c
Input/Output section	Input connectors:	Speakon® NL4
	Output connectors:	Speakon® NL4
Standard compliance	Safety agency:	CE compliant
Physical specifications	Cabinet/Case Material:	Baltic birch plywood
	Handles:	Integrated hand carry points
	Pole mount/Cap:	Yes
	Grille:	Steel
	Color:	Black
Size	Height:	529 mm / 20.83 inches
	Width:	440 mm / 17.32 inches
	Depth:	615 mm / 24.21 inches
	Weight:	34 kg / 74.96 lbs
Shipping information	Package Height:	675 mm / 26.57 inches
	Package Width:	805 mm / 31.69 inches
	Package Depth:	565 mm / 22.24 inches
	Package Weight:	38 kg / 83.78 lbs

PART NUMBER

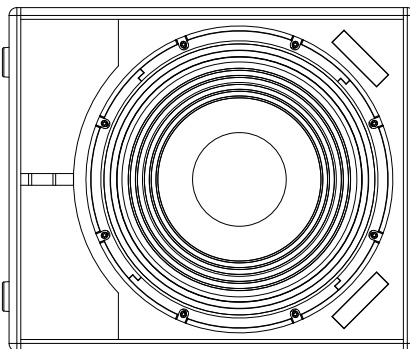
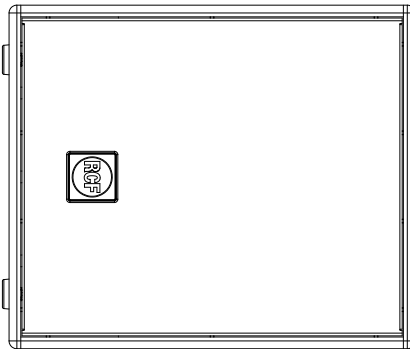
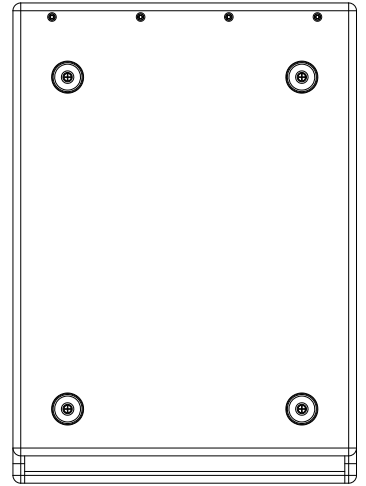
- **13000398**

S 8015 II

EAN 8024530010836



M20 or pole mount seat (supplied)



S8015 II

