

MH 61EN

TWO-WAY PLASTIC HORN SPEAKER

DESCRIPTION

MH 61EN is a two-way plastic horn speaker suitable for both broadcasting alarm messages (thanks to the highly intelligible voice reproduction) and background music, and can be used for sound reinforcement and speech systems in medium and large spaces. The terminal connection blocks, for input and output flameproof cables, are made of ceramic material. A thermal fuse protects the integrity of the line in case of heat affecting the speaker. It can be easily aimed towards any direction through the adjustable wall-mount bracket, and thanks to its IP66 protection grade it can be installed both indoor and outdoor.



FEATURES

- 6.5" woofer with 1" dome tweeter.
- Power selectable (100 V): 60 W – 30 W – 15 W – 7.5 W.
- 99 dB sensitivity.
- Colour grey RAL 7035.
- Plastic body.
- In/out ceramic terminal block.
- Thermal fuse protection.
- Protection grade IP66.

TECHNICAL SPECIFICATIONS

Acoustical specifications	Frequency Response (-10dB):	100 Hz ÷ 20000 Hz
	Max SPL @ 1m:	115 dB
	Max SPL @ 4m:	103 dB
	Horizontal coverage angle:	70°
	Vertical coverage angle:	90°
	System Sensitivity:	99 dB
	System Sensitivity 1W @ 4m:	87 dB
Power section	Nominal Impedance:	8 ohm
	Power Handling:	60 W
	Peak Power Handling:	240 W PEAK
	Recommended Amplifier:	120 W
	Protections:	Thermal fuse
Transducers	Dome Tweeter:	1.0"
	Woofers:	6.5"
Input/Output section	Input connectors:	Ceramic screw terminals
	Output connectors:	Ceramic screw terminals
	Constant Voltage Transformer:	100 V
	Power selection 1:	60 W - 167 ohm
	Power selection 2:	30 W - 333 ohm
	Power selection 3:	15 W - 667 ohm
	Power selection 4:	7.5 W - 1333 ohm
Standard compliance	IP protection grade:	IP 66
	EN54-24 certified:	Yes
	CE compliance:	Yes
	CPR number:	1488-CPR-0672/W
Physical specifications	Cabinet/Case Material:	ABS
	Hardware:	Steel bracket
	Color:	Grey - RAL 7035
Size	Height:	332 mm / 13.07 inches
	Width:	418 mm / 16.46 inches
	Depth:	391 mm / 15.39 inches
	Weight:	7.35 kg / 16.2 lbs
Shipping informations	Package Height:	450 mm / 17.72 inches
	Package Width:	360 mm / 14.17 inches
	Package Depth:	430 mm / 16.93 inches
	Package Weight:	8.6 kg / 18.96 lbs



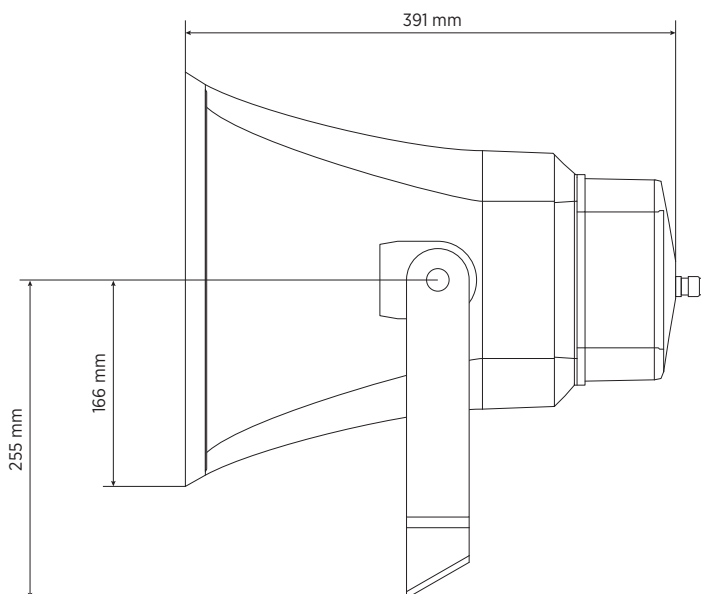
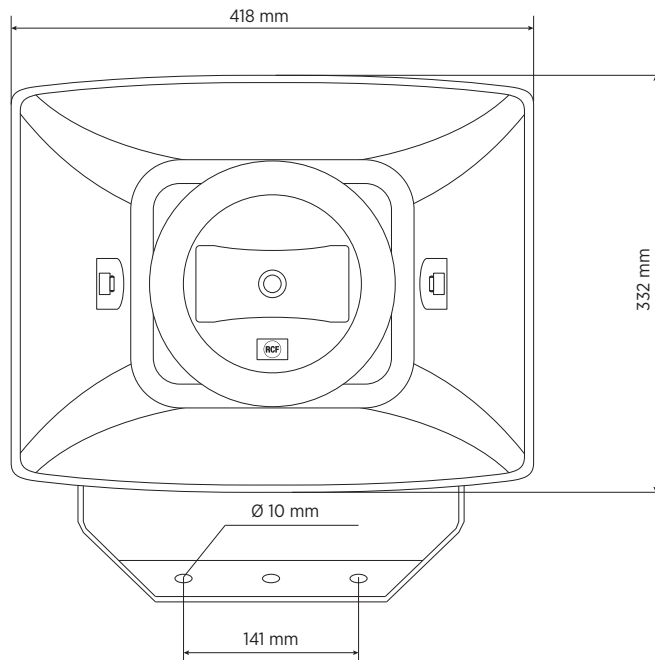
PART NUMBER

- **13100042**

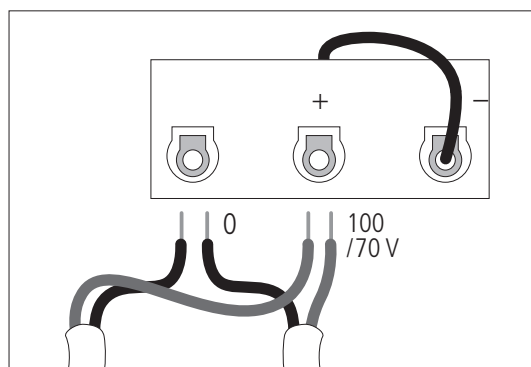
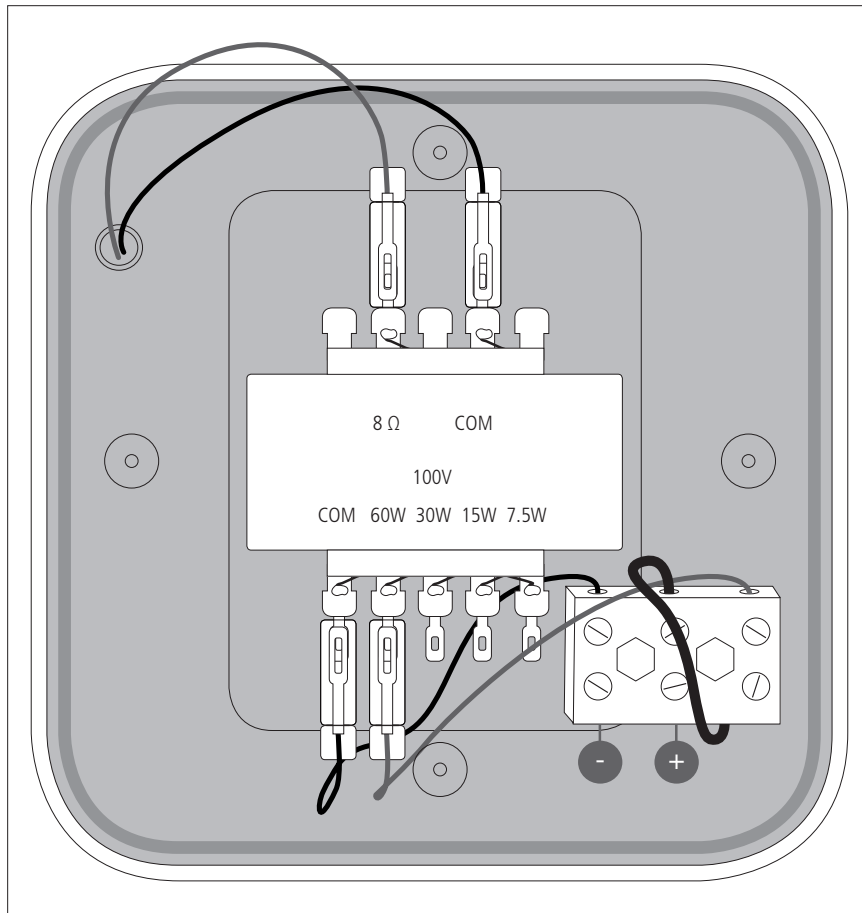
MH 61EN

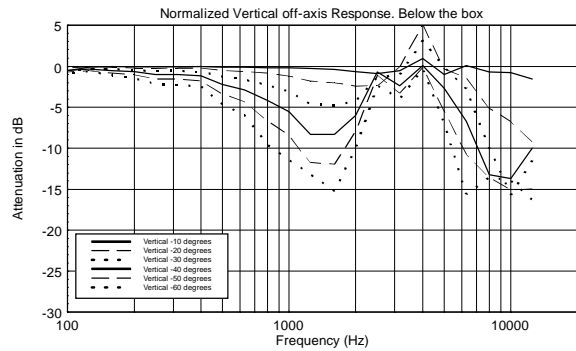
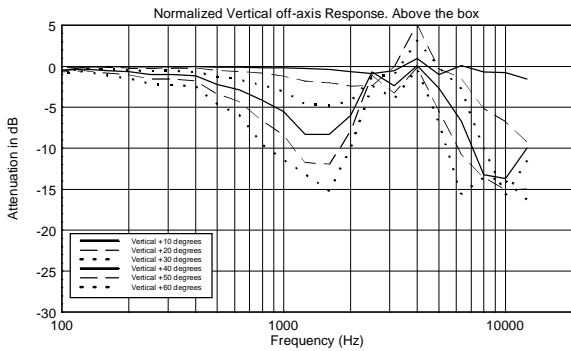
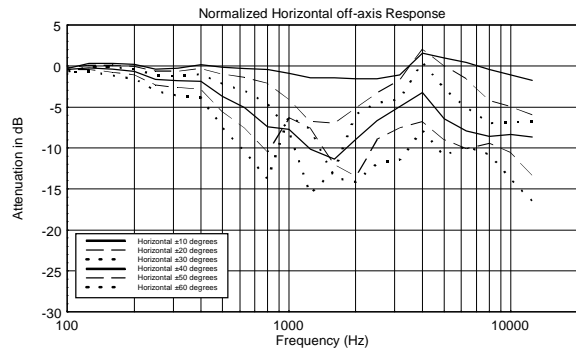
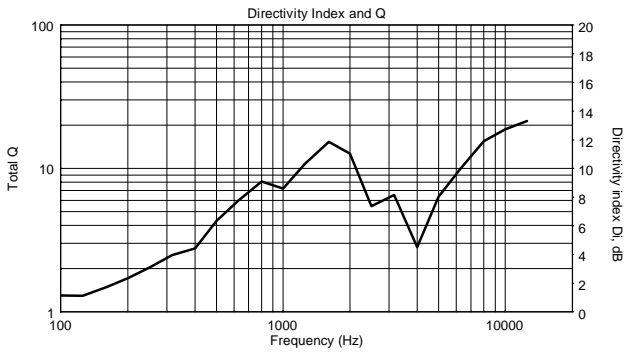
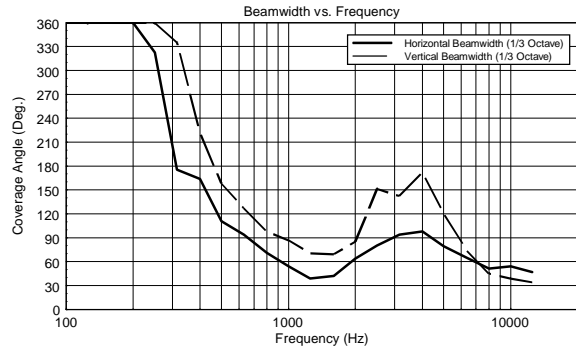
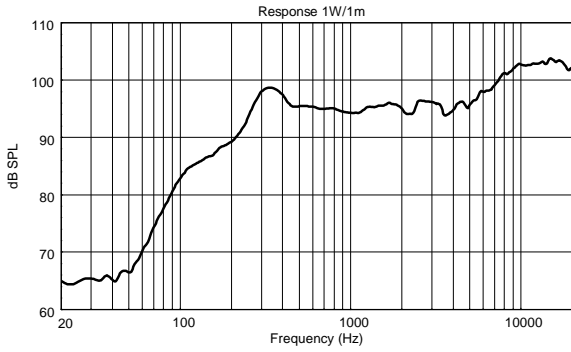
EAN 8024530016364

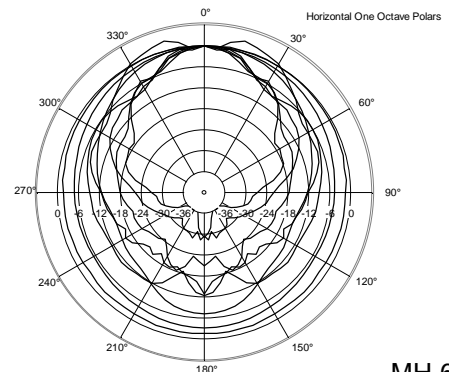
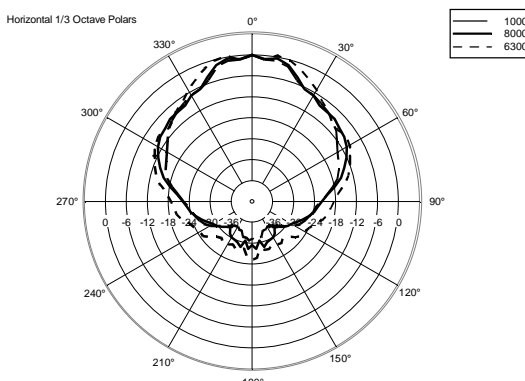
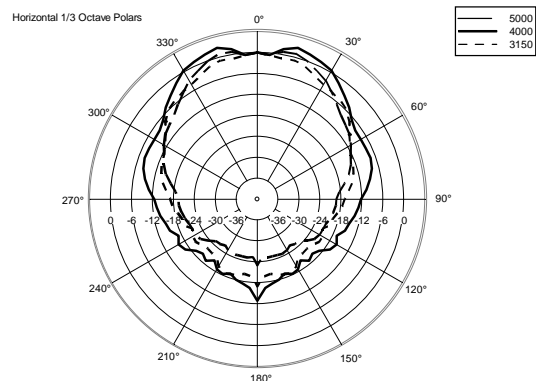
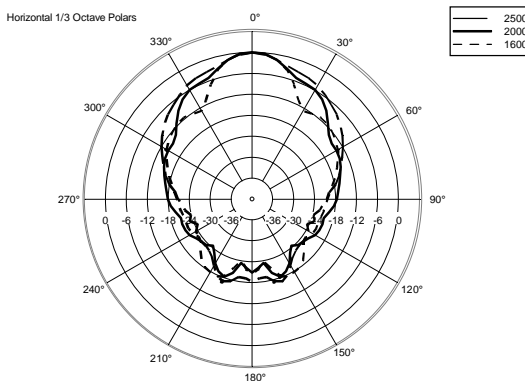
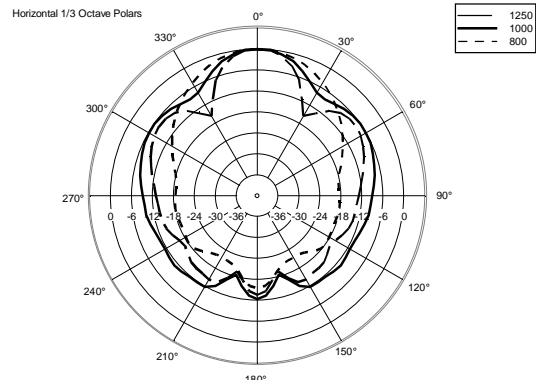
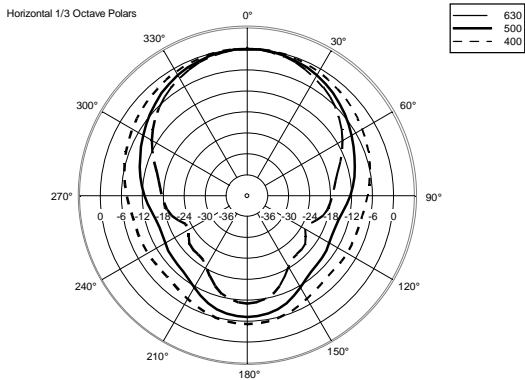
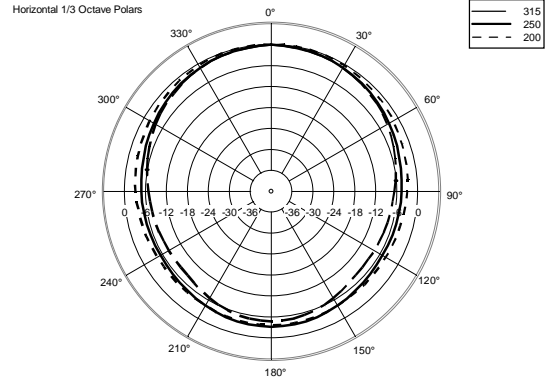
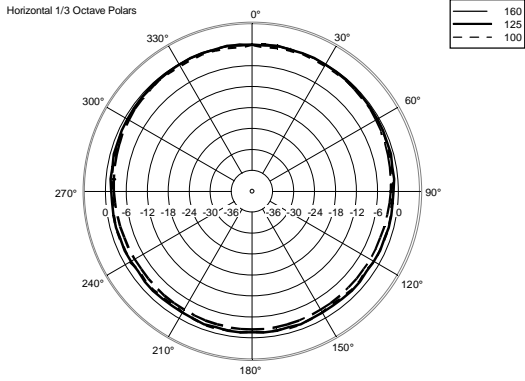
DRAWINGS

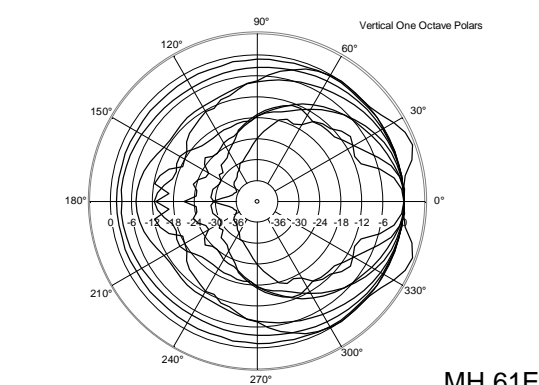
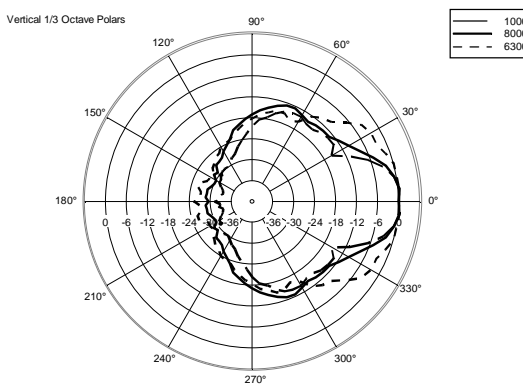
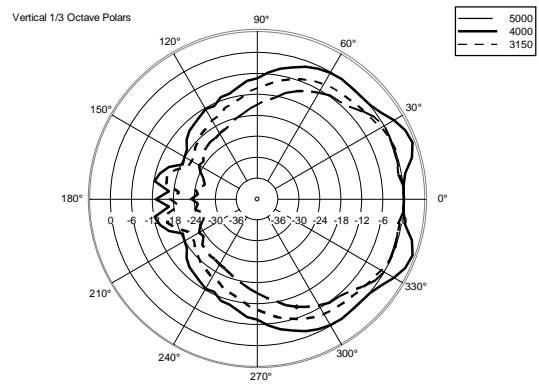
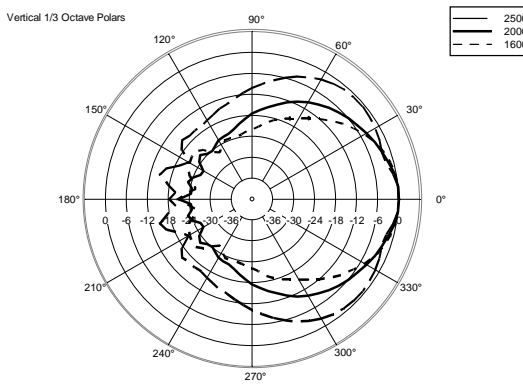
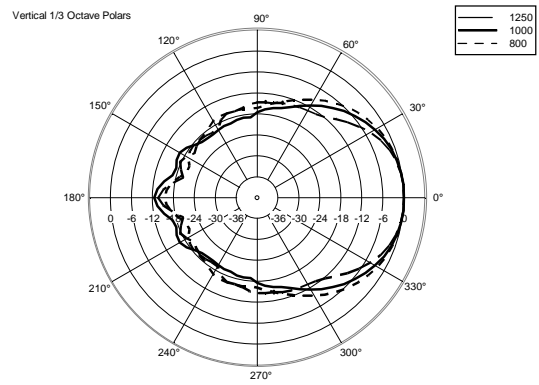
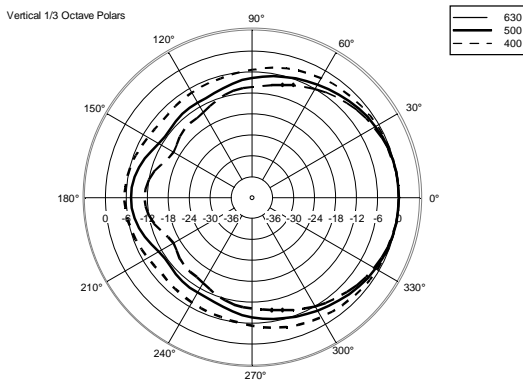
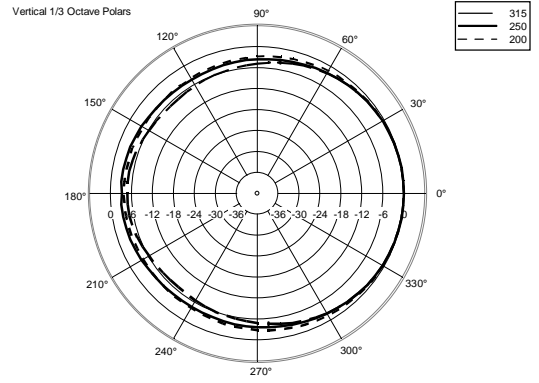
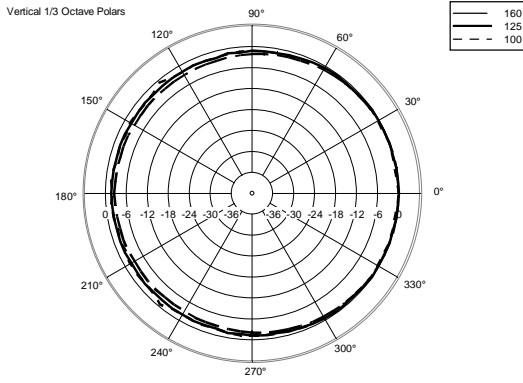


SCHEMATICS









A&E SPECIFICATIONS

The product shall be a two-way plastic horn speaker for alarm messages (and background music as well), thanks to the highly intelligible voice reproduction and the EN 54-24 certification.

It shall have IP66 protection grade for both indoor and outdoor installations.

It shall feature a ABS body and a steel bracket support.

The terminal connection blocks, for input and output flameproof cables, shall be made of ceramic material. A thermal fuse shall protect the line integrity in case of heat affecting the speaker.

NOTES

NO CAUTION is NECESSARY in case of ALERTED PERSON for AUDIO voltages up to 120V, when warning symbols are present near the connection terminals. In the case of AUDIO voltages up to 71V, it is not even necessary to put warning symbols.

No need of linking to earth metal parts of speakers equipped with transformers and connected to 70.7 V / 100 V outputs of power amplifiers that do not have any reference to earth (ref. EN 62368-1 item 4.3.2.2), unless specific local requirements.
