

MR 50

TWO-WAY SPEAKER

DESCRIPTION

MR 50 is a bass-reflex two-way speaker designed to deliver uncompromised audio performance and high reliability in fixed installations. Blend in with any environment and deliver deep bass, smooth midrange, and finely-detailed high-frequency response. Quality components and careful acoustic design make MR 50 the perfect speaker for listening in the most demanding applications. Suitable for indoor and outdoor installation.



FEATURES

- 60 W (8 ohm) power handling
- 110 dB max SPL
- 60 ÷ 20000 Hz frequency range
- 110° x 100° coverage angles
- 1 x 5" woofer (1" v.c.)
- 1 x 1" dome tweeter (0.8" v.c.) neodymium magnet
- Colour black RAL 9005 and white RAL 9003
- IP 55 protection grade
- Swivel wall mount accessory included
- 4 pole EUROBLOCK connector

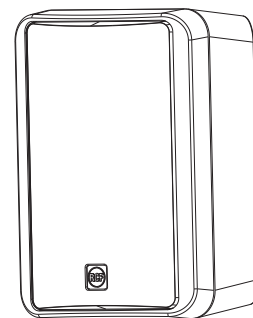
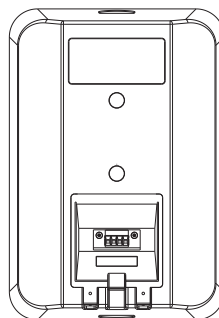
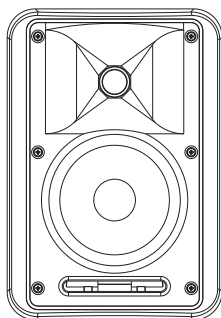
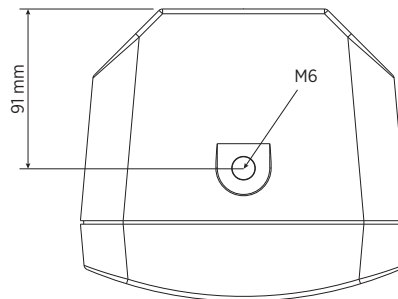
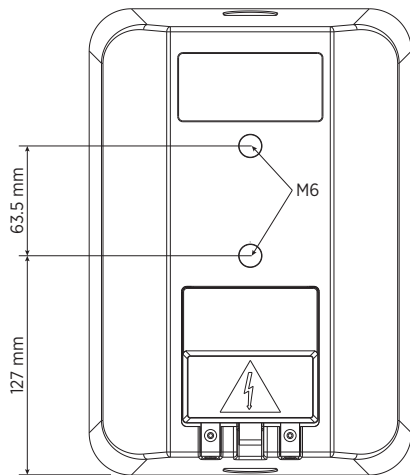
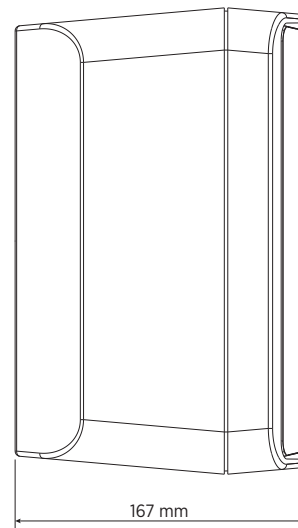
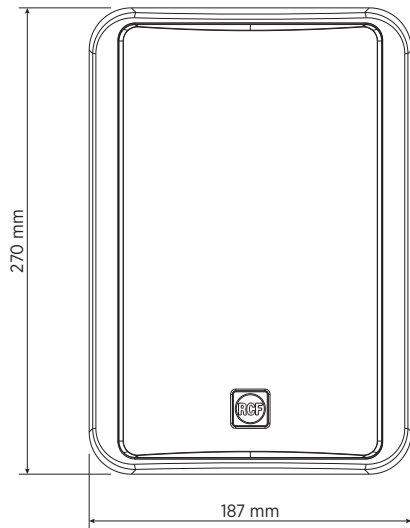
TECHNICAL SPECIFICATIONS

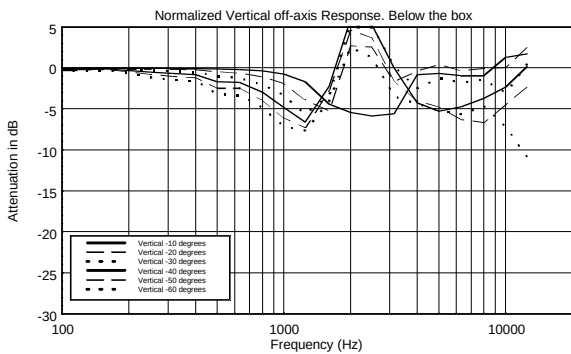
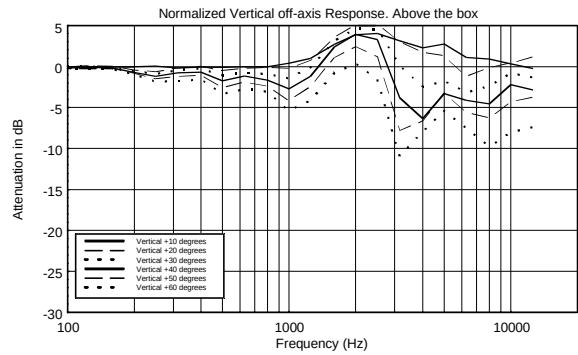
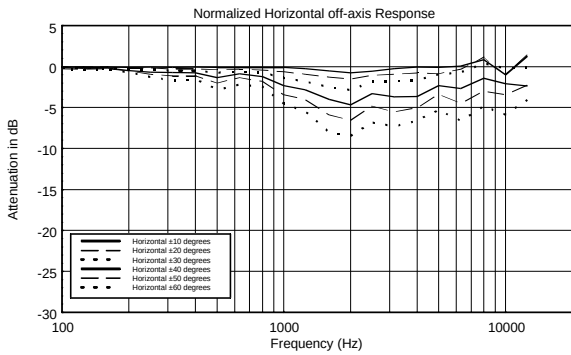
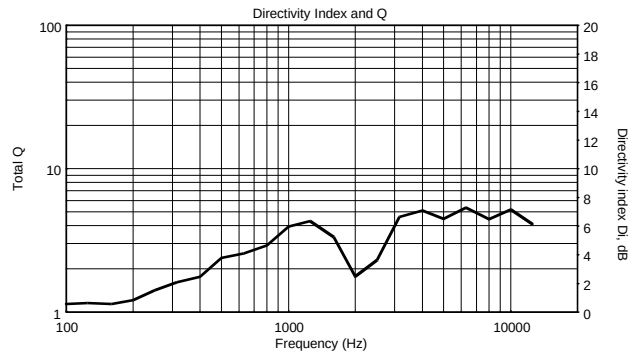
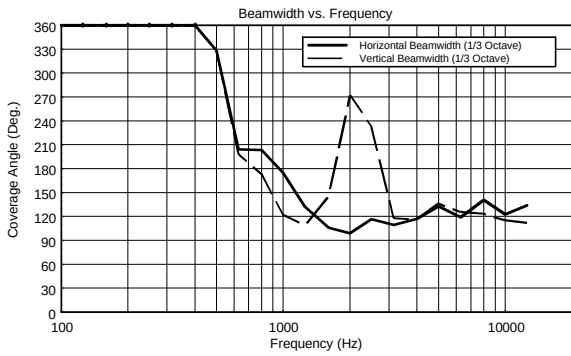
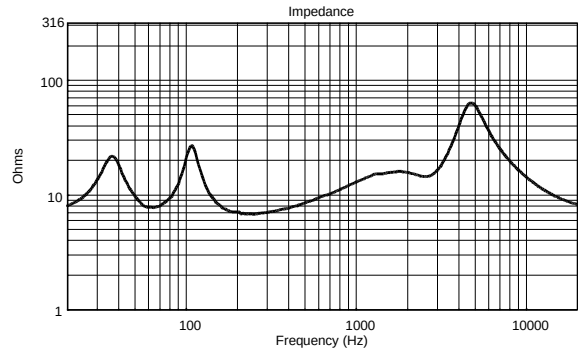
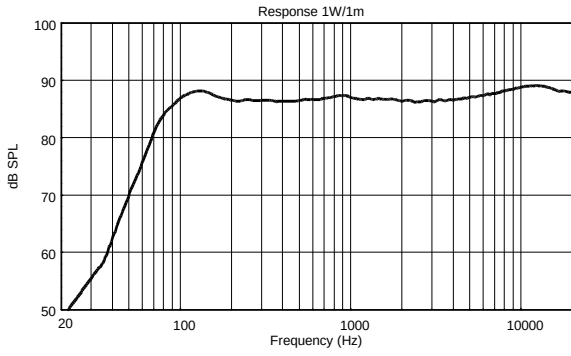
Acoustical specifications	Frequency Response (-10dB):	60 Hz ÷ 20000 Hz
	Max SPL @ 1m:	110 dB
	Horizontal coverage angle:	110°
	Vertical coverage angle:	100°
	Directivity index Q:	7
	System Sensitivity:	87 dB
Power section	Nominal Impedance:	8 ohm
	Power Handling:	60 W
	Peak Power Handling:	240 W PEAK
	Recommended Amplifier:	120 W
	Protections:	Bulb lamp
	Crossover Frequencies:	3000 Hz
Transducers	Dome Tweeter:	1.0" neo, 0.8" v.c
	Woofers:	5.0", 1.0" v.c
Input/Output section	Input connectors:	Euroblock
	Output connectors:	Euroblock
Standard compliance	IP protection grade:	IP 55
	Safety agency:	CE compliant
Physical specifications	Cabinet/Case Material:	Plastic
	Hardware:	Wall mount bracket
	Grille:	Steel
	Color:	Black - RAL 9005, White - RAL 9003
Size	Height:	270 mm / 10.63 inches
	Width:	187 mm / 7.36 inches
	Depth:	167 mm / 6.57 inches
	Weight:	3.8 kg / 8.38 lbs
Shipping informations	Package Height:	370 mm / 14.57 inches
	Package Width:	510 mm / 20.08 inches
	Package Depth:	250 mm / 9.84 inches
	Package Weight:	8.5 kg / 18.74 lbs

PART NUMBER

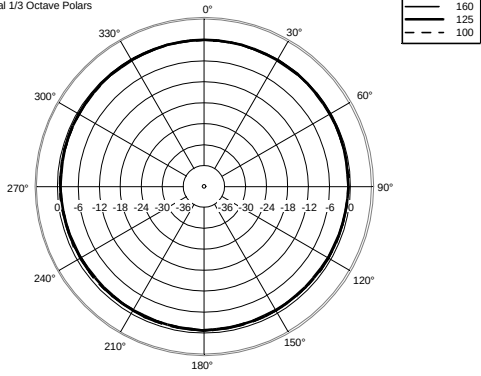
- **13100040**
MR 50 W
White - RAL 9003
EAN 8024530017293
- **13100038**
MR 50
Black - RAL 9005
EAN 8024530017187

DRAWINGS

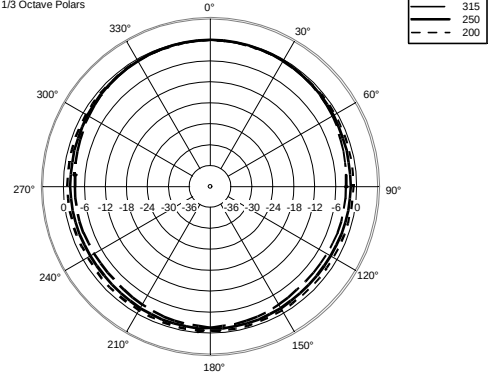




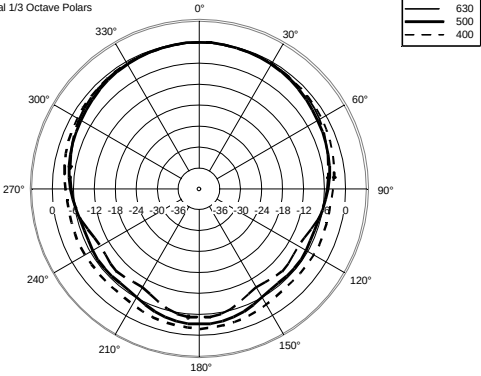
Horizontal 1/3 Octave Polars



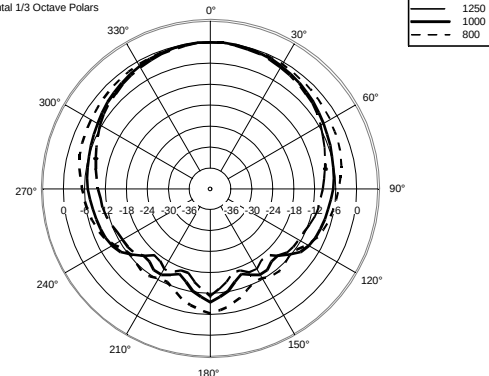
Horizontal 1/3 Octave Polars



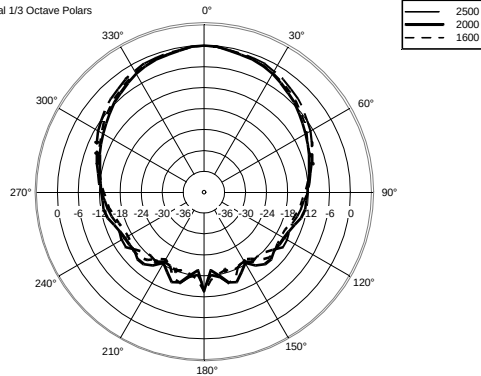
Horizontal 1/3 Octave Polars



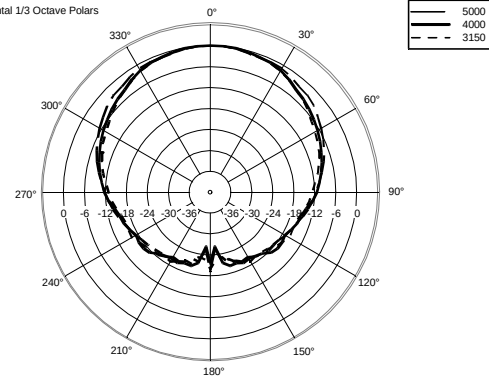
Horizontal 1/3 Octave Polars



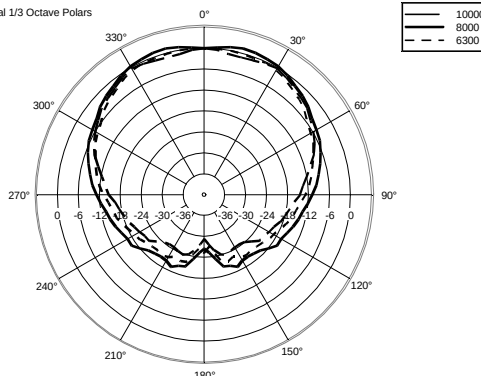
Horizontal 1/3 Octave Polars



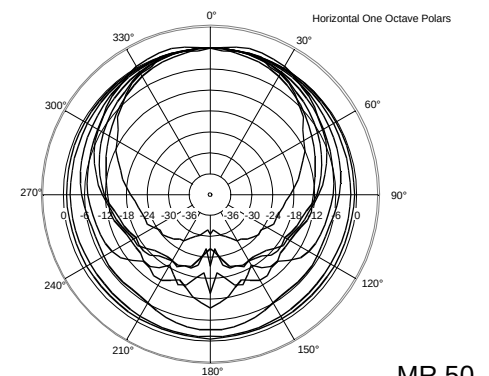
Horizontal 1/3 Octave Polars

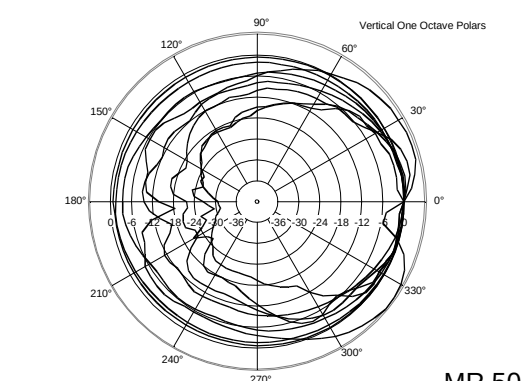
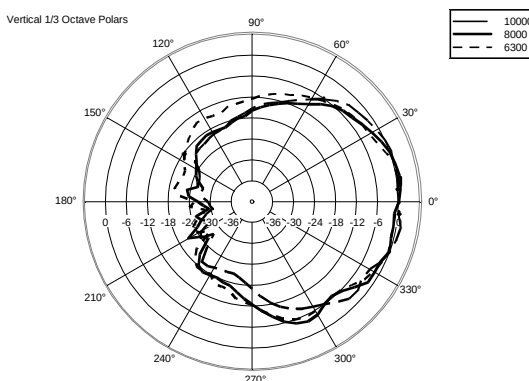
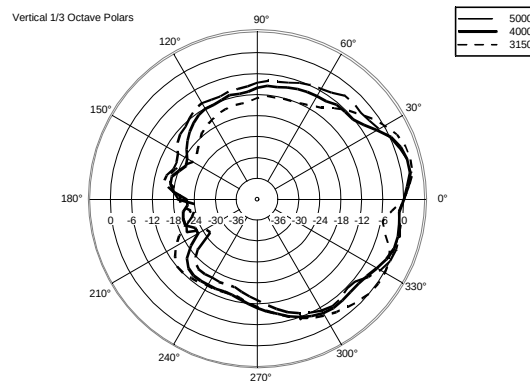
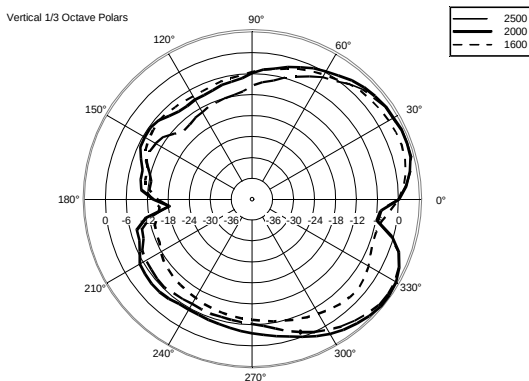
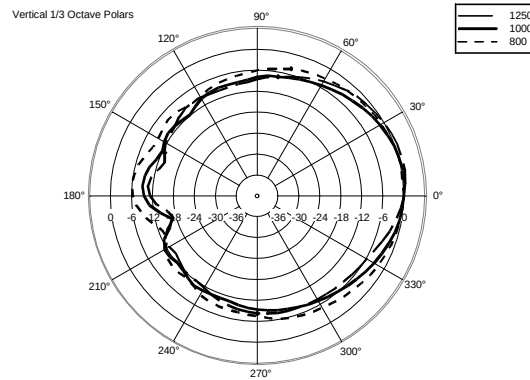
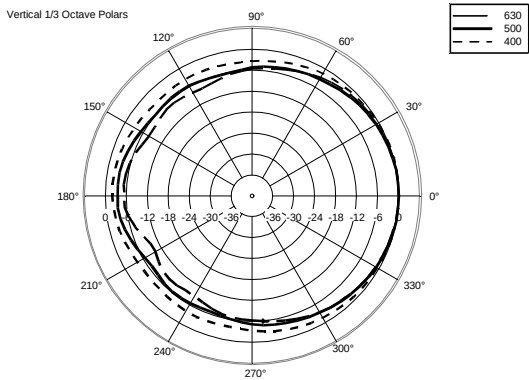
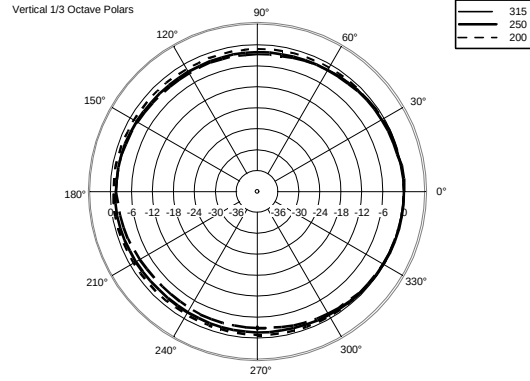
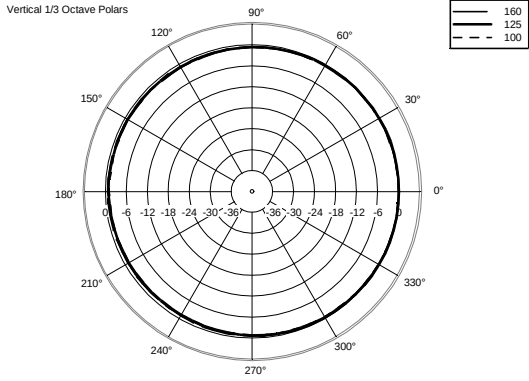


Horizontal 1/3 Octave Polars



Horizontal One Octave Polars





ACCESSORIES



MOUNTAING ACCESSORY MA 5

PART NUMBER **13360369**
EAN: 8024530014322



MOUNTAING ACCESSORY MA 5 W

PART NUMBER **13360370**
EAN: 8024530014339



A&E SPECIFICATIONS

The product shall be a multipurpose two-way bass-reflex speaker, suitable for a wide range of applications, providing a balanced sound in near-field applications to get the best intelligibility.

Its design shall be elegant and compact with accurate finishing, suitable for almost any environment, even with architectural constraints.

It shall be equipped with a 5" woofer and a 1" dome tweeter.

Optional mounting accessories shall be available for wall or ceiling installations.

The product shall be suitable for indoor and outdoor installation.
