

ZBOX Instructions

Thank you for purchasing the ZBOX! ZBOX matches the output impedance ("Z") of your guitar pickup to the impedance of a non-amp input, such as the mic/instrument preamp inputs on an audio interface, mixer or recorder, or the guitar input on a wireless transmitter or PA system.

ZBOX is simple to use. Just plug your guitar into ZBOX's Lo-Z or Hi-Z input (whichever sounds better), and plug the ZBOX into the guitar input on the destination device (audio interface, wireless box, mixer, recorder, PA, etc.) as shown.

Guitar inputs on audio interfaces, mixers, PAs, wireless transmitters and other similar devices (often labeled "instrument") usually have impedances that differ significantly from most guitar amps. This mismatch can make your guitar sound too bright, thin and brittle. ZBOX provides the proper input impedance levels to match your guitar's output signal. The result? Your guitar sounds like it is connected to a real guitar amp and has a much warmer tone and authentic "response." This is especially true when using digitally modeled guitar processing software (plug-ins) on your computer, audio interface, digital mixer, etc. ZBOX is the "missing link" for digital guitar processing, providing the hardware-driven input characteristics required to truly emulate a real guitar amp.

To support a wide range of guitars, ZBOX provides authentic "Hi-Z" and "Lo-Z" inputs, just like the ones found on many classic guitar amps, complete with analog simulation of the input tube grid.

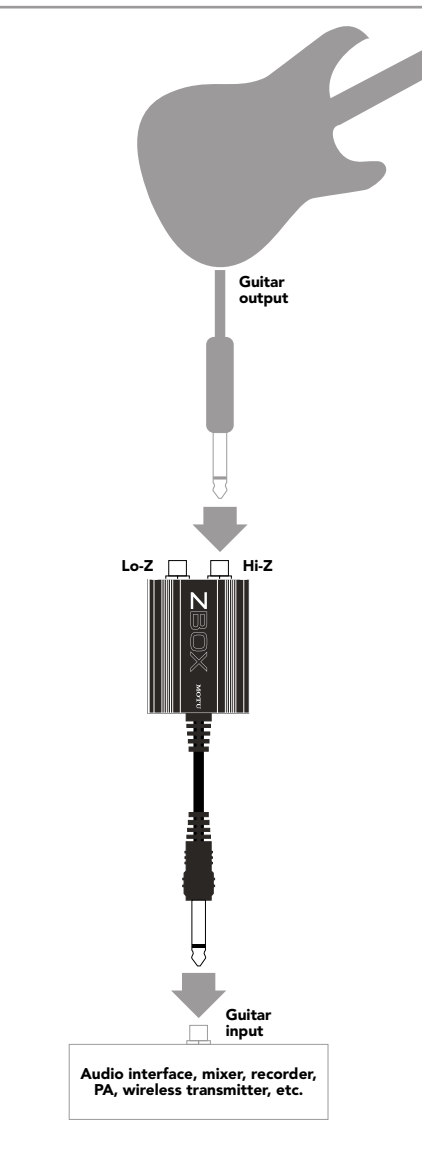
Please register your ZBOX!

Visit motu.com/registration to register online. Registered users qualify for technical support and receive information regarding new products.

Customer service

For repairs and general information:

- Voice: (617) 576-2760
(Monday through Friday, 9 am to 6 pm EST)
- Customer service 24-hour fax line: (617) 576-3609
- Email: customerservice@motu.com



Technical support

For questions about the operation of your ZBOX:

- Voice: (617) 576-3066
(Monday through Friday, 9 am to 6 pm EST)
- Tech support 24-hour fax line: (617) 354-3068
- On-line support: www.motu.com/support

Limited Warranty on Hardware

Mark of the Unicorn, Inc. and S&S Research ("MOTU/S&S") warrant this equipment against defects in materials and workmanship for a period of TWO (2) YEARS from the date of original retail purchase. This warranty applies only to hardware products; MOTU software is licensed and warranted pursuant to separate written statements.

If you discover a defect, first write or call Mark of the Unicorn at (617) 576-2760 to obtain a Return Merchandise Authorization Number. No service will be performed on any product returned without prior authorization. MOTU will, at its option, repair or replace the product at no charge to you, provided you return it during the warranty period, with transportation charges prepaid, to Mark of the Unicorn, Inc., 1280 Massachusetts Avenue, MA 02138. You must use the product's original packing material for in shipment, and insure the shipment for the value of the product. Please include your name, address, telephone number, a description of the problem, and the original, dated bill of sale with the returned unit and print the Return Merchandise Authorization Number on the outside of the box below the shipping address.

This warranty does not apply if the equipment has been damaged by accident, abuse, misuse, or misapplication; has been modified without the written permission of MOTU, or if the product serial number has been removed or defaced.

ALL IMPLIED WARRANTIES, INCLUDING IMPLIED WARRANTIES OF MERCHANTABILITY AND FITNESS FOR A PARTICULAR PURPOSE, ARE LIMITED IN DURATION TO NINETY (90) DAYS FROM THE DATE OF THE ORIGINAL RETAIL PURCHASE OF THIS PRODUCT. THE WARRANTY AND REMEDIES SET FORTH ABOVE ARE EXCLUSIVE AND IN LIEU OF ALL OTHERS, ORAL OR WRITTEN, EXPRESS OR IMPLIED. No MOTU/S&S dealer, agent, or employee is authorized to make any modification, extension, or addition to this warranty. MOTU/S&S ARE NOT RESPONSIBLE FOR SPECIAL, INCIDENTAL, OR CONSEQUENTIAL DAMAGES RESULTING FROM ANY BREACH OF WARRANTY, OR UNDER ANY LEGAL THEORY, INCLUDING LOST PROFITS, DOWNTIME, GOODWILL, DAMAGE OR REPLACEMENT OF EQUIPMENT AND PROPERTY AND COST OF RECOVERING REPROGRAMMING, OR REPRODUCING ANY PROGRAM OR DATA STORED IN OR USED WITH MOTU/S&S PRODUCTS.

Some states do not allow the exclusion or limitation of implied warranties or liability for incidental or consequential damages, so the above limitation or exclusion may not apply to you. This warranty gives you specific legal rights, and you may have other rights which vary from state to state.

MOTU, Digital Performer, AudioDesk, Mark of the Unicorn and the unicorn silhouette logo are registered trademarks of Mark of the Unicorn, Inc.

Copyright notice

Copyright © 2009 by Mark of the Unicorn, Inc. All rights reserved. No part of this publication may be reproduced, transmitted, transcribed, stored in a retrieval system, or translated into any human or computer language, in any form or by any means whatsoever, without express written permission of Mark of the Unicorn, Inc., 1280 Massachusetts Avenue, Cambridge, MA, 02138, U.S.A.

This equipment has been type tested and found to comply with the limits for a class B digital device, pursuant to Part 15 of the FCC Rules. These limits are designed to provide reasonable protection against harmful interference in a residential installation. This equipment generates, uses, and can radiate radio frequency energy and, if not installed and used in accordance with the instruction manual, may cause harmful interference to radio communications. However, there is no guarantee that interference will not occur in a particular installation. If this equipment does cause interference to radio or television equipment reception, which can be determined by turning the equipment off and on, the user is encouraged to try to correct the interference by any combination of the following measures:

- Relocate or reorient the receiving antenna
- Increase the separation between the equipment and the receiver
- Plug the equipment into an outlet on a circuit different from that to which the receiver is connected

If necessary, you can consult a dealer or experienced radio/television technician for additional assistance.

PLEASE NOTE: only equipment certified to comply with Class B (computer input/output devices, terminals, printers, etc.) should be attached to this equipment, and it must have shielded interface cables in order to comply with the Class B FCC limits on RF emissions.

WARNING: changes or modifications to this unit not expressly approved by the party responsible for compliance could void the user's authority to operate the equipment.