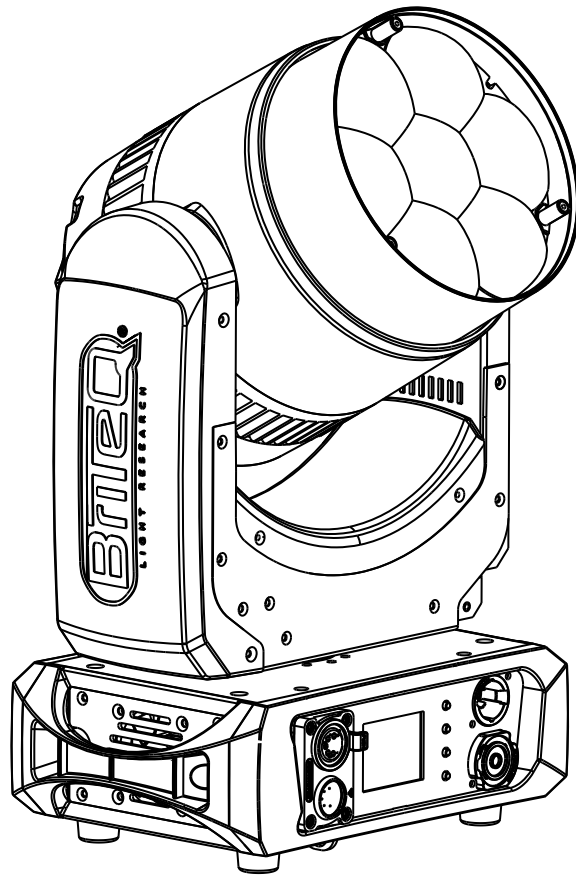


BT-VERTIGO



ENGLISH

Operation Manual

Other languages can be downloaded from:
WWW.BRITEQ-LIGHTING.COM



Version: 1.0





EN - DISPOSAL OF THE DEVICE

Dispose of the unit and used batteries in an environment friendly manner according to your country regulations.

FR - DÉCLASSER L'APPAREIL

Débarrassez-vous de l'appareil et des piles usagées de manière écologique Conformément aux dispositions légales de votre pays.

NL - VERWIJDEREN VAN HET APPARAAT

Verwijder het toestel en de gebruikte batterijen op een milieuvriendelijke manier conform de in uw land geldende voorschriften.

DU - ENTSORGUNG DES GERÄTS

Entsorgen Sie das Gerät und die Batterien auf umweltfreundliche Art und Weise gemäß den Vorschriften Ihres Landes.

ES - DESHACERSE DEL APARATO

Reciclar el aparato y pilas usadas de forma ecologica conforme a las disposiciones legales de su país.

PT - COMO DESFAZER-SE DA UNIDADE

Tente reciclar a unidade e as pilhas usadas respeitando o ambiente e em conformidade com as normas vigentes no seu país.

OPERATION MANUAL

Thank you for buying this Briteq® product. To take full advantage of all possibilities and for your own safety, please read these operating instructions very carefully before you start using this unit.

FEATURES

- BT-VERTIGO is a small and very powerful moving wash projector
- Based on a 7x60W RRGB LED light source.
- Very high light output: 11555 lux @5m (4°) - 201 lux @5m (45°)
- Perfect for: Fast moving effects and really nice wash lights
- Wide range 16bit electronic zoom, from 4° to 45°.
- High quality CCT presets: 2700K → 8000K (CRI >80)
- Accurate strobe with built in random, pulse and burst effects.
- Smooth 16bit dimmer with fast and slow dimming mode.
- Two dimmer curves: linear, square
- Super fast 16bit pan/tilt/zoom movements with position correction and pan/tilt speed channel.
- Silent fan mode for theater applications.
- Uses 17, 23 or 21 DMX channels + RDM-functionality for easy remote setup.
- The matrix LCD-display assures easy navigation in the different setup menus
- 5pin DMX in/outputs + PowerCON TRUE1 compatible
- DMX in/outputs compatible with BT-XLR5TO3 kit
- Equipped with an omega bracket for fast installation.

BEFORE USE

- Before you start using this unit, please check if there is no transportation damage. Should there be any, do not use the device and consult your dealer first.
- **Important:** This device left our factory in perfect condition and well packaged. It is necessary for the user to strictly follow the safety instructions and warnings in this user manual. Any damage caused by mishandling is not subject to warranty. The dealer will not accept responsibility for any resulting defects or problems caused by disregarding this user manual.
- Keep this booklet in a safe place for future consultation. If you sell the fixture, be sure to add this user manual.

Check the contents:

Check that the carton contains the following items:

- BT-VERTIGO
- PowerCON® TRUE-1 compatible mains cable
- 1 BriteQ omega bracket BIG (compatible bracket)
- Safety cable
- Operating instructions

SAFETY INSTRUCTIONS



CAUTION
RISK OF ELECTRIC SHOCK
DO NOT OPEN



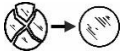
CAUTION: To reduce the risk of electric shock, do not remove the top cover. No user-serviceable parts inside. Refer servicing to qualified service personnel only.



The lightning flash with arrowhead symbol within the equilateral triangle is intended to alert the user or the presence of un-insulated "dangerous voltage" within the product's enclosure that may be of sufficient magnitude to constitute a risk of electric shock.



The exclamation point within the equilateral triangle is intended to alert the user to the presence of important operation and maintenance (servicing) instructions in the literature accompanying this appliance.



This symbol means: repair any broken lenses!



This symbol means: Do not stare at the operating light source



This symbol means: Read instructions



This symbol determines: the minimum distance from lighted objects. The minimum distance between light-output and the illuminated surface must be more than 0.2 meters

- To protect the environment, please try to recycle the packing material as much as possible.
- A new light effect sometimes causes some unwanted smoke and/or smell. This is normal and disappears after some minutes.
- To prevent fire or shock hazard, do not expose this appliance to rain or moisture.
- To avoid condensation to be formed inside, allow the unit to adapt to the surrounding temperatures when bringing it into a warm room after transport. Condensation sometimes prevents the unit from working at full performance or may even cause damages.
- Don't place metal objects or spill liquid inside the unit. Electric shock or malfunction may result. If a foreign object enters the unit, immediately disconnect the mains power.
- Locate the fixture in a well-ventilated spot, away from any flammable materials and/or liquids. The fixture must be fixed at least 20cm from surrounding walls.
- Don't cover any ventilation openings as this may result in overheating.
- Prevent use in dusty environments and clean the unit regularly.
- Keep the unit away from children.
- Inexperienced persons should not operate this device.
- Maximum safe ambient temperature is 40°C. Don't use this unit at higher ambient temperatures.
- The units' surface temperature may reach up to 85°C. Don't touch the housing with bare hands during its operation.
- Make sure the area below the installation place is free from unwanted persons during rigging, de-rigging and servicing.
- Allow the device about 10 minutes to cool down before replacing the bulb or start servicing.
- Always unplug the unit when it is not used for a longer time or before replacing the bulb or start servicing.
- The electrical installation should be carried out by qualified personal only, according to the regulations for electrical and mechanical safety in your country.
- Check that the available voltage is not higher than the one stated on the rear panel of the unit.
- The power cord should always be in perfect condition. Switch the unit immediately off when the power cord is squashed or damaged. It must be replaced by the manufacturer, its service agent or similarly qualified persons in order to avoid a hazard.
- Never let the power-cord come into contact with other cables!
- This fixture must be earthed to comply with safety regulations.
- Don't connect the unit to any dimmer pack.
- Always use an appropriate and certified safety cable when installing the unit.
- To prevent electric shock, do not open the cover. Apart from the lamp and mains fuse there are no user serviceable parts inside.
- Never repair a fuse or bypass the fuse holder. Always replace a damaged fuse with a fuse of the same type and electrical specifications!
- In the event of serious operating problems, stop using the fixture and contact your dealer immediately.
- The housing and the lenses must be replaced if they are visibly damaged.
- Please use the original packing when the device is to be transported.
- Due to safety reasons it is prohibited to make unauthorized modifications to the unit.

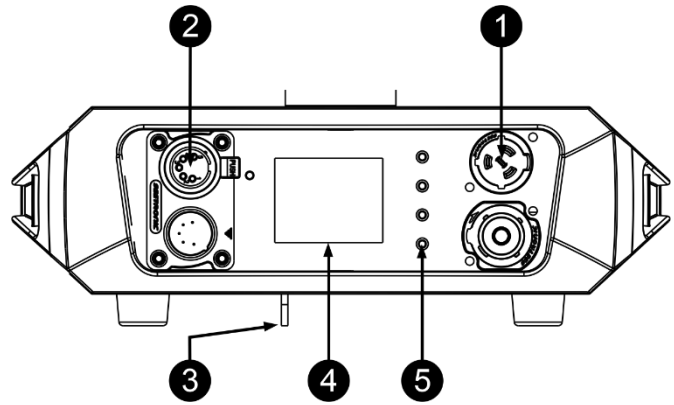
Important: Never look directly into the light source! Don't use the effect in the presence of persons suffering from epilepsy.

DESCRIPTION:

REAR PANEL:

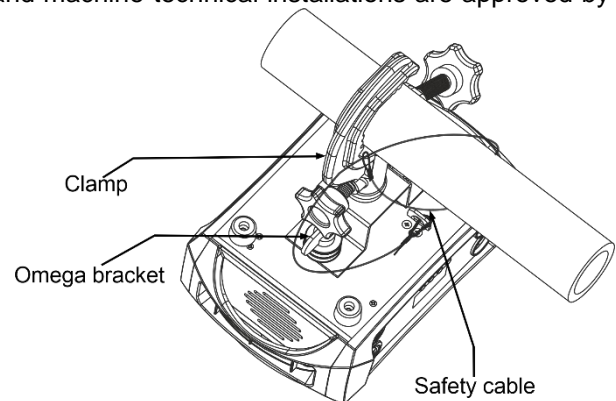
1. Seetronic IP65 power input & output
2. XLR input/output 5-pin
3. Safety rigging point
4. Display
5. Menu buttons: MODE, UP, DOWN, ENTER

PS: 2 can be changed to XLR-3pin with an optional BT-XLR5TO3 COMBIKIT



OVERHEAD RIGGING

- **Important:** The installation must be carried out by qualified service personal only. Improper installation can result in serious injuries and/or damage to property. Overhead rigging requires extensive experience! Working load limits should be respected, certified installation materials should be used, the installed device should be inspected regularly for safety.
- Make sure the area below the installation place is free from unwanted persons during rigging, de-rigging and servicing.
- Locate the fixture in a well-ventilated spot, far away from any flammable materials and/or liquids. The fixture must be fixed **at least 50cm** from surrounding walls.
- The device should be installed out of reach of people and outside areas where persons may walk by or be seated.
- Before rigging make sure that the installation area can hold a minimum point load of 10times the device's weight.
- Always use a certified safety cable that can hold 12 times the weight of the device when installing the unit. This secondary safety attachment should be installed in a way that no part of the installation can drop more than 20cm if the main attachment fails.
- The device should be well fixed; a free-swinging mounting is dangerous and may not be considered!
- Don't cover any ventilation openings as this may result in overheating.
- The operator must make sure that the safety-relating and machine-technical installations are approved by an expert before using them for the first time. The installations should be inspected every year by a skilled person to be sure that safety is still optimal.
- Fix the Truss hooks to the optional omega brackets with screw and locking nut.
- Fasten the omega brackets on the bottom of the base by inserting quick-lock fasteners into the holes of the base and tighten fully clockwise. (you should hear or feel a 'click')

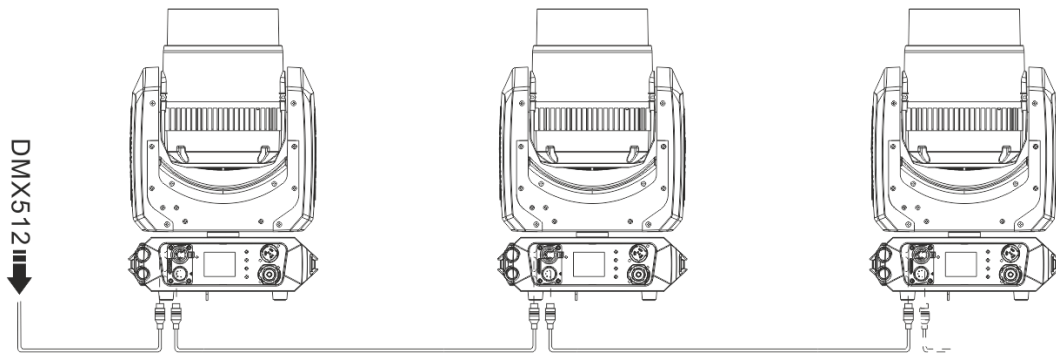
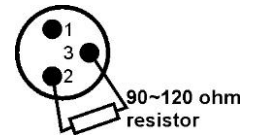


ELECTRICAL INSTALLATION

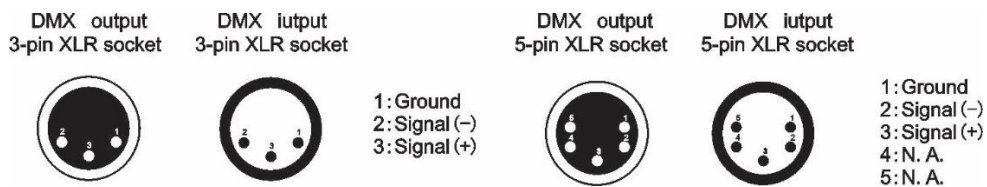
⚠ Important: The electrical installation should be carried out by qualified personal only, according to the regulations for electrical and mechanical safety in your country.

Electrical installation for two or more units in DMX-mode:

- The DMX-protocol is a widely used high speed signal to control intelligent light equipment. You need to "daisy chain" your DMX controller and all the connected units with a good quality balanced cable.
- Both XLR-3pin and XLR-5pin connectors are used, however XLR-3pin is more popular because these cables are compatible with balanced audio cables.
 - Pin layout XLR-3pin: Pin1 = GND ~ Pin2 = Negative signal (-) ~ Pin3 = Positive signal (+)
 - Pin layout XLR-5pin: Pin1 = GND ~ Pin2 = Negative signal (-) ~ Pin3 = Positive signal (+) ~ Pins4+5 not used.
- To prevent strange behavior on the DMX units, due to interferences, you must use a 90Ω to 120Ω terminator at the end of the chain. Never use Y-splitter cables, this simply won't work!
- Make sure that all units are connected to the mains.
- Each unit in the chain needs to have its proper starting address so it knows which commands from the controller it has to decode. In the next section you will learn how to set the DMX addresses.



Wiring of the DMX connectors:



OPERATING INSTRUCTIONS

- In the event of serious operating problems, stop using the fixture and contact your dealer immediately.
- **Important:** Never look directly into the light source! Don't use the effect in the presence of persons suffering from epilepsy.

SETTING MENU

Press the ENTER button on the display to open the setup menu. Use the UP/DOWN, MODE and ENTER buttons to navigate:

Level 1	Level 2	Level 3	Level 4	Default
Set config	DMX settings	Address	001-xxx (022)	
		Channel	Basic (17)	Standard
			Std (23)	
	Pixel (21)			
	Fixture settings	No DMX	Freeze/Blackout	Freeze
		Run mode	DMX	DMX
			Static	
			Program 1	
			Program 2	
		Program 3		
		Pan invert	Yes/No	No
		Tilt invert	Yes/No	No
		P/T Feedback	On/Off	On
		Fan mode	Auto	Auto
			High	
			Low	
		Zoom mode	Normal	Normal
			Narrow	
		Dimmer curve	Linear	Linear
	Square			
PWM ferquency	1200Hz	1200Hz		
	2400Hz			
	3600Hz			
	4800Hz			
Color calibration				
Motor calibration	Pan			
	Tilt			
	Zoom			
Defaults	Factory			
	User load			
	User save			
Information	Time	Total time		
		Job time		
	Temperature	LED		
		Base		
	Fan speed	Head fan xxxRPM		
		base fan xxxRPM		
Error info				

	DMX values		
	Model info	RDM UID	0x2122005Cxxxx
		RDM lable	BT-VERTIGO
Firmware version			
Manual	Test		
	Static	Pan	
		Tilt	
		Zoom	
		Red	
		...	
	Program edit	Program 1/2/3	
		Step	1-30
		Reset	Reset step
		Fade time	Reset def.
		Hold time	0-999
		Pan	0-999
		Tilt	0-255
		Zoom	0-255
	...	0-255	
	Program play	Program 1	
		Program 2	
		Program 3	
	Reset	All	
		Pan/Tilt	
Zoom			

Set config

DMX settings

Menu with functions related to the DMX patch settings of the fixture

Address

Used to set the DMX-starting address.

- Press the enter button to open the menu.
- Press the up/down buttons to navigate to the **ADDRESS** option and hit the enter button to select.
- Use the up/down buttons to select the correct DMX address
- Press the enter button to confirm.

CHANNEL

Used to set the channel mode of the unit

- Press the enter button to open the menu.
- Press the up/down buttons to navigate to the **Channel** option and hit the enter button to select.
- Use the up/down buttons to select the correct DMX address
 - **Basic:** 17 Channels
 - **Standard:** 23 Channels
 - **Pixel:** 21 Channels
- Press the enter button to confirm.

Fixture settings**Menu with functions related to the overall settings of the fixture****DMX ERROR****Used to select the behavior of the fixture when no DMX is received**

- Press the enter button to open the menu.
- Press the up/down buttons to select **OPTION** and hit the right button to select
- Press the up/down buttons to select the **DMX ERROR** option and hit the right button to select.
- Use the up/down buttons to select the correct mode
 - **Freeze:** Fixture holds last received values
 - **Blackout:** Fixture turns the LED OFF and turns to a base position
- Press the Right button to confirm.

Run mode**Used to set the channel mode of the unit**

- Press the enter button to open the menu.
- Press the up/down buttons to navigate to the **RUN MODE** option and hit the enter button to select.
- Use the up/down buttons to select the correct mode
 - **DMX :** Fixture reacts to DMX
 - **Static :** Fixture hold a static position and color following the static option in the menu
 - **Program 1/2/3 :** Fixture steps automatically through user-programmed steps
- Press the enter button to confirm.

PAN INVERT**Used to invert the pan movement**

- Press the enter button to open the menu.
- Press the up/down buttons to navigate to the **PAN INVERT** option and hit the enter button to select.
- Use the up/down buttons to select **YES/NO**
- Press the enter button to confirm.

TILT INVERT**Used to invert the tilt movement**

- Press the enter button to open the menu. (Enter the password if prompted)
- Press the up/down buttons to navigate to the **TILT INVERT** option and hit the enter button to select.
- Use the up/down buttons to select **YES/NO**
- Press the enter button to confirm.

P/T FEEDBACK**Used to disable the pan/tilt encoders**

- Press the enter button to open the menu.
- Press the up/down buttons to navigate to the **P/T FEEDBACK** option and hit the enter button to select.
- Use the up/down buttons to select **YES/NO**
- Press the enter button to confirm.

FAN MODE**Used to select the cooling mode**

- Press the enter button to open the menu.
- Press the up/down buttons to navigate to the **FAN MODE** option and hit the enter button to select.
- Use the up/down buttons to select the correct mode
 - **LOW:** Silent mode, perfect for use in theatres. (output is slightly lower to assure good cooling)
 - **HIGH:** Full power mode, perfect for use on rock festival stages (best cooling + light output)
 - **AUTO:** Temperature controlled mode, standard mode. (best balance between cooling + light output)
- Press the enter button to confirm.

ZOOM MODE**Used to select the zoom mode mode**

- Press the enter button to open the menu.
- Press the up/down buttons to navigate to the **ZOOM MODE** option and hit the enter button to select.
- Use the up/down buttons to select the correct mode
 - **NORMAL:** Adjusted zoom mode for a nice wash light (4°-50°)
 - **NARROW:** Full zoom mode for tight beams (3°-50°)

- Press the enter button to confirm.

DIMMER CURVE

Used to select the dimmer curve

- Press the enter button to open the menu.
- Press the up/down buttons to navigate to the **DIMMER CURVE** option and hit the enter button to select.
- Use the up/down buttons to select the correct mode
 - **LINEAR**
 - **SQUARE**
- Press the enter button to confirm.

PWM FREQUENCY

Used to select the PWM frequency of the LED

- Press the enter button to open the menu.
- Press the up/down buttons to navigate to the **PWM FREQUENCY** option and hit the enter button to select.
- Use the up/down buttons to select the correct frequency
- Press the enter button to confirm.

COLOR CALIBRATION

Used to adjust the white point of the LED

- Press the enter button to open the menu.
- Press the up/down buttons to navigate to the **COLOR CALIBRATION** option and hit the enter button to select.
- Use the up/down buttons to adjust the Red, Green, Blue or Lime values of the LED array
- Press the enter button to confirm.

MOTOR CALIBRATION

Used to adjust 0 positions of the motors

- Press the enter button to open the menu.
- Press the up/down buttons to navigate to the **MOTOR CALIBRATION** option and hit the enter button to select.
- Use the up/down buttons to adjust the Pan, Tilt or Zoom values
- Press the enter button to confirm.

DEFAULTS

Used to create and restore settings

- Press the enter button to open the menu.
- Press the up/down buttons to navigate to the **DEFAULTS** option and hit the enter button to select.
- Use the up/down buttons to select
 - **FACTORY**: restore factory settings
 - **USER LOAD**: Load user saved settings
 - **USER SAVE**: save the current settings as a user preset
- Press the enter button to confirm.

INFORMATION

Menu with Information about the fixture

TIME

Displays the total hours and active hours of the fixture

TEMPERATURE

Displays the temperature of the LED array and base of the unit

ERROR LIST

Displays possible system errors

DMX VALUES

Displays the current DMX values controlling the fixture

MODEL INFO

Displays the RDM information of the fixture

RDM UID: 0x2122005C**** (**** = unique number)
RDM Label: BT-VERTIGO

FW. VERSION

Displays the current fixture firmware version

MANUAL

Menu with functions related to the overall settings of the fixture

TEST

Runs an automated program where each feature can be examined.

STATIC

Used to set a static position to be used in the static run mode

- Press the enter button to open the menu.
- Press the up/down buttons to navigate to the **STATIC** option and hit the enter button to select.
- Press the up/down buttons to select the desired channel and hit the enter button to select the channel
- Press the Up/Down buttons to change the value of the channel.
- Press the enter button to exit the channel.
- Press enter again to exit this menu

PROGRAM EDIT

Used to edit custom patterns for standalone use

- Press the right button to open the menu.
- Press the up/down buttons to navigate to the **PROGRAM EDIT** option and hit the enter button to select.
- Use the up/down buttons to select the program to edit (**EDIT1** or **EDIT2**)
- Press the Right button to set the values for step 1
 - **Pan**
 - **Tilt**
 - ...: Set the desired value for the channel
 - **Time**: duration of the step between 0-25s
 - **Use**: Activate/Disable step
- Press the right button to confirm.
- Continue for step 2-30

PROGRAM PLAY

Used to select custom patterns for standalone use

RESET

Used to manually reset the fixture

- Press the enter button to open the menu.
- Press the up/down buttons to navigate to the **RESET** option and hit the enter button to select.
- Use the up/down buttons to select
 - **ALL RESET**: Reset the entire fixture
 - **PAN/TILT RESET**: Reset the pan/tilt motors
 - **ZOOM RESET**: Reset the Zoom motor
- Press the right button to confirm.

DMX CHANNELS

The unit is equipped with 3 different DMX modes:

- **Basic:** 17 Channels
- **Standard:** 23 Channels
- **Pixel:** 21 Channels

Reduced DMX Chart

Basic	Standard	Pixel	Function
1	1	-	Red/Cyan
-	2	-	Red fine/Cyan fine
2	3	-	Green/Magenta
-	4	-	Green fine/Magenta fine
3	5	-	Blue/Yellow
-	6	-	Blue fine/Yellow fine
4	7	-	Lime/Disabled
-	8	-	Lime fine/Disabled
5	9	1	Linear CCT
6	10	2	Virtual colorwheel
7	11	3	Color fade
8	12	4	Crossfade
9	13	5	Shutter
10	14	6	Dimmer
-	15	-	Dimmer fine
11	16	7	Pan
12	17	8	Pan fine
13	18	9	Tilt
14	19	10	Tilt fine
15	20	11	P/T speed
16	21	12	Special functions
17	22	13	Zoom
-	23	-	Zoom fine
-	-	14	Red - 1
-	-	15	Green - 1
-	-	16	Blue - 1
-	-	17	Lime - 1
-	-	18	Red - 2
-	-	19	Green - 2
-	-	20	Blue - 2
-	-	21	Lime - 2

Full DMX Chart

Basic	Standard	Pixel	Function	Values	Defaults	
1	1	-	Red/Cyan	000-255	255/65535	
-	2	-	Red fine/Cyan fine	000-255		
2	3	-	Green/Magenta	000-255		
-	4	-	Green fine/Magenta fine	000-255		
3	5	-	Blue/Yellow	000-255		
-	6	-	Blue fine/Yellow fine	000-255		
4	7	-	Lime/Disabled	000-255		
-	8	-	Lime fine/Disabled	000-255		
5	9	1	Linear CCT	000	8000K	0
				064	5600K	
				128	4200K	
				192	3200K	
				255	2700K	
6	10	2	Virtual colorwheel	0	Disabled	0
				001-002	Filter 004 (Medium Bastard Amber)	
				003-004	Filter 025 (Sunset Red)	
				005-006	Filter 019 (Fire)	
				007-008	Filter 026 (Bright Red)	
				009-010	Filter 058 (Lavender)	
				011-012	Filter 068 (Sky Blue)	
				013-014	Filter 036 (Medium Pink)	
				015-016	Filter 089 (Moss Green)	
				017-018	Filter 088 (Lime Green)	
				019-020	Filter 090 (Dark Yellow Green)	
				021-022	Filter 049 (Medium Purple)	
				023-024	Filter 052 (Light Lavender)	
				025-026	Filter 102 (Light Amber)	
				027-028	Filter 103 (Straw)	
				029-030	Filter 140 (Summer Blue)	
				031-032	Filter 124 (Dark Green)	
				033-034	Filter 106 (Primary Red)	
				035-036	Filter 111 (Dark Pink)	
				037-038	Filter 115 (Peacock Blue)	
				039-040	Filter 126 (Mauve)	
				041-042	Filter 117 (Steel Blue)	
				043-044	Filter 118 (Light Blue)	
				045-046	Filter 122 (Fern Green)	
				047-048	Filter 182 (Light Red)	
				049-050	Filter 121 (FiFilter Green)	
				051-052	Filter 128 (Bright Pink)	
				053-054	Filter 131 (Marine Blue)	
				055-056	Filter 132 (Medium Blue)	
				057-058	Filter 134 (Golden Amber)	
				059-060	Filter 135 (Deep Golden Amber)	
				061-062	Filter 136 (Pale Lavender)	
063-064	Filter 137 (Special Lavender)					
065-066	Filter 138 (Pale Green)					
067-068	Filter 798 (Chrysalis Pink)					
069-070	Filter 141 (Bright Blue)					
071-072	Filter 147 (Apricot)					
073-074	Filter 148 (Bright Rose)					
075-076	Filter 152 (Pale Gold)					

				077-078	Filter 154 (Pale Rose)	
				079-080	Filter 157 (Pink)	
				081-082	Filter 143 (Pale Navy Blue)	
				083-084	Filter 162 (Bastard Amber)	
				085-086	Filter 164 (Flame Red)	
				087-088	Filter 165 (Daylight Blue)	
				089-090	Filter 169 (Lilac Tint)	
				091-092	Filter 170 (Deep Lavender)	
				093-094	Filter 172 (Lagoon Blue)	
				095-096	Filter 194 (Surprise Pink)	
				097-098	Filter 180 (Dark Lavender)	
				099-100	Filter 181 (Congo Blue)	
				101-102	Filter 197 (Alice Blue)	
				103-104	Filter 201 (Full C.T. Blue)	
				105-106	Filter 202 (Half C.T. Blue)	
				107-108	Filter 203 (Quarter C.T. Blue)	
				109-110	Filter 204 (Full C.T. Orange)	
				111-112	Filter 219 (Fluorescent Green)	
				113-114	Filter 206 (Quarter C.T. Orange)	
				115-116	Filter 247 (FiFilter Minus Green)	
				117-118	Filter 248 (Half Minus Green)	
				119-120	Filter 281 (Three Quarter C.T. Blue)	
				121-122	Filter 285 (Three Quarter C.T. Orange)	
				123-124	Filter 352 (Glacier Blue)	
				125-126	Filter 353 (Lighter Blue)	
				127-128	Filter 507 (Madge)	
				129-130	Filter 778 (Millennium Gold)	
				131-132	Filter 793 (Vanity Fair)	
				133-235	Raw DMX	
				236-245	Rainbow fade slow>fast	
				246-255	Rainbow effect slow>fast	
7	11	3	Color fade	000-255	Color filter fade-time 0s - 25s	0
8	12	4	Crossfade	000-255	Crossfader between the CCT-channel and the color channels (color presets, color channels: red, green, blue, lime)	255
9	13	5	Shutter	000-031	Shutter closed	40
				032-063	Shutter open	
				064-095	Strobe slow>fast	
				096-127	Shutter open	
				128-143	Pulse open slow>fast	
				144-159	Pulse close slow>fast	
				160-191	Shutter open	
				192-223	Random strobe	
224-255	Shutter open					
10	14	6	Dimmer	0-255		0
-	15	-	Dimmer fine	0-255		
11	16	7	Pan	0-255		32767
12	17	8	Pan fine	0-255		
13	18	9	Tilt	0-255		32767
14	19	10	Tilt fine	0-255		
15	20	11	P/T speed	0-255		0
16	21	12	Special functions	0-19	No function	0
				20-24	Display On	
				25-29	Display Off	
				30-34	RGBL Color mixing mode	

				35-39	CMY color mixing mode	
				40-44	P/T Speed mode	
				45-49	P/T Time mode	
				50-54	BO on P/T enable	
				55-59	BO on P/T disable	
				60-64	Dim curve: Square	
				65-69	Dim curve: Linear	
				70-79	Fan mode: Auto	
				80-84	Fan mode: High	
				85-89	Fan mode: Low	
				90-95	White point: 8000K	
				96-99	White point: 6000K	
				100-105	White point: Off	
				106-139	No function	
				140-149	P/T Reset	
				150-159	Zoom reset	
				160-169	No function	
				170-175	Tungsten Emu: On	
				176-179	Tungsten Emu: Disabled	
				180-255	No function	
17	22	13	Zoom	0-255		128/32767
-	23	-	Zoom fine	0-255		
-	-	14	Red - 1	0-255		255
-	-	15	Green - 1	0-255		255
-	-	16	Blue - 1	0-255		255
-	-	17	Lime - 1	0-255		255
-	-	18	Red - 2	0-255		255
-	-	19	Green - 2	0-255		255
-	-	20	Blue - 2	0-255		255
-	-	21	Lime - 2	0-255		255

RDM FUNCTIONS / REMOTE SETUP

RDM means “Remote Device Management”. This projector works with a brief set of RDM-functions which means that it can setup a bi-directional communication with an RDM-compatible DMX-controller. Some of these functions are briefly explained below, others will be added in the future.

- The DMX-controller sends out a “discovery command”, all RDM devices respond and send their unique device ID.
- The DMX-controller asks each RDM device for some basic data so it knows which devices are connected. The projector will respond:
 - **Device name:** BT-VERIGO
 - **Manufacturer:** Briteq®
 - **Category:** fixture fixed
 - **Firmware:** x.x.x.x (firmware version of the projector)
 - **DMX address:** xxx (current DMX start address of the projector)
 - **DMX footprint:** xx (number of DMX-channels used by the projector)
 - **Personality:** xx (current personality or DMX-working mode used by the projectors)
 - **Temperature:** xx (current temperature of the Led module)
- The DMX-controller can send certain commands to each RDM device which allow remote setup of the units. Thanks to this the projector can be setup remotely.

The following functions can be managed remotely:

No more need to take a ladder and set all units one by one!

- **DMX START ADDRESS:** The start address can be set remotely from 001 to xxx.
- **PERSONALITY:** The DMX working mode (DMX-chart) can be set remotely.

These 2 functions make it possible to prepare a complete DMX-patch of all projectors on the DMX-controller and send these data to all projectors at once. More functions will be added later.

MAINTENANCE

- Make sure the area below the installation place is free from unwanted persons during servicing.
- Switch off the unit, unplug the mains cable and wait until the unit has been cooled down.

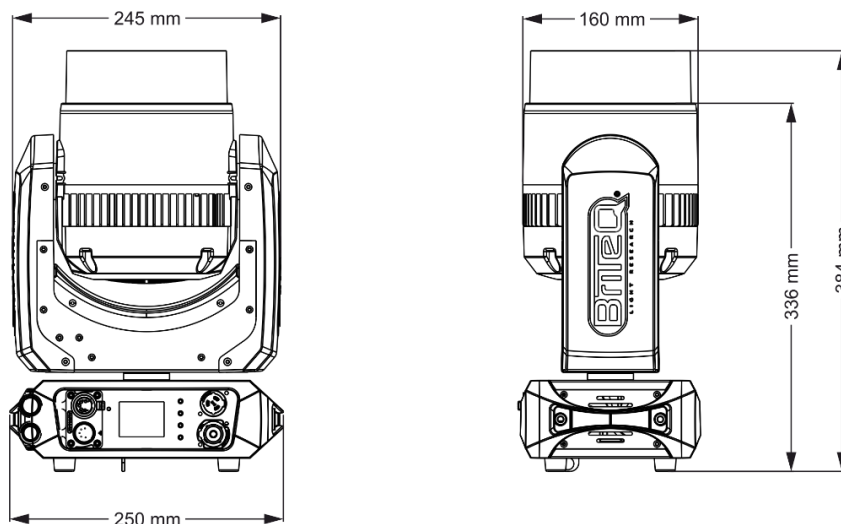
During inspection the following points should be checked:

- All screws used for installing the device and any of its parts should be tightly fastened and may not be corroded.
- Housings, fixations and installations spots (ceiling, truss, suspensions) should be totally free from any deformation.
- When an optical lens is visibly damaged due to cracks or deep scratches, it must be replaced.
- The mains cables must be in impeccable condition and should be replaced immediately when even a small problem is detected.
- To protect the device from overheat the cooling fans (if any) and ventilation openings should be cleaned monthly.
- The interior of the device should be cleaned annually using a vacuum cleaner or air-jet.
- The cleaning of internal and external optical lenses and/or mirrors must be carried out periodically to optimize light output. Cleaning frequency depends on the environment in which the fixture operates: damp, smoky or particularly dirty surroundings can cause greater accumulation of dirt on the unit's optics.
 - Clean with a soft cloth using normal glass cleaning products.
 - Always dry the parts carefully.
 - Clean the external optics at least once every 30 days.

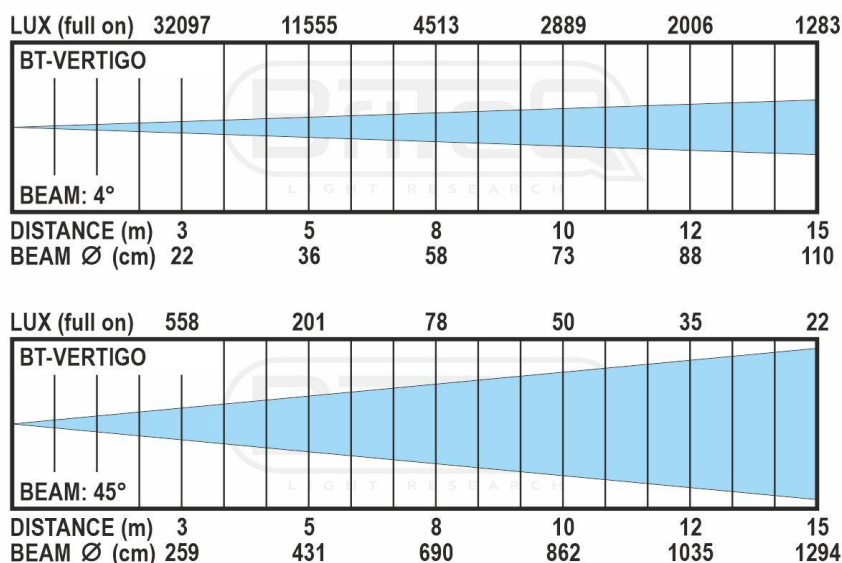
SPECIFICATIONS

This device carries the prescribed CE marking. It was tested for this purpose in a specialized CE lab and fully complies with all currently valid European and national standards. The corresponding CE conformity declarations can be found on the product page of this product on our website.

- Mains Input:** AC 100~240V, 50/60Hz
- Power connections:** Seetronic TRUE1 compatible connector
- Power consumption:** 300Watt (max)
- Power factor:** >0.85
- Daisy chaining:** 10pcs or max 13A (@240Vac)
- IP-rating:** IP20
- Operation Temperature:** 0°C → +40°C
- DMX connections:** 5pin XLR IN/OUT, RDM & BT-XLR5TO3 kit compatible
- Movement:** Pan: 450° Tilt: 228°
- DMX channels used:** 17, 23 and 21 Channels
- Lamp:** 7x60W RGLB LED
- Beam angle:** 4° (6° field) → 45° (70° field)
- Size (WxLxH):** 250 x 165 x 384 mm (lens fully extended)
- Weight:** 6.25 kg



LUX CHART



All the information is subject to change without prior notice
 You can download the latest version of this user manual on our website: www.briteq-lighting.com



MAILING LIST

EN: Subscribe today to our mailing list for the latest product news!

FR: Inscrivez-vous à notre liste de distribution si vous souhaitez suivre l'actualité de nos produits!

NL: Abonneer je vandaag nog op onze mailinglijst en ontvang ons laatste product nieuws!

DE: Abonnieren Sie unseren Newsletter und erhalten Sie aktuelle Produktinformationen!

ES: Suscríbete hoy a nuestra lista de correo para recibir las últimas noticias!

PT: Inscreva-se hoje na nossa mailing list para estar a par das últimas notícias!

WWW.BRITEQ-LIGHTING.COM

Copyright © 2024 by BEGLEC NV

't Hofveld 2C ~ B1702 Groot-Bijgaarden ~ Belgium

Reproduction or publication of the content in any manner, without express permission of the publisher, is prohibited.