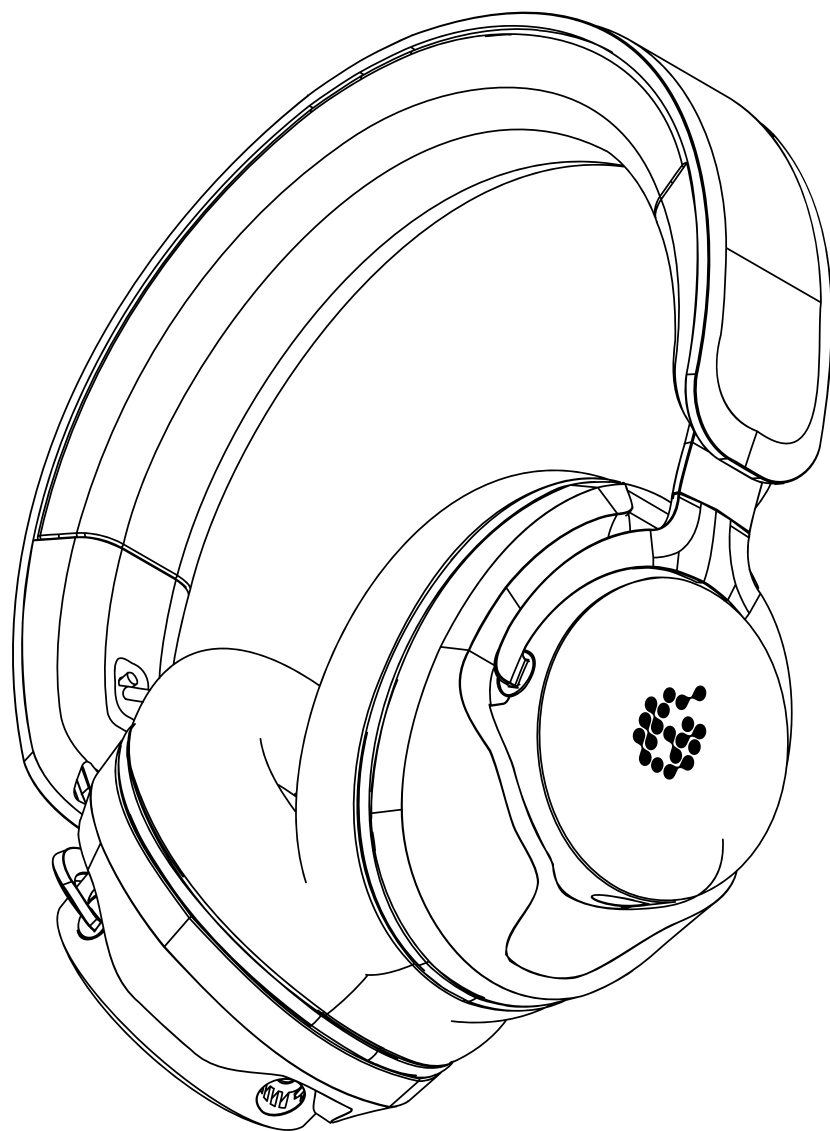


H200

Dynamic Closed-Back
Studio Headphones



OPERATION MANUAL

 **ADAM AUDIO**

WELCOME!

Thank you for choosing ADAM Audio!

We've put a lot of passion into this product and we hope you enjoy your new **H200 Dynamic Closed-Back Studio Headphones.**

They were designed and manufactured to very high standards so you can enjoy and creatively use them for many years.

Register your H200 at: → www.adam-audio.com/my-adam/

Again, thank you and greetings from Berlin,



Christian Hellinger
Managing Director

CONTENTS

| | | |
|-----|--------------------------------|----|
| 1. | IMPORTANT SAFETY INSTRUCTIONS | 4 |
| 2. | WHAT'S INCLUDED | 5 |
| 3. | ATTACHING THE CONNECTION CABLE | 6 |
| 4. | USING THE H200 | 8 |
| 5. | REPLACING THE EARPADS | 9 |
| 6. | REPLACING THE HEADBAND | 10 |
| 7. | INSTRUCTIONAL VIDEO | 11 |
| 8. | SHIPPING | 11 |
| 9. | TECHNICAL DATA | 11 |
| 10. | ACCESSORIES | 11 |

1. IMPORTANT SAFETY INSTRUCTIONS

Explanation of Graphical Symbols



The exclamation point within an equilateral triangle is intended to alert the user to the presence of important operating and maintenance [servicing] instructions in the literature accompanying the appliance.

- Please read this manual carefully and completely before using the product.
- Do not use an obviously defective product.
- When passing this product to a third party, always include this manual.
- Keep this product, its accessories and packaging parts out of reach of children to prevent swallowing or choking hazards.
- Do not use this product in an environment where your hearing abilities are needed.

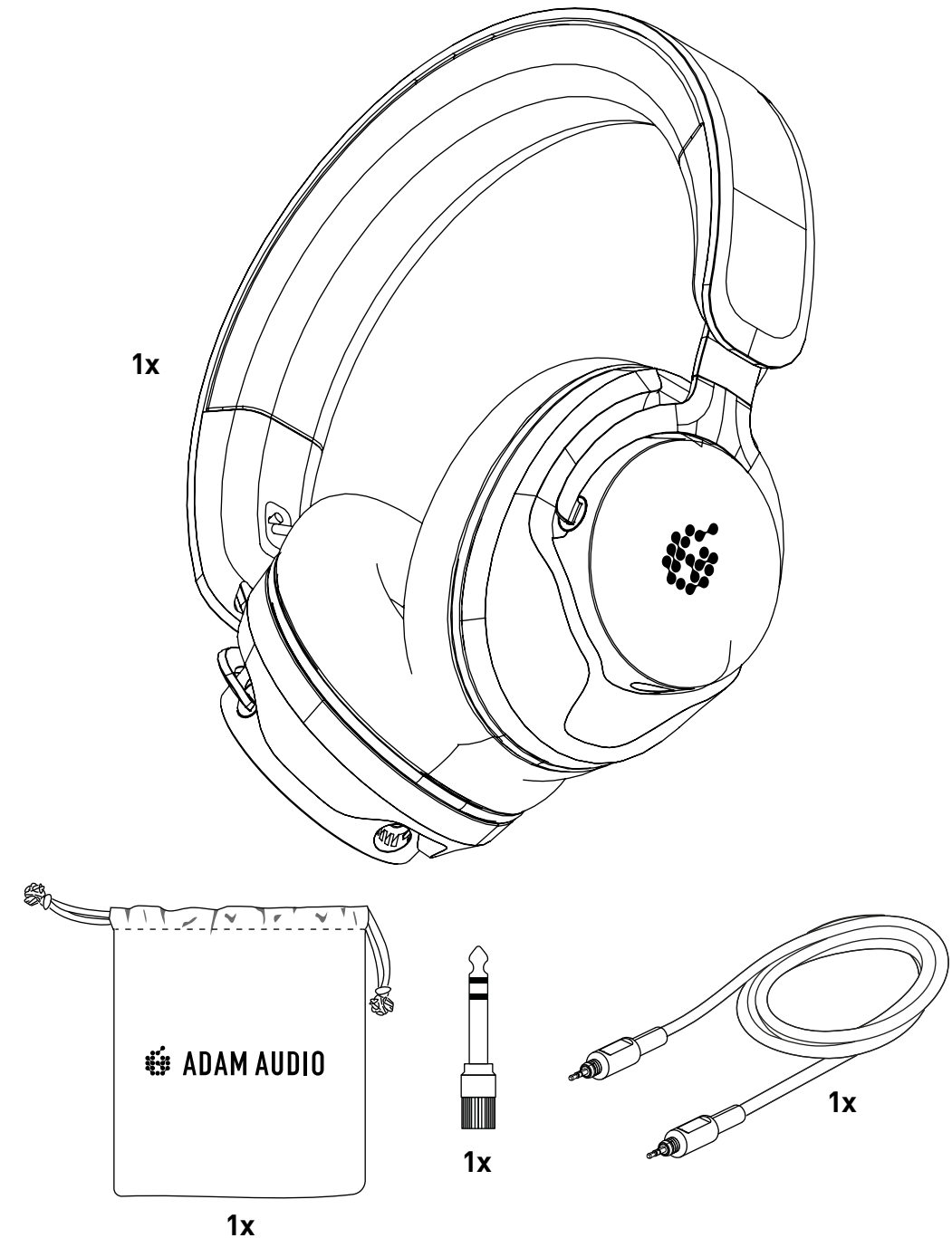
Health

- This headphone can generate sound pressure levels in excess of 85 dB(A). High sound levels may damage your hearing! Sound exposure is a function of time and level. Longer times and lower levels can be equivalent to shorter times and higher levels. Exercise caution when using this product.
- The product generates stronger static magnetic fields which may affect pacemakers or implanted defibrillators.

Preventing damage to the product

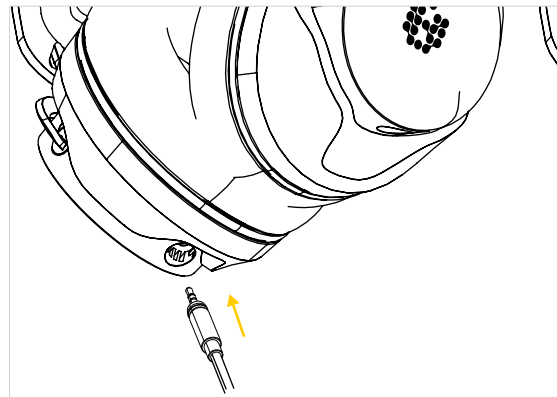
- Do not expose this product to rain or moisture, never wet the product with any liquid and never pour or spill liquids directly onto this unit.
- Never expose this product to extremely high or low temperatures.
- Do not place product in direct sunlight.
- Only use a dry lint-free cloth for cleaning.

2. WHAT'S INCLUDED

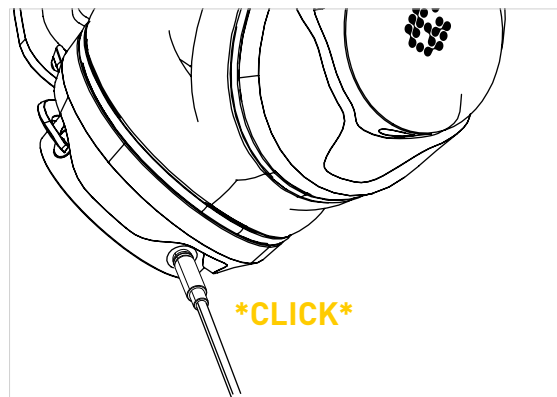


3. ATTACHING THE CONNECTION CABLE

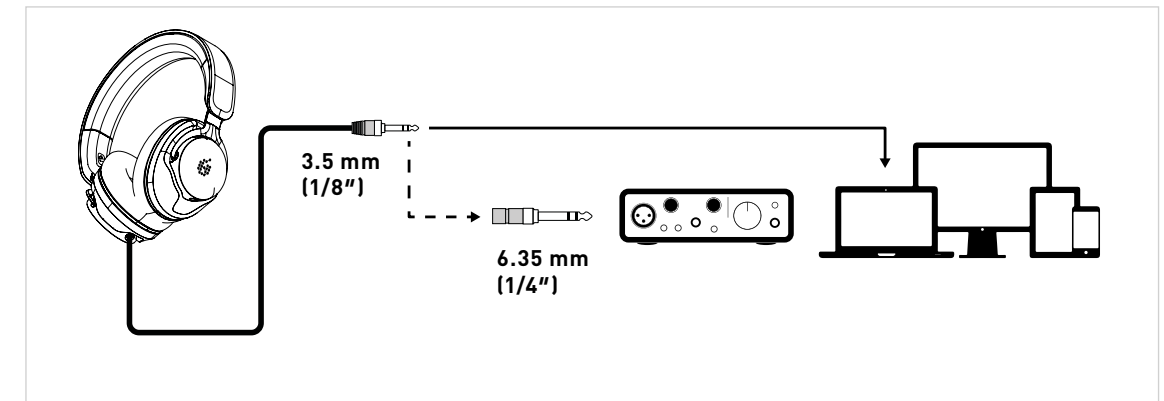
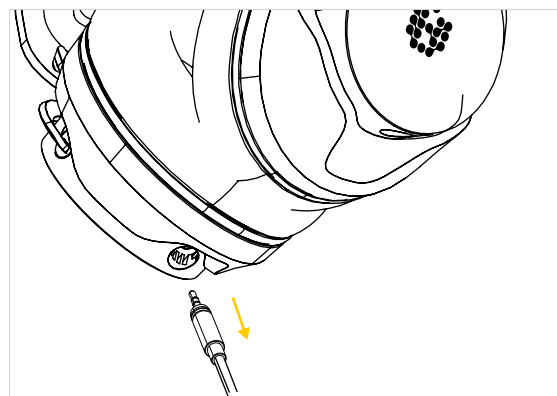
→ Attach the included connection cable either to the left or the right ear cup.



→ Insert the connection cable into one of the connectors until it locks into place with an audible click.



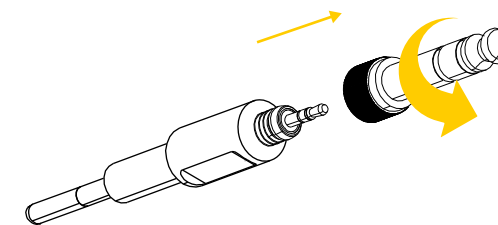
→ To remove or replace the cable, pull it gently out of the connector using the barrel of the jack connector, not the cable.



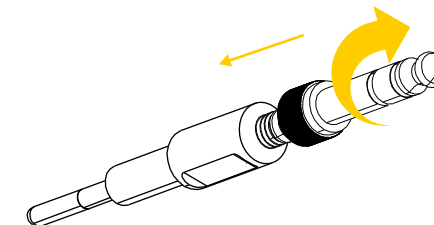
→ Connect the H200 to the headphones output of e.g. a dedicated headphone amplifier, the headphone output of your audio interface, mixer, portable listening device or computer.

→ Use the included **3.5 mm to 6.3 mm adapter** if needed.

→ Detach the adapter from the cable by turning it anticlockwise.



→ Attach the adapter to the cable by turning it clockwise.



4. USING THE H200

- Make sure to position the H200 correctly on your head by checking the **L (left)** and **R (right)** markings in the earcups.



- Pull both ear cups down until they rest comfortably over your ears.



5. REPLACING THE EARPADS

- i** For hygiene reasons and because padding materials naturally degrade over time, earpads and the headband padding should be replaced occasionally. For headphones undergoing heavy use we recommend once a year, for medium and lighter use, once every two years is sufficient.

- To remove the earpads, simply pull firmly from the middle of the cushion until it has detached fully from the earcup.



- To replace the earpad, place it onto the earcup and start to slowly work the outer edge of the earpad into the groove.



- Hold the earpad and earcup with one hand and run your other index finger along the inside in a circle to attach the new earpad. Rotate until the letters align with the yoke.



6. REPLACING THE HEADBAND

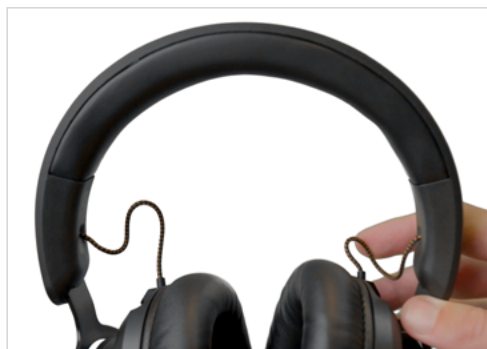
- To remove the headband padding, simply pull firmly from the middle until it has fully clipped out of the headband.




- To replace the headband padding, insert one end into the end cap then clip the padding on the headband, starting from the inserted end and working towards the other. Insert the far end into the other end cap. You may need to open the headband wide to finish installing.



- After several clicks the replaced headband padding should sit flush with the headband again.



7. INSTRUCTIONAL VIDEO

-  Click on the following link to watch a video summarising everything described here:
→ [Link](#)

8. SHIPPING

- Keep your product packaging in case your headphones ever need to be transported. Without the original packing it is extremely difficult to protect your headphones so that they can be shipped without damage. **ADAM Audio cannot accept responsibility for transit damages caused by improper packaging.**

9. TECHNICAL DATA

- For detailed technical specifications, see the ADAM Audio H200 product pages at
→ www.adam-audio.com

10. ACCESSORIES

- Compatible accessories (a short cable, a coiled cable or the soft cloth earpads and headband padding etc) can be seen on product pages at → www.adam-audio.com

ADAM AUDIO GMBH
BERLIN, GERMANY

T +49 30-863 00 97-0
F +49 30-863 00 97-7

INFO@ADAM-AUDIO.COM
WWW.ADAM-AUDIO.COM

H200 Manual © ADAM Audio GmbH 2024

While every effort has been made to ensure the accuracy of the information supplied herein, ADAM Audio GmbH cannot be held responsible for any errors or omissions.
All specifications are subject to change without notice.

WWW.ADAM-AUDIO.COM

V09/24

