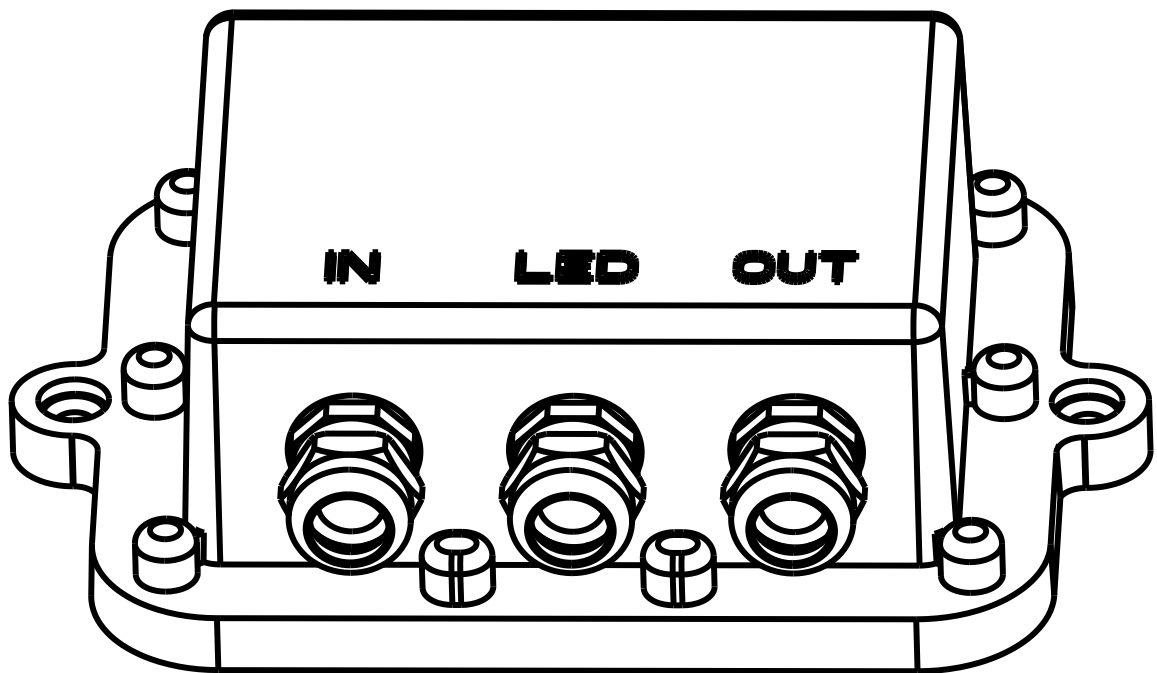


LD-SPLIT IP68



ENGLISH Installation Manual

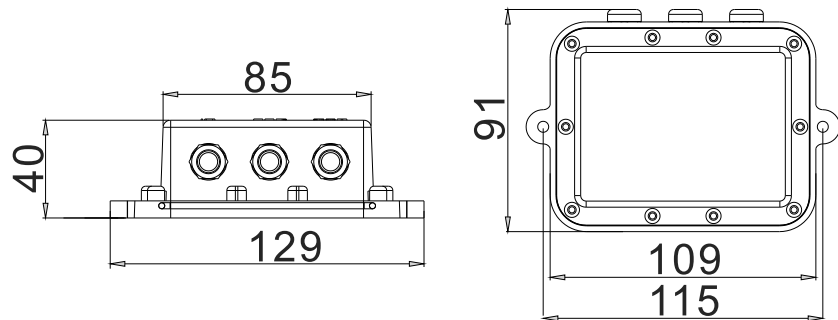
CE

Version: 1.1

BriteQ[®]
LIGHT RESEARCH

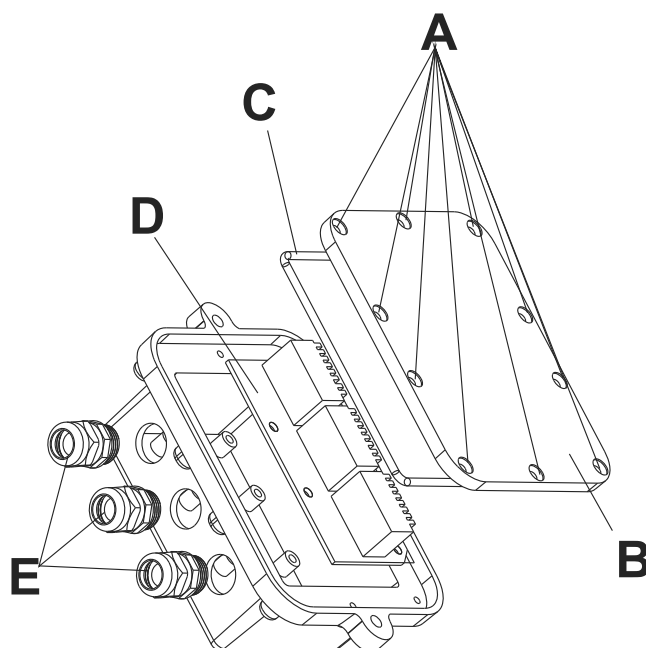
Specification

- Junction box for outdoor applications
- IP 68
- Dimension: 129 x 91 x 40 mm
- Weight: 0.15kg



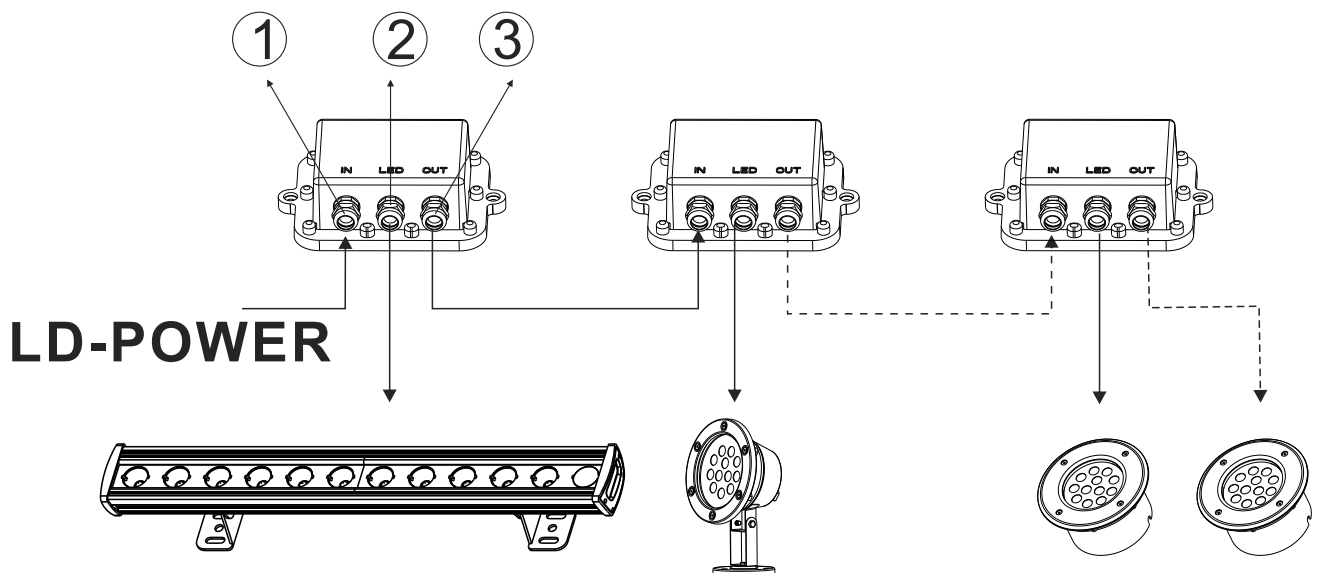
Installation

The LD-SPLIT IP68 should be placed on a non-flammable flat surface in any orientation and fixed by the two screws. There are two mounting holes in the housing.



1. Unscrew all the screws (A), open the right cover (B) and remove the gasket (C).
2. Connect wires to the PCB board (D) through the water-proof input glands (E) as shown below.
3. Install the gasket (C) and the cover (B) back firmly.

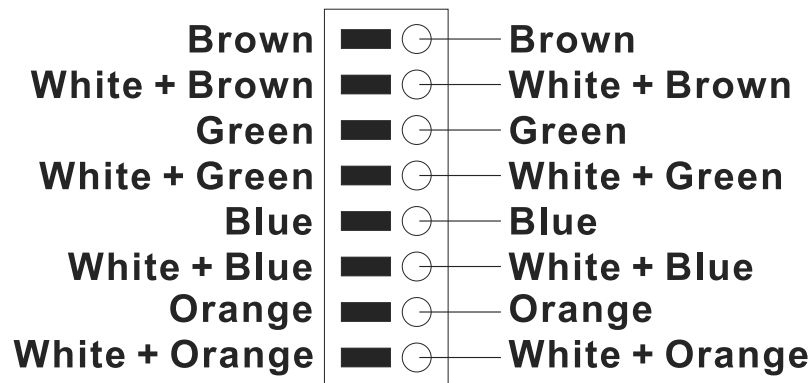
Please connect the units with lights as below:



① **IN (input from LD-POWER)**

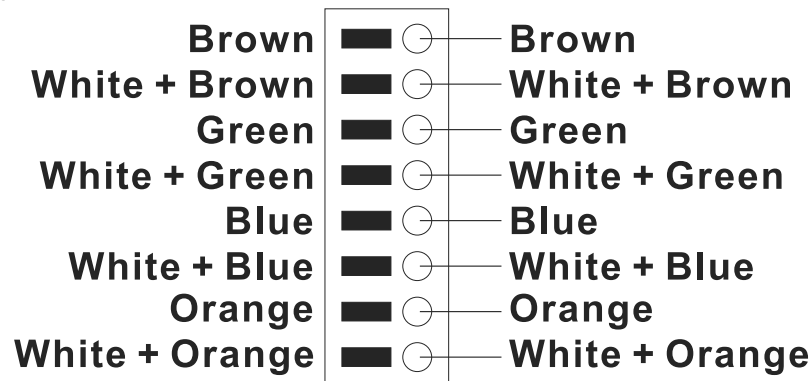
Brown	■	○	—	Brown
White + Brown	■	○	—	White + Brown
Green	■	○	—	Green
White + Green	■	○	—	White + Green
Blue	■	○	—	Blue
White + Blue	■	○	—	White + Blue
Orange	■	○	—	Orange
White + Orange	■	○	—	White + Orange

② LED used (to connect the projector)



③ OUT used (go to next LD-SPLIT or Led Fixture)

OUT: to be used to go to the next „LD-SPLIT IP68" box when more projectors should be connected.
LED FIXTURE: when you only have to connect one more projector, you should connect it directly to this connector.

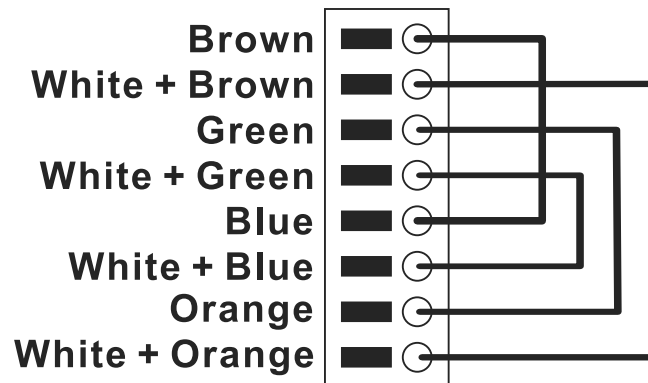


④ OUT not used (only 1 projector connected)

If you only connect one projector to the „LD-SPLIT IP68" you MUST connect this projector to the output marked „LED“.

VERY IMPORTANT: to close the circuit you also MUST install the small wires as shown below. If not installed, the circuit is not closed and the projector will not work.

VERY IMPORTANT: WITH NO CABLE CONNECTED, MAKE SURE THAT THE OUTPUT GLAND IS CLOSED OTHERWISE WATER CAN ENTER THE BOX !!!



WWW.BRITEQ-LIGHTING.COM

Copyright © 2009 ~ 2012 by BEGLEC NV

't Hofveld 2C ~ B1702 Groot-Bijgaarden ~ Belgium

Reproduction or publication of the content in any manner, without express permission of the publisher, is prohibited.