

SUSHI datasheet

(SUSHI-DS, SUSHI-RB, SUSHI-RJ)
Preliminary version, 13 Nov 2014



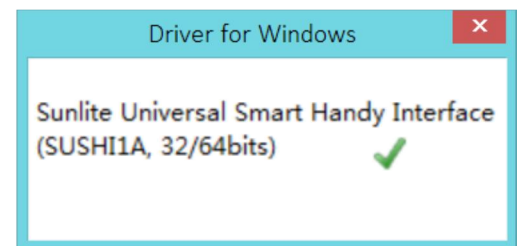
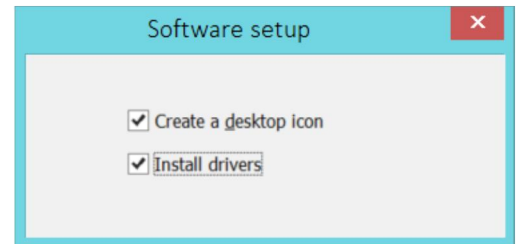
First instructions to use SUSHI

1) download software from our web site
www.dmxsoft.com or www.arcolis.com

2) start software setup
make sure to select "Install drivers"

3) with the USB cable, plug the SUSHI to the PC
windows detects the interface

4) start the software, if the SUSHI is recognized
a small windows appears



Driver for Windows

USB driver is automatically installed during the software setup.
We advice to install the software before to plug the USB interface.

Software for Windows

Easy Stand Alone 1 + Daslight Virtual Controller 1 + Sunlite Suite 2004 + Lumidesk lite
(free download from www.dmxsoft.com or www.arcolis.com)

Important notes for Apple Mac users. Out of the package :

- SUSHI-DS and SUSHI-RB/RJ controllers do not include any Mac software.
- myDMX BUDDY controller includes a limited Mac version of myDMX 2.0 software. (No 3D visualizer, No Easy Remote or No Midi features)

Mac software versions will be available to purchase in early 2015. These will include yearly and monthly software and support subscription packages.

Technical Data

Input Power: 5V DC 0.3A

Output Protocol: DMX (3 types of connector)

Output Connector: XLR 3pin (DS) Block 3 pins (RB) RJ45 8 pins (RJ)

Number of channels for live/pc use: 128 (expandable to 512, to purchase in early 2015)

Number of channels for stand alone use: 12 (expandable to 512, to purchase in early 2015)

Programmability: with PC/Windows (MAC in option, to purchase in early 2015)

Indicators: 2 (red/dmx + green/stand alone)

Button: 1 (access to next scene in stand alone mode)

I/O ports: 2 contact inputs (optional) with RJ version

Stand Alone Memory: 1266 steps with 12 channels / 8 scenes

DMX driver chipset: SP485ECP-L MAX485CPA+ ADM485JNZ

Temperature: -10 °C + 45 °C

Dimensions: 75x20x17mm (DS) 63x26x28mm (RB) 55x26x28mm (RB)

Weight: 37g (DS) 22g (RB) 21g (RJ)

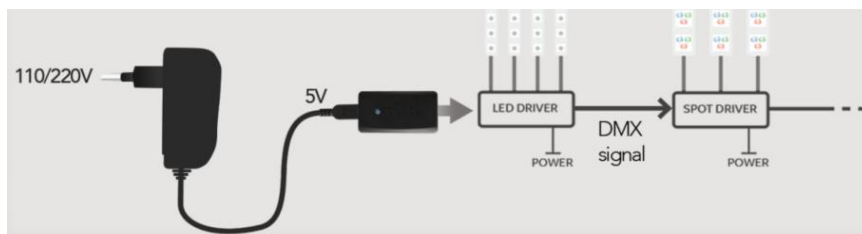
Warranty: 12 months, caution : opening the interface will avoid the warranty.

DMX output / 3 types of connector

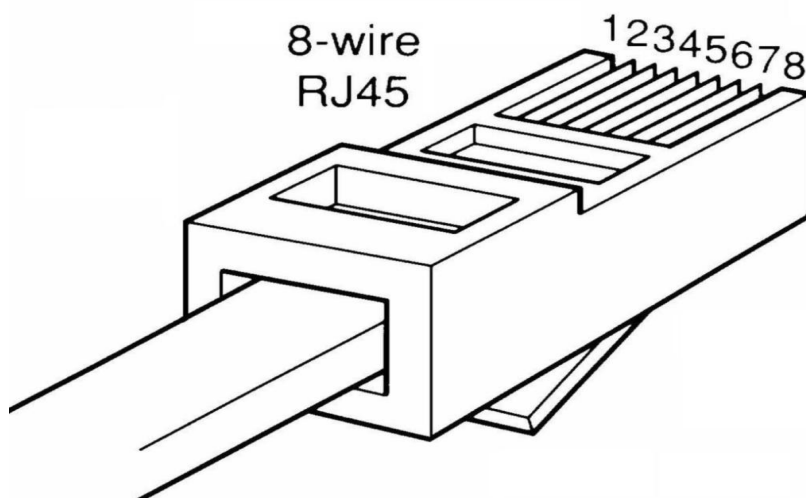
SUSHI-DS :	XLR female 3 pins Connector	pin1 ground	pin2 data-	pin3 data+
SUSHI-RB :	SCREW Connector Block	pin1 ground	pin3 data-	pin2 data+
SUSHI-RJ :	RJ45 8 pins Connector	pin8 ground	pin2 data-	pin1 data+

Stand alone use / power

For stand alone use, the SUSHI can be powered by a standard 5V USB power
This optional power supply is available for a cost of USD 15.
(available with EU, UK or US plug)



RJ45 connector (SUSHI-RJ)



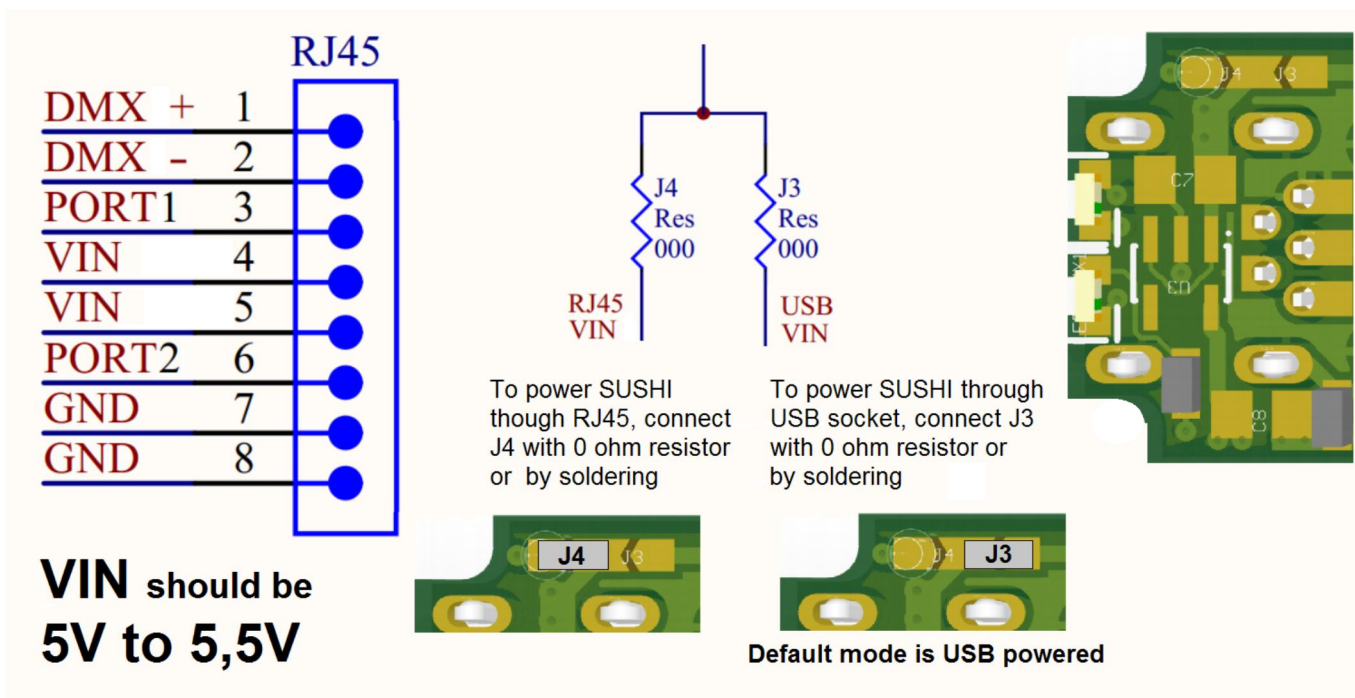
Use Pins 1,2,8 for DMX OUTPUT

1 = DMX+ 2 = DMX- 8 = DMX GROUND

Other pins : Reserved for electronic technicians !



5V Power input (4-5= VIN-5V 7=GROUND)
2 contacts inputs (3=Port1 6=Port2)



How to use the 2 contacts inputs : make a contact between the Port (pin 3 or 6) and GND (pin 7 or 8)
Port triggering is not available by default (option). Contact us to know the price.