



# SUSHI-RB/RJ

The smallest DMX lighting controller in the world

12 channels (expandable to 512) - From \$39



RJ  
RJ45 output



Stand alone USB-DMX



RB  
Connector block output

[www.arcolis.com](http://www.arcolis.com)



# 1 CHOOSE OPTIONS AND SOFTWARE

From [www.arcolis.com](http://www.arcolis.com), buy more channels, more software, din-rail or wall supports, usb power supply...etc

Compatible  **Windows**  
( optional)

12 Channels  
(expandable to 512 in packs of 50)

2 trigger ports  
(only for RJ)

Two attachments available



**DIN-RAIL  
ADAPTER**



**WALL  
ADAPTER**

# 2 WRITE THE MEMORY

Build the scenes with the software and write the stand alone memory via USB.

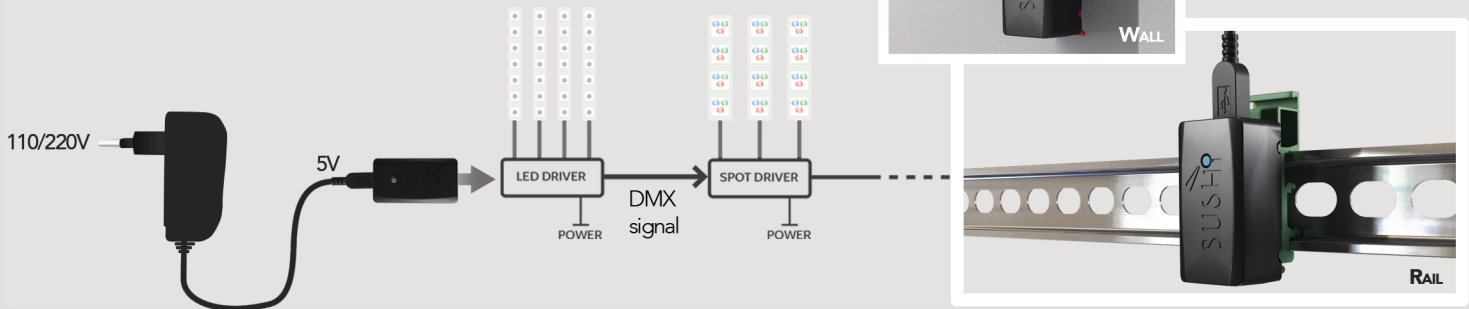
ESA1 software for 32/64bit  
Windows (XP, Vista, 7, 8).  
Purchase ESA2 to use on both  
Windows and Mac

DMX signal



# 3 USE IN STAND ALONE

Use the SUSHI interface in stand alone (without a computer) with a USB power supply. Mount it with the optional wall or din-rail supports.



Buy more channels - up to 512

The world's most attractive DMX controller

Buy more software and direct support

Includes the Nicolaudie SUSHI technology

Join the Arcolis developers association

Control any DMX512 compatible fixtures

Worldwide distribution and one year warranty


High quality product at a unique low-cost price

Compatible with Windows, Mac, Linux and more

A wide range of software with the same interface

[www.arcolis.com](http://www.arcolis.com)

**SUSHI**  
Sunlite Universal Smart Handy Interface

Minimum Order Quantity (MOQ) is 50 pieces.  
Discount levels are 50, 150 and 500 pieces  
SUSHI-RJ/RB is manufactured by DmxSoft Limited (HK)  
✉ [sushi@arcolis.com](mailto:sushi@arcolis.com)  [sushi-dmxsoft](http://sushi-dmxsoft.com)

Arcolis, Sushi, Dmxsoft, Easy Stand Alone and ESA2 are part of the Nicolaudie Group.  
All other registered trademarks are property of their respective owners.

All prices are in US Dollars (US\$)

Arcolis © 2015 | All rights reserved

To get direct support on Easy Stand Alone software, customers need to purchase the ESA2 software.

