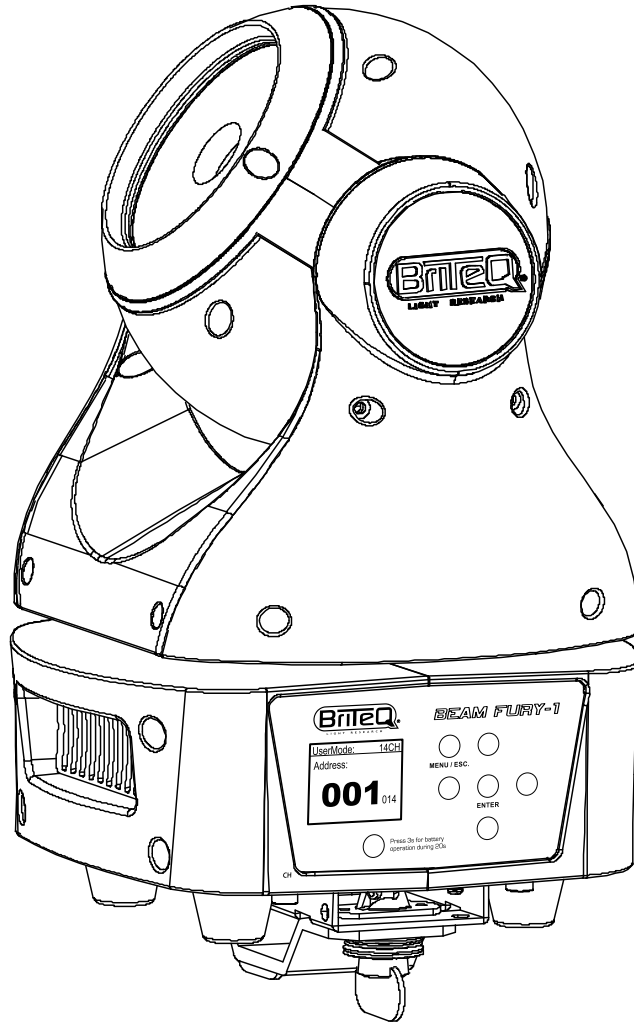


BEAM FURY-1



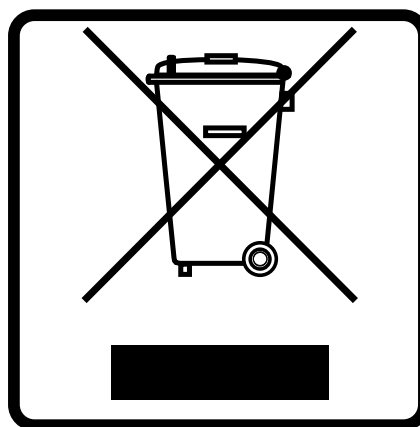
ENGLISH Operation Manual

Other languages can be downloaded from:
WWW.BRITEQ-LIGHTING.COM



Version: 1.0





EN - DISPOSAL OF THE DEVICE

Dispose of the unit and used batteries in an environment friendly manner according to your country regulations.

FR - DÉCLASSER L'APPAREIL

Débarrassez-vous de l'appareil et des piles usagées de manière écologique Conformément aux dispositions légales de votre pays.

NL - VERWIJDEREN VAN HET APPARAAT

Verwijder het toestel en de gebruikte batterijen op een milieuvriendelijke manier conform de in uw land geldende voorschriften.

DU - ENTSORGUNG DES GERÄTS

Entsorgen Sie das Gerät und die Batterien auf umweltfreundliche Art und Weise gemäß den Vorschriften Ihres Landes.

ES - DESHACERSE DEL APARATO

Reciclar el aparato y pilas usadas de forma ecologica conforme a las disposiciones legales de su país.

PT - COMO DESFAZER-SE DA UNIDADE

Tente reciclar a unidade e as pilhas usadas respeitando o ambiente e em conformidade com as normas vigentes no seu país.

OPERATION MANUAL

Thank you for buying this Briteq® product. To take full advantage of all possibilities and for your own safety, please read these operating instructions very carefully before you start using this unit.

FEATURES

- The combination of a 60W RGBW led and a very efficient collimator optic 4° lens results in an extremely powerful single beam projector. It has endless possibilities and ease of use to create astonishing light shows!
- High speed ENDLESS ROTATION pan/tilt movements with 16bit resolution make it an amazing tool for all kinds of spectacular shows! (also normal 270° tilt + 540°/630°pan available)
- Thanks to the included 10° and 45° filters this beauty can also be used as a wash projector.
- Different DMX-modes: 12 and 14 channels
- RDM-functionality for easy remote setup: DMX addressing, channel mode, ...
- The matrix LCD-display assures easy navigation in the different setup menus
- TV-Studio ready: extremely low noise cooling system and flicker free 1200Hz LED refresh rate.
- Selectable lamp behavior: halogen lamp (slow) or led (fast)
- Four dimmer curves: linear, square, inverse square, S-curve
- In case of DMX failure you can choose between blackout and freeze mode.
- Lock function to avoid unwanted altering of the settings.
- White balance adjustment to perfectly match the colors of several projectors.
- Default factory settings + user settings can be saved/loaded.
- Neutrik PowerCON in/outputs: easy daisy chaining of several units.
- Both 3pin & 5pin DMX in/outputs for maximum compatibility
- Equipped with omega brackets for fast installation
- High efficiency and low power consumption!

BEFORE USE

- Before you start using this unit, please check if there's no transportation damage. Should there be any, do not use the device and consult your dealer first.
- **Important:** This device left our factory in perfect condition and well packaged. It is absolutely necessary for the user to strictly follow the safety instructions and warnings in this user manual. Any damage caused by mishandling is not subject to warranty. The dealer will not accept responsibility for any resulting defects or problems caused by disregarding this user manual.
- Keep this booklet in a safe place for future consultation. If you sell the fixture, be sure to add this user manual.

Check the contents:

Check that the carton contains the following items:

- English operating instructions, other languages can be downloaded from our website.
- BEAM FURY-1
- PowerCON mains cable
- 1 omega bracket

SAFETY INSTRUCTIONS:



CAUTION
RISK OF ELECTRIC SHOCK
DO NOT OPEN



CAUTION: To reduce the risk of electric shock, do not remove the top cover. No user-serviceable parts inside. Refer servicing to qualified service personnel only.



The lightning flash with arrowhead symbol within the equilateral triangle is intended to alert the user or the presence of un-insulated "dangerous voltage" within the product's enclosure that may be of sufficient magnitude to constitute a risk of electric shock.



The exclamation point within the equilateral triangle is intended to alert the user to the presence of important operation and maintenance (servicing) instructions in the literature accompanying this appliance.



This symbol means: indoor use only



This symbol means: Read instructions



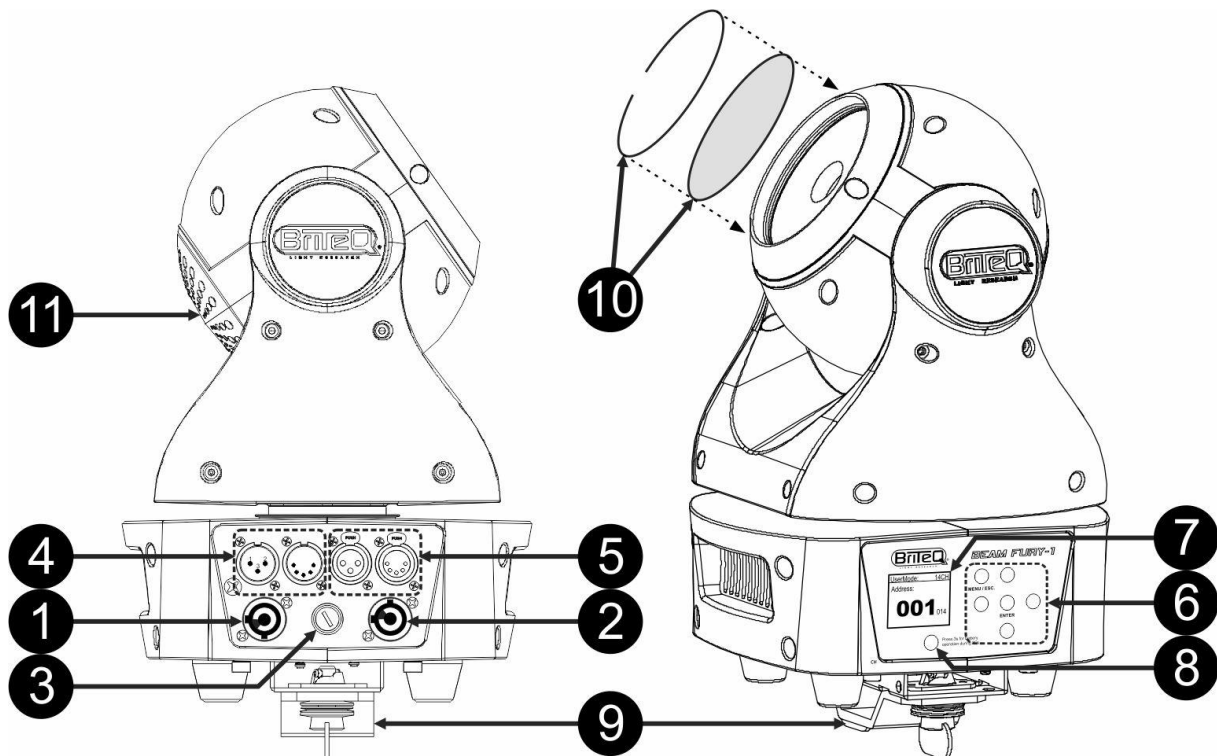
This symbol determines: the minimum distance from lighted objects. The minimum distance between light-output and the illuminated surface must be more than 1 meters

RISK GROUP 2
CAUTION:
Do not stare at operating lamp

CAUTION: Do not stare at operating lamp.
May be harmful to the eyes.

- To protect the environment, please try to recycle the packing material as much as possible.
- To prevent fire or shock hazard, do not expose this appliance to rain or moisture.
- To avoid condensation to be formed inside, allow the unit to adapt to the surrounding temperatures when bringing it into a warm room after transport. Condense sometimes prevents the unit from working at full performance or may even cause damages.
- This unit is for indoor use only.
- Don't place metal objects or spill liquid inside the unit. Electric shock or malfunction may result. If a foreign object enters the unit, immediately disconnect the mains power.
- Locate the fixture in a well ventilated spot, away from any flammable materials and/or liquids. The fixture must be fixed at least 50cm from surrounding walls.
- Don't cover any ventilation openings as this may result in overheating.
- Prevent use in dusty environments and clean the unit regularly.
- Keep the unit away from children.
- Inexperienced persons should not operate this device.
- Maximum safe ambient temperature is 40°C. Don't use this unit at higher ambient temperatures.
- Make sure the area below the installation place is free from unwanted persons during rigging, de-rigging and servicing.
- Allow the device about 10 minutes to cool down before to start servicing.
- Always unplug the unit when it is not used for a longer time or before to start servicing.
- The electrical installation should be carried out by qualified personal only, according to the regulations for electrical and mechanical safety in your country.
- Check that the available voltage is not higher than the one stated on the unit.
- The power cord should always be in perfect condition. Switch the unit immediately off when the power cord is squashed or damaged. It must be replaced by the manufacturer, its service agent or similarly qualified persons in order to avoid a hazard.
- Never let the power-cord come into contact with other cables!
- This fixture must be earthed in order to comply with safety regulations.
- Don't connect the unit to any dimmer pack.
- Always use an appropriate and certified safety cable when installing the unit.
- In order to prevent electric shock, do not open the cover. Apart from the mains fuse there are no user serviceable parts inside.
- **Never** repair a fuse or bypass the fuse holder. **Always** replace a damaged fuse with a fuse of the same type and electrical specifications!
- In the event of serious operating problems, stop using the fixture and contact your dealer immediately.
- The housing and the lenses must be replaced if they are visibly damaged.
- Please use the original packing when the device is to be transported.
- Due to safety reasons it is prohibited to make unauthorized modifications to the unit.

Important: Never look directly into the light source! Don't use the effect in the presence of persons suffering from epilepsy.

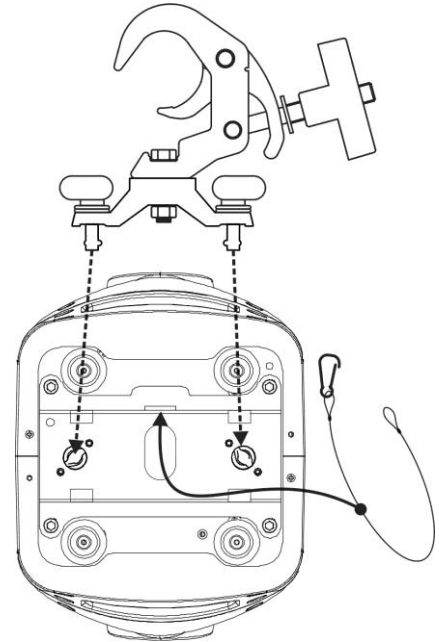
DESCRIPTION:

1. **MAINS INPUT:** equipped with original Neutrik PowerCON®. Connect the supplied mains cable or any PowerCON® extension cable here.
2. **MAINS OUTPUT:** used to daisy chain the power to several other projectors. Always pay attention to the maximum load while adding projectors! Special Multi cables (PowerCON® + DMX XLR-cables are optionally available: see our website!)
3. **MAINS FUSE:** protects the unit in case of electrical problems, always use the prescribed fuse!
4. **DMX IN:** both 3pin and 5pin inputs are available to daisy chain the projector with other units that will be controlled by a DMX-controller. The DMX-inputs are also used to update the firmware of the projector, see the upgrade instructions on our website.
5. **DMX OUT:** both 3pin and 5pin outputs are available to daisy chain the projector with other units that will be controlled by a DMX-controller.
6. **[MENU] buttons:** used to browse the different options of the setup menu.
 - **MENU/ESC. Button:** has several functions:
 - **Enter the SETUP-menu:** press shortly.
 - **Enter the SETUP-menu while the display lock function is active:** press during 3s.
 - **Go 1 level up in the SETUP-menu:** press shortly to go 1 level up.
 - **Leave the SETUP-menu:** press several times until the standard display is shown.
 - **◀/▶ Buttons:** mainly used to navigate in the SETUP-menu. The ▶ button is also used to rotate the display over 180° (upside down).
 - **▲/▼ Buttons:** mainly used to change the values of the selected function.
 - **[ENTER]-button:** used to confirm the current action.
7. **DISPLAY:** the backlit matrix LCD-display shows important information like: channel mode, DMX-start/end address, ... The backlight is lit soon as one of the buttons is pressed. The display blinks while the DMX signal is lost.
8. **BATTERY OPERATION Button:** thanks to the internal battery you can browse the SETUP-menu and change settings while the projector is disconnected from the mains.
9. **MOUNTING BASE:** the strong metal base is designed to be used with 1pc "OMEGA BRACKET SMALL" (included) and an optional safety cable.
10. **FROST FILTERS:** 2 filters (10° and 45°) are included to make the very narrow 4° beam wider. Use the metal ring to fix one of these filters in front of the 4° lens.
11. **COOLING FAN:** during its operation the projector produces heat that must be dissipated. The fan inside the projector must be able to evacuate the heat in the most effective way. Therefore is it very important not to cover any of the ventilation openings as this may result in overheating.

OVERHEAD RIGGING

Important: The installation must be carried out by qualified service personal only. Improper installation can result in serious injuries and/or damage to property. Overhead rigging requires extensive experience! Working load limits should be respected, certified installation materials should be used, the installed device should be inspected regularly for safety.

- Make sure the area below the installation place is free from unwanted persons during rigging, de-rigging and servicing.
- Locate the fixture in a well ventilated spot, far away from any flammable materials and/or liquids. The fixture must be fixed **at least 50cm** from surrounding walls.
- The device should be installed out of reach of people and outside areas where persons may walk by or be seated.
- Before rigging make sure that the installation area can hold a minimum point load of 10times the device's weight.
- Always use a certified safety cable that can hold 12times the weight of the device when installing the unit. This secondary safety attachment should be installed in a way that no part of the installation can drop more than 20cm if the main attachment fails.
- The device should be well fixed; a free-swinging mounting is dangerous and may not be considered!
- Don't cover any ventilation openings as this may result in overheating.
- The operator has to make sure that the safety-relating and machine-technical installations are approved by an expert before using them for the first time. The installations should be inspected every year by a skilled person to be sure that safety is still optimal.



SETUP MENU

With the setup menu you can fully configure the projector. All settings are preserved when the unit is disconnected from the mains.

Level 1	Level 2	Level 3	
SET CONFIG	Address-Set	001-XXX	
	CHAN. Mode	12CH	
		14CH	
	FIXTURE Set	LedBehavior	Halogen
			Led
		DIM Curve	Linear
			Square
			Inv. Square
			S-Curve
		NO DMX Mode	Blackout
			Freeze
		TILT Invert	ON / OFF
		PAN Invert	ON / OFF
	PAN Range	540 / 630	
	FEEDBACK	ON / OFF	
	STANDBY	OFF, 01M-99M	
	FAN Set	Auto High Low	
	DISPLAY Set	Backlight	ON, 02-60M
		Flip 180°	ON / OFF
		AUTO LOCK	ON / OFF
noDMX blink		ON / OFF	
DEFAULTS	Temp C/F	Celcius/Fahrenh	
	Factory	LOAD ?	
INFORMATION	TIMERS	Total Time	xxxx Hrs
		Last JOB	xxxx Hrs
	LED Temp.	xxx °C / °F	
	ERROR info	xxxxxxx	
	DMX values	PAN, TILT, ...	
	Model Name	BEAM FURY-1	
	Firmware V.		
TEST/RESET	AUTO TEST		
	RESET Menu	PAN / TILT	

General instructions for setup.

The SETUP-menu has three logically structured levels, see the menu structure on the previous page.

- Press the [MENU] button to enter the SETUP-menu. (Press about 3s while Menu [LOCK] function is active)
- Press the ▲/▼/◀/▶ buttons to browse the different functions of the setup menu until the required function is shown on the display.
- Press the [ENTER] button to access the function and change its parameters.
- Use ▲/▼ buttons to change the value.
- Press the [ENTER] button again confirm.
- To jump to a higher menu level: press the [MENU] button.
- To exit the SETUP-menu: press the [MENU] button several times until the standard display is shown.

Remark: to make things easier you will always enter the SETUP-menu at the last used location.

[SET CONFIG > ADDRESS Set]

Used to set the desired DMX-address.

- Press the ▲/▼/◀/▶ buttons until the desired function is showing on the display.
- Press the [ENTER] button: the values can be changed
- Use ▲/▼ buttons to select the desired DMX512 address. The last occupied DMX-address is also shown: makes it easier to set the address of the next unit in the chain.
- Once the correct address shows on the display, press the [ENTER] button to confirm.

Note: on RDM-compatible controllers this option can also be remotely set.

[SET CONFIG > CHAN. Mode]

Used to set the desired channel mode.

- Press the ▲/▼/◀/▶ buttons until the desired function is showing on the display.
- Press the [ENTER] button: the values can be changed
- Use ▲/▼ buttons to select the desired mode:
 - **12 CH mode:** [PAN/TILT] working in 8bit mode
 - **14 CH mode:** [PAN/TILT] working in 16bit mode (coarse + fine control)
- Once the correct option shows on the display, press the [ENTER] button to confirm.

[SET CONFIG > FIXTURE Set]

All functions in this level are related to the different settings.

[LedBehavior]

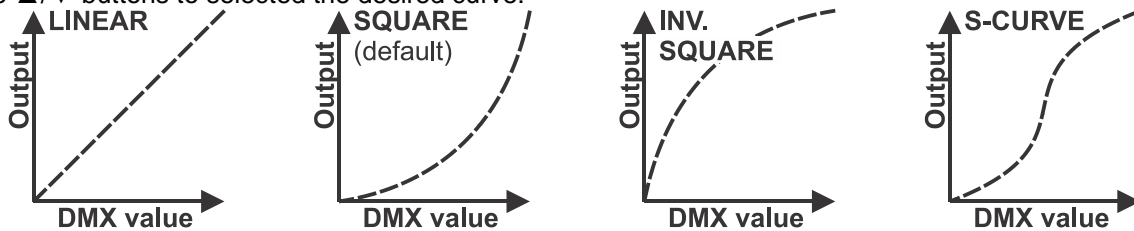
Used to select the reaction time of the projector.

- Press the ▲/▼/◀/▶ buttons until the desired function is showing on the display.
- Press the [ENTER] button: the values can be changed
- Use ▲/▼ buttons to select the desired mode:
 - **LED** The projector follows the instructions instantly, no delay.
 - **HALOGEN** The projector imitates the behavior of a halogen lamp (slower reaction time).
- Once the correct option shows on the display, press the [ENTER] button to confirm.

[DIM Curve]

Used to set the dimmer curve of the master dimmer.

- Press the ▲/▼/◀/▶ buttons until the desired function is showing on the display.
- Press the [ENTER] button: the values can be changed
- Use ▲/▼ buttons to selected the desired curve:



- Once you have the desired curve, press the [ENTER] button to save it.

[NO DMX Mode]

Used to set how the projector reacts when the DMX-signal disappears.

- Press the ▲/▼/◀/▶ buttons until the desired function is showing on the display.
- Press the [ENTER] button: the values can be changed
- Use ▲/▼ buttons to select the desired mode:
 - **BLACKOUT:** output turns black while no DMX is detected.
 - **FREEZE:** output based on the last valid DMX-signal is kept on the projector.
- Once the correct option shows on the display, press the [ENTER] button to confirm.

Note: as soon as the input detects a DMX-signal, blackout or freeze mode will be cancelled.

[TILT Invert]

Used to select if the TILT movements are inverted or not.

- Press the ▲/▼/◀/▶ buttons until the desired function is showing on the display.
- Press the [ENTER] button: the values can be changed
- Use ▲/▼ buttons to toggle between ON and OFF.
- Press the [ENTER] button to confirm.

[PAN Invert]

Used to select if the PAN movements are inverted or not.

- Press the ▲/▼/◀/▶ buttons until the desired function is showing on the display.
- Press the [ENTER] button: the values can be changed
- Use ▲/▼ buttons to toggle between ON and OFF.
- Press the [ENTER] button to confirm.

[PAN Range]

Used to select the maximum range for the PAN movements.

- Press the ▲/▼/◀/▶ buttons until the desired function is showing on the display.
- Press the [ENTER] button: the values can be changed
- Use ▲/▼ buttons to select the desired PAN range:
 - **540°** PAN range = 540° (or 1 ½ rotations)
 - **630°** PAN range = 630° (or 1 ¾ rotations)
- Press the [ENTER] button to confirm.

[FEEDBACK]

This function corrects the PAN/TILT positions automatically if someone bumps into the machine.

- Press the ▲/▼/◀/▶ buttons until the desired function is showing on the display.
- Press the [ENTER] button: the values can be changed
- Use ▲/▼ buttons to toggle between ON and OFF.
- Press the [ENTER] button to confirm.

[STANDBY]

To save energy the projector goes in sleep mode after a certain time when no DMX is detected.

- Press the ▲/▼/◀/▶ buttons until the desired function is showing on the display.
- Press the [ENTER] button: the values can be changed
- Use ▲/▼ buttons to select one of these options:
 - **[OFF]** standby function not used
 - **[0xxM]** The time (from 001 to 099 minutes) before the standby function is activated.
- Press the [ENTER] button to confirm.

Remark: when during standby mode a DMX-signal is detected, the projector first performs a reset.

[SET CONFIG > FAN Set]

On some occasions fan noise should be reduced to a minimum. Therefore you can set three different fan speed modes.

- Press the ▲/▼/◀/▶ buttons until the desired function is showing on the display.
- Press the [ENTER] button: the values can be changed
- Use ▲/▼ buttons to select one of these options:
 - **[Auto]**: the fan speed will be automatically adjusted to always have the best balance between fan noise and performance (light output).
 - **[Low]**: the fan speed will always be low to reduce fan noise to a minimum. (use in theatres, conference rooms, ...). However this means that the LED temperature could become too high: in that case the LED current will be reduced automatically to protect the LED. Light output will also be lower.
 - **[High]**: the LED will be well cooled so maximum light output can be guaranteed under all conditions. However this means that fan noise will be higher than usual. While used in discotheques and in hot summertime conditions this should not be a problem.
- Press the [ENTER] button to confirm.

[SET CONFIG > DISPLAY Set]

This level contains all display related settings.

[Backlight]

Used to adjust how long the display stays lit after the last time it was used.

- Press the ▲/▼/◀/▶ buttons until the desired function is showing on the display.
- Press the [ENTER] button: the values can be changed
- Use ▲/▼ buttons to select one of these options:
 - **[ON]**: display is always lit.
 - **[0xxM]**: you can set the number of minutes before the display turns dark after it was last used.
- Press the [ENTER] button to confirm.

[Flip 180]

Used to turn the display over 180°: [ON] = display is upsidedown.

- Press the ▲/▼/◀/▶ buttons until the desired function is showing on the display.
- Press the [ENTER] button: the values can be changed
- Use ▲/▼ buttons to toggle between ON and OFF.
- Press the [ENTER] button to confirm.

[AUTO LOCK]

Used to lock the setup menu against unwanted altering of the settings.

- Press the ▲/▼/◀/▶ buttons until the desired function is showing on the display.
- Press the [ENTER] button: the values can be changed
- Use ▲/▼ buttons to toggle between ON and OFF.
- Press the [ENTER] button to confirm.

Remark: while the display is locked you have to press the [MENU]-button for 3s to enter the setup menu.

[noDMX blink]

Used to select of the display should blink or not when the DMX/Art-Net signal was lost.

- Press the ▲/▼/◀/▶ buttons until the desired function is showing on the display.
- Press the [ENTER] button: the values can be changed
- Use ▲/▼ buttons to toggle between ON and OFF.
- Press the [ENTER] button to confirm.

[Temp C/F]

Used to select if the LED-temperature is shown in degrees Celcius [°C] or Fahrenheit [°F].

- Press the ▲/▼/◀/▶ buttons until the desired function is showing on the display.
- Press the [ENTER] button: the values can be changed
- Use ▲/▼ buttons to select one of these options:
 - [Celcius]: LED-temperature is shown in degrees Celcius [°C].
 - [Fahrenheit]: LED-temperature is shown in degrees Fahrenheit [°F].
- Press the [ENTER] button to confirm.

[SET CONFIG > DEFAULTS]

This is your emergency exit if you really messed up the settings: just return to FACTORY preset.

Also a user setting can be saved/loaded.

- Press the ▲/▼/◀/▶ buttons until the desired function is showing on the display.
- Press the [ENTER] button: the values can be changed
- Use ◀/▶ buttons to select one of these options:
 - [FACTORY]: optimized standard settings for professional control of the unit.
 - [USER Def.]: you can adapt the factory settings and save the new parameters as your personal USER-settings.
- Press the [ENTER] button:
 - [FACTORY] was selected: the display shows "LOAD"
 - Press the [ENTER] button and use ▲/▼ buttons to confirm YES / NO
 - Press the [ENTER] button to confirm.
 - [USER Def.] was selected: the display shows "LOAD"
 - Use ◀/▶ buttons to select LOAD / SAVE
 - Press the [ENTER] button and use ▲/▼ buttons to confirm YES / NO
 - Press the [ENTER] button to confirm.
 - [SAVE] was selected: the current settings of the setup menu are saved to memory.
 - [LOAD] was selected: the previously saved settings are loaded.

PARAMETER name	PRO defaults	USER defaults
[CHAN mode]	14 ch	Current setting in the menu
[NO DMX mode]	Freeze	Current setting in the menu
[LED behaviour]	Halogen	Current setting in the menu
[White Bal.]	NO factory default	Current white balance is saved
[DIM Curve]	Square	Current setting in the menu
[PAN invert]	OFF	Current setting in the menu
[TILT invert]	OFF	Current setting in the menu

[PAN Range]	540	Current setting in the menu
[FEEDBACK]	ON	Current setting in the menu
[STANDBY]	15 M	Current setting in the menu
[HEAD Fan]	AUTO	Current setting in the menu
[Backlight]	2 min.	Current setting in the menu
[AUTO LOCK] Menu	OFF	Current setting in the menu
[no DMX blink] display	ON	Current setting in the menu
[Temp C/F]	Celcius	Current setting in the menu

[SET CONFIG > TIMERS]

Shows the time the projector was used.

- Press the ▲/▼/◀/▶ buttons until the desired function is showing on the display.
- Press the [ENTER] button: the values can be changed
- Use ◀/▶ buttons to select one of these options:
 - **[Total Time]:** The total time the unit was used since it was used for the 1st time, non resettable.
 - **[Last JOB]:** The time the unit was used on the last job. This timer can be reset in the (hidden) calibration menu.
- Press the [ENTER] button to confirm.

[INFORMATION > LED Temp.]

Shows the actual temperature of the LED.

- Press the ▲/▼/◀/▶ buttons until the desired function is showing on the display.
- Press the [ENTER] button: the LED temperature is shown.

[INFORMATION > ERROR info]

Shows information about eventual errors.

- Press the ▲/▼/◀/▶ buttons until the desired function is showing on the display.
- Press the [ENTER] button:
 - **No errors:** display shows [NONE]
 - **Errors to report:** the error will be shown on the display so you can take action.

[INFORMATION > DMX values]

Shows the function and DMX-value for the last used DMX channel: used for problem solving

- Press the ▲/▼/◀/▶ buttons until the desired function is showing on the display.
- Press the [ENTER] button: the display shows the function and DMX-value of the last used channel.
- Use a DMX-controller to control the projector: every time a value on one of the DMX-channels was changed, the information will be shown on the display.

[INFORMATION > Model Name]

Shows the name of the projector.

- Press the ▲/▼/◀/▶ buttons until the desired function is showing on the display.
- Press the [ENTER] button: the display shows [BEAM FURY-1].

[INFORMATION > Firmware V.]

Shows the current firmware version in the projector.

- Press the ▲/▼/◀/▶ buttons until the desired function is showing on the display.
- Press the [ENTER] button: the display shows the firmware versions of the different processors in the projector: 1U01, 2U01, 3U01, ...

Note: The firmware of this unit can be upgraded using a special upgrade tool with Windows® software. (separately available from Briteq). More information about this can be found in the user manual of the upgrade tool and / or our website: www.briteq-lighting.com

[TEST/RESET > AUTO TEST]

Used to start the automatic test function: all functions will be tested.

- **Important: use the projector in STANDALONE (NO DMX or Ethernet connection)**
- Press the ▲/▼/◀/▶ buttons until the desired function is showing on the display.
- Press the [ENTER] button: the projector starts an automatic AUTOTEST program until you stop it.
- Press the [MENU] button to stop the program.

[TEST/RESET > RESET Menu]

Used to reset certain functions of the projector.

- Press the ▲/▼/◀/▶ buttons until the desired function is showing on the display.
- Press the [ENTER] button: the display shows [PAN/TILT] (the only option, no other functions to reset)
- Press the [ENTER] button again to start resetting.

CALIBRATION MENU

This is a hidden menu where you can fine-tune the offset of several functions. To access this menu do as follows: press the [ENTER] button for about 3seconds while you are in the SETUP menu (any option, not important). Now the calibration menu shows up:

[Reset JOB]

Used to reset the [Last JOB] timer.

- Press the ◀/▶ buttons until the desired function is showing on the display.
- Press the [ENTER] button: the values can be changed
- Use ▲/▼ buttons to toggle between NO and YES.
- Press the [ENTER] button to confirm.

Reset JOB	NO / YES
SET WHITE BAL	RED
	GREEN
	BLUE
	WHITE
Set PAN	-127 → +128
Set TILT	-127 → +128

[SET WHITE B] (set white balance)

Used to adjust the white balance or to perfectly match the colors of several projectors.

- Press the ◀/▶ buttons until the desired function is showing on the display.
- Press the [ENTER] button to confirm: the display shows the 4 colors with their current value:

[R] [G] [B] [W]
xxx xxx xxx xxx

Remark: (xxx is the current value of the selected color: [R](red), [G](green), [B](blue), [W](white))

- Press the ◀/▶ buttons to select the desired color.
- Use the ▲/▼ buttons to change the values of the selected color (from 050 to 255).
- Press the [ENTER] button to confirm.

Important notes:

- The setting of this option affects all color settings, static colors and DMX-controlled colors.
- It is highly recommended to save the new white balance settings to [USER Def.] (USER default settings memory) to preserve the settings.

[Set PAN]

Used to adjust the home position of the PAN movement.

- Press the ◀/▶ buttons until the desired function is showing on the display.
- Press the [ENTER] button: the values can be changed
- Use ▲/▼ buttons to adjust the home position of the PAN movement: -127 to +128
- Press the [ENTER] button to confirm.

[Set TILT]

Used to adjust the home position of the TILT movement.

- Press the ◀/▶ buttons until the desired function is showing on the display.
- Press the [ENTER] button: the values can be changed
- Use ▲/▼ buttons to adjust the home position of the TILT movement: -127 to +128
- Press the [ENTER] button to confirm.

ELECTRICAL INSTALLATION

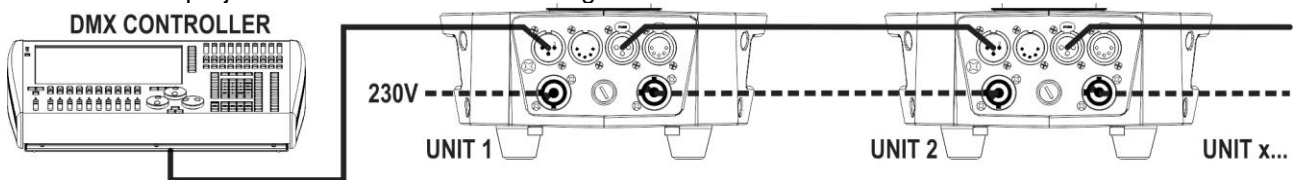


Important: The electrical installation should be carried out by qualified personal only, according to the regulations for electrical and mechanical safety in your country.

ELECTRICAL INSTALLATION FOR TWO OR MORE UNITS IN DMX-MODE:

Use this function when you want to control the projectors by any DMX controller.

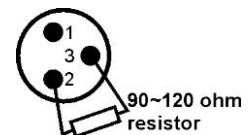
- Connect the projectors as shown in the drawing below.



- First put the projectors in the desired DMX-mode: see the different DMX-charts and choose the one that suits you best.
- Give all projectors a start address: each projector shows its start + end address, make sure that the addresses do not overlap!

Some general information on DMX:

- The DMX-protocol is a widely used high speed signal to control intelligent light equipment. You need to “daisy chain” your DMX controller and all the connected units with a balanced cable of good quality.
- Both XLR-3pin and XLR-5pin connectors are used, however XLR-3pin is more popular because these cables are compatible with balanced audio cables.
- Pin layout XLR-3pin: Pin1 = GND ~ Pin2 = Negative signal (-) ~ Pin3 = Positive signal (+)
- Pin layout XLR-5pin: Pin1 = GND ~ Pin2 = Negative signal (-) ~ Pin3 = Positive signal (+) ~ Pins4+5 not used.
- To prevent strange behavior of the light effects, due to interferences, you must use a 90Ω to 120Ω terminator at the end of the chain. Never use Y-splitter cables, this simply won't work!
- Make sure that all units are connected to the mains.
- Each light effect in the chain needs to have its proper starting address so it knows which commands from the controller it has to decode.



RDM FUNCTIONS / REMOTE SETUP

RDM means “Remote Device Management”. This projector works with a brief set of RDM-functions which means that it can setup a bi-directional communication with an RDM-compatible DMX-controller. Some of these functions are briefly explained below, others will be added in the future.

- The DMX-controller sends out a “discovery command”, all RDM devices respond and send their unique device ID.
- The DMX-controller asks each RDM device for some basic data so it knows which devices are connected. The projector will respond:
 - **Device name:** BEAM FURY-1
 - **Manufacturer:** Briteq®
 - **Category:** LED Dimmer
 - **Firmware:** x.x.x.x (firmware version of the projector)
 - **DMX address:** xxx (current DMX start address of the projector)
 - **DMX footprint:** xx (number of DMX-channels used by the projector)
 - **Personality:** xx (current personality [or DMX-working mode] used by the projectors)
- The DMX-controller can send certain commands to each RDM device which allow remote setup of the units. Thanks to this the projector can be setup remotely.

The following functions can be managed remotely:

No more need to take a ladder and set all units one by one!

- **DMX START ADDRESS:** The start address can be set remotely from 001 to xxx.
- **PERSONALITY:** The DMX working mode (DMX-chart) can be set remotely.

These 2 functions make it possible to prepare a complete DMX-patch of all projectors on the DMX-controller and send these data to all projectors at once. More functions will be added later.

DMX CHARTS

2 Different DMX channels modes are available:

12CH	14CH	VALUE	FUNCTION
1	1	000-255	<u>PAN Movement 8bit</u> Pan Movement By 630/540
	2	000-255	<u>PAN Fine 16bit</u> Fine control of Pan movement
2	3	000-255	<u>TILT Movement 8bit</u> Tilt Movement
	4	000-255	<u>Tilt Fine 16bit</u> Fine control of Tilt movement
3	5	000-225 226-235 236-245 246-255	<u>Speed pan/tilt movement</u> max to min speed blackout by movement All Motor Reset (after 3s) no function
4	6	000-127 128-189 190-193 194-255	<u>PAN Continuous rotation</u> no function Pan clockwise from fast to slow No rotation Pan counter-clockwise from fast to slow
5	7	000-127 128-189 190-193 194-255	<u>TILT Continuous rotation</u> no function Tilt clockwise from fast to slow No rotation Tilt counter-clockwise from fast to slow
6	8	000-255	<u>Red:</u> 0~100%
7	9	000-255	<u>Green:</u> 0~100%
8	10	000-255	<u>Blue:</u> 0~100%
9	11	000-255	<u>White:</u> 0~100%
10	12	000-031 032-063 064-095 096-127 128-159 160-191 192-223 224-255	<u>Shutter, strobe</u> Led's Off Led's On Strobe effect slow to fast Led's On Pulse-effect in sequences Led's On Random strobe effect slow to fast Led's On
11	13	000-255	<u>Dimmer (intensity)</u> Intensity 0 to 100%
12	14	000-007 008-039 040-071 072-103 104-135 136-167 168-199 200-231 232-255	<u>Color Macros</u> Normal from RED to YELLOW from YELLOW to GREEN from GREEN to CYAN from CYAN to BLUE from BLUE to MAGENTA from MAGENTA to RED from RED to WHITE Crossfading colors from slow to fast

MAINTENANCE

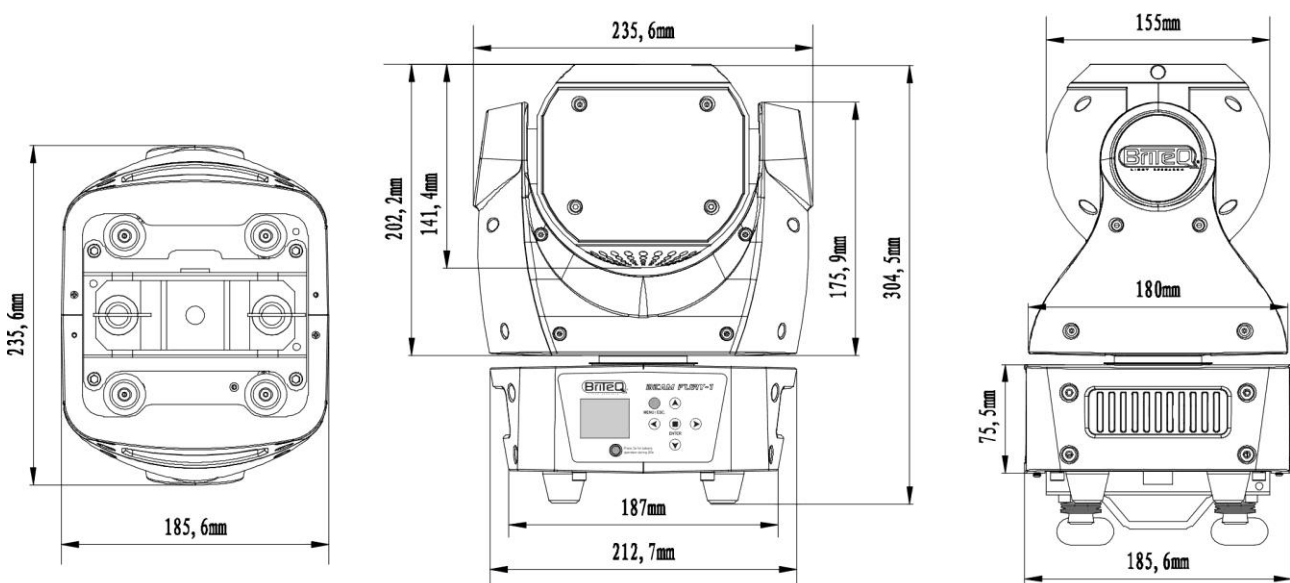
- Make sure the area below the installation place is free from unwanted persons during servicing.
 - Switch off the unit, unplug the mains cable and wait until the unit has been cooled down.
- During inspection the following points should be checked:**
- All screws used for installing the device and any of its parts should be tightly fastened and may not be corroded.
 - Housings, fixations and installations spots (ceiling, truss, suspensions) should be totally free from any deformation.
 - When an optical lens is visibly damaged due to cracks or deep scratches, it must be replaced.
 - The mains cables must be in impeccable condition and should be replaced immediately when even a small problem is detected.
 - In order to protect the device from overheat the cooling fans (if any) and ventilation openings should be cleaned monthly.
 - The interior of the device should be cleaned annually using a vacuum cleaner or air-jet.
 - The cleaning of internal and external optical lenses and/or mirrors must be carried out periodically to optimize light output. Cleaning frequency depends on the environment in which the fixture operates: damp, smoky or particularly dirty surroundings can cause greater accumulation of dirt on the unit's optics.
 - Clean with a soft cloth using normal glass cleaning products.
 - Always dry the parts carefully.

Attention: We strongly recommend internal cleaning to be carried out by qualified personnel!

SPECIFICATIONS

This unit is radio-interference suppressed. This product meets the requirements of the current European and national guidelines. Conformity has been established and the relevant statements and documents have been deposited by the manufacturer.

Mains Input:	AC 100V - 240V, 50/60Hz
Power consumption:	80W (100 Watt peak)
Fuse:	250V T2A (20mm glass)
DMX connections:	3pin + 5pin XLR male / female
DMX channels used:	2 modes (12ch + 14ch)
Lamp:	1x RGBW 60W
LED Refresh rate:	1200 Hz
Beam Angle:	4.5°
Size:	see drawings at the end of this user manual.
Weight:	6 kg



The information might be modified without prior notice

You can download the latest version of this user manual on our website: www.briteq-lighting.com



MAILING LIST

EN: Subscribe today to our mailing list for the latest product news!

FR: Inscrivez-vous à notre liste de distribution si vous souhaitez suivre l'actualité de nos produits!

NL: Abonneer je vandaag nog op onze mailinglijst en ontvang ons laatste product nieuws!

DE: Abonnieren Sie unseren Newsletter und erhalten Sie aktuelle Produktinformationen!

ES: Suscribete hoy a nuestra lista de correo para recibir las últimas noticias!

WWW.BRITEQ-LIGHTING.COM

Copyright © 2016 by BEGLEC NV

't Hofveld 2C ~ B1702 Groot-Bijgaarden ~ Belgium

Reproduction or publication of the content in any manner, without express permission of the publisher, is prohibited.