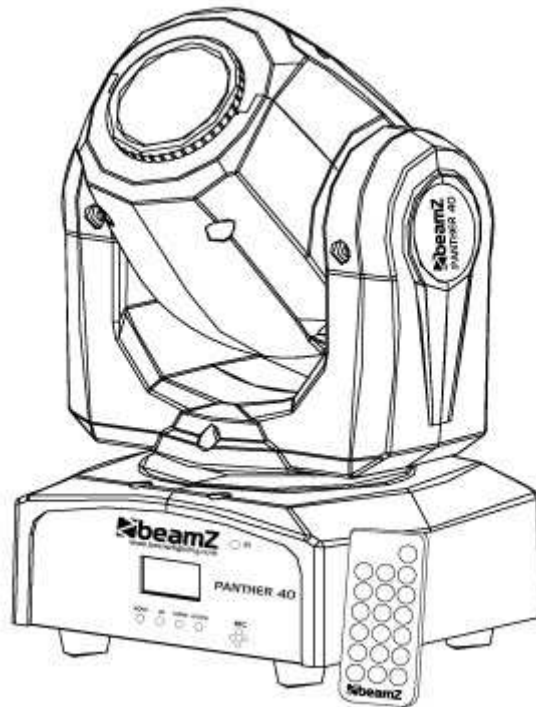


## **Panther 40 Led Spot**

Ref. nr.: 150.461



INSTRUCTION MANUAL  
GEBRUIKSAANWIJZING  
GEBRAUCHSANLEITUNG  
MANUAL DE INSTRUCCIONES  
MANUEL D'INSTRUCTIONS  
INSTRUKCJA OBSŁUGI



## ENGLISH

Congratulations to the purchase of this Beamz light effect. Please read this manual thoroughly prior to using the unit in order to benefit fully from all features.

Read the manual prior to using the unit. Follow the instructions in order not to invalidate the warranty. Take all precautions to avoid fire and/or electrical shock. Repairs must only be carried out by a qualified technician in order to avoid electrical shock. Keep the manual for future reference.

- Prior to using the unit, please ask advice from a specialist. When the unit is switched on for the first time, some smell may occur. This is normal and will disappear after a while.
- The unit contains voltage carrying parts. Therefore do NOT open the housing.
- Do not place metal objects or pour liquids into the unit. This may cause electrical shock and malfunction.
- Do not place the unit near heat sources such as radiators, etc. Do not place the unit on a vibrating surface. Do not cover the ventilation holes.
- The unit is not suitable for continuous use.
- Be careful with the mains lead and do not damage it. A faulty or damaged mains lead can cause electrical shock and malfunction.
- When unplugging the unit from a mains outlet, always pull the plug, never the lead.
- Do not plug or unplug the unit with wet hands.
- If the plug and/or the mains lead are damaged, they need to be replaced by a qualified technician.
- If the unit is damaged to such an extent that internal parts are visible, do NOT plug the unit into a mains outlet and DO NOT switch the unit on. Contact your dealer. Do NOT connect the unit to a rheostat or dimmer.
- To avoid fire and shock hazard, do not expose the unit to rain and moisture.
- All repairs should be carried out by a qualified technician only.
- Connect the unit to an earthed mains outlet (220-240Vac/50Hz) protected by a 10-16A fuse.
- During a thunderstorm or if the unit will not be used for a longer period of time, unplug it from the mains. The rule is: Unplug it from the mains when not in use.
- If the unit has not been used for a longer period of time, condensation may occur. Let the unit reach room temperature before you switch it on. Never use the unit in humid rooms or outdoors.
- During operation, the housing becomes very hot. Do not touch it during operation and immediately after.
- To prevent accidents in companies, you must follow the applicable guide lines and follow the instructions.
- Secure the unit with an extra safety chain if the unit is ceiling mount. Use a truss system with clamps. Make sure nobody stands in the mounting area. Mount the effect at least 50cm away from inflammable material and leave at least 1 meter space on every side to ensure sufficient cooling.
- This unit contains high intensity LEDs. Do not look into the LED light to prevent damage to your eyes.
- Do not repeatedly switch the fixture on and off. This shortens the life time.
- Keep the unit out of the reach of children. Do not leave the unit unattended.
- Do not use cleaning sprays to clean switches. The residues of these sprays cause deposits of dust and grease. In case of malfunction, always seek advice from a specialist.
- Only operate the unit with clean hands.
- Do not force the controls.
- If the unit has fallen, always have it checked by a qualified technician before you switch the unit on again.
- Do not use chemicals to clean the unit. They damage the varnish. Only clean the unit with a dry cloth.
- Keep away from electronic equipment that may cause interference.
- Only use original spares for repairs, otherwise serious damage and/or dangerous radiation may occur.
- Switch the unit off prior to unplugging it from the mains and/or other equipment. Unplug all leads and cables prior to moving the unit.
- Make sure that the mains lead cannot be damaged when people walk on it. Check the mains lead before every use for damages and faults!
- The mains voltage is 220-240Vac/50Hz. Check if power outlet match. If you travel, make sure that the mains voltage of the country is suitable for this unit.
- Keep the original packing material so that you can transport the unit in safe conditions



This mark attracts the attention of the user to high voltages that are present inside the housing and that are of sufficient magnitude to cause a shock hazard.



This mark attracts the attention of the user to important instructions that are contained in the manual and that he should read and adhere to.



DO NOT LOOK DIRECTLY INTO THE LENS. This can damage your eyes. Persons who are subject to epileptic attacks should be aware of the effects that this light effect may have on them.

The unit has been certified CE. It is prohibited to make any changes to the unit. They would invalidate the CE certificate and their guarantee!

**NOTE:** To make sure that the unit will function normally, it must be used in rooms with a temperature between 5°C/41°F and 35°C/95°F.



Electric products must not be put into household waste. Please bring them to a recycling centre. Ask your local authorities or your dealer about the way to proceed. The specifications are typical. The actual values can slightly change from one unit to the other. Specifications can be changed without prior notice.

## UNPACKING INSTRUCTION

**CAUTION!** Immediately upon receiving a fixture, carefully unpack the carton, check the contents to ensure that all parts are present, and have been received in good condition. Notify the shipper immediately and retain packing material for inspection if any parts appear damaged from shipping or the package itself shows signs of mishandling. Save the package and all packing materials. In the event that a fixture must be returned to the factory, it is important that the fixture be returned in the original factory box and packing.

If the device has been exposed to drastic temperature fluctuation (e.g. after transportation), do not switch it on immediately. The arising condensation water might damage your device. Leave the device switched off until it has reached room temperature.

## POWERSUPPLY

On the label on the backside of the controller is indicated on this type of power supply must be connected. Check that the mains voltage corresponds to this, all other voltages than specified, the light effect can be irreparably damaged. The controller must also be directly connected to the mains and may be used. No dimmer or adjustable power supply.

## INSTALLATION



**CAUTION:** Please consider the respective national norms during the installation! The installation must only be carried out by an authorized employee or dealers!

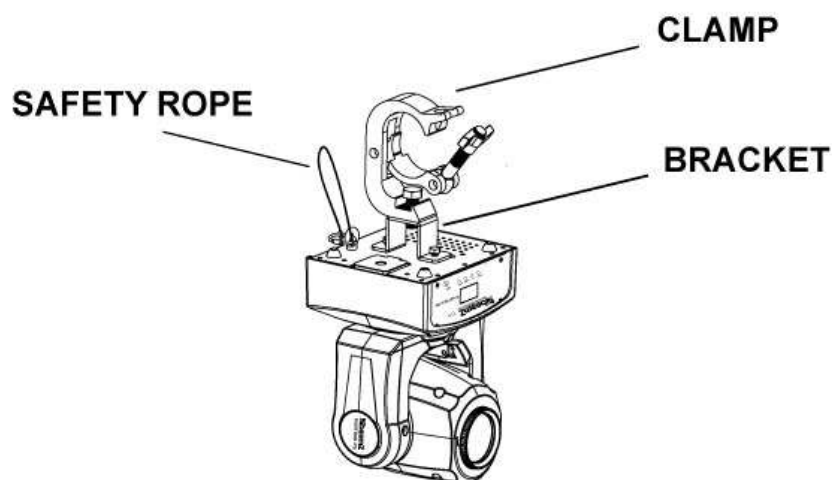


### Attention:

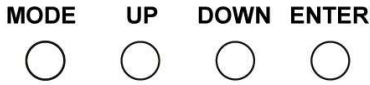
- The installation of the fixture has to be built and constructed in a way that it can hold 10 times the weight for 1 hour without any harming deformation.
- The installation must always be secured with a secondary safety attachment, e.g. an appropriate catch net. This secondary safety attachment must be constructed in a way that no part of the installation can fall down if the main attachment fails.
- Make sure the area below the installation place is free from unwanted persons during rigging, de-rigging and servicing.
- The operator has to make sure that safety-relating and machine-technical installations are approved by an expert before taking into operation for the first time and after changes before taking into operation another time.
- The operator has to make sure that safety-relating and machine-technical installations are approved by a skilled person once a year.
- The fixture should be installed in the position where persons cannot reach and where persons may walk by or be seated.



**CAUTION:** When installing the device, make sure there is no highly inflammable material (decoration articles, etc.) in between a distance of min 0.5 meter.



# DISPLAY



The control board offer several features: you can simple set the starting address, run the pre-programmed program or make a reset. The main menu is accessed by pressing the **Mode/Esc**-button, browse through the submenu by pressing **Up** or **Down**.

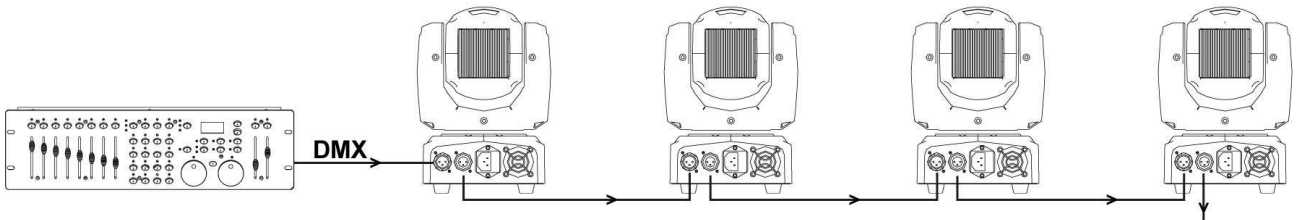
Press the **Enter**-button in order to select the desired menu.

You can change the selection by pressing **Up** or **Down**. Confirm every selection by pressing the **Enter**-button.

You can leave every mode by pressing the **Mode/Esc**-button. The functions provided are described in the following schedule.

# DMX-512 CONNECTION

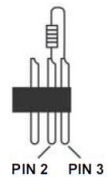
If you are using a standard DMX controller, you can connect the DMX output of the controller directly to the DMX input of the first unit in a DMX chain. Always connect the output of one unit with the input of the next unit until all units are connected.



## 5-pin XLR DMX Connectors.

Some manufactures use 5-pin DMX-512 data cables for DATA transmission in place of 3-pin. 5-pin DMX fixtures may be implemented in a 3-pin DMX line. When inserting standard 5-pin data cables in to a 3-pin line a cable adaptor must be used. The chart below details a proper cable conversion.

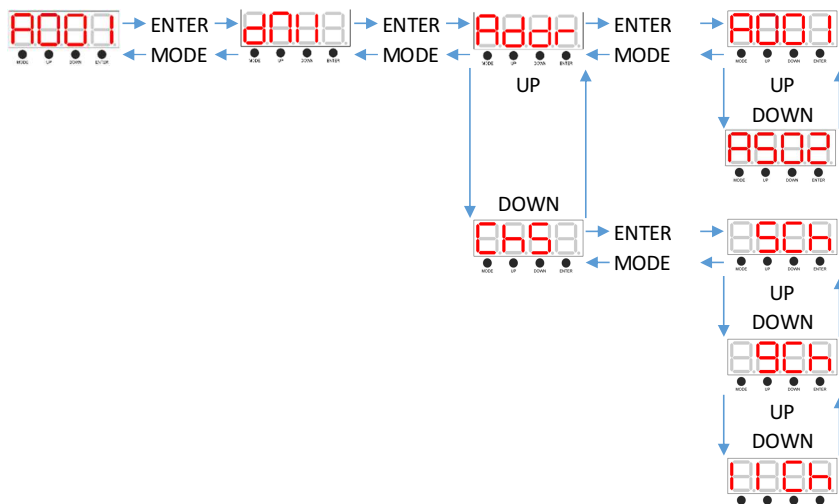
3-Pin XLR to 5-Pin XLR Conversion		
Conductor	3-Pin XLR Female (Out)	5-Pin XLR Male (In)
Ground/Shield	Pin 1	Pin 1
Data Compliment (- signal)	Pin 2	Pin 2
Data True (+ signal)	Pin 3	Pin 3
Not Used		Pin 4 – Do Not Use
Not Used		Pin 5 – Do Not Use



At the last fixture, the DMX cable has to be terminated. Solder a 120 Ohm resistor between signal (-) and signal (+) into a 3-pin XLR connector and plug this into the DMX output of the last fixture in the chain.

## Selecting the DMX starting address and DMX mode.

Press the ENTER button until “DMX”, “SET” appears on the display. Now use the Up and Down buttons to select the “DMX” menu item and confirm by pressing ENTER. “ADDR” now appears on the display and by pressing ENTER once more, you can select the DMX start address as desired using the UP and Down buttons (A001 – A502). After confirming with ENTER, “SAVE” is briefly displayed on the display. To set the DMX operating mode, select the menu item “DMX”, press ENTER and then use the UP and DOWN buttons to select the menu item “CHS”. Press ENTER and use the UP and DOWN buttons to select the desired DMX mode (5Ch, 9Ch, 11Ch). After confirming with ENTER, “SAVE” is briefly displayed on the display. The synchronous control of multiple spotlights (same model) through a DMX control unit (e.g. DMX console) can be achieved by assigning the spotlights to an identical DMX start address and DMX mode and connecting them using DMX cables.



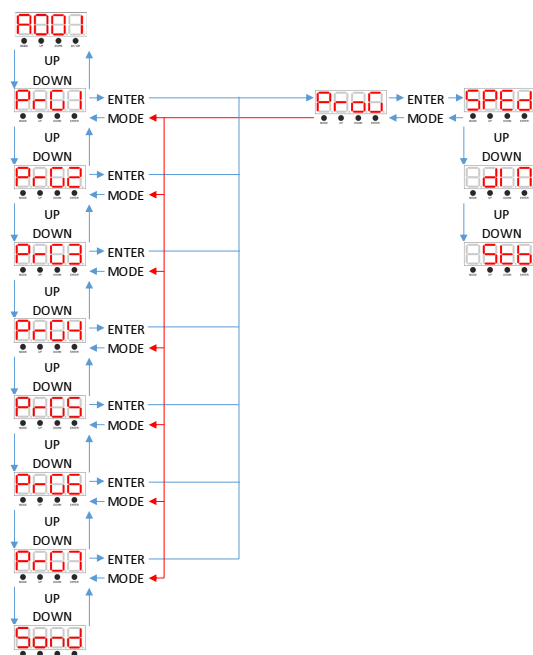
## AUTO PROGRAMS

Show Mode: This mode allows either a single unit or several units linked together, to run one of seven shows that you choose.

1. Press the up or Down button until one of seven programs is displayed, and press ENTER. The picture below details a proper MENU structure conversion.
2. You have chosen one of seven programs and you press ENTER, you can the SPEED, DIM, STROBE change.

### SOUND MODE

Press the "up" or "down" button to select "Sound".



## MAIN FUCTIONS

### Display Inversion

Press the MODE button you see on display "SET" press "ENTER" use the "UP" or "Down" button until "RDIS" is displayed, press "ENTER" Either "OFF" or "ON" will be displayed.

**OFF:** Display normal mode is for floor standing the unit.

**ON:** Display inversion mode is for hanging the unit upside down.

### Pan Inversion

Press the MODE button you see on display "SET" press "ENTER" use the "UP" or "Down" button until "MSET" is displayed, press "ENTER" Either "BLTO" or "NCAL" will be displayed. Select "NCAL" press "ENTER" use the "UP" or "Down" button until "PAN" is displayed, Press "ENTER" select "REV" press "ENTER" you can select "NO"(Normal) or "Yes"(Pan inversion).

### Tilt Inversion

Press the MODE button you see on display "SET" press "ENTER" use the "UP" or "Down" button until "MSET" is displayed, press "ENTER" Either "BLTO" or "NCAL" will be displayed. Select "NCAL" press "ENTER" use the "UP" or "Down" button until "TILT" is displayed, Press "ENTER" select "REV" press "ENTER" you can select "NO"(Normal) or "Yes"(Tilt inversion).

### Led display after 20 sec off

Press the MODE button you see on display "SET" press "ENTER" use the "UP" or "Down" button until "CLDI" is displayed, press "ENTER" Either "ON"(After 20 sec led display off) or "OFF"(Led display on) will be displayed.

### Reset

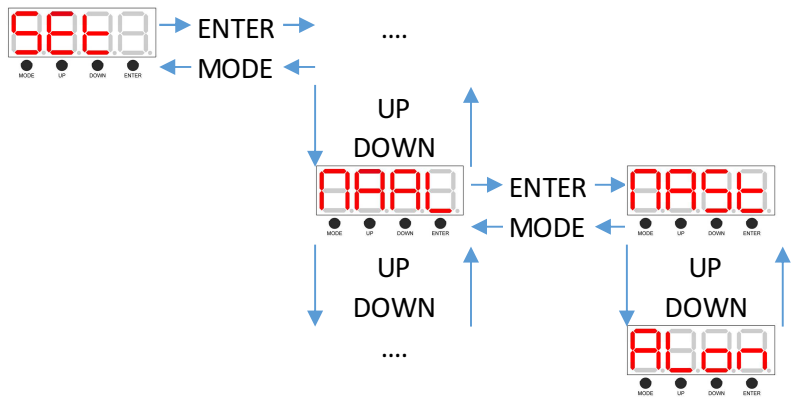
Press the MODE button you see on display "SET" press "ENTER" use the "UP" or "Down" button until "RST" is displayed, press "ENTER" Either "OFF" or "ON" will be displayed.

### Sound MODE

Press the MODE button you see on display "SET" press "ENTER" use the "UP" or "Down" button until "MIC" is displayed, press "ENTER" and select the sound sensitivity between value 0 and 100. Press the "ENTER" button for confirmation after value selection.

# MASTER SLAVE FIXTURE

1. Connect the (male) 3 pin connector side of the DMX cable to the output (female) 3pin connector of the first fixture.



2. Connect the end of the cable coming from the first fixture which will have a (female) 3 pin connector to the input connector of the next fixture consisting of a (male) 3 pin connector. Then, proceed to connect from the output as stated above to the input of the following fixture and so on.

3. Press the MODE button you see on display "SET" press "ENTER" use the "UP" or "Down" button until "MAAL" is displayed, press "ENTER" Either "MAST" or "ALON" will be displayed.

4. Press the UP or DOWN buttons until your desired setting is displayed, press ENTER to confirm.

**NOTE:** In a Master/Slave configuration you can set one fixture to Master and then set the next fixture to "ALON", the fixtures will move synchronously.

# REMOTE CONTROL

With the IR remote, you can operate the moving head easy and you have many functions.

To control the fixture you must aim the remote at the front of the fixture and be no more than 30 feet away.

### STAND BY

To activate remote controller you have to switch the device in standby with the "STANDBY" key on the remote, the display now shows STOP.



### FULL ON

You can then turn on the unit by pressing the "FULL ON" key, now the LED will light up. The display now show UHI.



The operation with the remote continued as follows:

### GOBO Set:

Press "GOBO" and then press one of the number keys, select the correct gobo.

### Color Setting:

Press "COLOR" and then press one of the number keys, select the color.

### Strobe Setting:

Press "STROBE" and then press on of the number keys, select Speed.

With the keys "DIMMER +" and "DIMMER -" you can adjust the light intensity.

### Setting the program:

Press the "SHOW" button followed by a number buttons for wanted program.

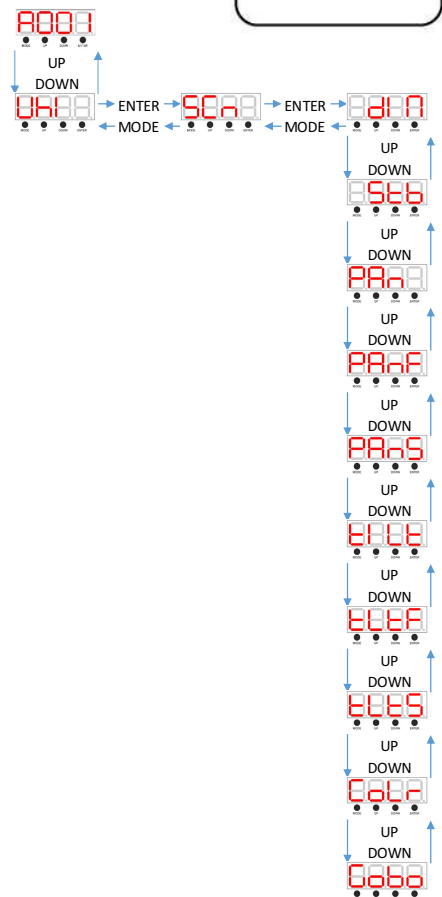
You can now press the "SOUND NO" key to make the device sound activated.

By "SOUND OFF" button the device switches back to auto mode.

### UHI setting

Press the "UP" or "Down" button you see on display "UHI" press "ENTER" use the "UP" or "Down" button until "SCN" is displayed, press "ENTER". You can the Dim, Stb (Strobe), Pan, Panf (Pan fine), Pans (Pan speed), Tilt, Tilf (Tilt fine), Tits (Tilt speed), Colr (Color) or Gobo change.

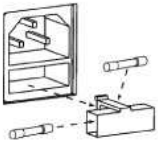
If you pan or tilt fixture change, the fixture always goes to this position. By default state fixture on 128 (home position). Use the "UP" or "Down" button to adjust.



## REPLACING THE FUSE

If the fuse is defective, replace the fuse with a fuse of the same type and value. Before replacing the fuse, unplug mains lead.

Procedure:



- Step 1: Open the fuse holder on the rear panel with a fitting screwdriver.
- Step 2: Remove the old fuse from the fuse holder.
- Step 3: Install the new fuse in the fuse holder.
- Step 4: Replace the fuse holder in the housing.

## FIXTURE CLEANING

The cleaning of internal and external optical lenses and/or mirrors must be carried out periodically to optimize light output. Cleaning frequency depends on the environment in which the fixture operates: damp, smoky or particularly dirty surrounding can cause greater accumulation of dirt on the unit's optics.

- Make sure the area below the installation place is free from unwanted persons during servicing
- Housings, fixations and installations spots( ceiling, truss, suspensions) should be totally free from any deformation
- The mains cables must be in impeccable condition and should be replaced immediately when even a small problem is detected
- In order to protect the fixture from overheat the cooling fans (if any) and ventilation openings should be cleaned monthly.
- The interior of the fixture should be cleaned annually using a vacuum cleaner or air-jet.
- Clean with soft cloth using normal glass cleaning fluid.
- Always dry the parts carefully.
- Clean the external optics at least every month. Clean the internal optics at least every 30/60 days.

**ATTENTION: We strongly recommend internal cleaning to be carried out by qualified worker!**

## TROUBLESHOOTING

This section describes a few common problems that may occur during operation and provides some suggestions for easy troubleshooting:

Symptom	Potential cause	Remedies
No light from fixture, or fans not working.	Power supply issue, such as blown fuse, faulty connector or damaged cable.	Check whether fixture's power indicator LED is lit. Check all power connections and cables. Replace fixture fuse.
Fixture does not react to music beat	Sound activation disabled. Sound activation sensitivity too low for music source.	Ensure that fixture is not connected to a DMX signal. Adjust sound activation microphone sensitivity. Tap microphone to check correct functionality. The fixture should react when in sound activation mode.
One of the control channels is unresponsive or only responds intermittently.	DMX setup or DMX link fault. Damaged step motor or cable connection between head and body.	See next section. Contact your Beamz by Tronios authorized distributor or service center for assistance.
Fixture does not respond to DMX control.	Incorrect DMX addressing. Fault on DMX link due to damaged connector or cable, or potential interference from proximity to a high voltage installation.	Ensure that fixture's DMX address matches address set on DMX control device. Check that fixture DMX check all DMX cables and connections. Ensure that DMX link is terminated. Check that all components on DMX link use standard DMX polarity. Attempt to control the fixture with another DMX control device. Move or shield link if it is close to an unshielded high-voltage installation.



Hartelijk dank voor de aanschaf van dit Beamz lichteffect. Neemt U a.u.b. een paar momenten de tijd om deze handleiding zorgvuldig te lezen, aangezien wij graag willen dat u onze producten snel en volledig gebruikt.

Lees deze handleiding eerst door alvorens het product te gebruiken. Volg de instructies op anders zou de garantie wel eens kunnen vervallen. Neem ook altijd alle veiligheidsmaatregelen om brand en/of een elektrische schok te voorkomen. Tevens is het ook raadzaam om reparaties / modificaties e.d. over te laten aan gekwalificeerd personeel om een elektrische schok te voorkomen. Bewaar deze handleiding ook voor toekomstig gebruik.

- Bewaar de verpakking zodat u indien het apparaat defect is, dit in de originele verpakking kunt opsturen om beschadigingen te voorkomen.
- Voordat het apparaat in werking wordt gesteld, altijd eerst een deskundige raadplegen. Bij het voor de eerste keer inschakelen kan een bepaalde reuk optreden. Dit is normaal en verdwijnt na een poos.
- In het apparaat bevinden zich onder spanning staande onderdelen; open daarom NOOIT dit apparaat.
- Plaats geen metalen objecten en mors geen vloeistof in het effect. Dit kan leiden tot elektrische schokken of defecten.
- Toestel niet opstellen in de buurt van warmtebronnen zoals radiatoren etc. en niet op een vibrerende onder- grond plaatsen. Dek ventilatieopeningen nooit af.
- Het apparaat is niet geschikt voor continu gebruik.
- Wees voorzichtig met het netsnoer en beschadig deze niet. Als het snoer kapot of beschadigd is, kan dit leiden tot elektrische schokken of defecten.
- Als u de stekker uit het stopcontact neemt, trek dan niet aan het snoer, maar aan de stekker.
- Om brand of elektrische schok te voorkomen, dient u dit apparaat niet bloot te stellen aan regen of vocht.
- Verwijder of plaats een stekker nooit met natte handen resp. uit en in het stopcontact.
- Indien zowel de stekker en/of netsnoer als snoeringang in het apparaat beschadigd zijn dient dit door een vakman hersteld te worden.
- Indien het apparaat zo beschadigd is dat inwendige (onder)delen zichtbaar zijn mag de stekker NOOIT in het stopcontact worden geplaatst en het apparaat NOOIT worden ingeschakeld. Neem in dit geval contact op met de dealer.
- Sluit het apparaat nooit op een dimmer aan.
- Reparatie aan het apparaat dient te geschieden door een vakman of een deskundige.
- Sluit het apparaat alleen aan op een 220-240VAC / 50Hz (geaard) stopcontact, verbonden met een 10-16A meterkastgroep.
- Bij onweer altijd de stekker uit het stopcontact halen, zo ook wanneer het apparaat voor een langere tijd niet gebruikt wordt. Stelregel: Bij geen gebruik stekker verwijderen.
- Als u het apparaat lang niet gebruikt heeft en het weer wil gebruiken kan er condens ontstaan; laat het apparaat eerst op kamertemperatuur komen alvorens het weer in werking te stellen.
- Apparaat nooit in vochtige ruimten en buiten gebruiken.
- De behuizing wordt zeer warm, raak deze dan ook niet aan bij gebruik en direct na gebruik..
- Om ongevallen in bedrijven te voorkomen moet rekening worden gehouden met de daarvoor geldende richtlijnen en moeten de aanwijzingen/waarschuwingen worden gevolgd.
- Zorg voor een extra veiligheidsketting als het apparaat op hoogte wordt gehangen. Gebruik een truss-systeem met montagehaak. Ga nooit onder het apparaat staan bij ophanging. Monteer minimaal 50 cm van brandbare objecten en laat tenminste 1meter vrij aan weerszijden voor een deugdelijke ventilatie.
- Dit apparaat bezit een hoge intensiteit LED; kijk nooit in de LED om oogbeschadigingen te voorkomen.
- Het apparaat buiten bereik van kinderen houden. Bovendien mag het apparaat nooit onbeheerd gelaten worden
- Gebruik geen schoonmaakspray om de schakelaars te reinigen. Restanten van deze spray zorgen ervoor dat smeer en stof ophopen. Raadpleeg bij storing te allen tijde een deskundige.
- Zorg dat uw handen schoon zijn tijdens het gebruik.
- Gebruik geen overmatige kracht bij het bedienen van het apparaat.
- Bij een ongeval met dit product altijd eerst een deskundige raadplegen alvorens opnieuw te gebruiken.
- Tracht het apparaat niet schoon te maken met chemische oplossingen. Dit kan de lak beschadigen. Gebruik een droge doek om schoon te maken.
- Blijf uit de buurt van elektronische apparatuur die bromstoringen zouden kunnen veroorzaken.
- Bij reparatie dienen altijd originele onderdelen te worden gebruikt om onherstelbare beschadigingen en/of ontoelaatbare straling te voorkomen.
- Schakel eerst het toestel uit voordat u het netsnoer verwijdert. Verwijder netsnoer en aansluitsnoeren voordat u dit product gaat verplaatsen.
- Zorg ervoor dat het netsnoer niet beschadigd/defect kan raken wanneer mensen erover heen lopen. Het netsnoer vóór ieder gebruik controleren op breuken/defecten!
- In Nederland/België is de netspanning 220-240Vac/50Hz. Indien u reist (en u neemt het apparaat mee) informeer dan naar de netspanning in het land waar u verblijft.



Deze markering wordt weergegeven om u erop attent te maken dat een levensgevaarlijke spanning in het product aanwezig is en dat bij aanraking van deze delen een elektrische schok wordt verkregen.



Deze instructiemarkering wordt weergegeven om u erop te wijzen dat de instructie zeer belangrijk is om te lezen en/of op te volgen.



**KIJK NOOIT DIRECT IN DE LENS.** Dit kan uw ogen beschadigen. Daarnaast dienen epileptici rekening te houden met de effecten die dit toestel creëert. Dit apparaat is CE goedgekeurd ; er mogen geen veranderingen modificaties worden doorgevoerd ; deze kunnen de CE status te niet doen met alle gevolgen van dien. Tevens vervalt de garantie!

**OPMERKING:** Om zeker te zijn van een correcte werking, dient u dit apparaat in een ruimte te gebruiken waar de temperatuur tussen de 5°C/41°F en 35°C/95°F ligt.



Raadpleeg eventueel [www.wecycle.nl](http://www.wecycle.nl) en/of [www.vrom.nl](http://www.vrom.nl) v.w.b. het afdanken van elektronische apparaten in het kader van de WEEE-regeling. Vele artikelen kunnen worden gerecycled, gooi ze daarom niet bij het huisvuil maar lever ze in bij een gemeentelijk depot of uw dealer. Lever ook afgedankte batterijen in bij uw gemeentelijk depot of bij de dealer, zie [www.stibat.nl](http://www.stibat.nl)

## UITPAKKEN

**LET OP!** Onmiddellijk na ontvangst, zorgvuldig uitpakken van de doos, controleer de inhoud om ervoor te zorgen dat alle onderdelen aanwezig zijn en zijn in goede staat zijn ontvangen. Bij transportschade of ontbreken van onderdelen onmiddellijk de verkopende partij inlichten. Bewaar de verpakking en het verpakkingsmateriaal. Indien het apparaat moet worden teruggestuurd, is het belangrijk dat de apparatuur in originele verpakking wordt geretourneerd.

Als het apparaat is blootgesteld aan drastische temperatuurverschillen (bv. na het transport), schakel het apparaat niet onmiddellijk in. De ontstane condensatie kan het apparaat beschadigen. Zorg ervoor dat het apparaat op kamertemperatuur komt en steek vervolgens de voeding stekker in het stopcontact/wandcontactdoos.

## AANSLUITSPANNING

Op het label aan de achterzijde van de controller staat aangegeven op welke netspanning deze moet worden aangesloten. Controleer of de netspanning hiermee overeenkomt, bij alle andere netspanningen dan aangegeven kan de controller onherstelbaar worden beschadigd. Tevens moet de controller direct op de netspanning worden aangesloten en mag géén dimmer of regelbare voeding worden gebruikt.

## INSTALLATIE



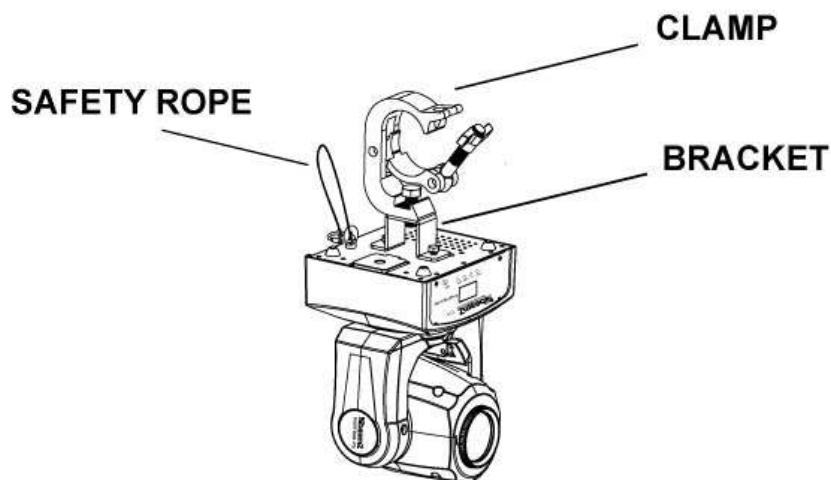
**LET OP:** Het installeren dient conform de wet en gestelde eisen te geschieden! Ook dient het installeren te geschieden door vakbekwaam personeel!



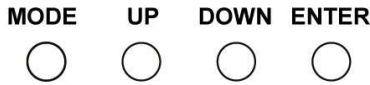
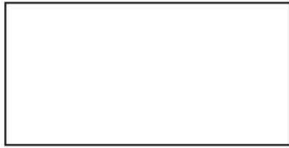
- De constructie van de ophanging dient zo te zijn dat deze 10 keer het gewicht per uur van het toestel kan dragen.
- Het lichteffect moet altijd worden gezekeerd met een tweede beveiliging zoals een vangnet of veiligheidsketting. De tweede beveiliging moet zodanig zijn geconstrueerd dat geen enkel deel naar beneden kan vallen.
- Zorg ervoor dat geen enkel individu tijdens installatie, reparatie enz. onder het toestel staat of door kan lopen.
- De gebruiker is verantwoordelijk voor het toestel, de installatie en de veiligheid van het geheel. Is deze daartoe niet in staat dient altijd een externe deskundige in de arm genomen te worden die het geheel controleert en de verantwoordelijkheid op zich neemt.
- De gebruiker dient minstens eens per jaar het toestel en de installatie te laten controleren, op veiligheid, technische werking van de laser enz., door een externe deskundige.



**LET OP:** Bij de installatie van de laserunit mag geen ontvlambaar materiaal aanwezig zijn (decoratie materiaal, enz.). Houd tenminste 50 cm afstand tot oppervlakken en andere lasers!



# DISPLAY



Het bedieningspaneel biedt verschillende mogelijkheden zoals: eenvoudige invoeren van het startadres, voorgeprogrammeerde programma selecteren of een reset. Het hoofdmenu wordt geopend door op de **Mode/Esc**-toets, blader door het submenu door **Up** of **Down**-toets.

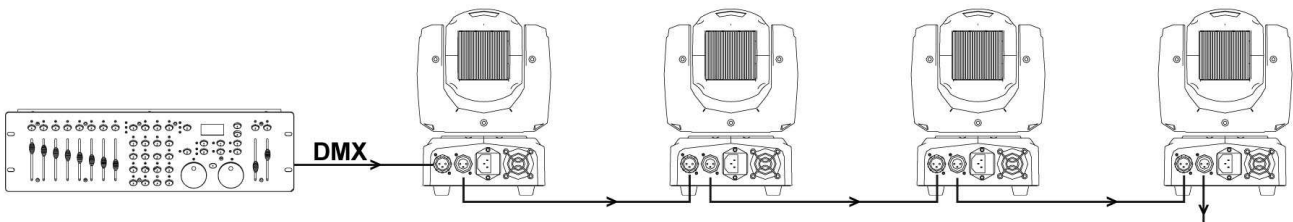
Druk op de **Enter**-toets om het gewenste menu te selecteren.

U kunt de selectie wijzigen door te drukken op de **Up** of **Down**-toets. Bevestig elke keuze door te drukken op de **Enter**-toets.

Je kunt elke modus verlaten door op de **Mode/Esc**-toets. De functies worden beschreven in het volgende schema.

# DMX-512 AANSLUITEN

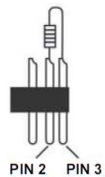
Als u gebruik maakt van een standaard DMX-lichtstuurtafel, kunt u de DMX uitgang van de stuurtafel rechtstreeks aansluiten op de DMX ingang van het eerste DMX apparaat. Sluit altijd de DMX uitgang aan op de eerst volgende DMX ingang van het volgende apparaat totdat alle apparaten zijn aangesloten.



5-polige XLR connector.

Sommige fabrikanten gebruiken 5-polige DMX kabels voor DATA transmissie in plaats van 3-pin. 5-polige DMX armaturen kan in een 3-polige DMX lijn worden uitgevoerd. Bij het plaatsen van standard 5-polige datakabels in een 3-polige DMX lijn, moet er een verloop worden gebruikt. Onderstaande tabel geeft de details voor de juiste kabelconversie.

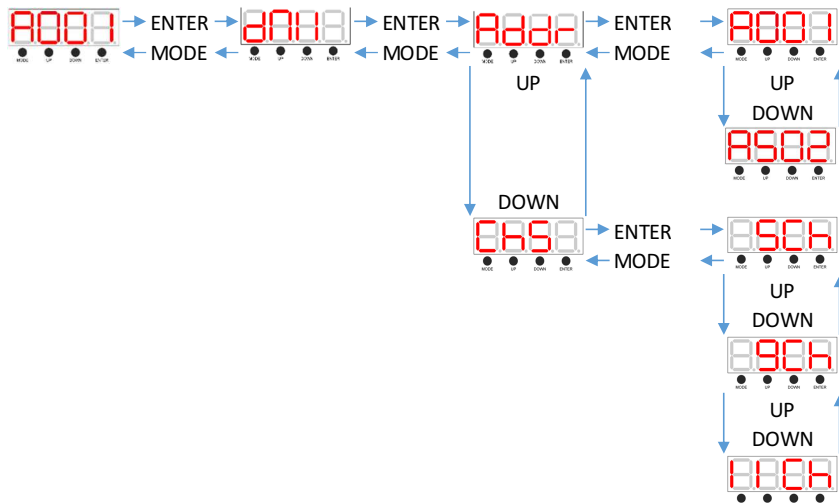
3-Pin XLR to 5-Pin XLR Conversion		
Conductor	3-Pin XLR Female (Out)	5-Pin XLR Male (In)
Ground/Shield	Pin 1	Pin 1
Data Compliment (- signal)	Pin 2	Pin 2
Data True (+ signal)	Pin 3	Pin 3
Not Used		Pin 4 – Do Not Use
Not Used		Pin 5 – Do Not Use



Opgelet bij het laatste apparaat, dient u de DMX-lijn af te sluiten met een eindweerstand. Soldeer een 120 Ohm weerstand tussen signaal (-) en signaal (+) in een 3-polige XLR connector en steek deze in de DMX uitgang van het laatste apparaat in de lijn.

## Het selecteren van de DMX startadres en DMX-Modus.

Druk op de enter toets totdat "DMX", "SET" op het display verschijnt. Gebruik nu de Up en Down knoppen om de "DMX" menu-item te selecteren en bevestig met ENTER. "ADDR" verschijnt nu op de display, druk vervolgens nogmaals op "ENTER". U kunt nu de DMX startadres wijzigen met behulp van de toetsen "UP" en "DOWN" (A001 - A5002). Bevestig met ENTER, "SAVE" wordt kort weergegeven op het display. Om de DMX modus instellen, selecteert u het menu-item "DMX", druk op ENTER en gebruik vervolgens de toetsen "UP" en "DOWN" om het menu-item "CHS" te selecteren. Druk op ENTER en gebruik de UP en DOWN toetsen om de gewenste DMX modus (5Ch, 9Ch, 11Ch) te selecteren. Bevestig met ENTER, "SAVE" wordt kort weergegeven op het display. De synchrone besturing van meerdere spots (zelfde model) via een DMX besturingseenheid (bijvoorbeeld DMX sturing) kunnen worden bereikt door de spots een identieke DMX startadres en met behulp van DMX kabels te verbinden.



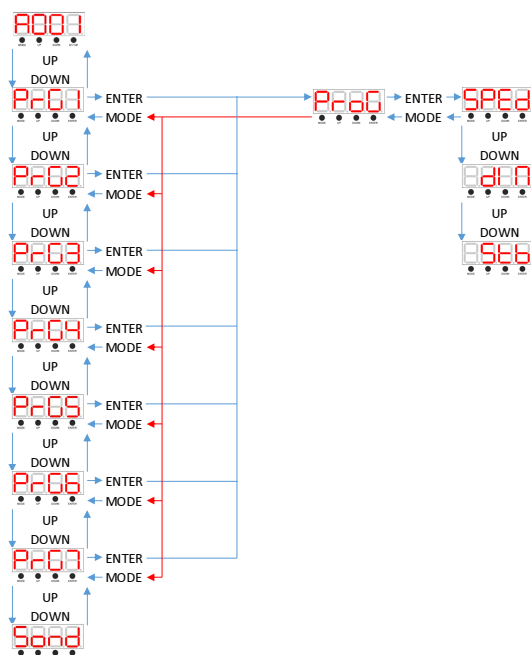
## AUTO PROGRAMMA'S

Show Mode: In deze modus kan een enkel moving head, of meerdere aan elkaar gekoppelde, één van de zeven shows die u kiest.

1. Druk op de "UP" of "DOWN" toets totdat één van de zeven programma's wordt weergegeven, en druk op ENTER. De foto hieronder de details voor de juiste MENU structuur.
2. Als u heeft gekozen voor een van de zeven programma's en u op ENTER drukt, kunt u de SPEED, DIM, STROBE aanpassen.

### SOUND MODE

Druk op de "UP" of "Down" toetsen en selecteer "Sound".



## MAIN FUCTIONS

### DISPLAY invert

Druk op de MODE toets in het display komt "SET" te staan, druk op "ENTER", vervolgens met de "UP" of "Down" toets tot "RDIS" wordt weergegeven, vervolgens nogmaals op "ENTER", u kunt nu de volgende opties kiezen "OFF" of "ON".

OFF: Display normale weergave, als het moving head op de vloer staat.

ON: Display omgekeerd weergave, als de moving head ondersteboven hangt.

### Pan invert

Druk op de MODE toets in het display komt "SET" te staan, druk op "ENTER" vervolgens met de "UP" of "Down" toets tot "MSET" wordt weergegeven, vervolgens nogmaals op "ENTER", u kunt kiezen uit "BLTO" of "NCAL". Selecteer "NCAL" met behulp van de "UP" of "Down" toetsen, bevestig met "ENTER". Vervolgens gaat u naar "PAN", druk op "ENTER" selecteer "REV" druk nogmaals op "ENTER", u kunt kiezen uit "NO" (Normaal) of "YES" (Tilt invert).

### Tilt invert

Druk op de MODE toets in het display komt "SET" te staan, druk op "ENTER" vervolgens met de "UP" of "Down" toets tot "MSET" wordt weergegeven, vervolgens nogmaals op "ENTER", u kunt kiezen uit "BLTO" of "NCAL". Selecteer "NCAL" met behulp van de "UP" of "Down" toetsen, bevestig met "ENTER". Vervolgens gaat u naar "TILT", druk op "ENTER" selecteer "REV" druk nogmaals op "ENTER", u kunt kiezen uit "NO" (Normaal) of "YES" (Tilt invert).

### LED-display gaat na 20 seconden uit

Druk op de MODE toets in het display komt "SET" te staan, druk op "ENTER" vervolgens met de "UP" of "Down" toets tot "CLDI" wordt weergegeven, vervolgens "ENTER" u kunt kiezen uit "ON" (Na 20 seconden LED-display uit) of "OFF" (Led display blijft aan).

### Reset

Druk op de MODE toets in het display komt "SET" te staan, druk op "ENTER" vervolgens met de "UP" of "Down" toets tot "RST" wordt weergegeven, drukt u op "ENTER" u kunt kiezen uit "OFF" of "ON".

### Sound MODE

Druk op de MODE toets in het display komt "SET" te staan, druk op "ENTER" vervolgens met de "UP" of "Down" toets totdat "MIC" wordt weergegeven drukt op "ENTER" en selecteer het geluid gevoeligheid tussen de waarde 0 en 100. Druk op de toets "ENTER" om te bevestigen.

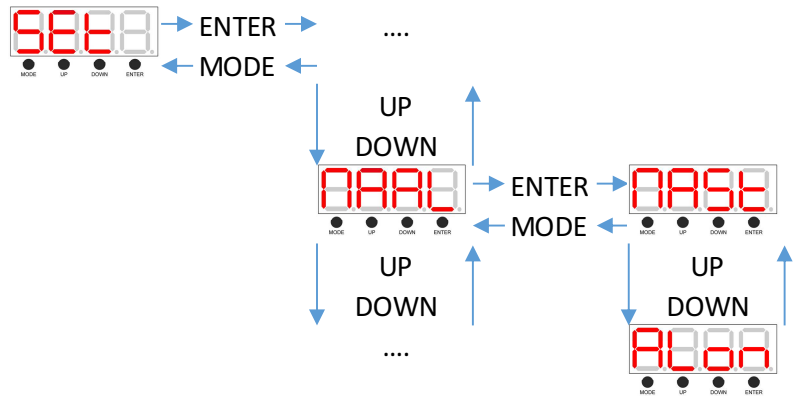
## MASTER SLAVE FIXTURE

Moving head kunnen in serie worden geschakeld waar één unit als Master functioneert en alle anderen als Slaves. Slave units werken allemaal synchron met de Master unit.

1. Druk op de MODE toets in het display komt "SET" te staan, druk op "ENTER" met de "UP" of "Down" toetsen tot "MAAL" wordt weergegeven, vervolgens "ENTER" u kunt kiezen uit "MAST" of "ALON".

2. Druk op ENTER om te bevestigen.

LET OP: In een Master / Slave configuratie kan één moving head als "MAST" instellen de volgende moving head als "ALON". Moving head werken allemaal synchron met de Master unit



## AFSTANDSBDIENING

Met de IR-afstandsbediening, kunt u de moving head eenvoudig bedienen en beschikt u over een groot aantal functies.

Om de moving head te bedienen dient u de afstandsbediening naar de voorzijde van de armatuur te richten en de afstand mag niet meer dan 9 meter zijn.

### STAND BY

Om de AB te activeren toetsel met de AB in standby zetten, in het display is nu STOP te zien.



FULL ON



De bediening met de AB is verder als volgt:

### GOBO instellen

Druk op "GOBO" en vervolgens op de cijfer toetsen, kies nu de juiste gobo.

### Kleur instellen

Druk op "COLOR" en vervolgens op de cijfer toetsen, kies de kleur.

### Strobe instellen

Druk op "STROBE" en vervolgens op de cijfer toetsen, selecteer snelheid.

Met de Toetsen : "DIMMER +" en "DIMMER -" kunt u de licht sterkte instellen.

### Programma instellen:

Druk op de toets "SHOW" en vervolgens op de cijfer toetsen voor het Juiste programma.

U kunt nu op de "SOUND NO" toets drukken om het toestel op geluid te laten werken.

Door "SOUND OFF" te drukken schakelt het toestel weer naar de auto modus.

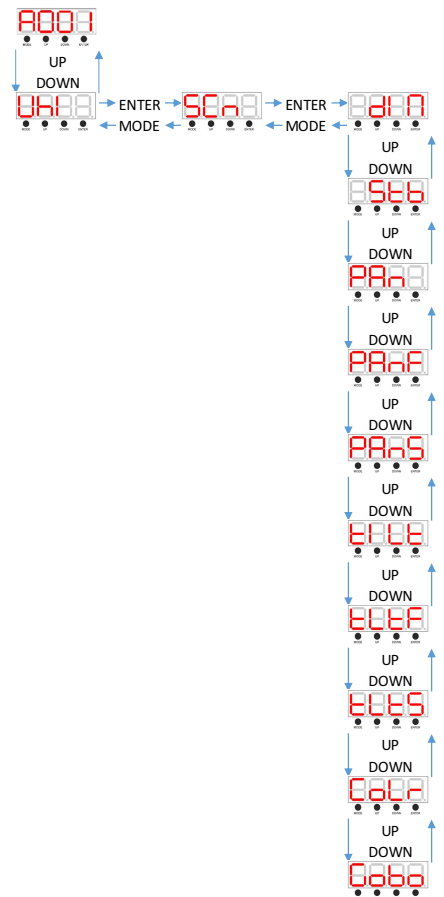
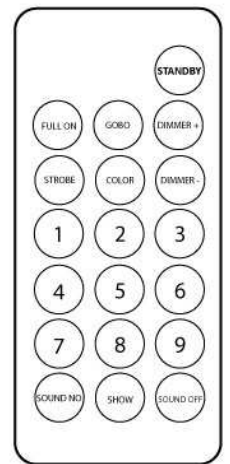
Wanneer u nu weer op de STAND BY toets drukt gaat het toestel in de stand DMX "staan".

### UHI instelling

Druk op de "UP" of "Down" toets tot u in het display "UHI" ziet. Druk op "ENTER" ga met de "UP" of "Down" toets naar "SCN", drukt op "ENTER". U krijgt de volgende keuzes Dim, Stb (Strobe), Pan, Pan (Pan fine), Pans (Pan snelheid), Tilt, Tilf (Tilt fine), Tits (Tilt snelheid), Colr (kleur) of Gobo, deze kunnen gewijzigd worden door "ENTER" toets te gebruiken.

Als u de positie verandert, zal de movinghead altijd na deze positie gaan.

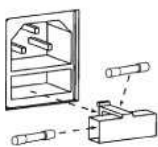
Standaard staat movinghead op 128 (Home positie). Gebruik de "UP" of "Down" toets om de waarde aan te passen.



## VERVANGEN ZEKERING

Indien de zekering defect is, dient u de zekering te vervangen door een zekering van hetzelfde type en waarde. Voor het vervangen van de zekering, schakel eerst de stroom uit en volg de onderstaande stappen.

Procedure:



- Stap 1: Open de zekeringhouder op het achterpaneel met een passende platte schroevendraaier.
- Stap 2: Verwijder de oude zekering uit de zekeringhouder.
- Stap 3: Installeer de nieuwe zekering in de zekeringhouder.
- Stap 4: Plaats de zekeringhouder in de behuizing.

## ONDERHOUD

Het schoonmaken van inwendige en uitwendige optische lenzen en / of spiegels moet regelmatig worden uitgevoerd om de lichtopbrengst te optimaliseren. Schoonmaken frequentie is afhankelijk van de omgeving waarin het toestel wordt gebruikt: een klamme, rokerige of bijzonder vuile omgeving kan een grotere opeenhoping van vuil veroorzaken op de optische uitrusting.

- Zorg er voor dat gedurende het onderhoud zich geen individuen bevinden onder het toestel.
- Schakel het toestel uit, trek de stekker uit het stopcontact en wacht tot de laser is afgekoeld.
- Behuizing, bevestiging en installaties (plafond, truss, ophanging) moeten van deugdelijke aard zijn.
- Het netsnoer mag niet beschadigd zijn en moet direct vervangen worden, ook bij kleine defecten.
- Om de laser te beschermen tegen oververhitting dienen ventilatoren en ventilatie openingen iedere maand schoongemaakt te worden.
- De lens en spiegels dienen periodiek schoongemaakt te worden. Deze periode is afhankelijk van de aanwezige viezigheid.
- Alleen schoonmaken met een droge doek.
- Gebruik geen reinigingsmiddelen.
- Maak de lens tenminste iedere maand schoon.
- Modificaties door de fabrikant worden zonder u op de hoogte te brengen doorgevoerd.



**LET OP:** Wij adviseren u het reinigen en servicen van het toestel uit te laten voeren door een vakbekwaam persoon.



## HET OPLOSSEN VAN PROBLEMEN

Dit hoofdstuk beschrijft een aantal veel voorkomende problemen die zich kunnen voordoen tijdens de bediening en biedt een aantal suggesties voor het eenvoudig oplossen van problemen:

Symptoom	Mogelijke oorzaak	Verhelpen
Geen licht uit movinghead, of ventilatoren werken niet.	Voeding probleem, Zoals doorgebrande zekering, defect connector of beschadigde kabel.	Controleer andere fixture's. Voeding led aan. Controleer de voeding en kabels. Vervang de zekering.
Movinghead reageert niet op de muziek.	Geluid uitgeschakeld. Geluid gevoeligheid te laag voor de geluidsbron.	Zorg ervoor dat de Movinghead niet verbonden is met DMX signaal. Pas de gevoeligheid van de microfoon aan. Tik op de microfoon om te controleren of het juist functioneert. De movinghead moet reageren als deze in de geluid mode staat.
Eén van de channels reageert niet of met tussenpozen.	DMX setup of DMX verbinding is slecht. Defecte stappenmotor of kabelverbinding tussen head en body.	Zie de volgende stap. Neem contact op met Beamz door Tronios erkende distributeur of service center voor assistentie.
Movinghead reageert niet op DMX controle.	Onjuiste DMX adressering. Storing op de DMX lijn te wijten aan beschadigde connector, kabel, of mogelijke storingen van nabijheid van een hoogspanning installatie.	De DMX adres van de movinghead moet overeenkomen met het adres die ingesteld staat op de stuurtafel. Is dit niet zo controleer de DMX kabels en verbindingen. Zorg ervoor dat DMX link is beëindigd. Controleer of de movinghead op DMX verbinding staat. Proberen van de controle movinghead met een ander DMX stuurtafel. Verplaats de movinghead als deze nabij een onbeschermd hoogspanning installatie staat.

Vielen Dank für den Kauf dieses Beamz gerat. Nehmen Sie sich einen Augenblick Zeit, um diese Anleitung sorgfältig durchzulesen, damit sie die Möglichkeiten, die unser Produkt bietet, sofort voll ausnutzen können. Lesen Sie erst die Anleitung vollständig vor der ersten Inbetriebnahme durch. Befolgen Sie die Anweisung, da sonst jeglicher Garantieanspruch verfällt. Treffen Sie stets alle Sicherheits-vorkehrungen um Feuer und/oder Stromschlag zu vermeiden. Reparaturen dürfen nur von qualifiziertem Fachpersonal ausgeführt werden, um Stromschlag zu vermeiden. Bewahren Sie diese Anleitung für spätere Bezugnahme auf.

- Bewahren Sie die Verpackung auf, um das Gerät im Bedarfsfall sicher transportieren zu können.
- Bevor das Gerät in Betrieb genommen wird, muss es erst von einem Fachmann überprüft werden. Bei der ersten Benutzung kann etwas Geruch auftreten. Das ist normal und verschwindet nach einer Weile
- Das Gerät enthält unter Spannung stehende Teile. Daher NIEMALS das Gehäuse öffnen.
- Keine Metallgegenstände oder Flüssigkeiten ins Gerät dringen lassen. Sie können zu Stromschlag und Defekten führen.
- Gerät nicht in der Nähe von Wärmequellen wie Heizkörpern aufstellen. Nicht auf eine vibrierende Oberfläche stellen. Niemals die Belüftungsschlitze abdecken.
- Das Gerät ist nicht für Dauerbetrieb geeignet.
- Gehen Sie vorsichtig mit dem Netzkabel um und beschädigen Sie es nicht. Eine beschädigte Netzschnur kann zu Stromschlag und Defekten führen.
- Wenn Sie das Gerät vom Netz trennen, immer am Stecker ziehen, niemals an der Schnur.
- Um Feuer und Stromschlag zu vermeiden, das Gerät vor Regen und Feuchtigkeit schützen.
- Den Stecker nie mit nassen Händen in eine Netzsteckdose stecken oder abziehen.
- Wenn sowohl der Stecker und/oder die Netzschnur bzw. der Kabeleintritt ins Gerät beschädigt sind, müssen sie von einem Fachmann repariert werden.
- Wenn das Gerät so beschädigt ist, dass Innenteile sichtbar sind, darf der Stecker NICHT in eine Steckdose gesteckt werden und das Gerät darf NICHT eingeschaltet werden. Wenden Sie sich in dem Fall an Ihren Fachhändler. Das Gerät darf nicht an einen Dimmer angeschlossen werden.
- Reparaturen dürfen nur von einem Fachmann oder Sachverständigen ausgeführt werden.
- Das Gerät nur an eine geerdete 10-16A Netzsteckdose mit 220-240V AC/50Hz Spannung anschließen.
- Bei Gewitter oder längerem Nichtgebrauch den Netzstecker abziehen. Die Regel gilt: Bei Nichtgebrauch Netzstecker abziehen.
- Wenn das Gerät längere Zeit nicht benutzt wurde, kann sich Kondenswasser gebildet haben. Lassen Sie das Gerät erst auf Zimmertemperatur kommen, bevor Sie es einschalten. Das Gerät nicht in feuchten Räumen oder im Freien benutzen.
- Das Gehäuse wird sehr warm. Während des Betriebs und gleich danach nicht das Gehäuse anfassen.
- Um Unfällen in der Öffentlichkeit vorzubeugen, müssen die geltenden Richtlinien beachtet und die Anweisungen/Warnungen befolgt werden.
- Wenn das Gerät an der Decke befestigt werden soll, muss es mit einer zusätzlichen Sicherheitskette abgesichert werden. Benutzen Sie ein Traversen system mit Haken. Während der Montage darf sich niemand im Bereich darunter aufhalten. Das Gerät muss mindestens 50cm von brennbaren Materialien entfernt angebracht werden. Lassen Sie einen Mindestabstand von 1m an jeder Seite des Geräts frei, um ausreichende Kühlung zu gewährleisten.
- Das Gerät besitzt eine hochintensive LED. Niemals direkt in die LED blicken, um die Augen nicht zu beschädigen.
- Niemals das Gerät kurz hintereinander ein- und ausschalten. Dadurch verkürzt sich die Lebensdauer erheblich.
- Das Gerät außerhalb der Reichweite von Kindern halten. Das Gerät niemals unbeaufsichtigt lassen.
- Die Regler nicht mit Reinigungssprays reinigen. Diese hinterlassen Rückstände, die zu Staub- und Fettansammlungen führen. Bei Störungen immer einen Fachmann um Rat fragen.
- Das Gerät nur mit sauberen Händen bedienen.
- Das Gerät nicht mit Gewalt bedienen.
- Nach einem Unfall mit dem Gerät immer erst einen Fachmann um Rat fragen, bevor Sie es wieder einschalten.
- Keine chemischen Reinigungsmittel benutzen, die den Lack beschädigen. Das Gerät nur mit einem trockenen Tuch abwischen.
- Nicht in der Nähe von elektronischen Geräten benutzen, die Brummstörungen verursachen können.
- Bei Reparaturen nur die Original-Ersatzteile verwenden, um starke Schäden und/oder gefährliche Strahlungen zu vermeiden.
- Bevor Sie das Netz- und/oder Anschlusskabel abziehen, erst das Gerät ausschalten. Netz- und Anschlusskabel abziehen, bevor Sie das Gerät umstellen.
- Sorgen Sie dafür, dass das Netzkabel nicht beschädigt werden kann, wenn Menschen darüber laufen. Das Netzkabel vor jedem Einsatz auf Brüche/Schadstellen überprüfen.
- In Deutschland beträgt die Netzspannung 220-240V AC / 50Hz. Wenn Sie das Gerät auf Reisen mitnehmen, prüfen Sie, ob die örtliche Netzspannung den Anforderungen des Geräts entspricht.



Dieses Zeichen weist den Benutzer darauf hin, dass lebensgefährliche Spannungen im Gerät anliegen, die bei Berührung einen Stromschlag verursachen.



Dieses Zeichen lenkt die Aufmerksamkeit des Benutzers auf wichtige Hinweise in der Anleitung hin, die unbedingt eingehalten werden müssen.



**NIEMALS DIREKT IN DIE LINSE BLICKEN.** Dies kann Ihre Augen verletzen. Epileptiker müssen die Auswirkungen berücksichtigen, die die Effekte dieses gerat auf ihre Gesundheit haben können. Das Gerät ist CE geprüft. Daher dürfen KEINE Veränderungen vorgenommen werden. Außerdem verfällt bei Veränderungen am Gerät jeglicher Garantieanspruch!

**HINWEIS:** Um einen einwandfreien Betrieb zu gewährleisten, muss die Raumtemperatur zwischen 5° und 35°C liegen.



Tronios BV Registrierungsnummer : DE51181017 (ElektroG). Dieses Produkt darf am Ende seiner Lebensdauer nicht über den normalen Haushaltsabfall entsorgt werden, sondern muss an einem Sammelpunkt für das Recycling abgegeben werden. Hiermit leisten Sie einen wichtigen Beitrag zum Schutze unserer Umwelt.

Tronios BV Registrierungsnummer : 21003000 (BatterieG). (Lithium)Batterien und Akkupacks sollten nur im entladenen Zustand in die Altbatteriesammelgefäße bei Handel und bei öffentlich-rechtlichen Entsorgungsträgern gegeben werden. Bei nicht vollständig entladenen Batterien Vorsorge gegen Kurzschluß treffen durch Isolieren der Pole mit Klebestreifen. Der Entnutzer ist zur Rückgabe von Altbatterien gesetzlich verpflichtet.

## AUSPACKEN

Packen Sie das Gerät sofort nach Empfang aus und prüfen Sie den Inhalt. Wenn Teile fehlen oder beschädigt sind, benachrichtigen Sie sofort den Spediteur und bewahren Sie die Verpackung auf. Falls ein Gerät ins Werk zurückgeschickt werden muss, ist es wichtig, dass es in der Originalverpackung versandt wird.

Das Gerät darf nicht in Betrieb genommen werden, nachdem es von einem kalten in einen warmen Raum gebracht wurde. Das dabei entstehende Kondenswasser kann unter Umständen Ihr Gerät zerstören. Lassen Sie das Gerät solange uneingeschaltet, bis es Zimmertemperatur erreicht hat!

## NETZANSCHLUSS

Die benötigte Versorgungsspannung steht auf dem Typenschild auf der Rückseite des Geräts. Die angegebenen Stromwerte entsprechen einem Durchschnittswert bei normalem Betrieb. Alle Geräte müssen direkt ans Netz angeschlossen werden und dürfen nicht über Dimmerpacks geschaltet werden. Bevor Sie eine Spannung anlegen, prüfen Sie, ob der Wert der zulässigen Spannung entspricht.

## INSTALLATION



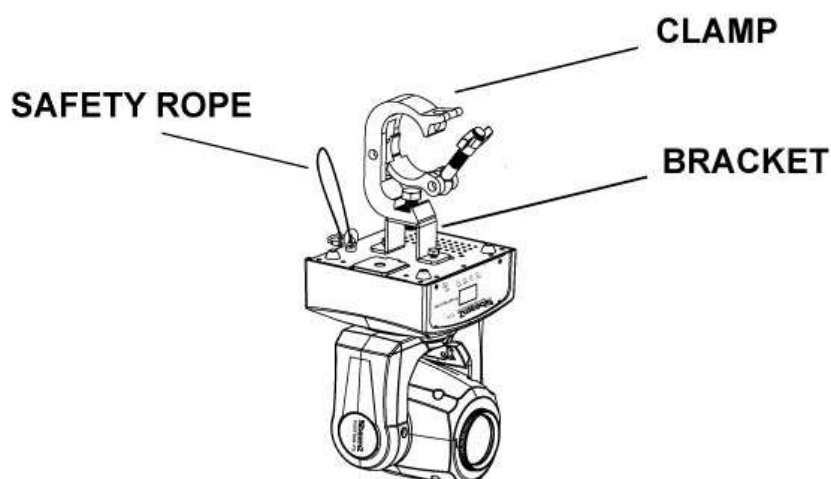
**VORSICHT:** Bitte beachten Sie die entsprechende nationale Gesetzgebung während der Montage! Die Installation darf nur von befugten Angestellten oder Fachleuten ausgeführt werden.



- Die Aufhängung des Geräts muss 10-mal das Eigengewicht 1 Stunde lang ohne Spuren von Verformung tragen können.
- Die Anlage muss immer mit einer zweiten Sicherheitsvorrichtung z.B. einem geeigneten Fallnetz abgesichert werden. Die zweite Sicherheitsvorrichtung muss so gebaut sein, dass keine Teile des Geräts auf den Boden fallen können, falls die Hauptbefestigung nachgibt.
- Achten Sie drauf, dass sich während der Montage, Demontage und Wartung keine Personen unter dem Montageplatz befinden.
- Der Benutzer muss sicherstellen, dass alle sicherheitstechnischen Anlagen von einem Fachmann geprüft werden, bevor er die Anlage zum ersten Mal in Betrieb nimmt oder nach Änderungen der Anlage.
- Der Benutzer muss sicherstellen, dass die Anlage einmal im Jahr von einem Fachmann geprüft wird.
- Das Gerät muss an einem Ort angebracht werden, wo es nicht von Personen erreicht werden kann und wo sich keine Personen weder stehend noch sitzend aufhalte.

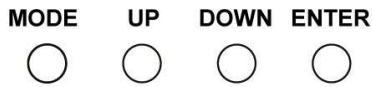


**VORSICHT:** Beim Installieren des Geräts darauf achten, dass sich keine brennbaren Materialien (Dekorationsartikel usw.) in weniger als 0,5m Entfernung befinden.





# DISPLAY



Die Konsole bietet verschiedene Funktionen wie: einfache Eingabe der Startadresse, wählen Sie Preset-Programm oder ein Reset. Das Hauptmenü wird durch Drücken der **Mode/Esc**-Taste aufgerufen, blättern Sie durch die Untermenüs durch **Up** oder **Down**-Taste.

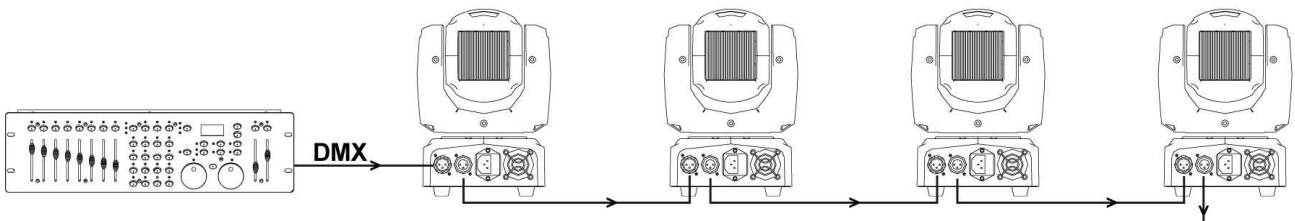
Drücken Sie die **Enter**-Taste, um das gewünschte Menü auszuwählen.

Sie können die Auswahl mit der Taste **Up** oder **Down**, ändern. Bestätigen Sie jede Auswahl mit der **Enter**-Taste.

Sie können jeden Modus durch Drücken der **Mode/Esc**-Taste verlassen. Die Funktionen sind im folgenden Schema beschrieben.

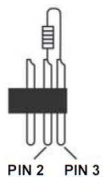
# DMX-512 ANSCHLUSS

Wenn Sie einen standard Controller verwenden, können Sie den DMX-Ausgang des Controllers direkt mit dem DMX-Eingang des ersten Gerätes der DMX-Kette verbinden. Verbinden Sie immer einen Ausgang mit dem Eingang des nächsten Gerätes bis alle Geräte angeschlossen sind. Sollen DMX-Controller mit 5-polige XLR-Ausgängen angeschlossen werden, müssen 5-polige nach 3-polige Adapter verwendet werden.



3-Pin XLR 5-Pin XLR Konvertierung		
	3-Pin XLR Female (Out)	5-Pin XLR Male (In)
Masse / Schirm	Pin 1	Pin 1
Data (- signal)	Pin 2	Pin 2
Data (+ signal)	Pin 3	Pin 3
Nicht benutzt		Pin 4
Nicht benutzt		Pin 5

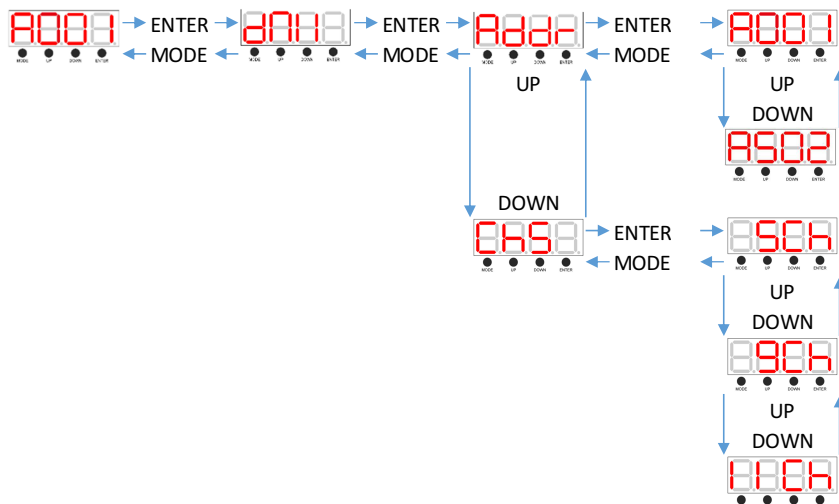
Achtung, Am letzten Gerät muss das DMX-Kabel durch einen Abschlusswiderstand abgeschlossen werden. Dazu wird ein XLR-Stecker in den DMX-Ausgang am letzten Gerät gesteckt, bei dem zwischen Signal (-) und Signal (+) ein 120 Ohm Widerstand eingelötet ist.



## Auswahl der DMX start adresse und DMX-Modus.

Drücken Sie auf ENTER-Taste bis „A001“ erscheint auf dem Display. Jetzt verwenden Sie „UP“ oder „DOWN“ Taste zum selektieren „DMX“ menü und bestätigen mit „ENTER“. „Addr“ erscheint auf dem Display und drücken Sie auf ENTER-Taste, Sie können jetzt die DMX start adresse ändern mit Tasten „UP“ oder „DOWN“ (A001-A512). Nach bestätigen mit „ENTER“ erscheint „SAVE“ auf dem Display.

Um DMX Kanäle Modus zu wählen, selektieren „CH5“ menü und bestätigen Sie mit „ENTER“. Drücken Sie auf „UP“ oder „DOWN“ und wählen Sie die Anzahl der DMX-Kanäle (5, 9 oder 11 Kanäle). Nach bestätigen mit „ENTER“, erscheint „SAVE“ auf dem Display.



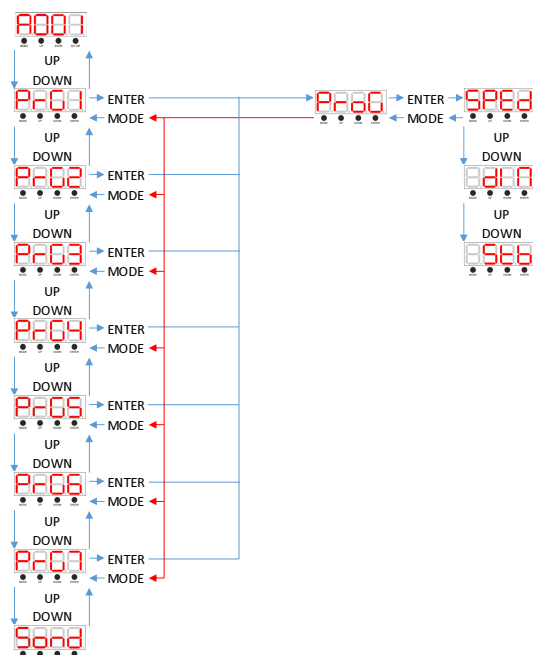
## AUTO PROGRAMME

1. Drücken Sie die "UP" oder "DOWN" Taste, bis einer von sieben Programme erscheint und bestätigen mit "Enter" Taste.

2. Wenn Sie eine Programme ausgewählt habe, können Sie mit „ENTER“ Taste die Geschwindigkeit Dimmer und Strobe Veränderung.

### SOUND MODE

Drücken Sie die "up" oder "down" -Taste, für Musik gesteuert "Sound".



## HAUPTFUNKTIONEN

### Display Inversion

Drücken Sie die "Mode" Taste bis Sie sehen "SET" auf dem Display und drücken Sie "ENTER" Taste. Gehen Sie mit due "UP" und "DOWN" Taste durch Menü zu "RDIS" angezeigt wird.

OFF: Display Normalmodus für Bodenmontage

ON: Display inversion modus für umgekehrte Montage

### Pan Inversion

Drücken Sie die "Mode" Taste bis Sie sehen "SET" auf dem Display und drücken Sie "ENTER" Taste. Gehen Sie mit "UP" und "DOWN" Taste durch Menü zu "MSET" angezeigt wird. Drücken Sie die "ENTER" Taste zu "BLTO" oder "NCAL" angezeigt wird. Wählen Sie "NCAL" und drücken Sie "ENTER" Taste, dann drücken Sie "UP" oder "DOWN" Taste zu "PAN" angezeigt wird. Drücken Sie "ENTER" Taste und wählen "REV" danach bestätigen Sie mit "ENTER" Taste und wahlen Sie "NO" (Normal) oder "YES" (Pan inversion)

### Tilt Inversion

Drücken Sie die "Mode" Taste bis Sie sehen "SET" auf dem Display und drücken Sie "ENTER" Taste. Gehen Sie mit "UP" und "DOWN" Taste durch Menü zu "MSET" angezeigt wird. Drücken Sie die "ENTER" Taste zu "BLTO" oder "NCAL" angezeigt wird. Wählen Sie "NCAL" und drücken Sie "ENTER" Taste, dann drücken Sie "UP" oder "DOWN" Taste zu "TILT" angezeigt wird. Drücken Sie "ENTER" Taste und wählen "REV" danach bestätigen Sie mit "ENTER" Taste und wahlen Sie "NO" (Normal) oder "YES" (Tilt inversion).

### Display nach 20 sek. aus

Drücken Sie die "Mode" Taste bis Sie sehen "SET" auf dem Display und drücken Sie "ENTER" Taste. Gehen Sie mit "UP" und "DOWN" Taste durch Menü zu "CLDI" angezeigt wird. Drücken Sie die "ENTER" Taste und wählen "ON" (Nach 20 sekunde display aus) oder "OFF".

### Reset

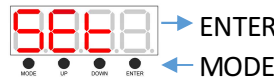
Drücken Sie die "Mode" Taste bis Sie sehen "SET" auf dem Display und drücken Sie "ENTER" Taste. Gehen Sie mit "UP" und "DOWN" Taste durch Menü zu "RST" angezeigt wird. Drücken Sie die "ENTER" Taste.

### Sound MODE

Drücken Sie die "Mode" Taste bis Sie sehen "SET" auf dem Display und drücken Sie "ENTER" Taste. Gehen Sie mit "UP" und "DOWN" Taste durch Menü zu "MIC" angezeigt wird. Drücken Sie die "ENTER" Taste und wählen Sie die Musikempfindlichkeit zwischen 0 und 100. Drücken Sie die "ENTER" Taste zu bestätigen.

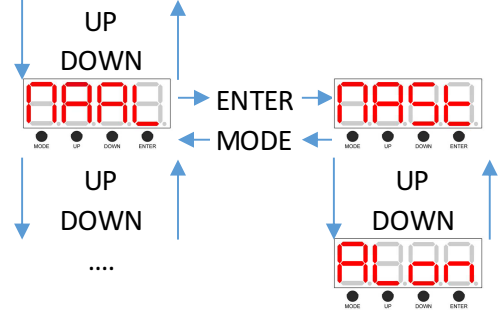
## MASTER SLAVE

1. Schließen Sie den (männlichen) 3-Pin-Stecker Seite des DMX-Kabel mit dem Ausgang (weiblich) 3-Pin-Anschluss des ersten Gerätes.



2. Verbinden Sie das Ende des Kabels von der ersten Geräte (Female) an den Eingangsanschluss des nächsten Gerätes (Male) und so weiter.

3. Drücken Sie die "Mode"-Taste bis Sie sehen "SET" auf dem Display und drücken Sie "ENTER"-Taste. Dann drücken Sie "UP" oder "DOWN" Taste zu "MAAL" angezeigt wird. Drücken Sie die "ENTER"-Taste und wählen "MAST" oder "ALON" und bestätigen Sie mit "ENTER"-Taste.



**ACHTUNG:** In einer Master / Slave-Konfiguration müssen Sie das erste Gerät einstellen auf Master und den nächsten Gerätes als "ALON", werden die Spielpläne synchron bewegen.

## FERNBEDIENUNG

Mit der IR-Fernbedienung können Sie ganz einfach die Moving Head bedienen und Sie haben viele Funktionen.

**STAND BY** - Drücken Sie diese Taste, um den IR-Fernbedienungsmodus zu aktivieren. Auf dem Display erscheint "STOP".



**FULL ON** - Drücken Sie diese Taste um die Beleuchtungs-LED einzuschalten. Auf dem Display erscheint "UHI".



**GOBO** - Drücken Sie diese Taste um einen gobo auszuwählen mittels wählen 1-9 Tasten.

**COLOR** - Drücken Sie diese Taste um die individuelle Farbe auszuwählen mittels wählen 1-9 Tasten.

**STROBE** - Drücken Sie diese Taste, Zum aktivieren des Stroboskop Effekts und wählen dann mit Hilfe der Nummerntasten die Stroboskop-Geschwindigkeit.

**"DIMMER +" und "DIMMER -"** - Drücken Sie diese Taste, um die Lichtintensität anzupassen

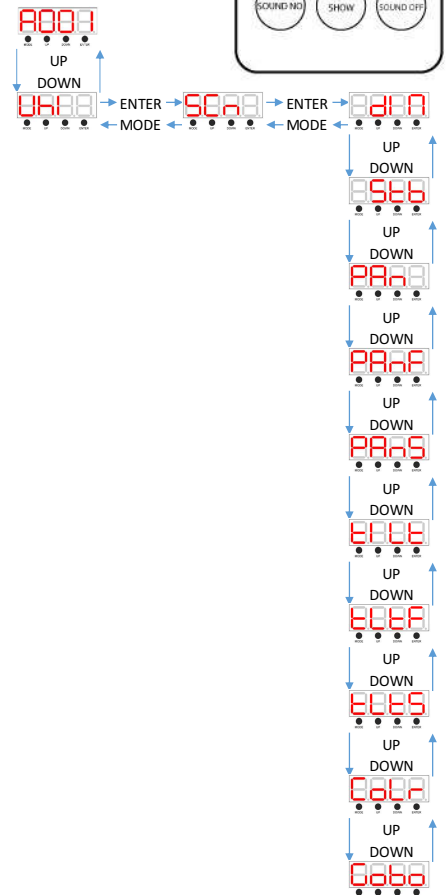
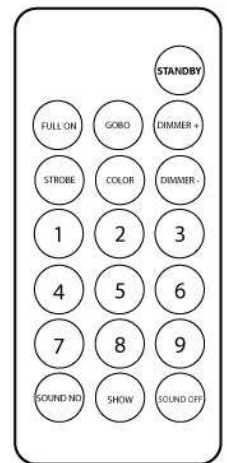
### Einstellen des Programms:

Drücken Sie die "SHOW"-Taste, gefolgt von einer Nummerntasten zur gewünschten Programm.

Nun können Sie drücken auf die "SOUND NO" –Taste für Musiksteuerung. Mit "SOUND OFF" Taste schaltet Sie die Musiksteuerung aus.

### Einstellen UHI

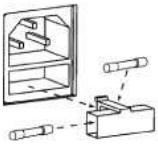
Drücken Sie die "UP" oder "DOWN"-Taste bis Sie sehen "UHI". Drücken Sie die "ENTER"-Taste und gehen Sie mit "UP" oder "DOWN"-Taste bis "SCN" angezeigt wird und bestätigen Sie mit "ENTER"-Taste. Sie kann ändern Stb (Strobe), Pan, Panf (Pan fine), Pans (Pan speed), Tilt, Tilf (Tilt fine), Tits (Tilt speed), Colr (Color) oder Gobo.



## SICHERUNGSWECHSEL

Wenn die Feinsicherung des Gerätes defekt ist, darf diese nur durch eine Sicherung gleichen Typs ersetzt werden. Vor dem Sicherungswchsel ist das Gerät allpolig von der Netzspannung zu trennen (Netzsteckerziehen).

Vorgehensweise:



Schritt 1: Öffnen Sie den Sicherungshalter an der Geräterückseite mit einem passenden schraubendreher.

Schritt 2: Entfernen Sie die defekte Sicherung aus dem Sicherungshalter.

Schritt 3: Setzen Sie die neue Sicherung in den Sicherungshalter ein.

Schritt 4: Setzen Sie den Sicherungshalter wieder im Gehäuse ein.

## REINIGUNG UND WARTUNG

Der inneren und äußeren optischen Linsen und / oder Spiegel müssen regelmäßig gereinigt werden, um die Lichtleistung zu optimieren. Die Häufigkeit der Reinigung hängt von der Umgebung, in der das: feuchte, verrauchte und besonders verschmutzte Umgebung führen zu größerer Verschmutzung auf den Linsen des Geräts verursachen.

- Stellen Sie sicher, dass der Bereich unterhalb des Geräts befinden sich keine unbefugten Personen im Servicefall.
- Alle Schrauben, mit denen das Gerät oder Geräteteile montiert sind, müssen fest sitzen und dürfen nicht korrodiert sein.
- An Gehäuse, Befestigungen und Montageort (Decke, Abhängung, Traverse) dürfen keine Verformungen sichtbar sein.
- Die elektrischen Anschlussleitungen dürfen keinerlei Beschädigungen, Materialalterung (z.B. poröse Leitungen) oder Ablagerungen aufweisen. Um den Laser vor Überhitzung Lüfter und Lüftungsschlitze sollten monatlich gereinigt werden, zu schützen.
- Das Objektiv und Spiegel sollten regelmäßig gereinigt werden. Diese Zeit ist abhängig von der vorhandenen Schmutz.
- Reinigen Sie es nur mit einem trockenen Tuch.
- Auf keinen Fall Alkohol oder irgendwelche Lösungsmittel zur Reinigung verwenden!
- Reinigen Sie das Objektiv sauber mindestens einmal im Monat.
- Änderungen, ohne dass Sie den vom Hersteller geändert informieren.

**ACHTUNG: Wartungs- und Servicearbeiten sind ausschließlich dem autorisierten Fachhandel vorbehalten!**

Enhorabuena por la compra de este efecto de luces Beamz. Por favor lea atentamente este manual antes de usar el aparato para disfrutar al completo de sus prestaciones.

Seguir las instrucciones le permite no invalidar la garantía. Tome todas las precauciones para evitar que se produzca fuego o una descarga eléctrica. Las reparaciones solo deben llevarse a cabo por técnicos cualificados para evitar descargas eléctricas. Guarde el manual para futuras consultas. Antes de usar el aparato, por favor pida consejo a un profesional. Cuando el aparato se enciende por primera vez, suele sentirse cierto olor. Esto es normal y desaparece al poco tiempo.

- Este aparato contiene piezas que llevan voltaje. Por lo tanto NO abra la carcasa.
- No coloque objetos metálicos o vierta líquidos dentro del aparato. Podría producir descargas eléctricas y fallos en el funcionamiento.
- No coloque el aparato cerca de fuentes de calor tipo radiadores, etc. No coloque el aparato en superficies vibratorias. No tape los agujeros de ventilación.
- Este aparato no está preparado para un uso continuado.
- Tenga cuidado con el cable de alimentación y no lo dañe. Un daño o defecto en el cable de alimentación puede producir una descarga eléctrica o fallo en el funcionamiento.
- Cuando desconecte el aparato de la toma de corriente, siempre tire de la clavija, nunca del cable.
- No enchufe o desenchufe el aparato con las manos mojadas.
- Si la clavija y/o el cable de alimentación están dañados, necesitan reemplazarse por un técnico cualificado.
- Si el aparato está dañado de modo que puedan verse sus partes internas, NO conecte el aparato a la toma de corriente y NO lo encienda. Contacte con su distribuidor. NO conecte el aparato a un reostato o dimmer.
- Para evitar un fuego o peligro de descarga, no exponga el aparato a la lluvia y a la humedad.
- Todas las reparaciones deben llevarse a cabo exclusivamente por técnicos cualificados.
- Conecte el aparato a una toma de corriente con toma de tierra (220-240Vca/50Hz) protegida por un fusible de 10-16A.
- Durante una tormenta o si el aparato no va a usarse durante un periodo largo de tiempo, desconéctelo de la toma de corriente. La regla es: Desconéctelo si no lo va a usar.
- Si el aparato no se ha usado en mucho tiempo puede producirse condensación. Deje el aparato a temperatura ambiente antes de encenderlo. Nunca utilice el aparato en ambientes húmedos o en el exterior.
- Durante el funcionamiento, la carcasa se calienta muchísimo. No la toque durante el funcionamiento o inmediatamente después.
- Para prevenir accidentes en las empresas, debe seguir las directrices aplicables y seguir las instrucciones.
- Asegure el aparato con una cadena de seguridad extra si el aparato se monta en un techo. Utilice un sistema de truss con ganchos. Asegúrese de que nadie permanezca en el área de montaje. Monte el efecto a una distancia de al menos 50cm de materiales inflamables y deje un espacio de al menos 1 metro a cada lado para permitir que haya suficiente ventilación.
- Este aparato contiene LEDs de alta luminosidad. No mire a la luz del LED para evitar daños en su vista.
- No lo apague y encienda repetidamente. Esto acorta su tiempo de vida.
- Mantenga el aparato fuera del alcance de los niños. No deje el aparato sin vigilancia.
- No utilice sprays limpiadores para limpiar los interruptores. Los residuos de estos sprays producen depósitos de polvo y grasa. En caso de mal funcionamiento, siempre consulte a un profesional.
- Solo maneje el aparato con las manos limpias.
- No fuerce los controles.
- Si el aparato se ha caído, siempre haga que lo verifique un técnico cualificado antes de encenderlo otra vez.
- NO utilice productos químicos para limpiar el aparato. Dañan el barniz. Tan solo límpielo con un trapo seco.
- Manténgalo lejos de equipos electrónicos ya que pueden producir interferencias.
- Solo utilice recambios originales para las reparaciones, de otro modo pueden producirse daños serios y/o radiaciones peligrosas.
- Apague el aparato antes de desconectarlo de la toma de corriente y/o de otros equipos. Desconecte todos los cables y conexiones antes de mover el aparato.
- Asegúrese de que el cable de alimentación no puede dañarse cuando la gente lo pise. Compruebe el cable de alimentación antes de cada uso por si hay daños o defectos.
- El voltaje de funcionamiento es 220-240Vca/50Hz. Compruebe que la toma de corriente coincide. Si tiene que viajar, asegúrese de que el voltaje del país es el adecuado para este aparato.
- Guarde el embalaje original para poder transportar el aparato en condiciones seguras.



Esta señal advierte al usuario de la presencia de alto voltaje en el interior de la carcasa y que es de la suficiente magnitud como para producir una descarga eléctrica.



Esta señal advierte al usuario de que el manual contiene instrucciones importantes que han de leerse y seguirse al pie de la letra.



**NO MIRE DIRECTAMENTE A LA S LENTES.** Puede dañarle la vista. Las personas propensas a tener ataques epilépticos deben tener en cuenta los efectos que este efecto de luces puede tener en ellos. Este aparato ha obtenido el certificado CE. Está prohibido hacer cambios en el aparato. ¡Invalidaría el certificado CE y su garantía!

**NOTA:** Para asegurarse de que el aparato funcione correctamente, debe usarse en ambientes a una temperatura de entre 5°C/41°F y 35°C/95°F.



Los productos electrónicos no pueden tirarse a la basura normal. Por favor lleve este producto a un centro de reciclaje. Pregunte a la autoridad local en caso de duda. Las especificaciones son generales. Los valores actuales pueden variar de una unidad a otra. Las especificaciones pueden variar sin previo aviso.

## INSTRUCCIONES DE DESEMBALAJE

**ATENCIÓN!** Inmediatamente después de recibir un dispositivo, desempaqué cuidadosamente la caja de cartón, compruebe el contenido para asegurarse de que todas las partes están presentes, y se han recibido en buenas condiciones. Notifique inmediatamente al transportista y conserve el material de embalaje para la inspección por si aparecen daños causados por el transporte o el propio envase muestra signos de mal manejo. Guarde el paquete y todos los materiales de embalaje. En el caso de que deba ser devuelto a la fábrica, es importante que el aparato sea devuelto en la caja de la fábrica y embalaje originales.

Si el aparato ha estado expuesto a grandes cambios de temperatura (tras el transporte), no lo enchufe inmediatamente. La condensación de agua producida podría dañar su aparato. Deje el dispositivo apagado hasta que se haya alcanzado la temperatura ambiente..

## FUENTE DE ALIMENTACIÓN

En la etiqueta de la parte trasera del controlador se indica el tipo de fuente de alimentación que debe ser conectado. Compruebe que la tensión de red corresponda a esto, todos los otros voltajes a la especificada, puede causar efectos irreparable. El controlador también debe estar conectado directamente a la red para ser utilizado. No en ninguna fuente de alimentación o dimmer ajustable.

## INSTALACIÓN



**PRECAUCIÓN:** Por favor, considere las normas nacionales respectivas durante la instalación! La instalación sólo debe ser realizada por un empleado autorizado o distribuidores!

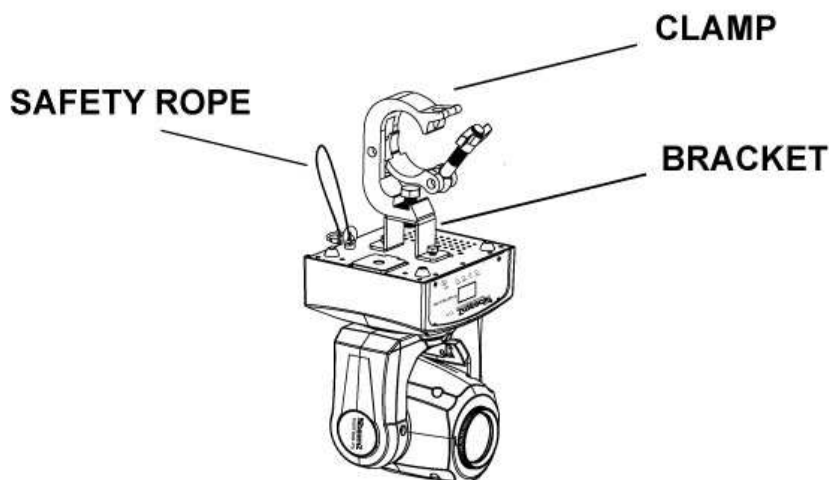


### Atención:

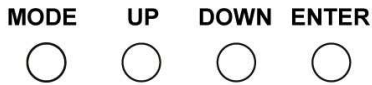
- La instalación del aparato debe ser de una manera que pueda soportar 10 veces su peso durante 1 hora sin sufrir deformaciones dañosas.
- La instalación siempre debe ser efectuada con un accesorio de seguridad secundario, por ejemplo, una red de anclaje adecuada. Este accesorio de seguridad secundario debe ser construido de una manera que ninguna parte de la instalación puede caer si falla el accesorio principal.
- Asegúrese de que el área por debajo del sitio de instalación está libre de personas ajenas durante el montaje, desmontaje y reparación.
- El operador tiene que asegurarse de que las instalaciones de seguridad y de máquinas son inspeccionadas por un perito antes de poner en funcionamiento por primera vez y antes de tomar otra puesta en marcha.
- El operador tiene que asegurarse de que las instalaciones de seguridad y de máquinas son inspeccionadas por un especialista una vez por año.
- El aparato debe instalarse en la posición en la que las personas no puedan llegar y donde las personas puedan caminar o sentarse.



**PRECAUCIÓN:** Al instalar el aparato, asegúrese de que no hay material altamente inflamable (artículos de decoración, etc.) en una distancia mínima de 0,5 metros.



## PANEL DE CONTROL (DISPLAY)



The El panel de control ofrece varias características: puede simplemente asignar la dirección de inicio, ejecutar el programa de pre-programado o hacer un reset.

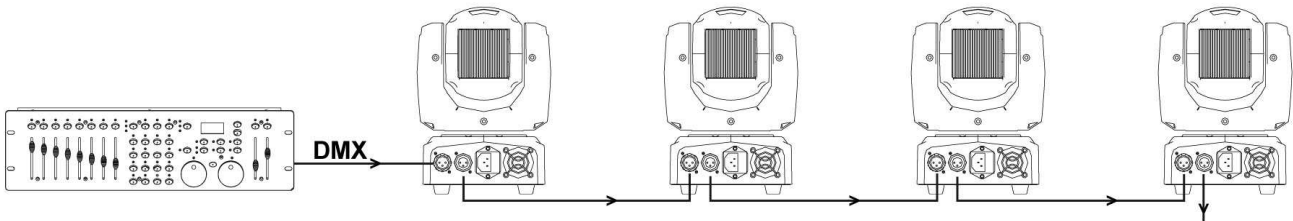
Al menú principal se accede pulsando la tecla **Esc/Modo**, se navega por el submenú pulsando arriba o abajo.

Pulse el botón **Enter** para seleccionar el menú deseado. Usted puede cambiar la selección pulsando arriba o abajo. Confirme cada selección pulsando la tecla Intro.

Puede abandonar cada modo pulsando el botón **ESC/Modo**.

## CONEXIÓN DMX-512

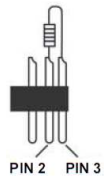
Si está utilizando un controlador DMX estándar, puede conectar la salida DMX del controlador directamente a la entrada DMX de la primera unidad en la cadena DMX. Siempre conecte la salida de una unidad con la entrada de la siguiente unidad hasta que todas las unidades estén conectadas.



### Conectores 5-pin XLR DMX.

Algunos fabricantes utilizan cables de datos de 5-pin DMX-512 para la transmisión de datos en lugar de 3-pin. Los aparatos DMX de 5-pin se pueden implementar en una línea DMX de 3 pines. Al insertar cables de datos standards de 5 pines en una línea de 3 pines un adaptador de cable debe ser utilizado. La tabla a continuación detalla una conversión adecuada de cable.

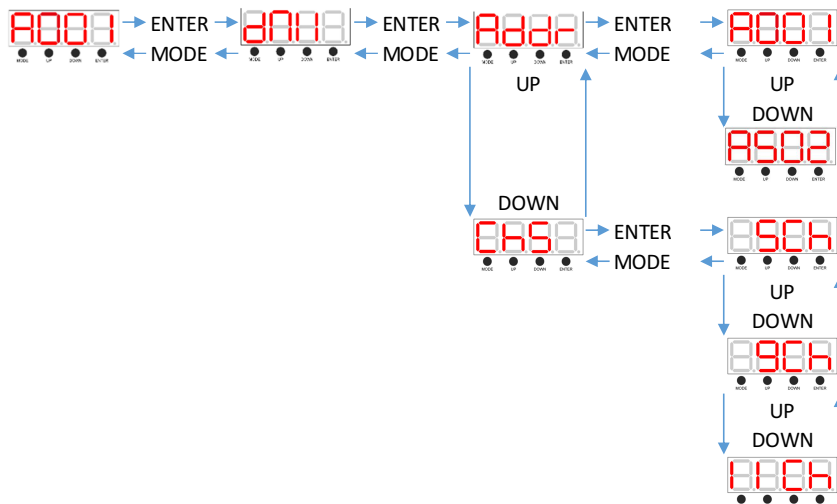
Conversión 3-Pin XLR to 5-Pin XLR		
Conductor	3-Pin XLR Hembra (Out)	5-Pin XLR Macho (In)
Masa / Tierra	Pin 1	Pin 1
Enviar datos (- señal)	Pin 2	Pin 2
Datos True (+ señal)	Pin 3	Pin 3
No se utiliza		Pin 4 – No se utiliza
No se utiliza		Pin 5 – No se utiliza



En el último aparato, el cable DMX tiene que finalizar. Soldar un resistor de 120 ohmios entre la señal (-) y la señal (+) en un conector XLR de 3 pines, que conectará a la salida DMX del último aparato en la cadena.

### Seleccionando la dirección de inicio DMX y el modo DMX.

Pulse el botón ENTER hasta que "DMX", "SET" aparezca en la pantalla. Ahora use los botones arriba y abajo para seleccionar el elemento de menú "DMX" y confirmar con la tecla ENTER. "ADDR" aparece ahora en la pantalla y pulsando ENTER una vez más, se puede seleccionar la dirección de inicio DMX como se desee utilizando los botones arriba y abajo (A001 - A5002). Después de confirmar con ENTER, "SAVE" aparece brevemente en la pantalla. Para establecer el modo de funcionamiento DMX, seleccione la opción de menú "DMX", pulse ENTER y luego utilice los botones ARRIBA y ABAJO para seleccionar el elemento de menú "CHS". Pulse ENTER y utilice los botones ARRIBA y ABAJO para seleccionar el modo DMX deseado (5CH, 9Ch, 11CH). Después de confirmar con ENTER, "SAVE" aparece brevemente en la pantalla. El control síncrono de múltiples focos (mismo modelo) a través de una unidad de control DMX (por ejemplo DMX consola) se puede lograr mediante la asignación de los reflectores a un DMX idéntica dirección de inicio y el modo DMX y la conexión mediante cables DMX.



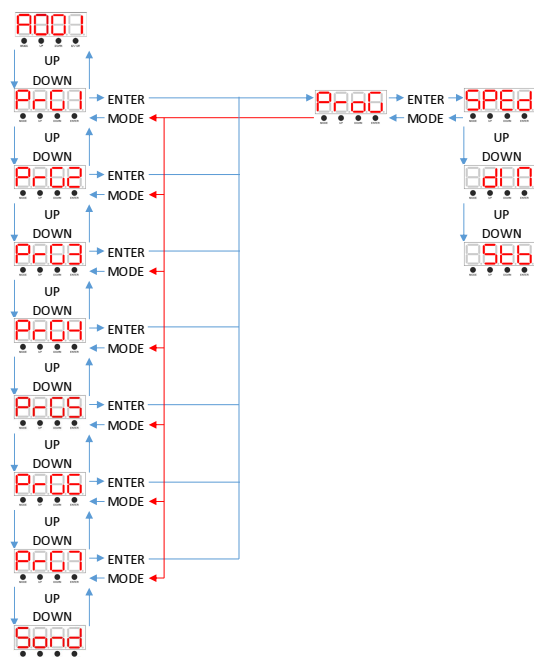
## PROGRAMAS AUTO

Modo show: Este modo permite a las unidades ya sea una sola unidad o varias unidades entre sí, ejecutar uno de los siete shows que elija.

1. Pulse el botón hacia arriba o hacia abajo hasta que aparezca uno de los siete programas, y pulse ENTER. El cuadro siguiente detalla una correcta conversión de la estructura del menú.
2. Al elegir uno de los siete programas y pulsar ENTER, puede cambiar SPEED, DIM y STROBE.

### MODO SONIDO

Presione el botón "arriba" o "abajo" para seleccionar "Sound".



## FUNCIONES PRINCIPALES

### Invertir pantalla

Pulse el botón MODE hasta que vea en la pantalla "SET", pulse "ENTER" use los botones "UP" o "Down" hasta que la pantalla muestre "RDIS", presione "ENTER" y podrá cambiar entre "OFF" o "ON".

**OFF:** Para visualizar el display con la unidad trabajando en el suelo.

**ON:** Para visualizar el display con la unidad colgada del revés.

### Invertir Pan

Pulse el botón MODE hasta que vea en pantalla "SET" pulse "ENTER" utilice el botón "UP" o "abajo" hasta "MSET" en la pantalla, pulse "ENTER" O "A" o "NACL" se mostrará. Seleccione "NCAL" pulse "ENTER" utilice "UP" o el botón "abajo" hasta que se visualice "PAN", pulse "ENTER" seleccionar la prensa "REV" "ENTER" se puede seleccionar "NO" (Normal) o "Sí" (inversión Pan).

### Invertir Tilt

Pulse el botón MODE hasta que vea en pantalla "SET" pulse "ENTER" utilice el botón "UP" o "abajo" hasta "MSET" en la pantalla, pulse "ENTER" O "A" o "NACL" se mostrará. Seleccione "NCAL" pulse "ENTER" utilice "UP" o el botón "abajo" hasta que se visualice "TILT", pulse "ENTER" seleccionar la prensa "REV" "ENTER" se puede seleccionar "NO" (Normal) o "Sí" (inversión de inclinación).

### la pantalla LED después de 20 segundos apagada

Pulse el botón MODE hasta que vea en pantalla "SET" pulse "ENTER" utilice "UP" o el botón "abajo" hasta que se visualice "CLDI", pulse "ENTER" O "ON" (Después de 20 seg llevó pantalla apagada) o " OFF "en la pantalla (pantalla LED).

### Reset

Pulse el botón MODE hasta que vea en pantalla "SET" pulse "ENTER" uso "UP" o el botón "abajo" hasta que se visualice "RST", pulse "ENTER" O "OFF" o "ON" en la pantalla.

### MODO Sonido

Pulse el botón MODE hasta que vea en pantalla "SET" pulse "ENTER" utilice "UP" o el botón "abajo" hasta que se visualice "MIC", pulse "ENTER" y seleccionar la sensibilidad de sonido entre el valor 0 y 100. Pulse la tecla " ENTER "para su confirmación después de la selección de valor.



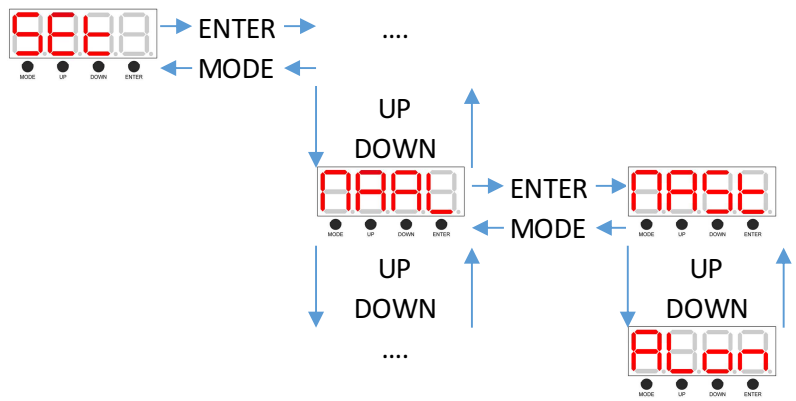
## CONEXION MAESTRO ESCLAVO

1. Conectar el conector lateral 3 pin (macho) del cable DMX a la salida (hembra) 3 pines del primer aparato.

2. Conectar el extremo del cable que viene del primer aparato que tendrá un conector de 3 pines (hembra), al conector de entrada del próximo aparato que consta de un conector de 3 contactos (macho). A continuación, proceder a la conexión desde la salida como se ha indicado anteriormente a la entrada del siguiente aparato y así sucesivamente.

3. Pulse el botón MODE hasta que vea en pantalla "SET", pulse "ENTER" utilice el botón "UP" o "DOWN" hasta que se visualice "MAAL", pulse "ENTER" y se mostrará "MAST" o "ALON".

4. Pulse los botones ARRIBA o ABAJO hasta que se muestre la configuración deseada, pulse ENTER para confirmar.  
 NOTA: En una configuración maestro / esclavo puede configurar un aparato a dominar y luego configurar el siguiente dispositivo como "ALON", los aparatos tendrán ahora el movimiento contrario a la otra.



## CONTROL REMOTO

Para controlar la Cabeza Móvil fácilmente a través del mando a distancia suministrado, debe apuntar el control remoto hacia la parte delantera del aparato y estar no más de 30 pies de distancia.

### STAND BY

Para activar el mando a distancia debe de cambiar el dispositivo en modo de espera con la tecla "STANDBY" en el control remoto, la pantalla muestra ahora STOP.



### FULL ON

A continuación, puede encender la unidad presionando la tecla "FULL ON", ahora el LED se iluminará. La pantalla muestra ahora UHL.



La operación con el mando continua tal y como se muestra:

### GOBO Set:

Pulse "GOBO" y luego presione una de las teclas numéricas, seleccione el gobo correcto.

### Color Setting:

Presione "COLOR" y luego presione una de las teclas numéricas, seleccione el color.

### Strobe Setting:

Pulse "Strobe" y luego presione el de las teclas numéricas, seleccione Velocidad.

Con las teclas "DIMMER +" y "DIMMER -" se puede ajustar la intensidad de la luz.

### Ajustando el programa:

Presione el botón "SHOW", seguido de un número de botones para el programa deseado.

Ahora puede pulsar el botón "SOUND NO" para activarlo.

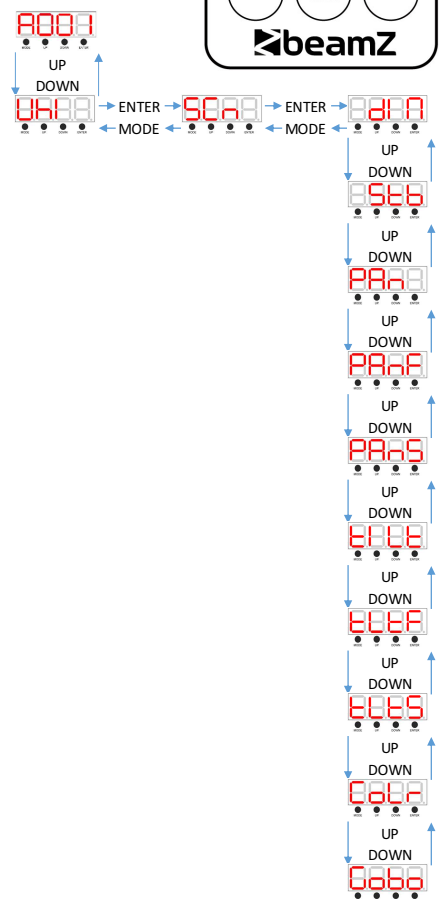
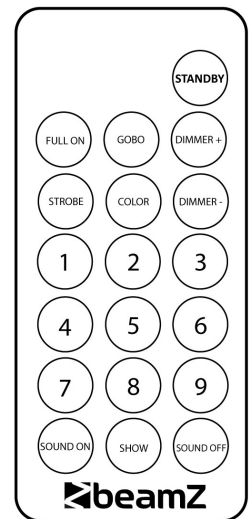
Con el botón "SOUND OFF", el aparato vuelve al modo automático.

### Ajustes UHI

Pulse el botón "Up" o "Down" hasta que vea en pantalla "UHI" pulse "ENTER" y utilice el botón "UP" o "DOWN" hasta ver "SCN", pulse "ENTER". Puede cambiar el Dim, STB (Strobe), Pan, PanF (Pan fino), PanS (velocidad Pan), inclinación, Tilt (inclinación fina), Tilts (velocidad de inclinación), color (color) o el cambio de Gobo.

Si el cambio de giro o inclinación del aparato cambian, el aparato siempre vuelve a esta posición. Por defecto al estado predeterminado de 128 (posición inicial).

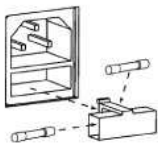
Utilice el botón "UP" o "Abajo" para ajustar.



## CAMBIANDO EL FUSIBLE

Si el fusible está defectuoso, reemplace el fusible por un fusible del mismo tipo y valor. Antes de sustituir el fusible, desconectar de la corriente.

Procedimiento:



Paso 1: Abra el portafusibles del panel trasero con un destornillador adecuado.

Paso 2: Retire el fusible viejo del portafusibles.

Paso 3: Instale el fusible nuevo en el portafusibles.

Paso 4: Vuelva a colocar el portafusibles en la caja.

## LIMPIEZA

La limpieza de lentes y / o espejos internos y externos debe ser llevada a cabo periódicamente para optimizar la salida de luz. La frecuencia de limpieza depende del entorno en el que funcione el aparato: humedad, a humo o especialmente sucios rodea puede causar una mayor acumulación de polvo en las ópticas de la unidad.

- Asegúrese de que el área por debajo del sitio de instalación está libre de personas ajenas durante la reparación.
- Carcasas, fijaciones y puntos de instalación (techos, armaduras, suspensiones) deberán estar totalmente libres de ninguna deformación.
- Los cables de red deberán estar en perfecto estado y deberán reemplazarse inmediatamente cuando se detecta incluso un pequeño problema.
- Para proteger el aparato de sobrecalentamiento, los ventiladores de refrigeración (si las hubiera) y las aberturas de ventilación deberán limpiarse mensualmente.
- El interior del aparato debería ser limpiado anualmente usando una aspiradora o chorro de aire.
- Limpie con un paño suave utilizando un fluido normal de limpieza de cristales.
- Seque siempre las piezas con cuidado.
- Limpie las ópticas externas al menos cada mes. Limpie los elementos ópticos internos al menos cada 30/60 días..

**ATENCIÓN: Se recomienda encarecidamente que la limpieza interna sea llevada a cabo por trabajador cualificado!**

## SOLUCIÓN DE PROBLEMAS

Esta sección describe algunos problemas comunes que pueden ocurrir durante la operación y ofrece algunas sugerencias para resolver problemas sencillos:

Síntoma	Causa Potencial	Remedios
No hay luz o los ventiladores no funcionan.	fusible fundido, conector defectuoso o cable dañado.	Compruebe si el indicador de energía del dispositivo LED está encendido Compruebe todas las conexiones de alimentación y cables. Cambiar el fusible.
No reacciona al ritmo de la música	Activación por sonido desactivada. Sensibilidad de activación del sonido muy baja.	Asegúrese de que no está conectado a una señal DMX. Ajustar la sensibilidad de activación de sonido. Toque en el micrófono para comprobar su correcto funcionamiento.
Uno de los canales de control no responde, o sólo responde intermitentemente.	Fallo en la configuración DMX o enlace Daños en el motor o el paso conexión de cable entre la cabeza y el cuerpo.	Véase la sección siguiente. Contacte a su distribuidor Beamz autorizado por Tronios o centro de servicio de asistencia.
No responde a control DMX	Direccionamiento DMX incorrecto. Fallo en la línea DMX, debido a conector dañado o cable, o interferencia de proximidad a una instalación de alto voltaje	Asegúrese que corresponden las direcciones DMX con la dirección establecida en el dispositivo de control DMX. Compruebe todos los cables y conexiones DMX. Asegúrese de que el enlace DMX se termina. Que todos los componentes en línea DMX utilizan polaridad DMX estándar. Intentar controlar el dispositivo con otro dispositivo de control DMX.

Nous vous remercions d'avoir acheté un appareil Beamz. Veuillez lire la présente notice avant l'utilisation afin de pouvoir en profiter pleinement.

Veuillez lire la notice avant utilisation. Respectez impérativement les instructions afin de continuer à bénéficier de la garantie. Prenez toutes les précautions nécessaires pour éviter tout incendie ou décharge électrique. Seul un technicien spécialisé peut effectuer les réparations. Nous vous conseillons de conserver la présente notice pour pouvoir vous y reporter ultérieurement.

- Avant d'utiliser l'appareil, prenez conseil auprès d'un spécialiste. Lors de la première mise sous tension, il est possible qu'une odeur soit perceptible. C'est normal, l'odeur disparaîtra peu de temps après.
- L'appareil contient des composants porteurs de tension. **N'OUVREZ JAMAIS** le boîtier.
- Ne placez pas des objets métalliques ou du liquide sur l'appareil, cela pourrait causer des décharges électriques et dysfonctionnements.
- Ne placez pas l'appareil à proximité de sources de chaleur, par exemple radiateur. Ne positionnez pas l'appareil sur une surface vibrante. N'obtenez pas les ouïes de ventilation.
- L'appareil n'est pas conçu pour une utilisation en continu.
- Faites attention au cordon secteur, il ne doit pas être endommagé.
- Lorsque vous débranchez l'appareil de la prise secteur, tenez-le par la prise, ne tirez jamais sur le cordon.
- Ne branchez pas et ne débranchez pas l'appareil avec les mains mouillées.
- Seul un technicien spécialisé peut remplacer la fiche secteur et / ou le cordon secteur.
- Si l'appareil est endommagé et donc les éléments internes sont visibles, ne branchez pas l'appareil, **NE L'ALLUMEZ PAS**. Contactez votre revendeur. **NE BRANCHEZ PAS** l'appareil à un rhéostat ou un dimmer.
- Pour éviter tout risque d'incendie ou de décharge électrique, n'exposez pas l'appareil à la pluie ou à l'humidité.
- Seul un technicien habilité et spécialisé peut effectuer les réparations
- Branchez l'appareil à une prise 220-240 V/50 Hz avec terre, avec un fusible 10-16 A.
- Pendant un orage ou en cas de non utilisation prolongée de l'appareil, débranchez l'appareil du secteur.
- En cas de non utilisation prolongée de l'appareil, de la condensation peut être créée. Avant de l'allumer, laissez l'appareil atteindre la température ambiante. Ne l'utilisez jamais dans des pièces humides ou en extérieur.
- Pendant le fonctionnement, le boîtier est très chaud. Ne le touchez pas pendant le fonctionnement et juste après.
- Afin d'éviter tout accident en entreprise, vous devez respecter les conseils et instructions.
- Assurez l'appareil avec une élingue de sécurité s'il doit être monté au plafond. Utilisez un système de crochets. Assurez-vous que personne ne puisse se trouver sous l'appareil. Il doit être monté à 50 cm au moins de tout matériau inflammable et à un mètre au moins de toute surface pour garantir son bon refroidissement.
- Cet appareil contient des LEDs de grande intensité. Ne regardez pas directement les LEDs pour éviter tout troubles de la vision.
- N'allumez pas et n'éteignez pas l'appareil de manière répétée. Cela réduit sa durée de vie.
- Conservez l'appareil hors de la portée des enfants. Ne laissez pas l'appareil sans surveillance.
- N'utilisez pas d'aérosols pour nettoyer les interrupteurs. Les résidus créent des dépôts et de la graisse. En cas de dysfonctionnement, demandez conseil à un spécialiste.
- Ayez toujours les mains propres pour utiliser l'appareil.
- Ne forcez pas les réglages.
- Si l'appareil est tombé, faites-le toujours vérifier par un technicien avant de le rallumer.
- Pour nettoyer l'appareil, n'utilisez pas de produits chimiques qui abîment le revêtement, utilisez uniquement un tissu sec.
- Tenez toujours l'appareil éloigné de tout équipement électrique pouvant causer des interférences.
- Pour toute réparation, il faut impérativement utiliser des pièces d'origine, sinon il y a risque de dommages graves et / ou de radiations dangereuses.
- Eteignez toujours l'appareil avant de le débrancher du secteur et de tout autre appareil. Débranchez tous les cordons avant de déplacer l'appareil.
- Assurez-vous que le cordon secteur n'est pas abîmé si des personnes viennent à marcher dessus. Avant toute utilisation, vérifiez son état.
- La tension d'alimentation est de 220-240 V~/50 Hz. Vérifiez la compatibilité. Si vous voyagez, vérifiez que la tension d'alimentation du pays est compatible avec l'appareil.
- Conservez l'emballage d'origine pour pouvoir transporter l'appareil en toute sécurité.



Ce symbole doit attirer l'attention de l'utilisateur sur les tensions élevées présentes dans le boîtier de l'appareil, pouvant engendrer une décharge électrique.



Ce symbole doit attirer l'attention de l'utilisateur sur des instructions importantes détaillées dans la notice, elles doivent être lues et respectées.



**NE REGARDEZ PAS DIRECTEMENT LA LENTILLE.** Cela peut créer des troubles de la vision. Les personnes photosensibles et épileptiques doivent prendre en compte les effets que ce jeu de lumière peut causer.

Cet appareil porte le symbole CE. Il est interdit d'effectuer toute modification sur l'appareil. La certification CE et la garantie deviendraient caduques !

**NOTE:** Pour un fonctionnement normal de l'appareil, il doit être utilisé en intérieur avec une plage de température maximale autorisée entre 5°C/41°F et 35°C/95°F.



Ne jetez pas les produits électriques dans la poubelle domestique. Déposez-les dans une déchetterie. Demandez conseil aux autorités locales ou à votre revendeur. Données spécifiques. Les valeurs actuelles peuvent légèrement varier d'un appareil à l'autre. Tout droit de modification réservé sans notification préalable.

## INSTRUCTIONS DE DEBALLAGE

**ATTENTION !** Immédiatement après réception, vérifiez le contenu du carton et assurez-vous que tous les éléments sont bien présents et en bon état. Si besoin, faites les réserves nécessaires si le matériel ou les cartons sont endommagés. Si l'appareil doit être retourné, faites-le dans l'emballage d'origine.

Si l'appareil a été exposé à des fluctuations importantes de températures (par exemple après le transport), ne l'allumez pas immédiatement. De la condensation peut survenir. Laissez l'appareil éteint le temps qu'il atteigne la température ambiante.

## ALIMENTATION

Vous trouvez sur l'étiquette à l'arrière de l'appareil, le type d'alimentation à utiliser. Vérifiez que la tension d'alimentation corresponde à celle mentionnée. Toute autre alimentation peut endommager l'appareil. Reliez l'appareil au secteur, il est prêt à être utilisé. En aucun cas, vous ne devez utiliser de dimmer ou d'alimentation réglable.

## INSTALLATION



**ATTENTION :** Lors de l'installation, tenez compte des normes nationales respectives ! Seuls des revendeurs et installateurs habilités peuvent procéder à l'installation.

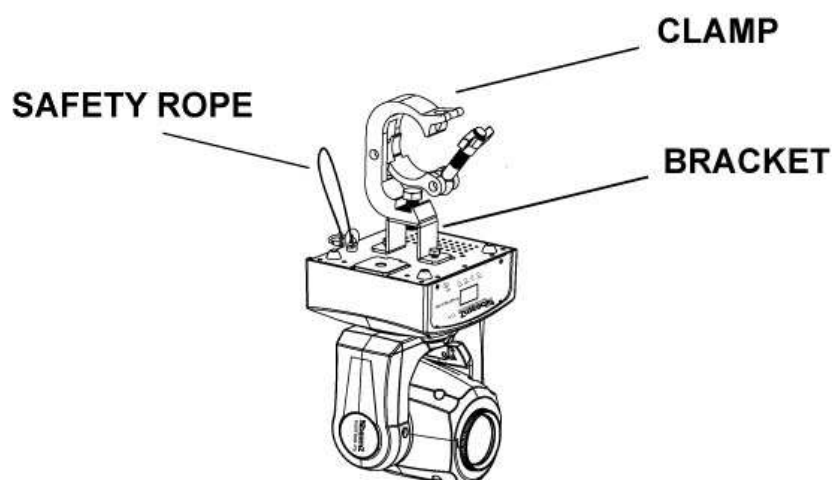


### Attention:

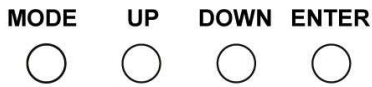
- L'installation de l'appareil doit être pensée et réalisée de telle sorte que le support de fixation puisse supporter 10 fois le poids de l'appareil pendant une heure sans aucune déformation.
- L'installation doit toujours être assurée par un second système de fixation, par exemple un filet ou une élingue. Ce second système doit être conçu de telle sorte que aucun élément de l'installation ne puisse tomber si la fixation principale venait à rompre.
- Assurez-vous que la zone sous l'emplacement de montage ne puisse pas accueillir de public pendant le montage, le démontage et l'utilisation.
- Le responsable du fonctionnement doit faire approuver par un expert les conditions d'installation et d'utilisation de l'appareil avant la première mise en service et après tout changement.
- Le responsable du fonctionnement doit faire approuver par un expert les conditions d'installation et d'utilisation de l'appareil, une fois par an.
- L'appareil doit être installé de telle sorte que personne ne puisse l'atteindre, passer dessous ou être assis.



**ATTENTION :** Lorsque vous installez l'appareil, assurez-vous qu'il n'y a aucun matériau fortement inflammable (décorations par exemple) à 0,5 mètres au moins de l'appareil.



## AFFICHAGE



Le panneau de commande vous permet d'effectuer différents réglages : réglage de l'adresse de démarrage, gestion d'un programme pré-programmé, lancer un Reset. Le menu principal est accessible en appuyant sur la touche **Mode/Esc**, vous pouvez naviguer dans le sous-menu avec la touche **Up** ou **Down**.

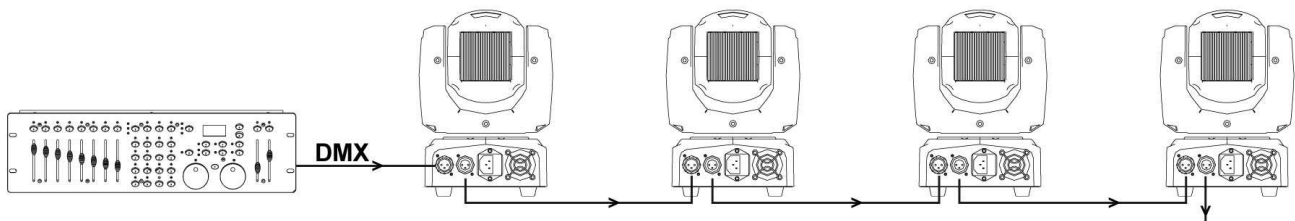
Appuyez sur la touche **Enter** pour choisir le menu souhaité.

Vous pouvez modifier la sélection en appuyant sur la touche **Up** ou **Down**. Confirmez la sélection en appuyant sur la touche **Enter**.

Vous pouvez quitter un mode en appuyant sur la touche **Mode/Esc**. Les fonctions sont décrites dans le tableau ci-dessous.

## BRANCHEMENT DMX-512

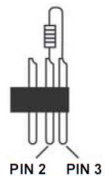
Si vous utilisez un contrôleur DMX classique, vous pouvez relier la sortie DMX du contrôleur directement à l'entrée DMX du premier appareil dans une chaîne DMX. Reliez toujours la sortie d'un appareil à l'entrée de l'appareil suivant jusqu'à ce que tous les appareils soient reliés.



### Connecteurs DMX XLR 5 pôles

Certains fabricants utilisent des cordons de transmission DMX-512 5 pôles pour la transmission des données à la place de cordons 3 pôles. Des appareils avec connexion DMX 5 pôles peuvent être utilisés dans une ligne DMX 3 pôles. Si vous utilisez des câbles de données 5 pôles dans une ligne 3 pôles, vous devez utiliser un adaptateur. Le tableau ci-dessous présente la modification du câble.

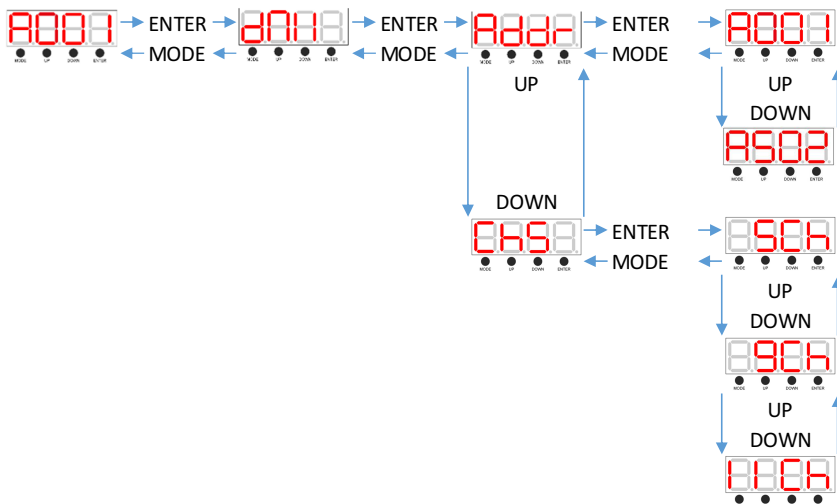
Conversion XLR 3 pôles en XLR 5 pôles		
Conducteur	XLR 3 P femelle (Out)	XLR 5 pôles mâle (In)
Terre / blindage	Pin 1	Pin 1
Data - (- signal)	Pin 2	Pin 2
Data + (+ signal)	Pin 3	Pin 3
Non utilisé		Pin 4 - ne pas utiliser
Non utilisé		Pin 5 - ne pas utiliser



Sur le dernier appareil, le cordon DMX doit être terminé par un bouchon. Soudez une résistance 120 ohms entre signal (-) et signal (+) sur une prise XLR 3 pôles et branchez-la à la sortie DMX du dernier appareil de la chaîne.

### Sélection de l'adresse de démarrage DMX et du mode DMX.

Appuyez sur la touche ENTER jusqu'à ce que "DMX", "SET" soit visible sur l'affichage. Utilisez les touches Up et Down pour sélectionner le point de menu "DMX" et confirmez en appuyant sur ENTER. "ADDR" est visible sur l'affichage, appuyez à nouveau sur ENTER, vous pouvez sélectionner l'adresse de démarrage DMX avec les touches Up et Down (A001 – A5002). Confirmez avec "ENTER", "SAVE" s'affiche brièvement. Pour régler le mode de fonctionnement DMX, sélectionnez le point de menu "DMX", appuyez sur ENTER puis utilisez les touches UP et DOWN pour sélectionner le point de menu "CHS". Appuyez sur ENTER et utilisez les touches UP et Down pour sélectionner le mode DMX voulu (5Ch, 9Ch, 11Ch). Confirmez avec ENTER, "SAVE" s'affiche brièvement. La gestion synchrone de plusieurs appareils (même modèle) via un contrôleur DMX (par exemple console DMX) peut être opérée via une assignation des appareils à une même adresse DMX de démarrage et un même mode DMX et en reliant les appareils entre eux avec des cordons DMX.



## PROGRAMMES AUTO

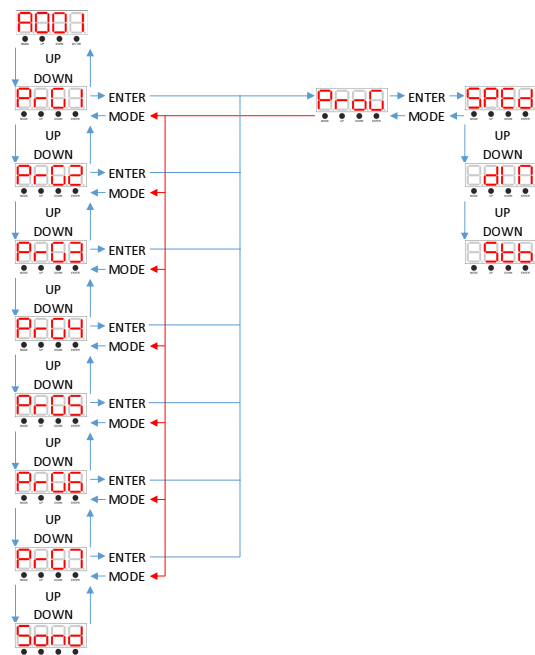
Mode Show : Ce mode permet soit à un seul appareil soit à plusieurs appareils reliés entre eux de faire défiler un des sept programmes à choisir.

Appuyez sur la touche Up ou Down jusqu'à ce qu'un des sept programmes soit affiché, appuyez ensuite sur ENTER. Le schéma ci-contre présente la structure du menu.

Une fois un des sept programmes choisi, appuyez sur ENTER, vous pouvez modifier la vitesse, le dimmer et le strobe : SPEED, DIM, STROBE.

### MODE SON

Appuyez sur la touche "Up" ou Down pour sélectionner "Sound".



## FONCTIONS PRINCIPALES

### Inversion affichage

Appuyez sur la touche MODE jusqu'à voir "SET" puis appuyez sur "ENTER" ; utilisez les touches UP et Down jusqu'à ce que "RDIS" soit visible sur l'affichage, puis appuyez sur ENTER. "OFF" ou "ON" est affiché.

**OFF:** Mode normal de l'affichage : pour un appareil posé sur le sol.

**ON:** Mode inversion de l'affichage pour un appareil suspendu, tête en bas.

### Inversion Pan

Appuyez sur la touche MODE jusqu'à voir "SET" puis appuyez sur "ENTER" ; utilisez les touches UP et Down jusqu'à ce que "MSET" soit affiché : appuyez ensuite sur ENTER. "BLTO" ou "NCAL" est affiché. Sélectionnez "NCAL" , appuyez sur "ENTER", utilisez les touches "UP" ou "Down" jusqu'à ce que "PAN" soit affiché ; appuyez sur ENTER, sélectionnez "REV" ; appuyez sur "ENTER", vous pouvez sélectionner "NO"(Normal) ou "Yes" (inversion PAN).

### Inversion Tilt

Appuyez sur la touche MODE jusqu'à voir "SET" puis appuyez sur "ENTER" ; utilisez les touche UP et Down jusqu'à ce que "MSET" soit affiché : appuyez ensuite sur ENTER. "BLTO" ou "NCAL" est affiché. Sélectionnez "NCAL" , appuyez sur "ENTER", utilisez les touches "UP" ou "Down" jusqu'à ce que "TILT" soit affiché ; appuyez sur ENTER, sélectionnez "REV" ; appuyez sur "ENTER", vous pouvez sélectionner "NO"(Normal) ou "Yes"(inversion tilt).

### Extinction affichage LEDs après 20 secondes

Appuyez sur la touche MODE jusqu'à voir "SET" puis appuyez sur "ENTER" ; utilisez les touche UP et Down jusqu'à ce que "CLDI" soit affiché, appuyez sur "ENTER" : soit "ON" (affichage éteint après 20 secondes) soit "OFF" (affichage allumé) est visible.

### Reset

Appuyez sur la touche MODE jusqu'à voir "SET" puis appuyez sur "ENTER" ; utilisez les touche UP et Down jusqu'à ce que "RST" soit affiché, appuyez sur "ENTER" : soit "OFF" soit "ON" est affiché.

### MODE Son

Appuyez sur la touche MODE jusqu'à voir "SET" puis appuyez sur "ENTER" ; utilisez les touche UP et Down jusqu'à ce que "MIC" soit affiché, appuyez sur "ENTER" et sélectionnez la sensibilité du son entre 0 et 100. Appuyez sur ENTER pour confirmer la sélection de la valeur.

## APPAREIL MASTER SLAVE

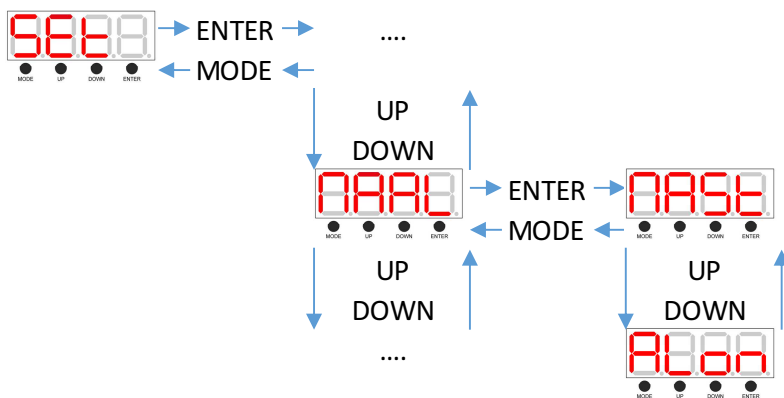
1. Reliez le connecteur mâle 3 pôles du cordon DMX à la sortie femelle 3 pôles du premier appareil.

2. Reliez l'extrémité du cordon venant du premier appareil avec le connecteur femelle à l'entrée de l'appareil suivant (connecteur mâle 3 pôles). Reliez ainsi la sortie à l'entrée de l'appareil suivant et ainsi de suite.

3. Appuyez sur la touche MODE : "SET" est visible sur l'affichage : appuyez sur "ENTER", appuyez sur UP ou DOWN jusqu'à ce que "MAAL" soit visible ; appuyez sur "ENTER". Soit "MAST" soit "ALON" est visible.

4. Appuyez sur la touche UP ou DOWN jusqu'à ce que le réglage souhaité soit visible, appuyez sur ENTER pour confirmer.

NOTE : dans une configuration Master/Slave, vous pouvez régler un appareil sur Master et régler l'appareil suivant sur "ALON"; les appareils auront un mouvement à l'inverse l'un de l'autre.



## TELECOMMANDE

Pour gérer facilement l'appareil avec la télécommande livrée, vous devez orienter la télécommande vers la face avant de l'appareil, et ne pas être à moins de 1 mètre.

### STAND BY

Pour activer la télécommande, mettez l'appareil en mode standby avec la touche STANDBY sur la télécommande, l'affichage indique STOP.



### FULL ON

Lorsque vous allumez l'appareil en appuyant sur la touche "FULL ON", la LED brille. L'affichage indique UHL.



### Fonctionnement avec la télécommande

#### Réglage GOBO:

Appuyez sur "GOBO" et appuyez sur une des touches numériques pour sélectionner le gobo.

#### Réglage Colour:

Appuyez sur "COLOR" et appuyez sur une des touches numériques pour sélectionner la couleur.

#### Réglage Strobe:

Appuyez sur "STROBE" et appuyez sur une des touches numériques pour sélectionner la vitesse.

Avec les touches "DIMMER +" et "DIMMER -" vous pouvez régler l'intensité lumineuse.

#### Réglage du programme :

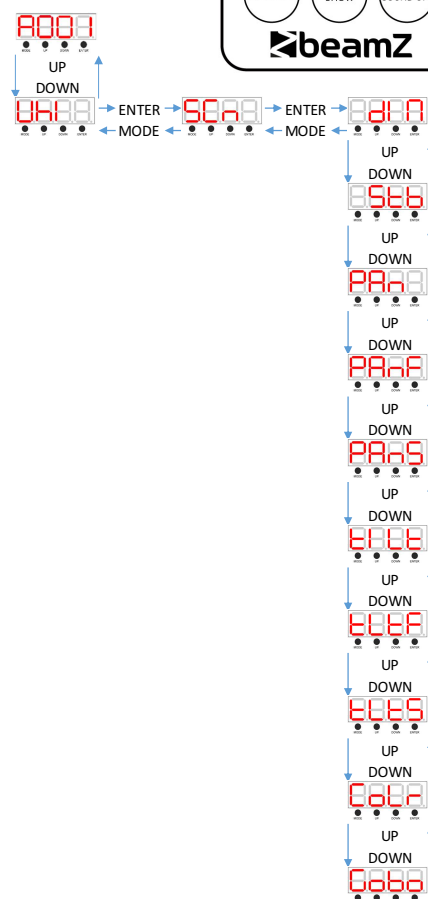
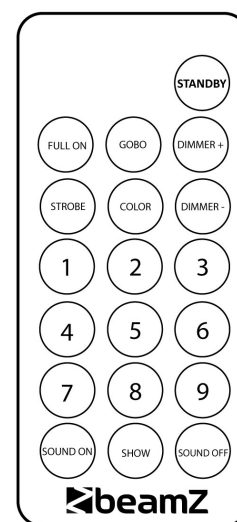
Appuyez sur la touche "SHOW" puis sur une touche numérique pour le programme souhaité. Vous pouvez appuyer sur la touche "SOUND NO" pour que l'appareil soit géré par le son.

Si vous sélectionnez "SOUND OFF" l'appareil revient au mode auto.

#### Réglage UHI

Appuyez sur la touche "UP" ou "Down" : l'affichage indique "UHI" : appuyez sur "ENTER", utilisez les touches "UP" ou "Down" jusqu'à ce que "SCN" soit affiché ; appuyez sur ENTER. Vous pouvez régler Dim, Stb (Strobe), Pan, Panf (Pan fine), Pans (Pan speed), Tilt, Tiltf (Tilt fine), Tits (Tilt speed), Colr (Color) ou le changement de gobo.

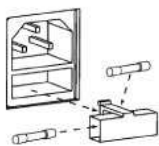
Si vous modifiez le pan ou tilt de l'appareil, l'appareil va toujours à cette position. Par défaut l'appareil est sur 128 (position de départ). Utilisez les touches UP ou Down pour régler la position de l'appareil.



## REPLACEMENT DU FUSIBLE

Si le fusible est défectueux, il faut le remplacer par un fusible de même type et de même valeur. Avant de le remplacer, veillez à débrancher l'appareil.

Procédure:



Etape 1: Ouvrez le porte-fusible sur le panneau arrière avec un petit tournevis.

Etape 2: Retirez l'ancien fusible.

Etape 3: Placez le nouveau fusible dans le porte-fusible.

Etape 4: Remettez le porte-fusible dans le boîtier.

## NETTOYAGE

Le nettoyage des lentilles optiques internes et externes et / ou miroirs doit être fait régulièrement pour un rendu lumineux optimal. La fréquence de nettoyage dépend de l'environnement d'utilisation : de la poussière, fumée ou un environnement très sale peuvent générer une accumulation importante de salissures sur les optiques.

- Assurez-vous que personne ne se trouve sous l'emplacement d'installation pendant le nettoyage.
- Les boîtiers, fixations et éléments d'installation (plafond, structures, suspensions) ne doivent présenter aucune déformation.
- Le cordon secteur ne doit pas présenter de dommage ; si un problème est détecté, il doit être immédiatement être remplacé.
- Pour protéger l'appareil de toute surchauffe, les ventilateurs et ouïes d'aération doivent être nettoyés tous les mois.
- L'intérieur de l'appareil doit être nettoyé tous les ans avec un compresseur.
- Pour le nettoyage, utilisez un tissu doux et du liquide de nettoyage pour vitres usuel.
- Séchez correctement tous les éléments.
- Nettoyez les optiques externes tous les mois au moins. Nettoyez les optiques internes tous les 30 à 60 jours au moins.

**ATTENTION** : Nous recommandons fortement que le nettoyage intérieur soit fait par un technicien qualifié.

## PROBLEMES

Ce tableau décrit certains problèmes fréquents pouvant survenir pendant le fonctionnement et les solutions possibles pour y remédier.

Problème	Cause possible	solutions
Pas de lumière venant de l'appareil, les ventilateurs ne fonctionnent pas.	Problème d'alimentation : fusible fondu, connecteur défectueux, câble endommagé	Vérifiez si la LED témoin de fonctionnement sur l'appareil brille. Vérifiez toutes les connexions et tous les câbles secteur. Remplacez le fusible.
L'appareil ne réagit pas au rythme de la musique.	La gestion audio est désactivée. La sensibilité est trop basse pour la source de musique.	Assurez-vous que l'appareil n'est pas relié à un signal DMX. Réglez la sensibilité du micro pour une gestion audio. Vérifiez le fonctionnement du microphone : l'appareil devrait réagir en mode gestion audio.
Un des canaux de commande ne répond pas ou répond par intermittence.	Erreur du réglage DMX ou de la connexion DMX. Moteur pas à pas endommagé, cordon entre la tête et le corps de l'appareil défectueux.	Voir point suivant. Contactez votre revendeur Tronios ou le service après-vente.
L'appareil ne répond pas à la gestion DMX.	Adressage DMX incorrect. Erreur dans la connexion DMX à cause d'un connecteur, d'un cordon défectueux ou interférences causées par une installation haute tension à proximité.	Assurez-vous que l'adresse DMX de l'appareil corresponde à l'adresse DMX de l'appareil. Vérifiez tous les câbles et branchements DMX. Vérifiez que tous les composants de la chaîne DMX utilisent la polarité DMX standard. Essayez d'utiliser l'appareil avec un autre contrôleur DMX. Si l'appareil est trop près d'une installation haute tension, déplacez-le ou mettez à la terre.



Gratulujemy zakupu urządzenia marki BeamZ. Proszę o przeczytanie instrukcji przed użyciem urządzenia, aby jak najlepiej móc wykorzystać jego możliwości.

Przeczytaj tę instrukcję przed pierwszym użyciem urządzenia. Postępuj zgodnie z instrukcją, aby nie utracić gwarancji. Zwróć uwagę na wszystkie ostrzeżenia, aby uniknąć pożaru lub/oraz porażenia prądem. Naprawy mogą być przeprowadzane jedynie przez autoryzowany serwis. Zatrzymaj tę instrukcję na wypadek potrzeby w przyszłości.

- Przed użyciem skonsultuj się ze specjalistą. Podczas pierwszego użycia urządzenie może wydzielić specyficzny zapach. To zupełnie normalne, zniknie po chwili.
- Urządzenie posiada podzespoły przewodzące prąd. Nie otwieraj obudowy urządzenia.
- Nie umieszczaj metalowych obiektów ani płynów w urządzeniu. Może to spowodować porażenie prądem lub uszkodzenie sprzętu.
- Nie umieszczaj w pobliżu takich źródeł ciepła jak grzejnik itd. Nie umieszczaj urządzenia na wibrującej powierzchni. Nie zasłaniaj kanałów wentylacyjnych.
- Urządzenie nie jest przeznaczone do ciągłej pracy.
- Pamiętaj, aby nie uszkodzić przewodu zasilającego. Uszkodzony przewód zasilający może spowodować porażenie prądem lub uszkodzenie sprzętu.
- Podczas wyjmowania wtyczki z gniazdka zawsze ciągnij za wtyczkę, nie za kabel.
- Nie wtykaj kabla mając mokre dłonie.
- Jeśli wtyczka lub/oraz kabel zasilający jest uszkodzony, musi być wymieniony przez wykwalifikowaną osobę.
- Jeśli urządzenie jest uszkodzone na tyle, że widoczne są części wewnętrzne, nie podłączaj sprzętu do gniazdka, ani go nie uruchamiaj. Skontaktuj się z dystrybutorem. Nie podłączaj urządzenia do opornika bądź dimmera.
- Aby uniknąć porażenia prądem, nie wystawiaj urządzenia na działanie warunków atmosferycznych ani na wilgoć.
- Sprzęt może być naprawiany tylko w autoryzowanym serwisie.
- Podłączaj urządzenie do uziemionego źródła zasilania (220-240Vac/50Hz) z bezpiecznikiem 10-16A.
- Podczas burzy lub w sytuacjach, gdy urządzenie nie jest używane przez dłuższy czas, odłącz je od gniazdka. Zasada brzmi: odłącz sprzęt od gniazdka, gdy go nie używasz.
- Jeśli urządzenie nie było używane przez dłuższy czas, może wystąpić kondensacja. Pozwól na to, aby sprzęt osiągnął temperaturę pokojową. Nigdy nie używaj w wilgotnych pomieszczeniach, bądź na zewnątrz.
- Podczas użytkowania znacznie wzrasta temperatura obudowy. Nie dotykaj jej w czasie pracy, bądź natychmiast po wyłączeniu urządzenia.
- Aby uniknąć wypadków w pracy, wykonuj polecenia zawarte w tej instrukcji.
- Zabezpiecz urządzenie dodatkowym łańcuchem bezpieczeństwa. Używaj wysokiej jakości haków. Upewnij się, że nikt nie stoi w pobliżu okolicy montażu. Montuj sprzęt w odległości co najmniej 50cm od materiałów łatwopalnych i zachowuj co najmniej 1m wolnej przestrzeni z każdej strony, aby zapewnić odpowiednie chłodzenie
- Urządzenie posiada diody LED wysokiej mocy. Nie patrz bezpośrednio na diody, aby nie uszkodzić wzroku.
- Nie włączaj i wyłączaj urządzenia co chwilę. Skraca to jego żywotność.
- Trzymaj z dala od dzieci. Nie zostawiaj sprzętu bez opieki.
- Nie używaj spray'ów do czyszczenia przełączników. To powoduje osiadanie się kurzu oraz tłuszczu. W przypadku usterki zasięgnij rady u specjalisty. Obsługuj urządzenie mając czyste ręce.
- Nie naciskaj przycisków z zbyt dużą siłą.
- Jeśli urządzenie upadnie, przed kolejnym włączeniem zawsze musi być sprawdzone przez wykwalifikowanego technika.
- Nie używaj chemikaliów do czyszczenia obudowy. Niszczą one lakier. Dokonuj czyszczenia za pomocą suchej szmatki.
- Trzymaj z dala od innej elektroniki, która może spowodować zakłócenia.
- Podczas serwisu używaj tylko oryginalnych części. W innym przypadku może nastąpić poważne uszkodzenie sprzętu, lub niebezpieczne promieniowanie.
- Wyłącz urządzenie przed wyciągnięciem kabla zasilającego. Odłącz wszystkie kable przed przenoszeniem sprzętu.
- Upewnij się, że nikt nie uszkodzi kabla zasilającego. Sprawdź przed każdym użyciem, czy kabel zasilający nie nosi znamion uszkodzenia.
- Urządzenie może pracować przy napięciu 220-240Vac/50Hz. Jeśli podróżujesz ze sprzętem, sprawdź, czy możesz je bezpiecznie podłączyć do prądu.
- Zachowaj oryginalny karton, aby móc transportować urządzenie w bezpiecznych warunkach.



Ten znak zwraca uwagę użytkownika na wysokie napięcie, które jest obecne w środku obudowy urządzenia. Napięcie jest wystarczające, aby porazić użytkownika.



Ten znak zwraca uwagę użytkownika do ważnych informacji, które znajdują się w instrukcji. Informacje te powinny być przeczytane oraz uwzględnione w codziennym użytkowaniu.



**NIE PATRZ BEZPOŚREDNIO NA SOCZEWKĘ.** Może to spowodować uszkodzenie wzroku. Stroboskop może spowodować atak epilepsji!

Urządzenie posiada certyfikat CE. **Nie wolno** wprowadzać żadnych zmian w urządzeniu. Każda modyfikacja sprzętu spowoduje utratę certyfikatu CE oraz gwarancji!

**UWAGA:** Urządzenie może funkcjonować w pomieszczeniach o temperaturze pomiędzy 5°C/41°F oraz 35°C/95°F.



**WAŻNA INFORMACJA:** Urządzenia elektryczne muszą być składowane w miejscach do tego przeznaczonych. Sprawdź, gdzie w Twojej okolicy znajduje się najbliższe centrum recyklingu. Specyfikacja techniczna poszczególnych urządzeniach może się nieznacznie różnić. Specyfikacja może ulec zmian bez powiadomień.

## INSTRUKCJA ROZPAKOWYWANIA

**OSTRZEŻENIE!** Natychmiast po odbiorze urządzenia, ostrożnie otwórz karton ochronny, oraz sprawdź zawartość i stan techniczny przedmiotu. Niezwłocznie powiadom kuriera oraz zachowaj opakowanie zewnętrzne do kontroli, jeśli jakkolwiek element zawartości wygląda na zniszczony w transporcie lub nosi objawy złego traktowania paczki. W takim wypadku należy niezwłocznie odesłać sprzęt do producenta. Sprzęt należy wysłać w oryginalnym opakowaniu.

Jeśli urządzenie było wystawione na działanie niskich temperatur (np. podczas transportu), nie uruchamiaj go od razu. Powstające zjawisko kondensacji widoy może uszkodzić urządzenie. Pozostaw urządzenie wyłączone, dopóki nie osiągnie temperatury pokojowej.

## ZASILANIE

Na naklejce z tyłu urządzenia znajduje się oznaczenie dotyczące rodzaju zasilania. Sprawdź, czy napięcie w gniazdku zgadza się z wymaganym przez producenta. Złe napięcie może spowodować nienaprawialne uszkodzenie urządzenia.



Zawsze podłączaj urządzenie do zabezpieczonego obwodu elektrycznego (za pomocą bezpiecznika lub wyłącznika instalacyjnego). Upewnij się, że urządzenie jest uziemione, aby uniknąć pożaru lub śmiertelnego porażenia prądem.

## INSTALACJA



**UWAGA:** Respektuj normy bezpieczeństwa dotyczące instalacji urządzenia. Instalacja może być przeprowadzona przez wykwalifikowanego pracownika bądź dystrybutora!

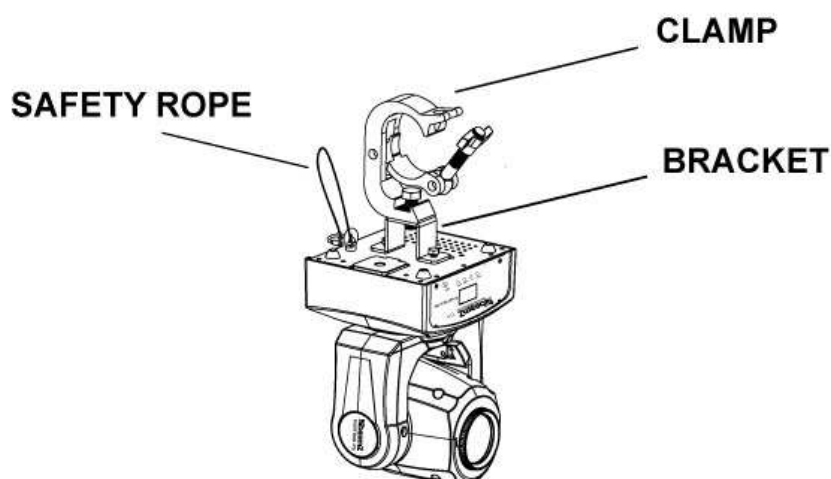


### Uwaga:

- Instalacja urządzenia powinna być przeprowadzona na konstrukcji, która jest w stanie utrzymać 10-krotność wagi sprzętu przez godzinę bez żadnych deformacji.
- Instalacja musi być zawsze dodatkowo zabezpieczona, np. linką bezpieczeństwa. Dodatkowe zabezpieczenie musi być skonstruowane w taki sposób, że żaden element instalacji nie spadnie w przypadku awarii głównego zabezpieczenia.
- Upewnij się, że przestrzeń pod instalacją jest wolna od osób postronnych podczas montażu, demontażu oraz serwisu.
- Operator musi się upewnić, że wszelkie instalacje są zaakceptowane przez eksperta przez użytkownikiem sprzętu. Takie instalacje muszą być kontrolowane co najmniej raz na rok.
- Urządzenie powinno być zamontowane w miejscu niedostępnym dla osób postronnych.



**UWAGA:** Podczas instalacji urządzenia upewnij się, że w pobliżu (0,5m od urządzenia) nie znajdują się materiały łatwopalne (np. dekoracje).



## WYŚWIETLACZ



MODE UP DOWN ENTER



Panel sterowania oferuje kilka funkcjonalności: możesz łatwo ustawić adresowanie DMX, włączyć gotowe programy lub zresetować urządzenie. Menu główne jest dostępne po naciśnięciu przycisku **Mode**. Możesz się poruszać w menu za pomocą przycisków **Up** oraz **Down**.

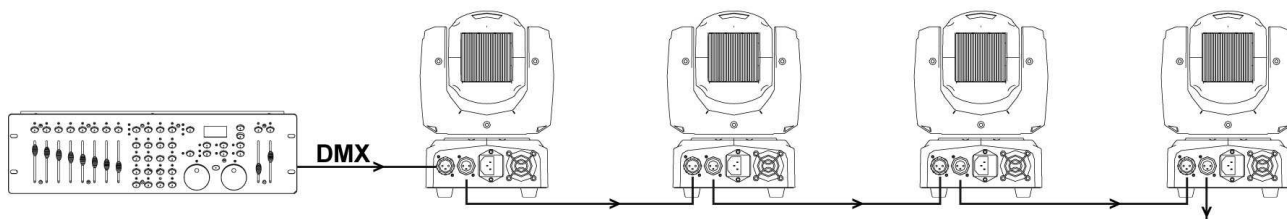
Naciśnij **Enter**, aby wybrać pożądany tryb.

Możesz zmienić wybór naciskając **Up** oraz **Down**. Potwierdź każdorazowo nowy wybór naciskając **Enter**.

Możesz opuścić tryb naciskając **Mode**. Funkcje urządzenia są opisane w dalszej części instrukcji.

## POŁĄCZENIE DMX-512

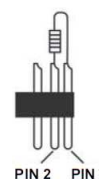
Jeśli używasz standardowego sterownika DMX, możesz podłączyć pierwsze urządzenie w łańcuchu do wyjścia DMX w sterowniku. Zawsze podłączaj urządzenia w łańcuchu DMX szeregowo (jak na poniższym obrazku).



### Złącza 5-pin XLR DMX.

Niektórzy producenci używają 5-pinowych gniazd DMX zamiast gniazd 3-pinowych. Takie urządzenia mogą być podłączone do standardowego łańcucha DMX. Trzeba zastosować jednak specjalny adapter. Tabela poniżej wyjaśnia prawidłową konwersję sygnału z wtyku 5-pinowego na wtyk 3-pinowy.

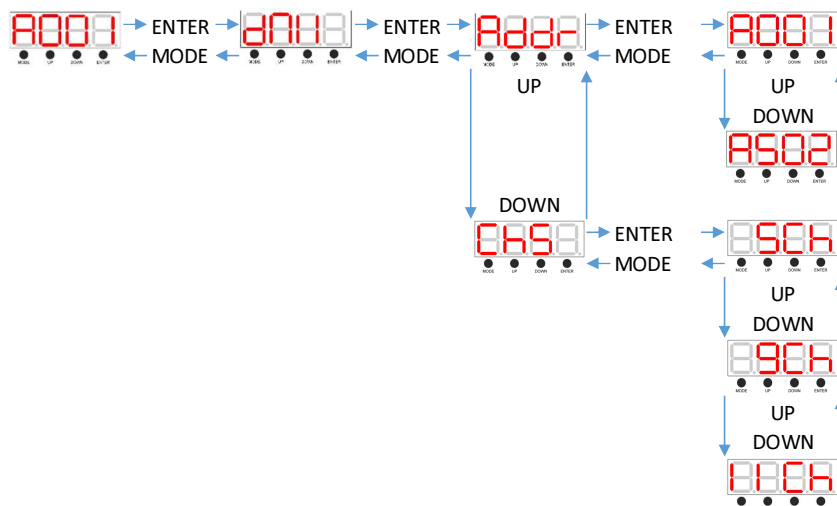
3-Pin XLR to 5-Pin XLR Conversion		
Przewód	3-Pin XLR Female (Out)	5-Pin XLR Male (In)
Ekran/masa	Pin 1	Pin 1
Sygnał -	Pin 2	Pin 2
Sygnał +	Pin 3	Pin 3
nie używany		Pin 4 – nie używany
nie używany		Pin 5 – nie używany



W ostatnie urządzenie w łańcuchu DMX musi być wpięty terminator. Terminator jest to wtyk XLR, w którym 2 oraz 3 pin są połączone ze sobą opornikiem 120 Ohm.

### Wybór adresu DMX oraz liczby kanałów DMX.

Naciśnij przycisk **ENTER**, aż na wyświetlaczu pojawi się „DMX”, „SET”. Następnie używaj przycisków **UP** oraz **DOWN**, aby wybrać pozycję w podmenu („ADDR” lub „CHS”) oraz potwierdź naciskając **ENTER**. Jeśli wybierzesz „ADDR”, będziesz mógł zaadresować urządzenie, ustawiając za pomocą przycisków **UP** i **DOWN** odpowiednią wartość w przedziale (A001-A512). Naciśnij **ENTER** by potwierdzić, na wyświetlaczu pojawi się na chwilę „SAVE”. Aby ustawić liczbę kanałów, musisz wybrać pozycję „DMX” oraz nacisnąć **ENTER**. Następnie posługując się przyciskami **UP** oraz **DOWN**, wybierz menu „CHS” oraz naciśnij **ENTER**. Za pomocą przycisków **UP** i **DOWN** wybierz pożądany tryb DMX (5ch, 9ch lub 11ch). Naciśnij **ENTER** by potwierdzić, na wyświetlaczu pojawi się na chwilę „SAVE”. Jeśli chcesz, żeby wszystkie urządzenia (ten sam model) pracowały identycznie, zaadresuj je na ten sam kanał, ustaw jednakowy tryb DMX oraz połącz je kablami.



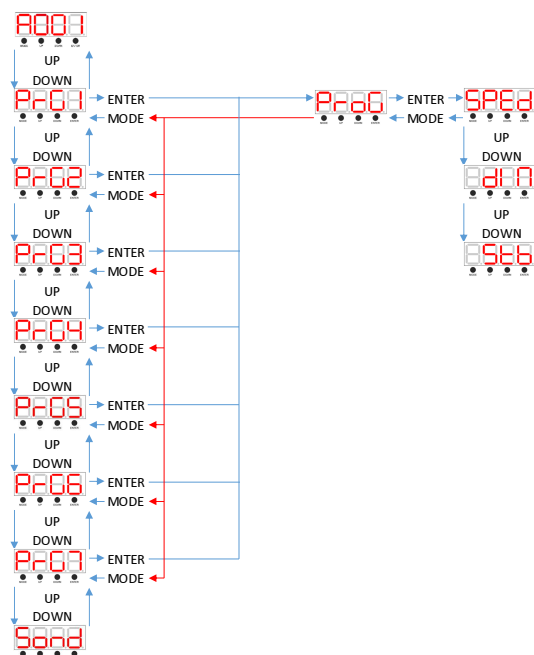
## PROGRAMY AUTOMATYCZNE

Tryb pokazu: Ten tryb pozwala na odtworzenie jednego z siedmiu wbudowanych pokazów pojedynczej jednostce oraz kilku połączonym ze sobą urządzeniom.

1. Naciśnij UP oraz DOWN, aż na wyświetlaczu pojawi się jeden z siedmiu programów. Obrazek pokazuje strukturę MENU.
2. Po wybraniu programu oraz naciśnięciu przycisku ENTER możesz ustawić prędkość („SPED”), ściemnienie („DIM”) oraz stroboskop („STB”).

### TRYB DŹWIEKOWY

Naciśnij UP lub DOWN, aby wybrać „SOND”.



## KLUCZOWE FUNKCJE

### Odwroćenie wyświetlacza

Naciśnij przycisk MODE, na wyświetlaczu pojawi się „SET”. Naciśnij ENTER, następnie używaj UP i DOWN, aż na wyświetlaczu pojawi się „RDIS”. Naciśnij ENTER, wyświetlacz pokaże „OFF” lub „ON”.

**OFF:** Wyświetlacz działa w trybie standardowym – dla urządzeń stojących na podłodze.

**ON:** Wyświetlacz jest odwrócony – dla urządzeń wiszących do góry nogami.

### Odwroćenie Pan

Naciśnij przycisk MODE, na wyświetlaczu pojawi się "SET". Naciśnij ENTER, następnie używaj UP i DOWN, aż na wyświetlaczu pojawi się "MSET". Naciśnij "ENTER", wyświetlacz pokaże "BLTO" lub "NCAL". Wybierz "NCAL", naciśnij "ENTER", potem używaj "UP" lub "Down" aż na wyświetlaczu pojawi się „PAN”. Press "ENTER", znajdź "REV", naciśnij "ENTER". Możesz wybrać "NO"(Brak odwrócenia) lub "Yes"(Odwroćenie Pan).

### Odwroćenie Tilt

Naciśnij przycisk MODE, na wyświetlaczu pojawi się "SET". Naciśnij ENTER, następnie używaj UP i DOWN, aż na wyświetlaczu pojawi się "MSET". Naciśnij "ENTER", wyświetlacz pokaże "BLTO" lub "NCAL". Wybierz "NCAL", naciśnij "ENTER", potem używaj "UP" lub "Down" aż na wyświetlaczu pojawi się „TILT”. Press "ENTER", znajdź "REV", naciśnij "ENTER". Możesz wybrać "NO"(Brak odwrócenia) lub "Yes"(Odwroćenie tilt).

### Automatyczne wyłączenie wyświetlacza po 20 sekundach

Naciśnij przycisk MODE, aż na wyświetlaczu pojawi się „SET”. Naciśnij ENTER, następnie UP I DOWN aż na wyświetlaczu pojawi się „CLDI”. Naciśnij "ENTER", oraz za pomocą "UP" i "DOWN" ustaw tryb "ON" (po 20 sekundach wyświetlacz się wyłączy) lub "OFF".

### Reset

Naciśnij przycisk MODE, aż na wyświetlaczu pojawi się „SET”. Naciśnij ENTER, następnie UP I DOWN aż na wyświetlaczu pojawi się „RST”. Naciśnij ENTER.

### Czułość mikrofonu

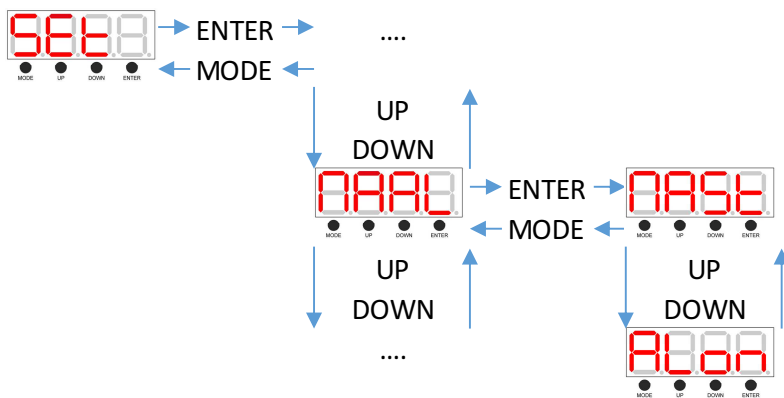
Naciśnij przycisk MODE, aż na wyświetlaczu pojawi się „SET”. Naciśnij ENTER, następnie UP I DOWN aż na wyświetlaczu pojawi się „MIC”. Naciśnij ENTER I za pomocą przycisków UP oraz DOWN ustaw czułość mikrofonu w zakresie pomiędzy 0 a 100. Naciśnij ENTER, aby potwierdzić.

## POŁĄCZENIE MASTER-SLAVE

1. Podłącz męską końcówkę kabla DMX do wyjścia DMX w pierwszym urządzeniu.

2. Podłącz drugą końcówkę (żeńską) kabla DMX wychodzącego z pierwszego urządzenia do wejścia DMX w kolejnym urządzeniu (gniazdo męskie). Podłączaj analogicznie kolejne urządzenia.

3. Naciśnij przycisk MODE, na wyświetlaczu pojawi się „SET” – naciśnij ENTER. Za pomocą UP lub DOWN znajdź pozycję „MAAL” oraz naciśnij ENTER. Wybierz następnie pozycję „MAST” oraz potwierdź naciskając ENTER.



**NOTE:** W połączeniu Master/Slave możesz ustawić jedno urządzenie jako Master a kolejne jako „ALON”. Urządzenia będą wtedy pracować zupełnie inaczej.

## PILOT ZDALNEGO STEROWANIA

Aby bezproblemowo sterować głowicą za pomocą pilota, skieruj pilot w kierunku panelu przedniego urządzenia z odległości nie większej niż 10m.

### STAND BY

Aby uruchomić sterowanie pilotem, musisz przełączyć urządzenie w tryb standby za pomocą przycisku STANDBY na pilocie. Na wyświetlaczu pojawi się „STOP”.



### FULL ON

Włącz urządzenie ponownie za pomocą przycisku FULL ON. Wyświetlacz się zapali oraz wyświetli UHL.



### Instrukcja używania pilota bezprzewodowego:

#### Ustawienie GOBO:

Naciśnij "GOBO" oraz naciśnij jeden z przycisków numerycznych aby wybrać właściwe GOBO.

#### Ustawienie koloru:

Naciśnij "COLOR" oraz naciśnij jeden z przycisków numerycznych aby wybrać dany kolor.

#### Ustawienie stroboskopu:

Naciśnij "STROBO" oraz naciśnij jeden z przycisków numerycznych aby wybrać prędkość.

Za pomocą przycisków "DIMMER +" and "DIMMER -" możesz ustawić moc świecenia.

#### Ustawienie programu:

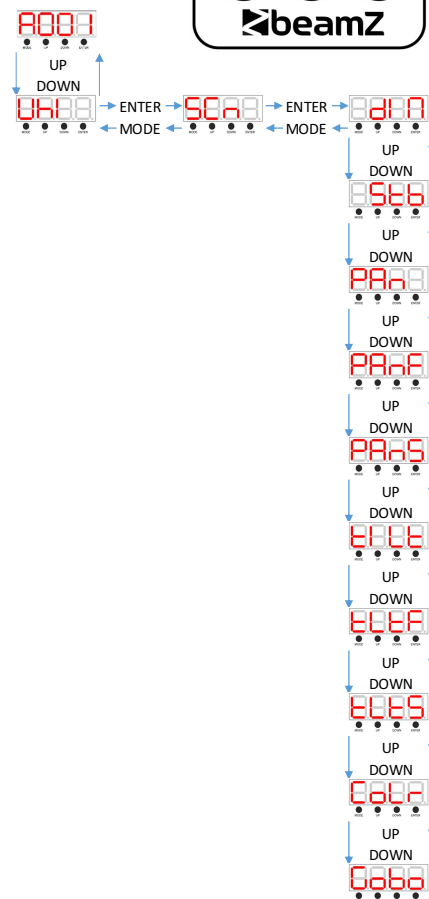
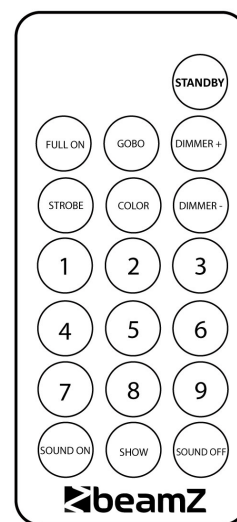
Naciśnij "SHOW" oraz naciśnij jeden z przycisków numerycznych aby wybrać pożądaną program.

Możesz teraz nacisnąć przycisk "SOUND NO", aby uruchomić tryb dźwiękowy. Po naciśnięciu "SOUND OFF" urządzenie wraca do trybu automatycznego.

#### Ustawienia UHI

Naciśnij UP lub DOWN, aż na wyświetlaczu pojawi się „UHI” oraz naciśnij ENTER. Naciskaj UP lub DOWN aż na wyświetlaczu pojawi się „SCN” oraz naciśnij ENTER. Możesz teraz zmienić ustawienia Dimmera, stroboskopu, pan, panf (pan fine), pans (prędkość pan), tilt, tilf (tilt fine), tits (prędkość tilt), kolor oraz gobo.

Jeśli zmienisz ustawienie pan lub tilt, głowica zawsze będzie ustawiona w danym miejscu. Domyślnie jest ustawiona na pozycji 128. Naciskaj UP lub DOWN aby zmienić pozycję.



## ROZWIĄZYWANIE PROBLEMÓW

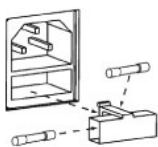
Ta sekcja opisuje kilka powszechnych problemów, które mogą nastąpić podczas użytkowania urządzenia oraz zawiera przydatne informacje na temat łatwego rozwiązywania tych problemów.

Objawy	Potencjalna przyczyna	Rozwiązanie
Brak światła, wentylatory nie pracują.	Problem z zasilaniem, np., uszkodzony bezpiecznik, gniazdo zasilania lub kabel zasilający.	Sprawdź, czy świeci się dioda zasilania. Sprawdź wszystkie kable zasilające. Wymień bezpiecznik
Urządzenie nie reaguje na muzykę.	Tryb dźwiękowy wyłączony Zbyt niska czułość mikrofonu	Upewnij się, że urządzenie nie jest podłączone do sterownika DMX. Wyreguluj czułość mikrofonu. Uderzaj palcem w mikrofon, aby sprawdzić czy poprawnie reaguje na dźwięk.
Jeden z kanałów DMX nie reaguje albo reaguje z przerwami.	Uszkodzony kabel DMX lub źle skonfigurowane połączenie DMX Uszkodzony silnik krokowy lub połączenie pomiędzy głowicą a resztą urządzenia.	Sprawdź następną sekcję. Skontaktuj się z najbliższym autoryzowanym serwisem.
Urządzenie nie reaguje na sygnał DMX.	Nieprowny adres DMX. Uszkodzony kabel DMX, wtyk, bądź duże zakłócenia z sieci elektrycznej.	Upewnij się, że urządzenie jest zaadresowane poprawnie. Sprawdź, czy wszystkie wtyki oraz kable są sprawne. Sprawdź, czy łańcuch DMX jest zakończony terminatorem. Sprawdź, czy wszystkie kable mają tę samą polaryzację. Spróbuj kontrolować urządzenie za pomocą innego sterownika DMX. Przenieś lub zekranuj kable, jeśli są blisko nieekranowanej instalacji wysokiego napięcia.

## WYMIANA BEZPIECZNIKA

Jeśli bezpiecznik jest niesprawny, wymień go na nowy egzemplarz tego samego typu i wartości. Przed wymianą bezpiecznika wyciągnij kabel zasilający z gniazda.

Instrukcja:



Krok 1: Otwórz śrubokrętem zasłonkę bezpiecznika na tylnym panelu.

Krok 2: Wyciągnij bezpiecznik.

Krok 3: Włóż nowy bezpiecznik w obudowę.

Krok 4: Zastów obudowę bezpiecznika oryginalnym plastikiem.

## CZYSZCZENIE URZĄDZENIA

Czyszczenie wewnętrznej oraz zewnętrznej soczewki oraz/lub lusterek musi być przeprowadzane systematycznie, aby zapewnić najlepszą moc świecenia. Częstotliwość konserwacji zależy od środowiska, w jakim urządzenie jest użytkowane: wilgoć, dym oraz kurz mogą spowodować akumulację nieczystości na optykach.

- Upewnij się, że przestrzeń pod instalacją jest wolna od osób postronnych.
- Obudowy, miejsca montażu oraz konstrukcje powinny być wolne od jakichkolwiek deformacji.
- Kable zasilające powinny być w doskonałym stanie oraz powinny być wymienione natychmiast w przypadku jakiegokolwiek defektu.
- Aby zabezpieczyć urządzenie przed przegrzaniem, wentylatory (jeśli takie są) oraz kanały wentylacyjne powinny być czyszczone raz na miesiąc.
- Wnętrze urządzenia powinno być czyszczone corocznie za pomocą odkurzacza.
- Do czyszczenia sprzętu należy używać miękkiej szmatki oraz zwykłego płynu do mycia szyb.
- Ostrożnie osuszaj części.
- Dokonuj czyszczenia zewnętrznej soczewki co najmniej co miesiąc. Wewnętrzne soczewki powinny być czyszczone co 30/60 dni.

**UWAGA:** Wewnętrzne czyszczenie powinno być przeprowadzane przez wykwalifikowaną osobę.

# DMX CHANNELS / DMX KANALEN / DMX-KANÄLE / CANALES DMX / CANAUX DMX / KANAŁÓW DMX

## 5 Channels

Channel	Function	Value	Description
1	Pan	000-255	Adjust Pan motor movement
2	Tilt	000-255	Adjust Tilt motor movement
3	Speed	000-255	Speed slow to fast
4	Colour	000-010	White
		011-021	Red
		022-032	Orange
		033-043	Yellow
		044-054	Green
		055-065	Blue
		066-076	Cyan
		077-087	Purple
		088-175	Colour selection 6+
		176-255	Colour wheel rotation
5	Dimmer	000-255	Dimming from dark to bright

## 9 Channels

Channel	Function	Value	Description
1	Pan	000-255	Adjust Pan motor movement
2	Tilt	000-255	Adjust Tilt motor movement
3	Pan fine	000-255	Adjust Pan fine movement
4	Tilt fine	000-255	Adjust Tilt fine movement
5	Speed	000-255	Speed slow to fast
6	Colour	000-010	White
		011-021	Red
		022-032	Orange
		033-043	Yellow
		044-054	Green
		055-065	Blue
		066-076	Cyan
		077-087	Purple
		088-175	Colour selection 6+
		176-255	Colour wheel rotation
7	Gobo	000-124	Gobo selection
		125-249	Gobo shaking
		250-255	Gobo wheel rotation
8	Dimmer	000-255	Dimming from dark to bright
9	Strobe	000-009	Open
		010-255	Strobe slow to fast

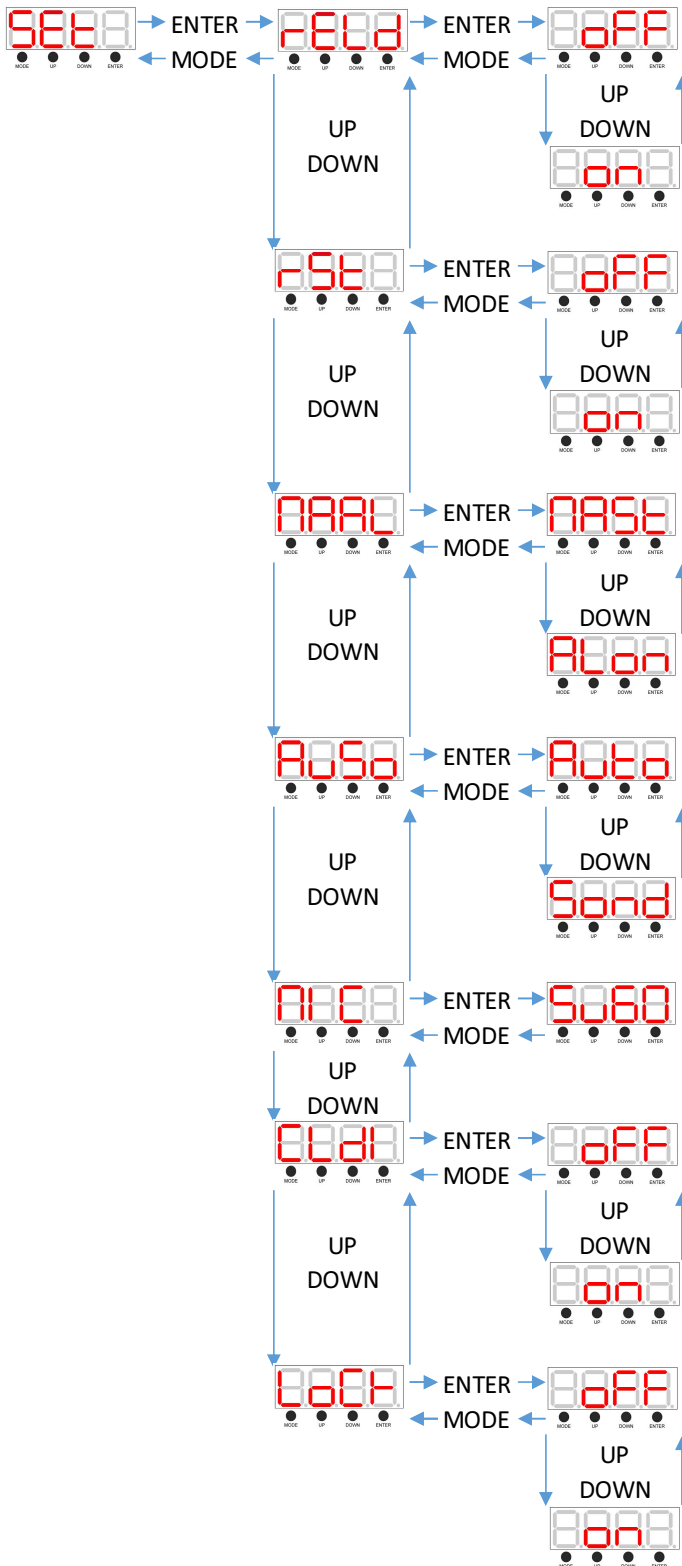
## 11 Channels

Channel	Function	Value	Description
1	Pan	000-255	Adjust Pan motor movement
2	Tilt	000-255	Adjust Tilt motor movement
3	Pan fine	000-255	Adjust Pan fine movement
4	Tilt fine	000-255	Adjust Tilt fine movement
5	Speed	000-255	Speed slow to fast
6	Colour	000-010	White
		011-021	Red
		022-032	Orange
		033-043	Yellow
		044-054	Green
		055-065	Blue
		066-076	Cyan
		077-087	Purple
		088-175	Colour selection 6+
176-255	Colour wheel rotation		
7	Gobo	000-124	Gobo selection
		125-249	Gobo shaking
		250-255	Gobo wheel rotation
8	Dimmer	000-255	Dimming from dark to bright
9	Strobe	000-009	Open
		010-255	Strobe slow to fast
10	Scene and Programs	000-049	No function
		050-059	Whi
		060-069	Scene 2 (Empty)
		070-079	Scene 3 (Empty)
		080-089	Scene 4 (Empty)
		090-099	Scene 5 (Empty)
		100-109	Scene 6 (Empty)
		110-119	Scene 7 (Empty)
		120-129	Scene 8 (Empty)
		130-139	Scene 9 (Empty)
		140-149	Program 1
		150-159	Program 2
		160-169	Program 3
		170-179	Program 4
		180-189	Program 5
		190-199	Program 6
		200-209	Program 7
		210-219	Program 8 (Empty)
		220-229	Program 9 (Empty)
		230-239	(Empty)
240-249	(Empty)		
250-255	Sound mode		
11	Program Speed	000-255	Speed slow to fast



# MENU / MENÜ / MENÚ

Set Menu:



Reld: Reloaded

RST: Reset

Maal:	Master/Slave
-mast:	Master
-Alon:	Slave

Auso:	auto/sound set
-auto:	Auto mode
-sond:	Sound

MIC: Microphones sensitivity

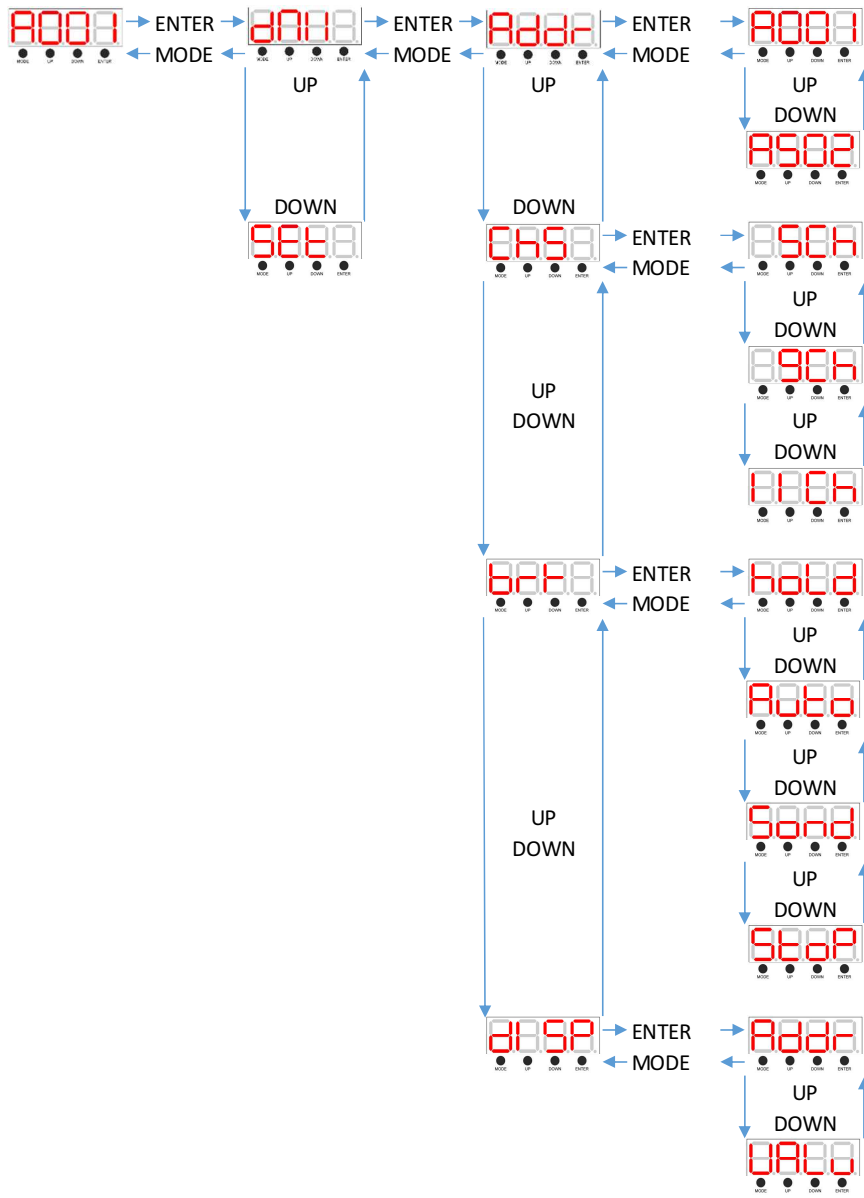
CLDI:	Display led "OFF" or "ON"
-OFF:	Led display on
-On:	After 20 sec led display off

Lock: Keyboard lockout



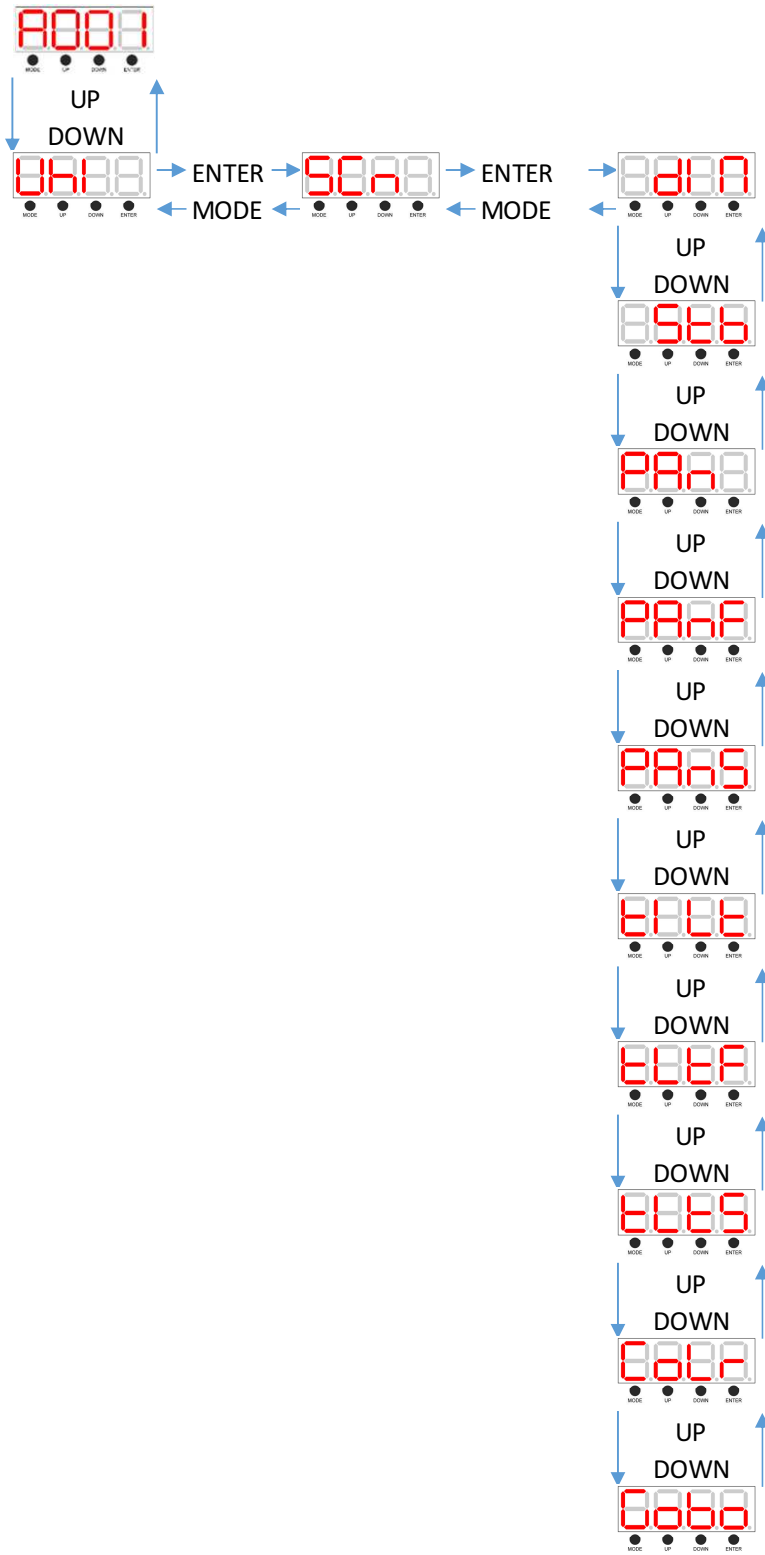


**DMX Menu:**



DMX:	DMX Menu
Addr:	1 - 502
Chs:	Channel mode
Brk:	Mode if no DMX
-Stop	Stop running
-Hold	Keep running
-Auto	Auto running
-Sond	Sound running
Disp:	DMX display
-Addr	Display DMX address
-Valu	Display DMX Value

UHI Menu:



SCN:	
-Dim:	Dimmer
-Stb:	Strobe
-Pan:	Pan
-Panf:	Pan fine
-Pans:	Pan speed
-Tilt:	Tilt
-Tiltf:	Tilt fine
-Tilts:	Tilt speed
-Colr:	Color
-Gobo:	Gobo

**TECHNICAL SPECIFICATION / TECHNISCHE SPECIFICATIE / TECHNISCHE DATEN  
/ ESPECIFICACIONES TÉCNICAS / SPÉCIFICATIONS TECHNIQUES /  
SPECYFIKACJA TECHNICZNA**

Rated voltage	: AC220~240V 50/60Hz
Rated power	: 40W
LED	: 12W CREE
Control Signal	: DMX signal
DMX Channels	: 5 / 9 or 11Channels
Gobo's	: 7 Gobo's + open
Colours	: 7 Colours + open
Pan movement	: 540°
Tilt movement	: 230°
Function	: DMX, Auto, Sound active, IR, and Master-Slave.
Dimensions per unit	: 147 x 160 x 240mm
Weight (per unit)	: 2.8 kg

The specifications are typical. The actual values can slightly change from one unit to the other. Specifications can be changed without prior notice.



**tronios**  
Sound & Light

## CE Declaration of Conformity

Manufacturer: TRONIOS BV  
Bedrijvenpark Twente 415  
7602 KM – ALMELO  
+31(0)546589299  
+31(0)546589298  
The Netherlands

Product number: 150.461

Product Description: Panther 40 Led Spot

Trade Name: BEAMZ

Regulatory Requirement: EN 55015:2013  
EN 61547:2009  
EN 61000-3-2:2006+A1:2009+A2:2009  
EN 61000-3-3:2013  
EN 60598-2-17:1989+A2:1991  
EN 60598-1:2008+A11:2009  
EN 62471:2008

The product meets the requirements stated in Directives 2006/95 and 2004/108/EC and conforms to the above mentioned Declarations.

ALMELO,  
02-06-2015

Name : *B. Kusters*  
Controller regulations

Signature :

Specifications and design are subject to change without prior notice..

**[www.tronios.com](http://www.tronios.com)**

Copyright © 2016 by TRONIOS the Netherlands