

DENON DJ

X1800 PRIME

User Guide	English (2 – 14)
Guía del usuario	Español (15 – 27)
Guide d'utilisation	Français (28 – 40)
Guida per l'uso	Italiano (41 – 53)
Benutzerhandbuch	Deutsch (54 – 66)
Appendix	English (67)

User Guide (English)

Introduction

Features:

- 4-channel digital mixer with (4) phono/line switchable channels
- BPM FX section with frequency-controlled band isolation
- Dual USB audio connections for software and audio devices
- Dedicated Sweep and BPM FX knobs—high-quality effects for each channel with a single knob turn
- Expressive EQ—choose Classic or Isolation modes and an adjustable filter resonance control
- Engine Connect protocol for beatgrid-locked FX
- Expressive Denon DJ Flex-Fader crossfader
- Connect MIDI-based effects and instruments
- 24-bit/96kHz digital output for uncompromised audio quality
- Crisp OLED screen for precise menu-based adjustments
- (4) digital inputs for high-resolution audio mixing
- LAN hub for up to four players or accessories
- Rugged metal construction

Box Contents

X1800 Prime	User Guide
USB Cable	Safety & Warranty Manual
Power Cable	

Support

For the latest information about this product (documentation, technical specifications, system requirements, compatibility information, etc.) and product registration, visit denondj.com.

For additional product support, visit denondj.com/support.

Setup

1. Make sure all of your devices are powered **off** or all of their volume levels are at their **minimum** positions.
2. Connect your media players' audio outputs to the inputs of X1800 Prime.
3. If you are using SC5000 Prime units, connect their **Link** ports to X1800 Prime's **Link** ports according to one of the following connection diagram examples.
4. Connect any other devices (turntables, headphones, power amplifiers, loudspeakers, etc.) to the inputs or outputs of X1800 Prime.
5. Connect all of your devices to power sources.

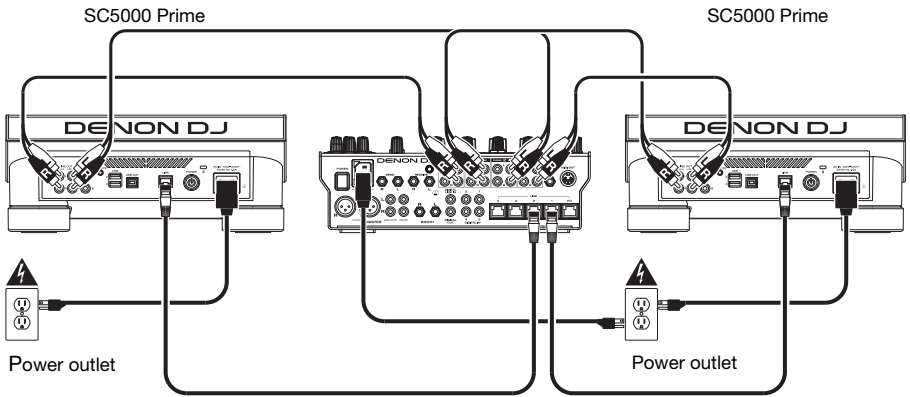
When starting a session, power on **(1)** your media players and other input sources, **(2)** X1800 Prime, and then **(3)** output devices.

When ending a session, power off **(1)** output devices, **(2)** X1800 Prime, and then **(3)** your media players and other input sources.

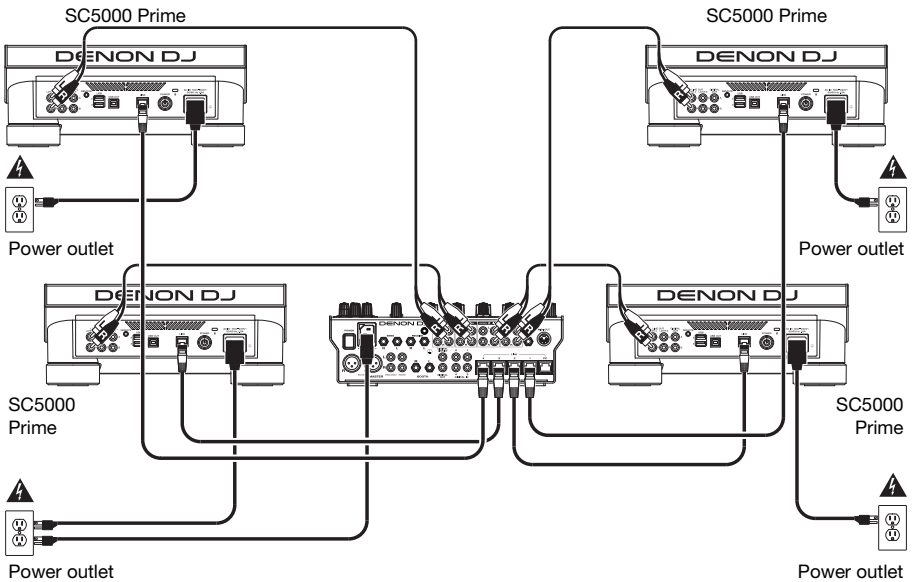
Connection Diagrams

Items shown but not listed under [Introduction > Box Contents](#) are sold separately.

Example 1



Example 2



Networking

You can use X1800 Prime to network multiple SC5000 Prime units together, enabling them to seamlessly share timing and BPM information with X1800 Prime (to synchronize effect tempos) as well as track and user profile data with other SC5000 Prime units.

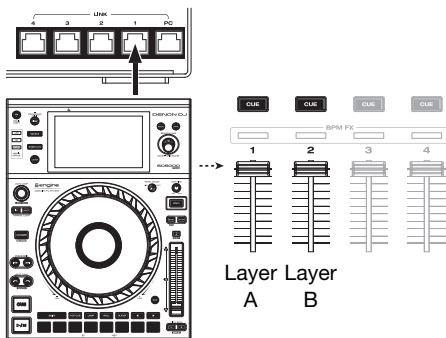
This feature provides some advantages while performing. For instance, if you are using four SC5000 Prime units, you can use one of them to browse through **all** tracks on **all** devices (USB drives or SD cards) connected to **any** of those SC5000 Prime units. You can then play any of those tracks immediately without having to move a device from one unit to the other.

To network SC5000 Prime units together, use the included networking cables to connect each of their **Link** ports to a **Link** port (1–4) on the rear panel of your X1800 Prime.

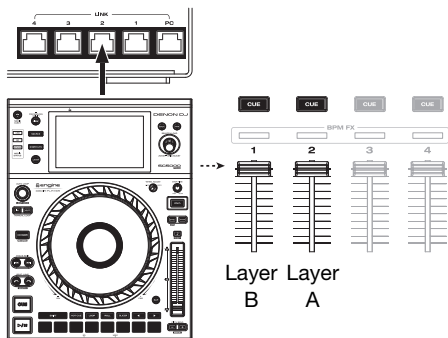
The **Network (Media Status)** light on each SC5000 Prime unit will turn on when it is properly connected to a network.

By default, X1800 Prime is set to detect and configure each SC5000 Prime automatically once you connect their Link ports. The Link port on X1800 Prime will determine which channels that SC5000 Prime unit uses. See the scenarios below.

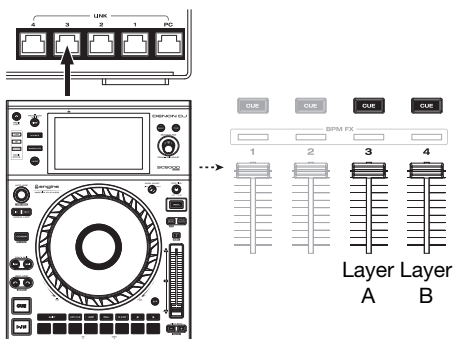
You can also freely assign each SC5000 Prime layer to a specific channel by changing the **Engine Connect** setting on X1800 Prime. See [Operation > Utility Menu > System](#) to learn how to do this.



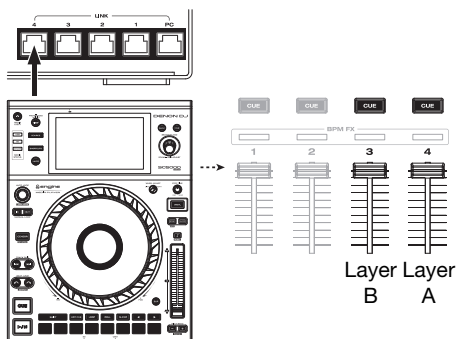
When your SC5000 Prime is connected to **Link Port 1** on X1800 Prime, Layer A will use **Channel 1**, and Layer B will use **Channel 2**.



When your SC5000 Prime is connected to **Link Port 2** on X1800 Prime, Layer A will use **Channel 2**, and Layer B will use **Channel 1**.



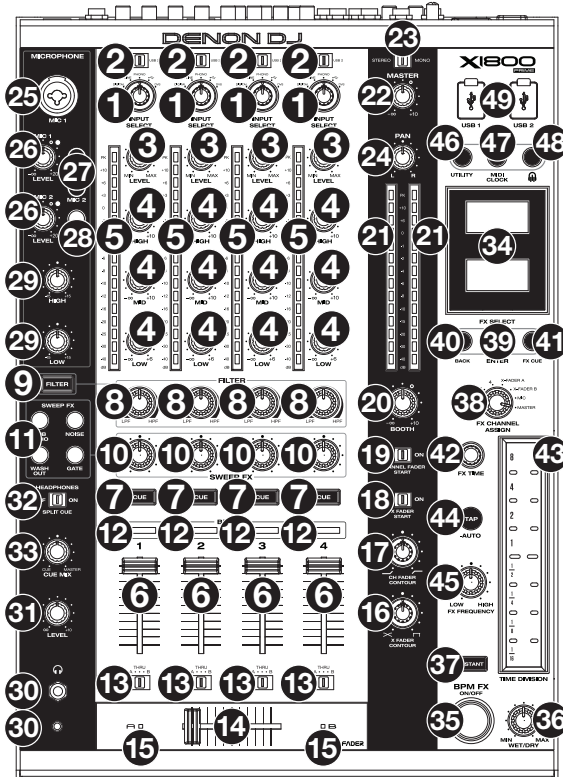
When your SC5000 Prime is connected to **Link Port 3** on X1800 Prime, Layer A will use **Channel 3**, and Layer B will use **Channel 4**.



When your SC5000 Prime is connected to **Link Port 4** on X1800 Prime, Layer A will use **Channel 4**, and Layer B will use **Channel 3**.

Features

Top Panel



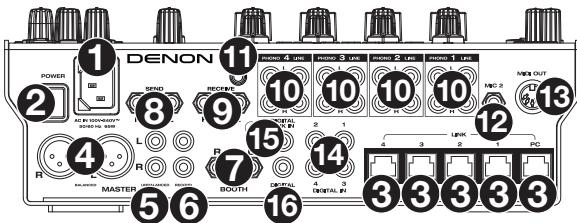
- Input Select:** Turn these knobs to select the desired audio source for each channel:
 - **Digital:** the **digital ins**
 - **Line:** the **line inputs**
 - **Phono:** the **phono inputs**
 - **USB:** a computer connected to a **USB port**. Use the **USB 1/2** switch to select **USB Port 1** or **USB Port 2**. When set to **USB Port 1** (and with a computer connected to that port), the channel will control the corresponding channel in your software.
 - **DVS:** a computer connected to a **USB port** while using control vinyl with a digital vinyl system
- USB 1/2:** When the **Input Select** knob is set to **USB**, use these switches to select **USB Port 1** or **USB Port 2** as the source. When set to **USB Port 1** (and with a computer connected to that port), the channel will control the corresponding channel in your software.
- Level:** Turn these knobs to adjust the level of the pre-fader, pre-EQ audio signal for each channel.
- EQ (High, Mid, Low):** Turn these knobs to boost or cut the high, mid-range, and low frequencies for each channel. You can use the Utility menu to set the type of EQ, which determines the minimum (cut) and maximum (boost) values (see [Operation > Utility Menu > EQ](#)).

5. **Channel Level Meters:** These LEDs display the audio signal level of each channel, pre-channel-fader.
6. **Channel Fader:** Use these faders to adjust each channel's volume level.
7. **Channel Cue:** Press these buttons to send each channel's pre-fader signal to the headphones' cue channel. Press more than one of these buttons at the same time to send their channels' signals to the cue channel simultaneously.
8. **Filter Knob:** Turn these knobs to adjust the filter applied to each channel. Turn the knob counter-clockwise to apply a low-pass filter. Turn the knob clockwise to apply a high-pass filter.
9. **Filter Button:** Press this button to enable or disable the filters (controlled by the **Filter knobs**) on all channels.
10. **Sweep FX Knob:** Turn these knobs to adjust the balance between the "wet" signal (the sweep effect's output signal) and "dry" signal (audio without sweep effects applied). Select the center (12:00) position to select an entirely dry signal.
11. **Sweep FX Button:** Press one of these buttons to enable or disable an effect that you can control with the **Sweep FX knobs**. Only one of these buttons can be enabled at a time.
 - **Dub Echo:** This effect is a brief echo. Starting from the center (12:00) position, turn a **Sweep FX knob** counter-clockwise to decrease the length of the delay and increase the feedback, or turn it clockwise to increase the length of the delay as well as the feedback.
 - **Noise:** This effect adds noise to the signal. Starting from the center (12:00) position, turn a **Sweep FX knob** counter-clockwise to add pink noise, or turn it clockwise to add white noise.
 - **Wash Out:** This creates a transition effect. Turn a **Sweep FX knob** to its most counter-clockwise (minimum) position to apply a 1-beat echo that will also mute the channel's normal audio signal, or turn it to its most clockwise (maximum) position to apply a 1/2-beat echo.
 - **Gate:** This effect applies a time-based gate effect to the signal. Starting from the center (12:00) position, turn a **Sweep FX knob** counter-clockwise to apply a gate effect synchronized with the channel's tempo, or turn it clockwise to do the same thing with an added effect.
12. **BPM FX Indicators:** These lights will illuminate to indicate if a channel is selected and being affected by the BPM effects module (when the **FX Channel Assign** knob is set to **Channel 1, 2, 3, or 4**).
13. **Crossfader Assign:** Routes the audio playing on the corresponding channel to either side of the crossfader—**A** (left) or **B** (right)—or bypasses the crossfader and sends the audio directly to the program mix—**Thru** (center).
14. **Crossfader:** Use this crossfader to mix between the active decks.
15. **Crossfader Indicators:** These lights will illuminate to indicate if a side of the crossfader is selected and being affected by effects module (when the **FX Channel Assign** knob is set to **X-Fader A or B**).
16. **X Fader Contour:** Turn this knob to adjust the slope of the **crossfader**. Turn the knob to the left for a smooth fade (mixing) or to the right for a sharp cut (scratching). The center position is a typical setting for club performances.
17. **Ch Fader Contour:** Turn this knob to adjust the slope of the **channel faders**. Turn the knob to counter-clockwise to use a slope that rises "later" (closer to the top of the fader). Turn it clockwise to use a slope that rises "earlier" (almost immediately after moving the fader from its minimum position). The center position is a linear slope.
18. **X Fader Start:** Use this switch to enable or disable crossfader start. When enabled, you can automatically start playback the SC5000 Prime units assigned to each side of the crossfader by moving the crossfader toward that side.

19. **Channel Fader Start:** Use this switch to enable or disable channel fader start. When enabled, you can automatically start playback the SC5000 Prime units connected to each channel by moving the channel fader upward.
20. **Booth:** Turn this knob to adjust the volume level of the **booth outputs**.
21. **Master Level Meters:** These LEDs display the audio signal level of the master mix (sent out of the **master outputs**).
22. **Master:** Turn this knob to adjust the volume level of the **master outputs**.
23. **Stereo/Mono Selector:** Use this switch to set the channel configuration of the master outputs: **Stereo** (binaural audio using separate left and right channels) or **Mono** (summed monaural audio through both left and right channels).
24. **Pan:** Turn this knob to adjust the position of the **master outputs'** signal in the stereo field.
25. **Mic 1 Input:** Use a standard XLR or 1/4" (6.35 mm) cable (not included) to connect a standard dynamic microphone to this input. Use the **Mic 1 Level** knob on the top panel to control the volume level.
26. **Mic 1/2 Level:** Turn these knobs to adjust the volume levels of the corresponding microphone inputs. The light next to each knob indicates the current signal level by its color: **green** (normal/optimal) or **red** (maximum/peak).
27. **Mic On/Off:** Press these buttons to activate or deactivate the corresponding microphone.
28. **Talk Over:** Press this button to activate or deactivate the "talkover" feature, which automatically reduces the volume level of the master mix when you speak into the microphone. You can use the Utility menu to set how much the master mix volume level is lowered and how quickly it returns to its normal level (see [Operation > Utility Menu > Microphone](#)).
29. **Mic EQ (High, Low):** Turn these knobs to boost or cut the high and low frequencies for both microphones.
30. **Headphone Outputs:** Connect headphones to these 1/4" (6.35 mm) and 1/8" (3.5 mm) jacks for monitoring the signal. Turn the **Headphone Level** knob to control the volume.
31. **Headphone Level:** Turn this knob to adjust the volume of the headphones.
32. **Split Cue:** When this switch is in the **On** position, the headphone audio will be "split" such that all channels sent to cue channel are summed to mono and sent to the left headphone channel and the master mix is summed to mono and sent to the right channel. When the switch is in the **Off** position, the cue channel and master mix will be "blended" together.
33. **Cue Mix:** Turn this knob to adjust the balance between the cue output and the master mix output in the headphones.
34. **Displays:** These displays show current information about the effects and tempo as well as the Utility menu.
35. **FX On/Off:** Press this button to turn the BPM effects module on or off.
36. **Wet/Dry:** Turn this knob to adjust the balance between the "wet" signal (the BPM effect module's output signal) and "dry" signal (audio without BPM effects applied).
37. **Instant:** Press this button to enable or disable Instant FX Mode for the **FX touch strip**.
38. **FX Channel Assign:** Turn this knob to select the channel to which the BPM effects module will apply its effects: **Channel 1, 2, 3, or 4; X-Fader A or B** (either side of the crossfader); **Mic** (both microphone signals); or **Master** (the master mix).
39. **FX Select/Enter:** Turn this knob to select an effect. While in the Utility menu, turn this knob to select an option, and press it to confirm your choice or enter a submenu.
40. **Back:** Press this button to return to the previous screen in the Utility menu.
41. **FX Cue:** Press this button to preview the BPM effects in the headphones' cue channel. Not all BPM effects can be previewed, though.

- 42. **FX Time:** Turn this knob to select the rate that the BPM effect module will use. Press the knob to switch between adjusting the rate as a time division and the rate in milliseconds. (A corresponding light along the FX touch strip will illuminate to indicate the current time division.)
- 43. **FX Touch Strip:** When the Instant button is off (disabled), tap an area of this touch-capacitive strip to select the time division that the BPM effect module will use. A corresponding light along the strip will illuminate to indicate the current time division. If the current time division is not a quantization value shown on the strip (e.g., the BeatBreak effect), then none of the lights will illuminate.
When the Instant button is on (enabled), tap and hold your finger on the strip to activate the effects, and then drag your finger up or down to adjust the time division of the effect.
- 44. **Tap:** Tap this button at least 3 times the desired tempo to set the rate of all time-based effects. Press and hold this button for 1 second to set the tempo to that of **FX Channel Assign** knob's channel (e.g., if Channel 2 is using an effect with a rate of 135 BPM and the FX Channel Assign knob is set to Channel 2, pressing and holding this button will set the rate of time-based effects on **all** channels to 135 BPM).
- 45. **FX Frequency:** Turn this knob to select a frequency band of the audio signal to which the BPM effects will be applied. Select the center (12:00) position to apply effects to the entire spectrum of frequencies.
- 46. **Utility:** Press this button to enter or exit the Utility menu, which will appear in the display. Exiting the Utility menu also saves any changes you made.
- 47. **MIDI Send:** Press this button to send a MIDI Start message out of the **USB port** or **MIDI output** (you can use the Utility menu to select one). The tempo will be that of the selection of the **FX Channel Assign** knob. If you change the selection of the **FX Channel Assign** knob, press and hold this button to send the new tempo.
- 48. **Engine Connect:** When the **Link** ports are connected to SC5000 Prime units, press this button to enable X1800 Prime to receive timing and BPM information (to synchronize effect tempos) and to send track and user profile data between SC5000 Prime units.
- 49. **USB Ports:** Use standard USB cables to connect computers to these USB ports.

Rear Panel



- 1. **Power Input:** Use the included power cable to connect this input to a power outlet.
- 2. **Power Button:** Press this button to power X1800 Prime on or off. Power on X1800Prime only **after** you have connected all of your input devices and **before** you power on your amplifiers and loudspeakers. Power off your amplifiers and loudspeakers **before** powering off X1800 Prime.

3. **Link Ports:** Use standard networking cables to connect these ports to your SC5000 Prime units and/or to your computer. Each networked SC5000 Prime can use these connections share timing and BPM information with X1800 Prime (to synchronize effect tempos) as well as track and user profile data with other SC5000 Prime units.
4. **Master Outputs** (balanced XLR): Use standard XLR cables to connect these outputs to loudspeakers or an amplifier system. Use the **Master** knob on the top panel to control the volume level.
5. **Master Outputs** (unbalanced RCA): Use standard RCA cables to connect these outputs to loudspeakers or an amplifier system. Use the **Master** knob on the top panel to control the volume level.
6. **Record Outputs** (RCA): Use standard RCA cables to connect these outputs to a recording interface, external mixer, or other device. Use the Utility menu to select whether or not the mix sent to these outputs will include the microphones' audio signal (see [Operation > Utility Menu > Microphone](#)).
7. **Booth Outputs** (1/4"/6.35 mm, TRS): Use standard 1/4"/6.35 mm cables to connect these outputs to booth monitors or a booth amplifier system. Use the **Booth** knob on the top panel to control the volume level. Use the Utility menu to select whether or not the mix sent to these outputs will include the microphones' audio signal (see [Operation > Utility Menu > Microphone](#)).
8. **Send Outputs** (1/4"/6.35 mm, TRS): Connect these outputs to the inputs of an external effects module or other device. You can use the Utility menu to set the level of this audio signal (see [Operation > Utility Menu > Advanced Audio](#)).
9. **Receive Inputs** (1/4"/6.35 mm, TRS): Connect these inputs to the outputs of an external effects module or other device. You can use the Utility menu to set the level of this audio signal (see [Operation > Utility Menu > Advanced Audio](#)).
10. **Phono/Line Inputs** (RCA): Use standard RCA cables to connect these line-level or phono-level inputs to an external audio source. Use the **input selectors** on the top panel to set whether the signal from the line-level inputs or phono-level inputs will be sent to each channel.
11. **Grounding Terminal:** If you are using phono-level turntables with a grounding wire, connect the grounding wire to this terminal. If you experience a low "hum" or "buzz", this could mean that your turntables are not grounded.
Note: Some turntables have a grounding wire built into the RCA connection and, therefore, nothing needs to be connected to the grounding terminal.
12. **Mic 2 Input** (1/4"/6.35 mm, TRS): Use a standard 1/4" (6.35 mm) cable (not included) to connect a standard dynamic microphone to this input. Use the **Mic 2 Level** knob on the top panel to control the volume level.
13. **MIDI Output** (5-pin DIN): Use a standard MIDI cable to connect this output to the MIDI input of an optional external MIDI device. You can use the **MIDI Send** button to send MIDI Start messages from this output. You can also use the Utility menu to enable or disable this connection (see [Operation > Utility Menu > System](#)).
14. **Digital In** (digital RCA): Use digital RCA cables to connect these 24-bit/96 KHz inputs to the digital outputs of your Denon DJ SC5000 Prime units.
15. **Digital Link In** (digital RCA): If you are using more than one X1800 Prime unit, use a digital RCA cable to connect this input to the **digital out** of another X1800 Prime.
16. **Digital Out** (digital RCA): Use a digital RCA cable to connect this output to the digital input of another X1800 Prime unit or an external interface, mixer, or other device. Use the Utility menu to set the level of the outgoing signal (see [Operation > Utility Menu > Advanced Audio](#)).

Operation

Effects

BPM Effect Module

The built-in effect module enables you to apply any one of several effects to specific channels based on its current tempo.

To turn the BPM effect module on or off, press **FX On/Off**.

To select the channel to which the BPM effect module will apply its effects, turn the **FX Channel Assign** knob. The options are: **Channel 1, 2, 3, or 4**; **X-Fader A or B** (either side of the crossfader); **Mic** (both microphone signals); or **Master** (the master mix).

To apply or remove the effect to or from the cue channel, press **FX Cue**. When the button is lit, effects will be applied to the headphones' cue channel only.

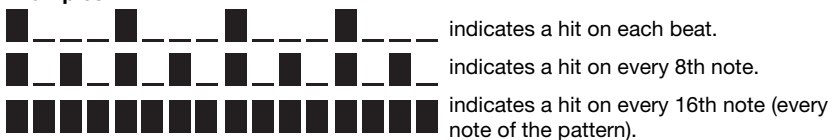
To select an effect, turn the **FX Select/Enter** knob.

These are the available effects:

- **Echo**: This effect adds echoes of the original signal.
- **Delay**: This effect adds repeated instances of the original signal that decay over time.
- **Ping Pong**: This is a stereo delay effect where the rate of delay is different between the left and right channels.
- **Trans** (transition): This effect cuts off the original signal at a regular rate.
- **Flanger**: This effect adds a slightly delayed copy of the original signal to create a comb-filter effect (often referred to as resembling a jet plane engine).
- **Filter**: This effect varies the filter cutoff frequency at a regular rate.
- **Phaser**: This effect adds a copy of the original signal with its phase shifted slightly to create a subtle, modulatory effect.
- **Reverb**: This effect adds reverberation to the original signal. The amount of delay depends on the tempo.
- **Roll**: This effect samples the current audio signal and repeats it at a regular rate based on the current time division.
- **RevRoll** (reverse roll): This effect samples the current audio signal and repeats it backward at a regular rate based on the current time division.
- **BeatBreak**: This effect samples the 4 beats of each bar of the original signal and replays them (within the same bar) according to a preset pattern, creating a "stuttering," "breakbeat" effect.

To select a pattern to use, turn the **FX Time** knob to select **Pattern 0–15**, as shown in the second display. The 16 blocks (■) and/or lines (—) below it indicate the rhythm of the current pattern similarly to a drum machine's step sequencer: a block represents a "hit"/"strike" and a line represents a rest.

Examples:



Use the Utility menu to edit the patterns (see [Utility Menu > Advanced Audio](#)).

- **Scratch:** This effect alternates between normal and reverse playback of each beat, creating a vinyl-scratching effect.
- **SendRtn** (send/return): This option will enable the send outputs and receive inputs, allowing you to use external effects on the signal.

All of the BPM effects are time-based, so the BPM effect module offers several ways for you enter or detect the tempo it will use.

To adjust the time division of the BPM effect module, do either of the following:

- Make sure the time division (**__ Beat**) is selected in the lower display (if it is not, press the **FX Time** knob), and then turn the **FX Time** knob to select another time division.
- When the **Instant** button is **off**, tap an area of the **FX touch strip** to select a time division. A corresponding light along the strip will illuminate to indicate the current time division.

To adjust the rate of the BPM effect module in milliseconds, make sure the millisecond rate (**__ ms**) is selected in the lower display (if it is not, press the **FX Time** knob), and then turn the **FX Time** knob to adjust it.⁴

To enter a new tempo, press **Tap** at least 3 times at the desired tempo.

To set the tempo to that of FX Channel Assign knob's channel, press and hold **Tap/Auto** for 1 second. (Example: If Channel 2 is using an effect with a rate of 120 BPM and the FX Channel Assign knob is set to Channel 2, pressing and holding this button will set the rate of time-based effects on **all** channels to 120 BPM).

To adjust the tempo manually, press and hold **Tap/Auto**, and then turn the **FX Time** knob to adjust the BPM in increments of 1. While still holding **Tap/Auto**, press and turn the **FX Time** knob to adjust the BPM in increments of 0.1.

You can easily adjust the balance between the “wet” signal (the BPM effect module’s output signal) and “dry” signal (audio without effects applied).

To adjust the balance between the “wet” and “dry” signals, turn the **Wet/Dry** knob. Alternatively, use the **FX touch strip** while in Instant FX Mode (see [below](#)).

Normally, you would apply effects to the entire frequency spectrum, but X1800 Prime also lets you apply them to an isolated frequency band of the audio signal (of the selected channel).

To select the frequency band, turn the **FX Frequency** knob. Select the center (12:00) position to apply effects to the entire spectrum of frequencies.

Instant FX Mode enables you to use the FX touch strip to activate the effect and adjust its time division simultaneously.

To enable or disable Instant FX Mode, press Instant. The button will light up when it is enabled.

To activate the effect, tap and hold your finger on the **FX touch strip**, and then drag your finger up or down to adjust the time division of the effect.

Sweep FX

Sweep FX enable you to apply one of four effects to the four channels and “sweep” them using the **Sweep FX knobs**. You can apply only one sweep effect at a time.

To activate a sweep effect, tap one of the Sweep FX buttons: **Dub Echo**, **Noise**, **Wash Out**, or **Gate**. The button will light up when activated. Only one of these buttons can be enabled at a time.

To deactivate a sweep effect, tap the lit Sweep FX button. Alternatively, press a different Sweep FX button to activate it, which will deactivate the other.

These are the available effects and how each one is controlled by the Sweep FX knobs. For all sweep effects, the center (“12:00”) position of the Sweep FX knob is the minimum position (the effect is not applied). Turning it clockwise or counter-clockwise from this position can produce different results.

- **Dub Echo:** This effect adds a brief echo. Turn a **Sweep FX knob** counter-clockwise to decrease the length of the delay and increase the feedback, or turn it clockwise to increase the length of the delay as well as the feedback.
- **Noise:** This effect adds noise to the signal. Turn a **Sweep FX knob** counter-clockwise to add pink noise, or turn it clockwise to add white noise.
- **Wash Out:** This creates a transition effect. Turn a **Sweep FX knob** to its most counter-clockwise (minimum) position to apply a 1-beat echo that will also mute the channel’s normal audio signal, or turn it to its most clockwise (maximum) position to apply a 1/2-beat echo.
- **Gate:** This effect applies a time-based gate effect to the signal. Turn a **Sweep FX knob** counter-clockwise to apply a gate effect synchronized with the channel’s tempo, or turn it clockwise to do the same thing with an added effect.

Utility Menu

The Utility menu enables you to customize various settings on X1800 Prime that affect the audio signal routing, effects module, input and output levels, and more.

To enter or exit the Utility menu, press **Utility**. Exiting the Utility menu also saves any changes you made.

While in the Utility menu, you can do any of the following:

- **To select an option,** turn the **FX Select/Enter** knob.
- **To confirm your choice or enter a submenu,** press the **FX Select/Enter** knob.
- **To return to the previous screen,** press **Back**.

Below are descriptions of the different submenus in the Utility menu:

EQ

These settings determine how the Channel EQ knobs work.

- **Type:** Select **ISO** to set the Channel EQ knobs’ ranges to **-∞** to **+6dB/+10dB** (as labeled). Select **EQ** to set the Channel EQ knobs’ ranges to **-24dB** to **+6dB** (for other players that may need this setting).
- **High Cross Over:** This is the crossover frequency between the High and Mid EQ knobs when the **Type** is set to **ISO**: **1000Hz–8000Hz** (in varying increments).
- **Low Cross Over:** This is the crossover frequency between the Mid and Low EQ knobs when the **Type** is set to **ISO**: **100Hz–800Hz** (in varying increments).
- **Reset EQ Default:** Select **OK** to return these Channel EQ settings to their default values, or select **Cancel** to return to the previous menu.

Filter

- **Resonance:** This is the resonance of the filters on Channels 1–4 (i.e., how much the frequencies just beyond the cutoff frequency are allowed to pass through the filter). **0** is a flat setting (frequencies just beyond the cutoff frequency won’t be heard at all), while **15** yields a high resonance (the cutoff frequency is not as “strict,” so some adjacent frequencies will be heard).

Headphone

- **Attenuation:** This is the gain level of the headphone output: **-15dB** to **0dB**.

Microphone

These settings affect the microphones.

- **Gain:** This is the gain level of the microphone inputs: **-10dB to +10dB**.
- **Talk Over Level:** This setting determines how much the master mix volume level is lowered when the microphone talkover feature is activated: **-20dB to -40dB**.
- **Talk Over Resume:** While using the talkover feature, the master mix volume will return to its normal level after the microphone input detect no incoming signal. This setting determines whether that transition occurs moderately (**Normal**) or quickly (**Fast**).
- **EQ High:** This is the frequency band that will be affected by the High Mic EQ knob: **1000Hz–4000Hz** (in varying increments).
- **EQ Low:** This is the frequency band that will be affected by the Low Mic EQ knob: **500Hz–2000Hz** (in varying increments).
- **Booth Receive:** Select **On** to allow the microphone signal to be sent to the booth outputs and record outputs. Select **Off** to send the microphone signal to the master outputs only.
- **Reset Mic Default:** Select **OK** to return the Mic settings to their default values, or select **Cancel** to return to the previous menu.

Advanced Audio

These settings determine the mixer's digital operation and other advanced functions.

- **Sampling Rate:** This is the sampling rate of the USB audio signal: **44.1kHz, 48kHz, or 96kHz**.
- **Master Out Level:** This is an offset to the volume level of the master outputs: **-15dB to 0dB**.
- **Booth Out Level:** This is an offset to the volume level of the booth: **-15dB to 0dB**.
- **USB Audio:** These settings determine the routing and levels of USB audio.
 - **CH1–4/Master/Cue Assign:** These settings determine which USB audio channels (**1/2–9/10**) will receive the audio signal from Channels 1–4 (**CH1–CH4**), the master mix (**Master**), and the cue channel (**Cue**).
 - **Output Level:** This is an offset to the volume level of the master mix sent to your computer over a USB connection: **-20dB to +20dB**.
 - **Ch Input Level:** This is an offset to the volume level of the audio signals sent to Channels 1–4 from your computer over a USB connection: **-20dB to +20dB**.
- **DVS Setup:** For Channels 1–4 (**CH1–CH4**), select the input level each one will use when its input selector is set to **DVS**. Select **Phono** to use control vinyl records or **Line** to use control CDs.
- **Digital Settings:**
 - **Digital Out:** This is an offset to the volume level of the audio signal sent from the digital out: **-20dB to +20dB**.
 - **Digital Link:** Select **On** to sum the outgoing signal before the **Master** knob and **Booth** knob, which you can use to control their output level. Select **Off** to sum the outgoing signal after the **Master** knob and **Booth** knob, which will have no effect on the output level.
 - **Link Level:** This is an offset to the volume level of the audio signal sent to the Digital Link In: **-20dB to +20dB**.
- **Cross Fader Cut:** These settings determine how far you must move the crossfader from each side (**Fader Cut A or B**) for it to start affecting the audio signal: **-2.0mm to 2.0mm**
- **FX Edit:**
 - **FX Return:** This is the unity level for the send outputs and receive inputs: **-10dB–0dB**. You may need to adjust this setting based on the types of external effects you are using.
 - **Beat Break Edit:** This menu enables you to select, edit, and store patterns for the BeatBreak effect. See [Effects > BPM Effect Module](#) for more information about how this effect works.

To edit a pattern:

 1. Turn the **FX Select/Enter** knob to select a pattern (**1–16**), and then press it.
 2. Turn the **FX Select/Enter** knob to select one of 12 16th-notes in the pattern. You cannot edit the four main beats of the pattern; they will always sound because they contain the audio being sampled.
Press the **FX Select/Enter** knob to change the beat from a “hit”/“strike” (■) to a rest (___) or vice versa.
Repeat this step, if desired.
 3. Press **Back** to return to the previous screen.

- **FX List Customize:** Use this screen to customize the order of effects. Turn the **FX Select/Enter** knob to select an effect from the list of available ones on the left side, and then press the knob to add the effect to the new order on the right side. Repeat this step for each effect, or select **-Cancel-** to return to the previous screen. After you have done this for all effects, select **-End-** to save your customized list.
- **BPM FX On Color:** This setting determines the color of the FX On/Off button while it flashes: **red, spring green, green, light blue, blue, yellow, orange, or purple.**

System

These settings determine overall operation.

- **Info:** These screens contain information about the current firmware version and network information.
 - **Version:** This is the current X1800 Prime firmware version.
 - **IP Address:** This is the IP address that X1800 Prime is using.
 - **MAC Address:** This is the MAC address that X1800 Prime is using.
- **Engine Connect:** Select **Auto** to enable X1800 Prime to automatically receive timing and BPM information (to synchronize effect tempos) from SC5000 Prime units connected to its Link ports and to send track and user profile data between them. X1800 Prime will also automatically detect and configure each SC5000 Prime once you connect their Link ports. Select **Manual** to disable automatic linking and only activate this feature manually by pressing and holding the **Engine Connect** button until the Channel Assignment screen appears on the SC5000 Prime units. You can then freely assign each SC5000 Prime layer to a specific channel.
- **Cue Settings:**
 - **Cue Solo Mode:** Select **On** to use the Channel Cue buttons as “solo” buttons (pressing one will mute all other channels). Select **Off** to use them as normal cue buttons (pressing one will send its signal to the cue channel).
 - **Cue 1–4 Color:** This setting determines the color of the Cue buttons for each channel: **red, spring green, green, light blue, blue, yellow, orange, or purple.**
 - **Reset Cue Defaults:** Select **OK** to return the Cue settings to their default values, or select **Cancel** to return to the previous menu.
- **Network Settings:**
 - **Refresh IP Address:** Select **OK** to renew your IP address, which reestablishes the connection between your X1800 Prime and any SC5000 Prime units connected to the Link ports. Select **Cancel** to return to the previous screen.
- **MIDI:** These are MIDI settings that determine the MIDI channels and connections used.
 - **Clock Send:** These settings determine whether or not X1800 Prime will send MIDI Clock messages over each of these connections. For each option, select **On** to enable transmission or **Off** to disable it.
 - **USB:** This applies to both **USB Ports 1 and 2**. If you are using X1800 Prime to control software, set this to **On**.
 - **5pin:** This applies to the **MIDI out**.
 - **Active Send:** These settings determine whether or not X1800 Prime will send normal MIDI messages over each of these connections. For each option, select **On** to enable transmission or **Off** to disable it.
 - **USB:** This applies to both **USB Ports 1 and 2**. If you are using X1800 Prime to control software, set this to **On**.
 - **5pin:** This applies to the **MIDI out**.
- **Factory Reset:** Select **OK** to restore X1800 Prime to its factory default settings (wait a few seconds after selecting this before resuming normal operation). Select **Cancel** to return to the previous screen.

Guía del usuario (Español)

Introducción

Características:

- Mezclador digital de 4 canales con (4) canales conmutables de fonográfico/línea
- Sección de efectos de BPM con aislamiento de banda controlado por frecuencia
- Conexiones de audio USB dobles para software y dispositivos de audio
- Perillas dedicadas para barrido y efectos de BPM—efectos de alta calidad para cada canal con un solo giro de la perilla
- Ecualizador expresivo—elija modos clásicos o de aislamiento y un control de resonancia de filtro ajustable
- Protocolo Engine Connect para efectos vinculados a la grilla de beats
- Expresivo crossfader Denon DJ Flex-Fader
- Conecte efectos e instrumentos basados en MIDI
- Salida digital de 24 bits/ 96 kHz para una calidad de audio impecable
- Sus nítidas pantallas OLED permiten realizar ajustes precisos en base a los menús
- (4) entradas digitales para mezclas de audio de alta resolución
- Concentrador LAN para hasta cuatro jugadores o accesorios
- Construcción metálica robusta

Contenido de la caja

X1800 Prime	Guía del usuario
Cable USB	Manual sobre la seguridad y garantía
Cable de alimentación	

Soporte

Para obtener la información más reciente acerca de este producto (documentación, especificaciones técnicas, requisitos de sistema, información de compatibilidad, etc.) y registrarlo, visite denondj.com.

Para obtener soporte adicional del producto, visite denondj.com/support.

Instalación

1. Asegúrese de que todos sus dispositivos estén **apagados** o que todos sus niveles de volumen estén en sus posiciones **mínimas**.
2. Conecte las salidas de audio de su reproductor de medios a las entradas del X1800 Prime.
3. Si está utilizando unidades SC5000 Prime conecte sus puertos **Link** a los puertos **Link** del X1800 Prime según uno de los siguientes ejemplos de diagramas de conexión.
4. Conecte otros dispositivos (giradiscos, auriculares, amplificadores de potencia, altavoces, etc.) a las entradas o las salidas del X1800 Prime.
5. Conecte todos sus dispositivos a sus fuentes de corriente.

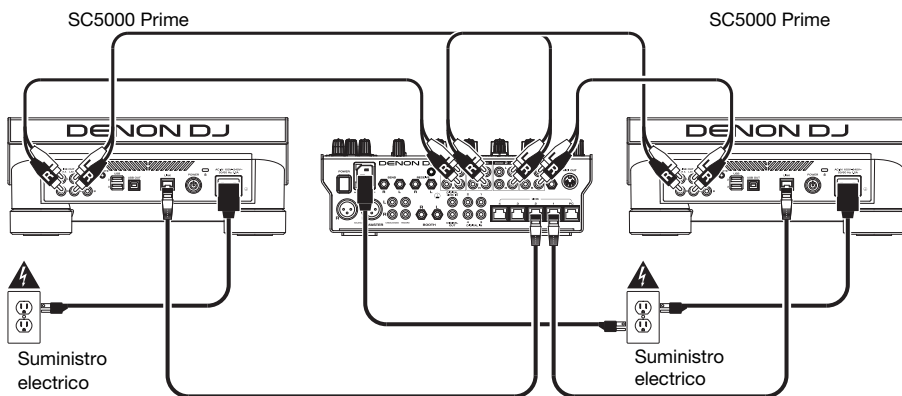
Al iniciar una sesión, encienda (1) sus reproductores de medios y las demás fuentes de entrada, (2) el SC5000 Prime y luego (3) los dispositivos de salida.

Al finalizar una sesión, apague (1) los dispositivos de salida, (2) el SC5000 Prime y luego (3) sus reproductores de medios y las demás fuentes de entrada.

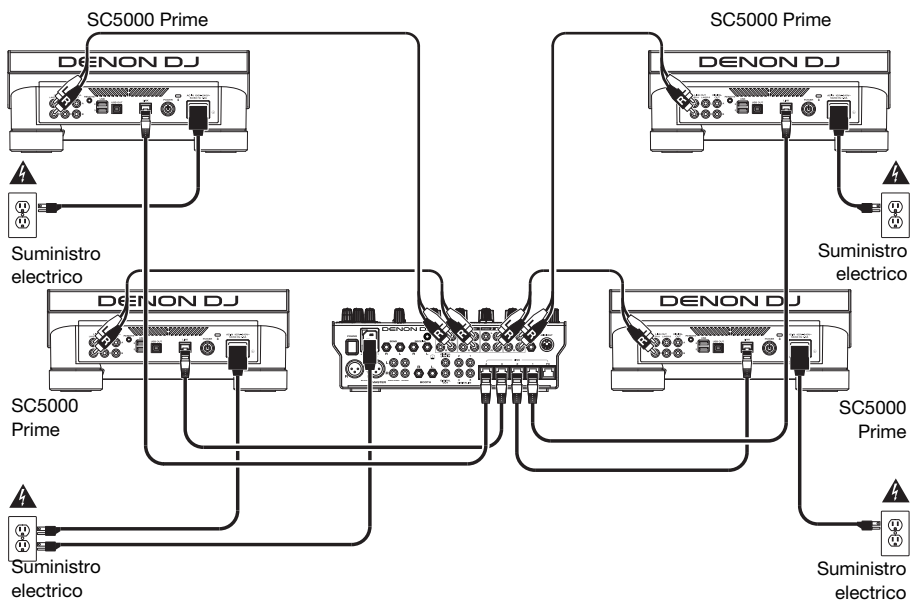
Diagramas de conexión

Los elementos que se muestran pero que no se enumeran en [Introducción > Contenido de la caja](#) se venden por separado.

Ejemplo 1



Ejemplo 2



Conexiones en red

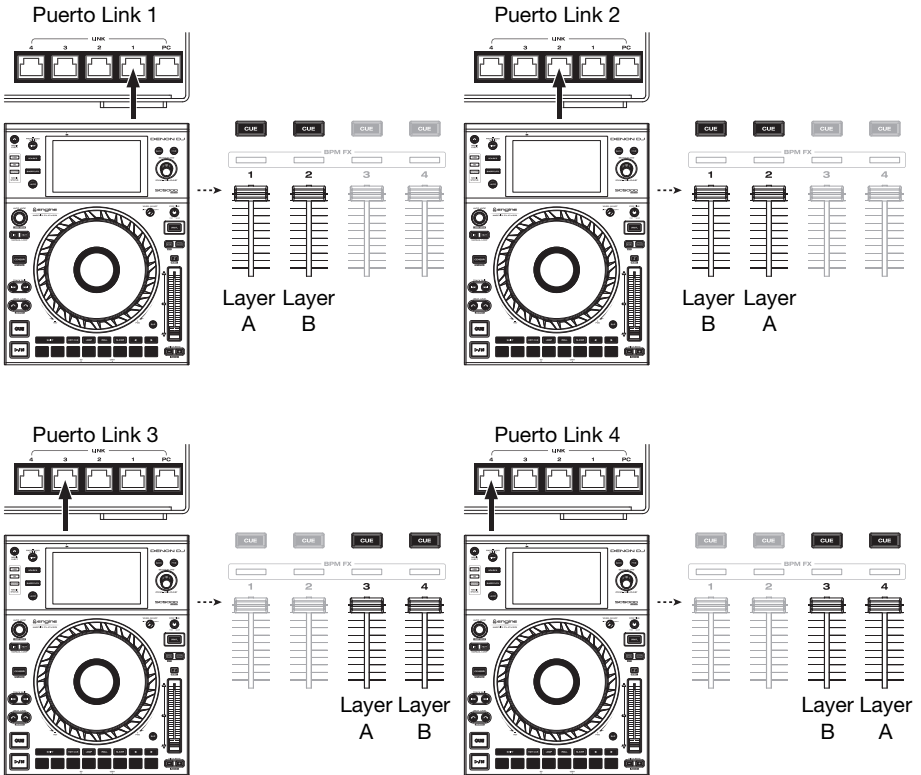
Puede utilizar el X1800 Prime para conectar en red múltiples unidades SC5000 Prime permitiéndoles compartir de forma transparente información de sincronización y BPM con el X1800 Prime (a fin de sincronizar los tempos de los efectos) así como también los datos de la pista y del perfil del usuario con otras unidades SC5000 Prime.

Esta característica brinda algunas ventajas para sus actuaciones. Por ejemplo, si está usando cuatro unidades SC5000 Prime, puede usar una de ellas para explorar **todas** las pistas en todos los dispositivos (unidades USB o tarjetas SD) conectadas a **cualquiera** de estas unidades SC5000 Prime. Entonces podrá reproducir cualquiera de estas pistas inmediatamente sin tener que trasladar un dispositivo desde una unidad a otra.

Para conectar unidades SC5000 Prime entre sí mediante una red, utilice los cables de conexión en red incluidos para conectar cada uno de sus puertos **Link** a un puerto **Link (1-4)** en el panel trasero de su X1800 Prime.

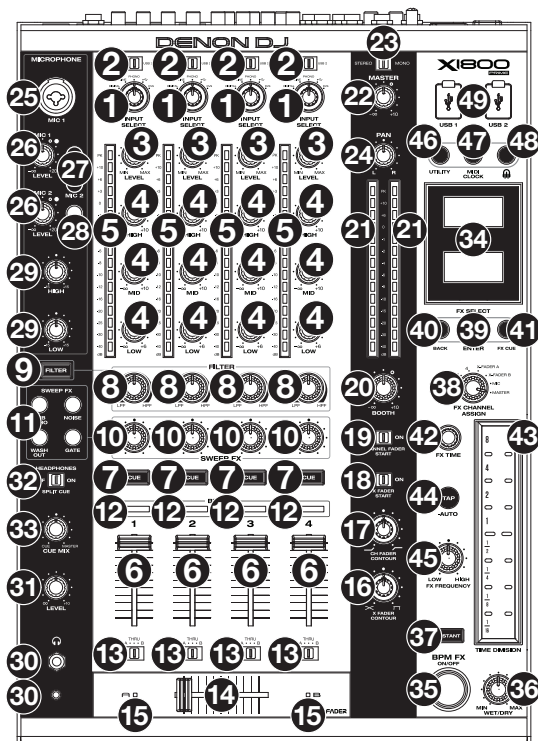
La Luz **Network (Media Status)** en cada unidad SC5000 Prime se encenderá cuando esté correctamente conectada a una red.

Configuración automática con SC5000 Prime:



Características

Panel superior



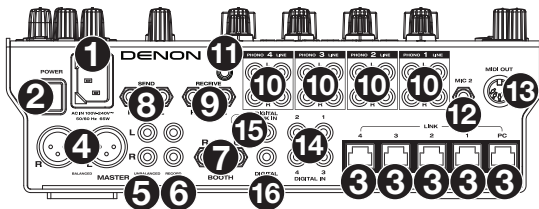
- Input Select:** Gire estas perillas para seleccionar la fuente de audio deseada para cada canal:
 - **Digital:** las **entradas digitales**
 - **Line:** las **entradas de línea**
 - **Phono:** las **entradas fonográficas**
 - **USB:** un ordenador conectado a un **puerto USB**. Utilice el interruptor **USB 1/2** para seleccionar el **puerto USB 1** o el **puerto USB 2**. Cuando lo ajuste a **puerto USB 1** (y con un ordenador conectado a ese puerto), el canal controlará el canal correspondiente en su software.
 - **DVS:** un ordenador conectado al **puerto USB** mientras usa un vinilo de control con un sistema de vinilo digital
- USB 1/2:** Cuando la perilla **Input Select** se ajusta a **USB**, utilice estos interruptores para seleccionar el **puerto USB 1** o el **puerto USB 2** como la fuente. Cuando lo ajuste a **puerto USB 1** (y con un ordenador conectado a ese puerto), el canal controlará el canal correspondiente en su software.
- Level:** Gire estas perillas para ajustar el nivel de la señal de audio del pre-fader y pre-equalizador de cada canal.
- Ecualizador (High, Mid, Low):** Gire estas perillas para aumentar o disminuir las frecuencias altas, medias y bajas de cada canal. Puede usar el menú Utilidades para ajustar el tipo de ecualizador, el cual determina los valores mínimos (corte) y máximos (refuerzo) (consulte [Funcionamiento > Menú Utilidades > EQ](#)).

5. **Medidores de nivel de canal:** Estos LED muestran el nivel de la señal de audio de cada canal, previo al fader del canal.
6. **Fader del canal:** Utilice estos faders para ajustar el nivel del volumen de cada canal.
7. **Cue del canal:** Pulse estos botones para enviar la señal pre-fader de cada canal al canal de cue de los auriculares. Pulse más de uno de estos botones al mismo tiempo para enviar las señales de sus canales al canal de cue simultáneamente.
8. **Perilla Filter:** Gire estas perillas para ajustar el filtro aplicado a cada canal. Gire esta perilla en sentido antihorario para aplicar un filtro pasabajos. Gire esta perilla en sentido horario para aplicar un filtro pasaaltos.
9. **Botón Filter:** Pues este botón para activar o desactivar los filtros (controlados por las **perillas Filter**) en todos los canales.
10. **Perilla Sweep FX:** Gire estas perillas para ajustar el balance entre la señal “con efecto” (la señal de salida del efecto de barrido) y la señal “sin efecto” (el audio sin los efectos de barrido aplicados). Seleccione la posición central (12:00) para seleccionar una señal sin absolutamente ningún efecto.
11. **Botón Sweep FX:** Pulse uno de estos botones para activar o desactivar un efecto que pueda controlar con las **perillas Sweep FX**. Sólo se puede activar uno de estos botones a la vez.
 - **Dub Echo:** Este efecto consta de un breve eco. Partiendo de la posición central (12:00) gire una **perilla Sweep FX** en sentido antihorario para disminuir la longitud del delay (retardo) y aumentar la retroalimentación o gírela en sentido horario para aumentar la longitud del delay así como también la retroalimentación.
 - **Noise:** Este efecto le agrega ruido a la señal. Partiendo de la posición central (12:00), gire una **perilla Sweep FX** en sentido antihorario para agregar ruido rosa o gira en sentido horario para agregar ruido blanco.
 - **Wash Out:** Este botón crea un efecto de transición. Gire una **perilla Sweep FX** a su posición más antihoraria (mínimo) para aplicar un eco de 1 beat que también silenciara la señal de audio normal del canal o gírela a su posición más horaria (máxima) para aplicar un eco de 1/2 beat.
 - **Gate:** Este efecto aplica un efecto de compuerta basada en el tiempo a la señal. Partiendo de la posición central (12:00), gire una **perilla Sweep FX** en sentido antihorario para aplicar un efecto de compuerta sincronizado con el tempo del canal o gírela en sentido horario para realizar lo mismo con un efecto agregado.
12. **Indicadores BPM FX:** Estas luces se encienden para indicar si un canal está seleccionado y afectado por el módulo de efectos de BPM (cuando la perilla **FX Channel Assign** esta ajustada a **Channel 1, 2, 3 o 4**).
13. **Asignación del crossfader:** Aplica el audio que se reproduce en el canal correspondiente a cualquiera de los lados del crossfader—**A** (izquierda) o **B** (derecha)—o puenta el crossfader y envía el audio directamente a la mezcla del programa—**Thru** (centro).
14. **Crossfader:** Utilice este crossfader para mezclar las bandejas activas.
15. **Indicadores del crossfader:** Estas luces se encienden para indicar si un lado del crossfader está seleccionado y afectado por el módulo de efectos (cuando la perilla **FX Channel Assign** se ajusta a **X-Fader A o B**).
16. **X Fader Contour:** Gire esta perilla para ajustar la pendiente del **crossfader**. Gire la perilla a la izquierda para una fusión suave (mezcla) o a la derecha para un corte abrupto (rayado). La posición central es un ajuste típico para actuaciones en clubes.
17. **Ch Fader Contour:** Gire esta perilla para ajustar el nivel de la salida de los **faders de canal**. Gire la perilla en sentido antihorario para utilizar una pendiente que se levante “más tarde” (más cerca del extremo del fader). Gírela en sentido horario para utilizar una pendiente que se levante “más temprano” (casi inmediatamente después de mover el fader de su posición mínima). La posición central es una pendiente lineal.
18. **X Fader Start:** Utilice este interruptor para activar o desactivar el inicio mediante crossfader. Una vez activado, puede iniciar automáticamente la reproducción de las unidades SC5000 Prime asignadas a cada lado del crossfader moviéndolo hacia ese lado.

19. **Channel Fader Start:** Utilice este interruptor para activar o desactivar el inicio del canal mediante fader. Una vez activado, puede iniciar automáticamente la reproducción de las unidades SC5000 Prime conectadas a cada canal moviendo el fader del canal hacia arriba.
20. **Booth:** Gire esta perilla para ajustar el nivel de volumen de las **salidas de cabina**.
21. **Medidores de nivel maestro:** Estos LED exhiben el nivel de la señal de audio de la mezcla maestra (enviada hacia afuera por las **salidas maestras**).
22. **Master:** Gire esta perilla para ajustar el volumen de las **salidas maestras**.
23. **Selector estéreo/mono:** Utilice este interruptor para ajustar la configuración del canal de las salidas maestras: **Estéreo** (audio binaural que utiliza canales izquierdo y derecho separados) o **Mono** (audio monoaural sumado a través de ambos canales izquierdo y derecho).
24. **Pan:** Gire esta perilla para ajustar la posición de la señal de las **salidas maestras** en el campo estéreo.
25. **Entrada de micrófono 1:** Utilice un cable XLR o de 6,35 mm (1/4 pulg.) estándar (no incluido) para conectar a esta entrada un micrófono dinámico estándar. Utilice la perilla **Mic 1 Level** (Nivel del micrófono 1) ubicada en el panel superior para controlar el nivel de volumen.
26. **Mic 1/2 Level:** Gire estas perillas para ajustar los niveles de volumen de las correspondientes entradas de micrófonos. El indicador luminoso junto a cada perilla indica el nivel actual de la señal según su color: **verde** (normal/óptima) o **roja** (máximo/pico).
27. **Mic On/Off:** Pues estos botones para activar o desactivar el micrófono correspondiente.
28. **Talk Over:** Pulse este botón para activar o desactivar la característica “hablar sobre la mezcla”, la cual reduce automáticamente el nivel de volumen de la mezcla maestra cuando se utiliza el micrófono. Puede usar el menú Utilidades para ajustar la medida en la que el nivel de volumen de la mezcla maestra disminuye y que tan rápido regresa a su nivel normal (consulte [Funcionamiento > Menú Utilidades > Microphone](#)).
29. **Ecuador del micrófono (High, Low):** Gire estas perillas para aumentar o disminuir las frecuencias altas y bajas de ambos micrófonos.
30. **Salidas para auriculares:** Conecte los auriculares a estos conectores de 6,35 mm (1/4 pulg.) y 3,5 mm (1/8 pulg.) para monitorizar la señal. Gire la perilla **volumen maestro** para ajustar el volumen.
31. **Nivel de auriculares:** Gire esta perilla para ajustar el volumen de los auriculares.
32. **Split Cue:** Cuando este interruptor está en posición **On** (Activado), se “divide” el audio de los auriculares de modo que todos los canales enviados al canal de cue se suma a mono y se envía al canal del auricular izquierdo y la mezcla maestra se suma a mono y se envía al canal derecho. Cuando el interruptor está en posición **Off** (Desactivado), el canal de cue y la mezcla maestra se “combinan”.
33. **Cue Mix:** Gire esta perilla para ajustar el balance entre la salida de cue y la salida de la mezcla maestra en los auriculares.
34. **Pantallas:** Estas pantallas muestran información actual sobre los efectos y el tempo así como también del menú Utilidades.
35. **FX On/Off:** Pulse este botón para encender o apagar los efectos del módulo de BPM.
36. **Wet/Dry:** Gire esta perilla para ajustar el balance entre la señal “con efecto” (la señal de salida del efecto de BPM) y la señal “sin efecto” (el audio sin los efectos de BPM aplicados).
37. **Instant:** Pues este botón para activar o desactivar el modo Instant FX para la **tira táctil de efectos**.
38. **FX Channel Assign:** Gire esta perilla para seleccionar el canal al cual el módulo de efectos de BPM aplicará sus efectos: **Channel 1, 2, 3, or 4; X-Fader A o B** (ambos lados del crossfader); **Mic** (ambas señales de micrófono); o **Master** (la mezcla maestra).
39. **FX Select/Enter:** Gire esta perilla para seleccionar un efecto. Estando en el menú Utilidades, gire esta perilla para seleccionar una opción y púlsela para confirmar su selección o para entrar a un sub-menú.
40. **Back:** Pulse este botón para regresar a la pantalla anterior del menú Utilidades.
41. **FX Cue:** Pulse este botón para monitorizar los efectos de BPM en el canal de cue de los auriculares. Sin embargo, no todos los efectos de BPM pueden monitorizarse.

42. **FX Time:** Gire esta perilla para seleccionar la frecuencia que el módulo de efectos de BPM utilizará. Pulse la perilla para conmutar entre un ajuste de la frecuencia como división de tiempo y de la frecuencia en milisegundos. (Se encenderá la luz correspondiente a lo largo de la tira táctil de efectos para indicar la división de tiempo actual).
43. **Tira táctil de efectos:** Cuando el botón Instant esté en la posición off (desactivado), toque un área de esta tira táctil capacitiva para seleccionar la división de tiempo que utilizará el módulo de efectos de BPM. Se encenderá la luz correspondiente a lo largo de la tira para indicar la división de tiempo actual. Si la división de tiempo actual no es un valor de cuantificación exhibido en la tira (por ej., el efecto BeatBreak), entonces nos encenderá ninguna de las luces.
- Cuando el botón Instante este en la posición on (activado), toque y mantenga su dedo en la tira para activar los efectos y luego arrastre su dedo hacia arriba o hacia abajo para ajustar la división de tiempo del efecto.
44. **Tap:** Toque este botón al menos 3 veces al tempo deseado para establecer la frecuencia de todos los efectos basados en el tiempo. Mantenga pulsado este botón durante 1 segundo para ajustar el tempo al del canal de esa perilla **FX Channel Assign** (por ej., si el Canal 2 está utilizando un efecto con una frecuencia de 135 BPM y la perilla FX Channel Assign se ajusta al Canal 2, al mantener pulsado este botón se ajustará la frecuencia de todos los efectos basados en el tiempo en **todos** los canales a 135 BPM).
45. **FX Frequency:** Gire esta perilla para seleccionar una banda de frecuencia de la señal de audio a la cual se aplicarán los efectos de BPM. Seleccione la posición central (12:00) para aplicar efectos a la totalidad del espectro de frecuencias.
46. **Utility:** Pulse este botón para entrar o salir del menú de Utilidades, el cual aparecerá en la pantalla. Al salir del menú Utilidades también se guardan todos los cambios realizados.
47. **MIDI Send:** Pulse este botón para enviar un mensaje de MIDI Start por el **puerto USB** o la **salida MIDI output** (Puede usar el menú Utilidades para seleccionar uno). El tempo será el de la selección de la perilla **FX Channel Assign**. Si modifica la selección de la perilla **FX Channel Assign**, mantenga pulsado este botón para enviar el tempo nuevo.
48. **Engine Connect:** Cuando los puertos **Link** se conectan a unidades SC5000 Prime, pulse este botón para permitir que el X1800 Prime reciba información de sincronización y BPM (a fin de sincronizar los tempos de los efectos) y enviar datos de la pista y el perfil del usuario entre las unidades SC5000 Prime.
49. **Puertos USB:** Utilice cables USB estándar para conectar ordenadores a estos puertos USB.

Panel trasero



1. **Entrada de corriente:** Utilice el cable de corriente incluido para conectar esta entrada a una toma de corriente.
2. **Botón de encendido:** Pulse este botón para encender o apagar el X1800 Prime. Encienda el X1800 Prime **después** de haber conectado todos sus dispositivos de entrada y **antes** de encender sus amplificadores y altavoces. Apague sus amplificadores y altavoces **antes** de apagar el X1800 Prime.

3. **Puertos Link:** Use cables de red estándar para conectar estos puertos a sus unidades SC5000 Prime y/o su ordenador. Cada SC5000 Prime puede usar estas conexiones para compartir información de sincronización y BPM con el X1800 Prime (a fin de sincronizar los tempos de los efectos) así como también los datos de la pista y del perfil del usuario con otras unidades SC5000 Prime.
4. **Salidas maestras (XLR balanceadas):** Utilice cables XLR estéreo para conectar estas salidas a un sistema de altavoces o amplificador. Utilice la perilla **Master** (Maestro) ubicada en el panel superior para controlar el nivel de volumen.
5. **Salidas maestras (RCA no balanceadas):** Utilice cables RCA estéreo para conectar estas salidas a un sistema de altavoces o amplificador. Utilice la perilla **Master** (Maestro) ubicada en el panel superior para controlar el nivel de volumen.
6. **Salidas de grabación (RCA):** Utilice cables RCA estándar para conectar estas salidas a una interfaz de grabación, mezclador externo u otro dispositivo. Use el menú Utilidades para seleccionar si la mezcla enviada a estas salidas incluirá o no la señal de audio de los micrófonos (consulte [Funcionamiento > Menú Utilidades > Microphone](#)).
7. **Salida de cabina (6,35 mm/1/4 pulg., TRS):** Utilice cables RCA estándar de 6,35 mm/1/4 pulg. para conectar estas salidas a un sistema de monitores de cabina o amplificador de cabina. Utilice la perilla **Booth** (Cabina) ubicada en el panel superior para controlar el nivel de volumen. Use el menú Utilidades para seleccionar si la mezcla enviada a estas salidas incluirá o no la señal de audio de los micrófonos (consulte [Funcionamiento > Menú Utilidades > Microphone](#)).
8. **Salida de envío (6,35 mm/1/4 pulg., TRS):** Conecte estas salidas a las entradas de un módulo u otro dispositivo de efectos externos. Puede usar el menú Utilidades para ajustar el nivel de esta señal de audio (consulte [Funcionamiento > Menú Utilidades > Advanced Audio](#)).
9. **Entradas de recepción (6,35 mm/1/4 pulg., TRS):** Conecte estas entradas a las salidas de un módulo u otro dispositivo de efectos externos. Puede usar el menú Utilidades para ajustar el nivel de esta señal de audio (consulte [Funcionamiento > Menú Utilidades > Advanced Audio](#)).
10. **Entradas fonográficas/de línea (RCA):** Utilice cables RCA estéreo estándar para conectar estas entradas de nivel de línea o de nivel fonográfico a una fuente de audio externa. Utilice los **selectores de entrada** en el panel superior para determinar si la señal proveniente de las entradas de nivel de línea o de nivel fonográfico se enviarán a cada canal.
11. **Terminal de conexión a tierra:** Si utiliza giradiscos de nivel fonográfico con cable de conexión a tierra, conecte dicho cable a este terminal. Si se experimenta un zumbido grave, puede significar que sus giradiscos no están conectados a tierra.
Nota: Algunos giradiscos tienen el cable de conexión a tierra incorporado a la conexión RCA y, por lo tanto, no es necesario conectar nada al terminal de tierra.
12. **Entrada de micrófono 2 (6,35 mm/1/4 pulg., TRS):** Utilice un cable de 6,35 mm (1/4 pulg.) estándar (no incluido) para conectar a esta entrada un micrófono dinámico estándar. Utilice la perilla **Mic 2 Level** (Nivel del micrófono 1) ubicada en el panel superior para controlar el nivel de volumen.
13. **Salida MIDI:** (DIN de 5 patillas): Use un cable MIDI estándar de para conectar esta salida a la entrada MIDI de un dispositivo MIDI externo. Puede usar el botón **MIDI Send** para enviar mensajes MIDI Start desde esta salida. También puede usar el menú Utilidades para activar o desactivar esta conexión (consulte [Funcionamiento > Menú Utilidades > System](#)).
14. **Digital In (RCA digital):** Utilice cables RCA digitales para conectar estas entradas de 24 bits/96 kHz a las salidas digitales de sus unidades Denon DJ SC5000 Prime.
15. **Digital Link In (RCA digital):** Si está usando más de una unidad X1800 Prime, utilice un cable RCA digital para conectar esta entrada a la **salida digital** de otro X1800 Prime.
16. **Digital Out (RCA digital):** Utilice un cable RCA digital para conectar esta salida a la entrada digital de otra unidad X1800 Prime o a una interfaz externa, mezclador u otro dispositivo. Use el menú Utilidades para ajustar el nivel de la señal saliente (consulte [Funcionamiento > Menú Utilidades > Advanced Audio](#)).

Funcionamiento

Efectos

Módulo de efectos de BPM

Este módulo de efectos integrados le permite aplicar cualquiera de los diversos efectos a canales específicos en base a su tempo actual.

Para activar o desactivar el módulo de efectos de BPM, pulse FX On/Off.

Para seleccionar el canal al cual el módulo de efectos de BPM aplicará sus efectos, gire la perilla FX Channel Assign. Las opciones son: **Channel 1, 2, 3, or 4; X-Fader A o B** (ambos lados del crossfader); **Mic** (ambas señales de micrófono); o **Master** (la mezcla maestra).

Para aplicar o eliminar el efecto desde o hacia el canal de cue, pulse FX Cue. Cuando el botón se encienda, solamente se aplicarán efectos al canal de cue de los auriculares.

Para seleccionar un efecto, gire la perilla FX Select/Enter.

Estos son los efectos disponibles:

- **Echo:** Este efecto agrega ecos de la señal original.
- **Delay:** Este efecto añade instancias repetidas de la señal original las cuales decaen a lo largo del tiempo.
- **Ping Pong:** Este es un efecto de delay estéreo en el que la frecuencia del delay difiere entre los canales izquierdo y derecho.
- **Trans** (transición): Este efecto recorta la señal original a un ritmo constante.
- **Flanger:** Este efecto añade una copia de la señal original con un leve delay para crear un efecto de filtro de peine (a menudo se lo conoce por su similitud con la turbina de un avión).
- **Filter:** Este efecto varía la frecuencia de corte del filtro a un ritmo constante.
- **Phaser:** Este efecto añade una copia de la señal original con su fase desplazada levemente para crear un sutil efecto de modulación.
- **Reverb:** Este efecto le agrega reverberación a la señal original. La cantidad de delay depende del tiempo.
- **Roll:** Este efecto toma muestras de la señal de audio actual y las repite a un ritmo constante en base a la división de tiempo actual.
- **RevRoll** (redoble invertido): Este efecto toma muestras de la señal de audio actual y las repite a la inversa a un ritmo constante en base a la división de tiempo actual.
- **BeatBreak:** Este efecto toma muestras de los cuatro beats de cada barra de la señal original y las reproduce (dentro de la misma barra) siguiendo un patrón predeterminado, creando un efecto de “tartamudeo” o “breakbeat”.

Para seleccionar el patrón a utilizar, gire la perilla FX Time para seleccionar Pattern 0–15, tal como se muestra en la segunda pantalla. Los 16 bloques (■) y/o líneas (___) bajo ellos indican el ritmo del patrón actual de forma similar al secuenciador de pasos de una caja de ritmos: un bloque representa un “golpe”/“nota” y una línea representa un silencio.

Ejemplos:

- ___ ___ ___ ■ ___ ___ ___ ■ ___ ___ ___ indica un golpe en cada beat.
- ■ ___ ■ ___ ■ ___ ■ ___ ■ ___ indica un golpe en cada corchea.
- ■ ■ ■ ■ ■ ■ ■ ■ ■ ■ ■ ■ ■ ■ ■ indica un golpe en cada semi-corchea (en cada nota del patrón).

Use el menú Utilidades para editar los patrones (consulte [Menú Utilidades > Advanced Audio](#)).

- **Scratch:** Este efecto alterna entre la reproducción normal e invertida de cada beat, creando un efecto de rayado de vinilo.
- **SendRtn** (envío/regreso): Esta opción habilitará las salidas de envío y las entradas de recepción, permitiéndole utilizar efectos externos sobre la señal.

Todos los efectos de BPM se basan en el tiempo, de manera que el módulo de efectos de BPM brinda diversas maneras para que pueda introducir o detectar el tiempo que utilizará.

Para ajustar la división de tiempo del módulo de efectos de BPM, realice una de las siguientes acciones:

- Asegúrese de que la división de tiempo (**__ Beat**) esté seleccionada en la pantalla inferior (si no lo está, pulse la perilla **FX Time**) y luego gire la perilla **FX Time** para seleccionar otra división de tiempo.
- Cuando el botón **Instant** esté **apagado**, toque un área de la **tira táctil de efectos** para seleccionar otra división de tiempo. Se encenderá la luz correspondiente a lo largo de la tira para indicar la división de tiempo actual.

Para ajustar el ritmo del módulo de efectos de BPM en milisegundos, asegúrese de que esté seleccionada la frecuencia en milisegundos (**__ ms**) esté seleccionada en la pantalla inferior (si no lo está, pulse la perilla **FX Time** y luego gire la perilla **FX Time** para ajustarla).

Para introducir un tempo nuevo, pulse **Tap** al menos 3 veces al tempo deseado.

Para ajustar el tempo al del canal indicado por la perilla FX Channel Assign, mantenga pulsado **Tap/Auto** durante 1 segundo. (Ejemplo: si el Canal 2 está utilizando un efecto con una frecuencia de 120 BPM y la perilla FX Channel Assign se ajusta al Canal 2, al mantener pulsado este botón se ajustará la frecuencia de todos los efectos basados en el tiempo en **todos** los canales a 120 BPM).

Para ajustar el tempo manualmente, mantenga pulsado **Tap/Auto** y gire la perilla **FX Time** para ajustar los BPM en incrementos de 1. Mientras mantiene pulsado **Tap/Auto** pulse y gire la perilla **FX Time** para ajustar los BPM en incrementos de 0,1.

Puede ajustar fácilmente el balance entre la señal “con efecto” (la señal de salida del efecto de BPM) y la señal “sin efecto” (el audio sin los efectos aplicados).

Para ajustar el balance entre las señales “con” y “sin” efectos, gire la perilla **Wet/Dry**. Como alternativa, utilice la **tira táctil de efectos** estando en Instant FX (consulte [a continuación](#)).

Normalmente usted aplicaría los efectos a la totalidad del espectro de frecuencias, pero el X1800 Prime también le permite aplicarlos a una banda de frecuencia aislada de la señal de audio (del canal seleccionado).

Para seleccionar la banda de frecuencia, gire la perilla **FX Frequency**. Seleccione la posición central (12:00) para aplicar efectos a la totalidad del espectro de frecuencias.

El modo Instant FX le permite usar la tira táctil de efectos para activar el efecto y ajustar su división de tiempo simultáneamente.

Para activar o desactivar el modo Instant FX, pulse Instant. El botón se iluminará cuando se encuentre activado.

Para activar el efecto, toque y mantenga su dedo en la **tira táctil de efectos** y luego arrastre su dedo hacia arriba o hacia abajo para ajustar la división de tiempo del efecto.

Sweep FX

Sweep FX le permite aplicar uno de cuatro efectos a los cuatro canales y “barrerlos” usando las **perillas Sweep FX**. Sólo puede aplicar un efecto de barrido por vez.

Para activar un efecto de barrido, toque uno de los botones Sweep FX: **Dub Echo**, **Noise**, **Wash Out** o **Gate**. El botón se iluminará cuando se encuentre activado. Sólo se puede activar uno de estos botones a la vez.

Para desactivar un efecto de barrido, toque el botón Sweep FX encendido. Como alternativa, pulse un botón Sweep FX diferente para activarlo, lo cual desactivará al anterior.

Estos son los efectos disponibles y cómo cada uno de ellos es controlado por las perillas Sweep FX. Para todos los efectos de barrido, la posición central (“12:00”) de la perilla Sweep FX es la posición mínima (no se aplica el efecto). Al girar la en sentido horario o antihorario desde esa posición se pueden generar diferentes resultados.

- **Dub Echo:** Este efecto añade un breve eco. Gire una **perilla Sweep FX** en sentido antihorario para disminuir la longitud del delay (retardo) y aumentar la retroalimentación o gírela en sentido horario para aumentar la longitud del delay así como también la retroalimentación.
- **Noise:** Este efecto le agrega ruido a la señal. Gire una **perilla Sweep FX** en sentido antihorario para agregar ruido rosa o gira en sentido horario para agregar ruido blanco.
- **Wash Out:** Este botón crea un efecto de transición. Gire una **perilla Sweep FX** a su posición más antihoraria (mínimo) para aplicar un eco de 1 beat que también silenciara la señal de audio normal del canal o gírela a su posición más horaria (máxima) para aplicar un eco de 1/2 beat.
- **Gate:** Este efecto aplica un efecto de compuerta basada en el tiempo a la señal. Gire una **perilla Sweep FX** en sentido antihorario para aplicar un efecto de compuerta sincronizado con el tiempo del canal o gírela en sentido horario para realizar lo mismo con un efecto agregado.

Menú Utilidades

El menú Utilidades le permite personalizar varios ajustes del X1800 Prime que afectan al enrutamiento de la señal de audio, el módulo de efectos, los niveles de entrada y salida y más.

Para entrar o salir del menú Utilidades, pulse **Utility**. Al salir del menú Utilidades también se guardan todos los cambios realizados.

Dentro del menú Utilidades, es posible hacer lo siguiente:

- **Para seleccionar una opción,** gire la perilla **FX Select/Enter**.
- **Para confirmar su selección o entrar a un submenú,** pulse la perilla **FX Select/Enter**.
- **Para volver a la pantalla anterior,** pulse **Back**.

A continuación se encuentran las descripciones de los diferentes submenús del menú Utilidades:

EQ

Estos ajustes determinan la manera en que funcionan las perillas de los ecualizadores de canal.

- **Type:** Seleccione **ISO** para ajustar los rangos de las perillas de los ecualizadores de canal de **-∞** a **+6dB/+10dB** (según los rótulos). Seleccione **EQ** para ajustar los rangos de las perillas de los ecualizadores de canal de **-24dB** a **+6dB** (para otros reproductores que pudieran necesitar este ajuste).
- **High Cross Over:** La frecuencia de crossover entre las perillas High y Mid (agudos y medios) del ecualizador cuando **Type** se ajusta a **ISO: 1000Hz–8000Hz** (en incrementos que varían).
- **Low Cross Over:** La frecuencia de crossover entre las perillas Mid y Low (medios y graves) del ecualizador cuando **Type** se ajusta a **ISO: 100Hz–800Hz** (en incrementos que varían).
- **Reset EQ Default:** Seleccione **OK** para regresar los ajustes de este ecualizador de canal a sus valores predeterminados o seleccione **Cancel** para regresar al menú anterior.

Filter

- **Resonance:** La resonancia de los filtros en los Canales 1-4 (es decir, qué tanto se les permite atravesar el filtro a las frecuencias que se encuentran apenas por afuera de la frecuencia de corte). **0** es un ajuste plano (las frecuencias que se encuentran apenas por afuera de la frecuencia de corte no se escucharán), mientras **15** brinda una resonancia elevada (la frecuencia de corte no es tan “estricta”, por lo que se escucharán algunas frecuencias adyacentes).

Headphones

- **Attenuation:** El nivel de ganancia de la salida de los auriculares. **-15dB** a **0dB**.

Microphone

Estos ajustes afectan a los micrófonos.

- **Gain:** El nivel de ganancia de las entradas de micrófono. **-10dB a +10dB.**
- **Talk Over Level:** Este ajuste determina qué tanto disminuye el nivel de volumen de la mezcla maestra cuando se activa la característica de “hablar sobre la mezcla” del micrófono: de **-20dB a -40dB.**
- **Talk Over Resume:** Cuando se utiliza la característica de “hablar sobre la mezcla”, el volumen de la mezcla maestra regresará a su nivel normal una vez que la entrada del micrófono no detecte ninguna señal entrante. Este ajuste determina si la transición ocurre de forma moderada (**Normal**) o rápida (**Fast**).
- **EQ High:** La banda de frecuencias que se verá afectada por la perilla High del ecualizador del micrófono: **1000Hz–4000Hz** (en incrementos que varían).
- **EQ Low:** La banda de frecuencias que se verá afectada por la perilla Low del ecualizador del micrófono: **500Hz–2000Hz** (en incrementos que varían).
- **Booth Receive:** Seleccione **On** para permitir que la señal del micrófono se envíe a ambas salidas de la cabina y salidas de grabación. Seleccione **Off** para enviar la señal del micrófono a las salidas maestras solamente.
- **Reset Mic Default:** Seleccione **OK** para regresar los ajustes del micrófono a sus valores predeterminados o seleccione **Cancel** para regresar al menú anterior.

Advanced Audio

Estos ajustes determinan el funcionamiento digital del mezclador y otras funciones avanzadas.

- **Sampling Rate:** La tasa de muestreo de la señal de audio USB: **44.1kHz, 48kHz o 96kHz.**
 - **Master Out Level:** Un desplazamiento respecto del nivel de volumen de las salidas maestras: **-15dB a 0dB.**
 - **Booth Out Level:** Un desplazamiento respecto del nivel de volumen de las salidas de la cabina: **-15dB a 0dB.**
 - **USB Audio:** Estos ajustes determinan el enrutamiento y los niveles del audio USB.
 - **CH1–4/Master/Cue Assign:** Estos ajustes determinan los canales de audio USB (1/2–9/10) que recibirán la señal de audio proveniente de los Canales 1–4 (**CH1–CH4**), la mezcla maestra (**Master**) y el canal de cue (**Cue**).
 - **Output Level:** Este ajuste es un desplazamiento respecto del nivel de volumen de la mezcla maestra enviada hacia su ordenador a través de una conexión USB: **-20dB a +20dB.**
 - **Ch Input Level:** Este ajuste es un desplazamiento respecto de las señales de audio enviadas a los Canales 1–4 desde su ordenador a través de una conexión USB: **-20dB a +20dB.**
 - **DVS Setup:** Para los Canales 1–4 (**CH1–CH4**), seleccione el nivel de entrada que utilizará cada uno de ellos cuando su selector de entrada se ajuste a **DVS**. Seleccione **Phono** para utilizar discos de vinilo de control o **Line** para utilizar CD de control.
 - **Digital Settings:**
 - **Digital Out:** Este ajuste es un desplazamiento respecto del nivel de volumen de la señal de audio enviada desde la salida digital: **-20dB a +20dB.**
 - **Digital Link:** Seleccione **On** para sumar a la señal saliente antes de la perilla **Master** y la perilla **Booth**, las cuales puede utilizar para controlar su nivel de salida. Seleccione **Off** para sumar a la señal saliente después de la perilla **Master** y la perilla **Booth**, las cuales no afectarán su nivel de salida.
 - **Link Level:** Este ajuste es un desplazamiento respecto del nivel de volumen de la señal de audio enviada a la entrada Digital Link (enlace digital): **-20dB a +20dB.**
 - **Cross Fader Cut:** Estos ajustes determinan qué tanto debe mover el crossfader desde cada lado (**Fader Cut A o B**) para que empiece a afectar a la señal de audio: **-2.0mm a 2.0mm**
 - **FX Edit:**
 - **FX Return:** Este es el nivel de unidad para las salidas de envío y las entradas de recepción: **-10dB–0dB.** Es posible que tenga que modificar este ajuste en base a los tipos de efectos externos que esté utilizando.
 - **Beat Break Edit:** Este menú le permite seleccionar, editar y almacenar patrones para el efecto BeatBreak. Consulte **Efectos > Módulo de efectos de BPM** para obtener más información sobre el funcionamiento de este efecto.
- Como editar un patrón:**
1. Gire la perilla **FX Select/Enter** para seleccionar un patrón (**1–16**) y luego púlsela.
 2. Gire la perilla **FX Select/Enter** para seleccionar una de las 12 semicorcheas del patrón. No es posible editar los cuatro beats principales del patrón; siempre sonarán ya que contienen el audio que se está muestreando.
Pulse la perilla **FX Select/Enter** para modificar el beat de un “golpe”/“nota”(■) a un silencio (_) o viceversa.
Repita este paso si lo desea.
 3. Pulse **Back** para volver a la pantalla anterior.

- **FX List Customize:** Utilice esta pantalla para personalizar el orden de los efectos. Gire la perilla **FX Select/Enter** para seleccionar un efecto de la lista de efectos disponibles del lado izquierdo y luego pulse esta perilla para añadir al efecto al nuevo orden del lado derecho. Repita este paso para cada efecto o seleccione **-Cancel-** para regresar a la pantalla anterior. Una vez que haya realizado esto para todos los efectos, seleccione **-End-** para guardar su lista personalizada.
- **BPM FX On Color:** Este ajuste determina el color del botón FX On/Off cuando parpadea: **red, spring green, green, light blue, blue, yellow, orange o purple.**

System

Estos ajustes determinan el funcionamiento general.

- **Info:** Estas pantallas contienen información sobre la versión actual del firmware y sobre la red.
 - **Version:** Indica la versión actual del firmware del X1800 Prime.
 - **IP Address:** Es la dirección IP que está utilizando el X1800 Prime.
 - **MAC Address:** Es la dirección MAC que está utilizando el X1800 Prime.
- **Engine Connect:** Seleccione **Auto** para permitir que el X1800 Prime reciba de forma automática información de sincronización y BPM (a fin de sincronizar los tiempos de los efectos) desde las unidades SC5000 Prime conectadas a sus puertos Link y para enviar datos de la pista y el perfil del usuario entre ellas. El X1800 Prime también detectará y configurará de forma automática cada SC5000 Prime una vez que conecte sus puertos Link. Seleccione **Manual** para desactivar el enlace automático y sólo activar esta característica de forma manual manteniendo pulsado el botón **Engine Connect** hasta que aparezca la pantalla Channel Assignment en las unidades SC5000 Prime. Entonces podrá asignar libremente cada capa de SC5000 Prime a un canal específico.
- **Cue Settings:**
 - **Cue Solo Mode:** Seleccione **On** para usar los botones Channel Cue como botones de “solo” (al pulsar uno se silenciarán todos los demás canales). Seleccione **Off** para usarlos como botones de cue normales (al pulsar uno se enviará su señal al canal de cue).
 - **Cue 1–4 Color:** Este ajuste determina el color de los botones Cue de cada canal: **red, spring green, green, light blue, blue, yellow, orange o purple.**
 - **Reset Cue Defaults:** Seleccione **OK** para regresar los ajustes de cue a sus valores predeterminados o seleccione **Cancel** para regresar al menú anterior.
- **Network Settings:**
 - **Refresh IP Address:** Seleccione **OK** para renovar su dirección IP, lo cual reestablece la conexión entre su X1800 Prime y cualquier otra unidad SC5000 Prime conectada a los puertos Link. Seleccione **Cancel** para regresar a la pantalla anterior.
- **MIDI:** Estos son ajustes de MIDI que determinan los canales y conexiones MIDI que se utilizarán.
 - **Clock Send:** Estos ajustes determinan si el X1800 Prime enviará mensajes de MIDI Clock a través de cada una de estas conexiones. Para cada opción, seleccione **On** para activar la transmisión u **Off** para desactivarla.
 - **USB:** Esto aplica a ambos **puertos USB 1 y 2**. Si está utilizando el X1800 Prime para controlar software, ajústelo a **On**.
 - **5pin:** Esto aplica a la **salida MIDI**.
 - **Active Send:** Estos ajustes determinan si el X1800 Prime enviará mensajes de MIDI normales a través de cada una de estas conexiones. Para cada opción, seleccione **On** para activar la transmisión u **Off** para desactivarla.
 - **USB:** Esto aplica a ambos **puertos USB 1 y 2**. Si está utilizando el X1800 Prime para controlar software, ajústelo a **On**.
 - **5pin:** Esto aplica a la **salida MIDI**.
- **Factory Reset:** Seleccione **OK** para regresar al X1800 Prime a sus valores predeterminados de fábrica (espere unos segundos después de seleccionar esta opción antes de reanudar la operación normal). Seleccione **Cancel** para regresar a la pantalla anterior.

Guide d'utilisation (Français)

Présentation

Caractéristiques :

- Console de mixage numérique à 4 canaux avec 4 canaux phono/ligne commutables
- Section d'effets BPM avec isolation des bandes des fréquences
- Doubles connexions audio USB pour logiciels et périphériques audio
- Boutons de balayage et d'effets BPM dédiés — effets de haute qualité pour chaque canal avec une simple rotation de bouton
- Égalisation expressive, choisir entre les modes Classic ou Isolation et une commande de résonance du filtre réglable
- Protocole Engine Connect pour verrouiller des effets sur la grille de battement
- Crossfader expressif Flex-Fader de Denon DJ
- Connecter des effets et des instruments MIDI
- Sortie numérique 24 bits/96 kHz pour une qualité audio sans compromis
- Écran OLED pour des réglages précis à partir de menus
- 4 entrées numériques pour un mixage audio à haute résolution
- Concentrateur réseau pour jusqu'à quatre lecteurs ou accessoires
- Construction robuste en métal

Contenu de la boîte

X1800 Prime	Guide d'utilisation
Câble USB	Consignes de sécurité et informations concernant la garantie
Câble d'alimentation	

Assistance

Pour les toutes dernières informations concernant la documentation, les spécifications techniques, la configuration requise, la compatibilité et l'enregistrement du produit, veuillez visiter denondj.com.

Pour de l'assistance supplémentaire, veuillez visiter denondj.com/support.

Installation

1. Veillez à ce que tous les appareils soient **hors tension** et que tous les niveaux soient au réglage **minimum**.
2. Reliez les sorties audio de vos lecteurs multimédias aux entrées de la X1800 Prime.
3. Si vous utilisez plusieurs appareils SC5000 Prime, reliez leurs ports **Link** aux ports **Link** de la X1800 Prime selon l'un des schémas de connexion suivants.
4. Branchez tous les autres appareils (platines, casque d'écoute, amplificateurs de puissance, enceintes, etc.) aux entrées et sorties de la X1800 Prime.
5. Branchez tous les appareils à l'alimentation secteur.

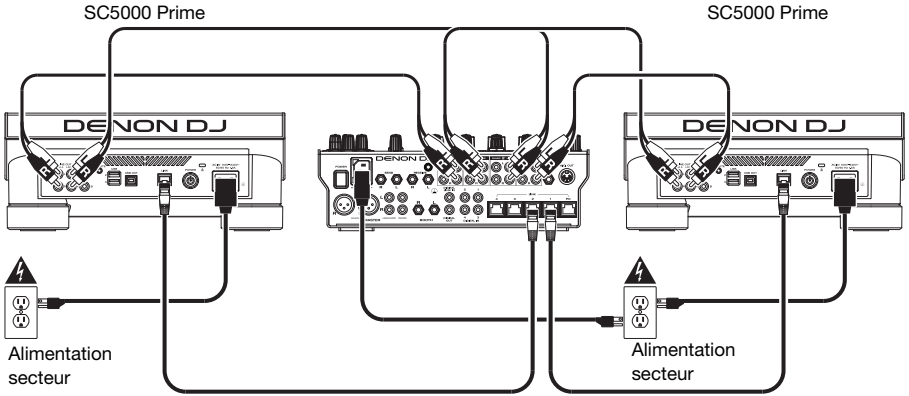
Lors de la mise en marche, commencez par allumer **(1)** les lecteurs multimédias et les autres sources d'entrée, **(2)** la X1800 Prime, puis **(3)** les appareils de sortie.

Lors de la mise hors tension, commencez par fermer **(1)** les appareils de sortie, **(2)** la X1800 Prime, puis **(3)** les lecteurs multimédias.

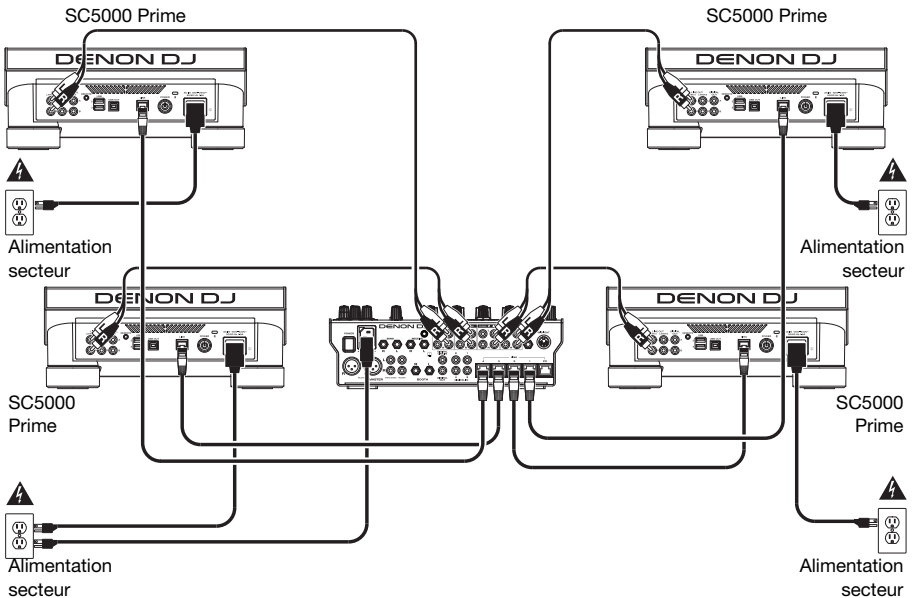
Schémas de connexion

Les articles qui ne figurent pas dans la section [Présentation > Contenu de la boîte](#) sont vendus séparément.

Exemple 1



Exemple 2



Réseau

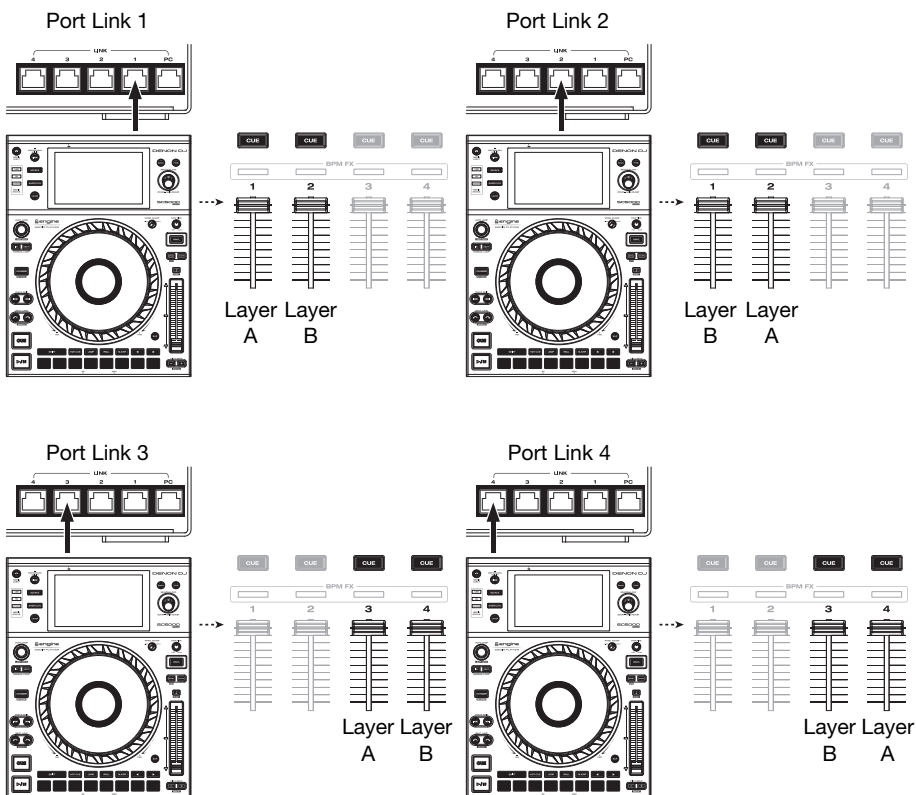
Vous pouvez utiliser la X1800 Prime afin de mettre en réseau plusieurs SC5000 Prime, leur permettant de partager des informations de minutage et de BPM avec la X1800 Prime, ainsi que des données de piste et d'utilisateur.

Cette fonctionnalité offre plusieurs avantages lors de prestations. Par exemple, si vous utilisez quatre SC5000 Prime, vous pouvez utiliser l'un d'eux pour parcourir **toutes** les pistes sur **tous** les périphériques (lecteurs USB ou cartes SD) connectés à ces SC5000 Prime. Vous pouvez ensuite faire la lecture de l'une des pistes immédiatement sans avoir à déplacer le périphérique d'un appareil à l'autre.

Pour mettre en réseau des SC5000 Prime, veuillez utiliser les câbles de réseau inclus afin de relier leurs ports **Link** aux ports **Link (1-4)** du panneau arrière de la X1800 Prime.

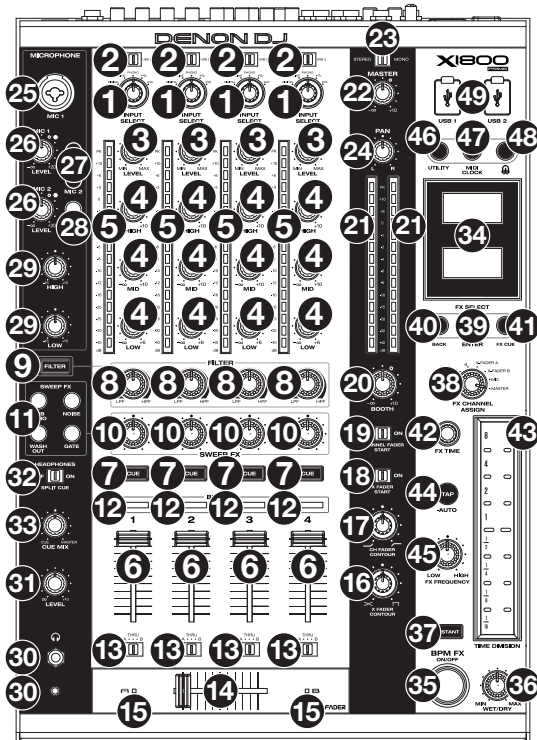
Le témoin réseau (**Media Status**) de chaque SC5000 Prime s'allume lorsque l'appareil est correctement connecté à un réseau.

Configuration automatique avec SC5000 Prime :



Caractéristiques

Panneau supérieur



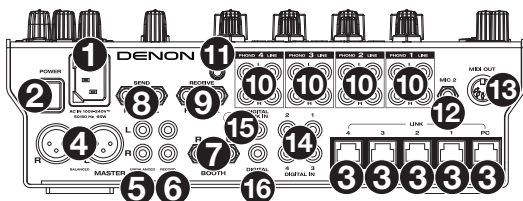
- Input Select** : Ces boutons permettent de sélectionner la source audio pour chaque canal :
 - **Digital** : les entrées numériques
 - **Line** : les entrées ligne
 - **Phono** : les entrées phono
 - **USB** : un ordinateur branché à un **port USB**. Utilisez le sélecteur **USB 1/2** afin de sélectionner le **port USB 1** ou le **port USB 2**. Lorsque le **port USB 1** est sélectionné (et qu'un ordinateur est branché à ce port), le canal commande le canal correspondant dans le logiciel.
 - **DVS** : un ordinateur branché à un **port USB** et utilisant la commande vinyle avec un système vinyle numérique
- USB 1/2** : Lorsque le bouton **Input Select** est réglé sur **USB**, ces sélecteurs permet de sélectionner le **port USB 1** ou le **port USB 2** comme source. Lorsque le **port USB 1** est sélectionné (et qu'un ordinateur est branché à ce port), le canal commande le canal correspondant dans le logiciel.
- Level** : Ces boutons permettent d'ajuster le niveau pré-atténuation et pré-égalisation du signal audio de chaque canal.
- Égalisation (High, Mid et Low)** : Ces boutons permettent d'augmenter ou de couper les hautes, moyennes et basses fréquences de chaque canal. Vous pouvez utiliser le menu Utility pour définir le type d'égalisation afin de déterminer les valeurs minimales (couper) et maximales (augmenter) (veuillez consulter la section [Fonctionnement > Menu Utility > EQ](#)).

5. **Vumètres des canaux** : Ces DEL indiquent le niveau pré-atténuation du signal audio de chaque canal.
6. **Curseur du canal** : Ces curseurs permettent de régler le volume de chaque canal.
7. **Cue** : Ces touches permettent d'acheminer le signal pré-atténuation de chaque canal au canal de pré-écoute. Appuyer sur plus d'une de ces touches en même temps permet d'acheminer le signal de chaque canal au canal de pré-écoute simultanément.
8. **Bouton Filter** : Ces boutons permettent de régler le filtre de chaque canal. Tourner le bouton dans le sens antihoraire permet d'appliquer un filtre passe-bas et tourner le bouton dans le sens horaire permet d'appliquer un filtre passe-haut.
9. **Touche Filter** : Cette touche permet d'activer et de désactiver les filtres (commandés par les **boutons Filter**) sur tous les canaux.
10. **Bouton Sweep FX** : Ces boutons permettent de régler l'équilibre entre le signal traité (signal de sortie de l'effet de balayage) et le signal non traité (signal sans effets de balayage). Sélectionnez la position centrale (12 h) pour un signal entièrement non traité.
11. **Touches Sweep FX** : Ces touches permettent d'activer et de désactiver un effet commandé par les **boutons Sweep FX**. Seulement une des touches peut être activée à la fois.
 - **Dub Echo** : Cet effet permet d'ajouter un bref écho. Tourner un des **boutons Sweep FX** dans le sens antihoraire à partir de la position centrale (12 h) permet de diminuer la longueur du délai et d'augmenter la rétroaction, et tourner dans le sens horaire permet d'augmenter la longueur du délai ainsi que la rétroaction.
 - **Noise** : Cet effet permet d'ajouter du bruit au signal. Tourner un des **boutons Sweep FX** dans le sens antihoraire à partir de la position centrale (12 h) permet d'ajouter du bruit rose, et tourner dans le sens horaire permet d'ajouter du bruit blanc.
 - **Wash Out** : Ceci permet d'ajouter un effet de transition. Tourner un des **boutons Sweep FX** dans le sens antihoraire jusqu'à sa position minimum permet d'ajouter un effet d'un écho d'un temps qui met en sourdine le signal audio normal du canal, et tourner dans le sens horaire jusqu'à sa position maximum permet d'appliquer un écho d'un demi-temps.
 - **Gate** : Ceci permet d'ajouter au signal un effet de gate basé sur le temps. Tourner un des **boutons Sweep FX** dans le sens antihoraire à partir de la position centrale (12 h) permet d'ajouter un effet de gate synchronisé au tempo du canal, et tourner dans le sens horaire permet de faire de même avec un effet ajouté.
12. **Indicateurs BPM FX** : Ces témoins s'allument lorsqu'un canal est sélectionné et modifié par le module d'effets BPM (lorsque le bouton **FX Channel Assign** est réglé sur **Channel 1, 2, 3 ou 4**).
13. **Affectation du crossfader** : Ce commutateur permet d'acheminer l'audio du canal correspondant à l'un des côtés du crossfader — **A** (gauche) ou **B** (à droite) — ou de contourner le crossfader et d'acheminer l'audio directement au programme mix — **Thru** (centre).
14. **Crossfader** : Ce crossfader permet de mélanger les signaux des modules actifs.
15. **Indicateurs du crossfader** : Ces témoins s'allument lorsqu'un des côtés du crossfader est sélectionné et modifié par le module d'effets (lorsque le bouton **FX Channel Assign** est réglé sur **X-Fader A ou B**).
16. **X Fader Contour** : Ce bouton permet de régler l'intensité du fondu du **crossfader**. Tourner dans le sens antihoraire permet d'obtenir un fondu progressif (mixage) et tourner dans le sens horaire permet d'obtenir une coupure nette (scratch). La position centrale est typiquement utilisée dans les clubs.
17. **Ch Fader Contour** : Ce bouton permet de régler l'intensité du fondu des **curseurs des canaux**. Tourner dans le sens antihoraire permet d'obtenir un fondu avec qui augmente en intensité « plus tard » (plus près de la position maximale du curseur). Tourner dans le sens horaire permet d'obtenir un fondu avec qui augmente « plus tôt » (plus près de la position minimale du curseur). La position centrale est linéaire.
18. **X Fader Start** : Ce commutateur permet d'activer ou de désactiver la fonction de commande à distance du crossfader (crossfader start). Lorsqu'elle est activée, vous pouvez lancer automatiquement la lecture des SC5000 Prime affectés à chaque côté du crossfader en déplaçant le crossfader vers ce côté.

19. **Channel Fader Start** : Ce commutateur permet d'activer ou de désactiver la fonction de commande à distance du curseur du canal (channel fader start). Lorsqu'elle est activée, vous pouvez lancer automatiquement la lecture des SC5000 Prime affectés à chaque canal en déplaçant le curseur du canal vers le haut.
20. **Booth** : Ce bouton permet de régler le niveau du volume des **sorties cabine**.
21. **Vumètres de niveau principal** : Ces DEL indiquent le niveau du signal audio du mix principal (acheminé aux **sorties principales**).
22. **Master** : Ce bouton permet de régler le niveau du volume des **sorties principales**.
23. **Sélecteur stéréo/mono** : Ce sélecteur permet de définir la configuration de canal des sorties principales : **Stereo** (signal audio binaural transmis de façon séparée aux canaux gauches et droits) ou **Mono** (signal audio monaural transmis de façon combinée aux canaux gauches et droits).
24. **Pan** : Ce bouton permet de régler la position du signal des **sorties principales** dans le champ stéréo.
25. **Entrée Mic 1** : Cette entrée permet de brancher un microphone électrodynamique standard en utilisant un câble XLR ou 6,35 mm (non inclus). Le niveau du signal de cette entrée est commandé par le bouton **Mic 1 Level** du panneau supérieur.
26. **Mic 1/2 Level** : Ces boutons permettent d'ajuster le volume des entrées microphone correspondantes. Le témoin à côté de chaque bouton indique les niveaux du signal actuel selon sa couleur : **vert** (normal/optimal) ou **rouge** (maximum/crête).
27. **Mic On/Off** : Ces touches permettent d'activer et de désactiver le microphone correspondant.
28. **Talk Over** : Cette touche permet d'activer et de désactiver la fonction « talkover », qui réduit automatiquement le niveau de volume du mix principal lorsque vous parlez dans le microphone. Vous pouvez utiliser le menu Utility pour définir la quantité d'atténuation apportée au signal et la rapidité avec laquelle il retourne à son niveau normal (veuillez consulter la section [Fonctionnement > Menu Utility > Microphone](#)).
29. **Égalisation microphone (High, Low)** : Ces boutons permettent d'augmenter ou de couper les hautes et basses fréquences des deux microphones.
30. **Sorties casque d'écoute** : Cette sortie permet de brancher un casque d'écoute 6,35 mm ou 3,5 mm afin de contrôler le signal. Le niveau de ces sorties est commandé par le bouton **Headphone Level**.
31. **Headphone Level** : Ce bouton permet d'ajuster le volume des sorties casque.
32. **Split Cue** : Lorsque ce sélecteur est à **On**, l'audio du casque sera partagé afin que tous les canaux envoyés au canal cue soient combinés en mono et ajoutés au canal casque gauche et que le mix principal soit combiné en mono et ajouté au canal droit. Lorsque le sélecteur est à **Off**, l'audio du canal cue et du mix principal sont combinés.
33. **Cue-Mix** : Ce bouton permet d'ajuster l'équilibre entre les niveaux des signaux de pré-écoute et du mix principal transmis au casque d'écoute.
34. **Écrans d'affichage** : Ces écrans affichent des informations actuelles sur les effets et le tempo ainsi que le menu Utility.
35. **FX On/Off** : Cette touche permet d'activer et de désactiver le module d'effets BPM.
36. **Wet/Dry** : Ce bouton permet de régler l'équilibre entre le signal traité (signal de sortie du module d'effets BPM) et le signal non traité (signal sans effets BPM).
37. **Instant** : Cette touche permet d'activer et de désactiver le mode Instant FX pour la **barre tactile de effets**.
38. **FX Channel Assign** : Ce bouton permet de sélectionner le canal auquel seront ajoutés les effets du module d'effets BPM. **Channel 1, 2, 3 ou 4**; **X-Fader A** ou **B** (un côté ou l'autre du crossfader) ; **Mic** (les deux signaux des microphones) ; ou **Master** (le mix principal).
39. **FX Select/Enter** : Ce bouton permet de sélectionner un effet à ajouter au signal. Alors que dans le menu Utility, ce bouton permet de sélectionner une option et l'enfoncer permet de confirmer la sélection ou d'accéder à un sous-menu.
40. **Back** : Lors de l'affichage du menu Utility, cette touche permet de revenir à la fenêtre précédente.
41. **FX Cue** : Cette touche permet de pré-écouter les effets ajoutés via le canal de pré-écoute. Cependant, certains des effets BPM ne peuvent être pré-écouter via le canal de pré-écoute.

42. **FX Time** : Ce bouton permet de régler la fréquence de l'effet utilisée par le module d'effets BPM. Appuyer sur le bouton permet de basculer entre le réglage de l'effet selon une valeur en division temporelle et valeur en millisecondes. (Un témoin s'allume sur la barre tactile des effets afin d'indiquer la division temporelle actuelle.)
43. **Barre tactile des effets** : Lorsque la touche Instant est désactivée, taper sur cette barre tactile capacitive permet de sélectionner la division temporelle qui sera utilisée par le module d'effets BPM. Un témoin s'allume sur la barre tactile des effets afin d'indiquer la division temporelle actuelle. Si la division temporelle actuelle n'est pas une valeur de quantification indiquée sur la barre (p. ex., l'effet BeatBreak), alors aucune des lumières ne s'allume. Lorsque la touche Instant est activée, taper et maintenir un doigt sur la barre permet d'activer les effets, et faire glisser le doigt vers le haut ou vers le bas permet de régler la division temporelle de l'effet.
44. **Tap** : Taper cette touche à 3 reprises au tempo désiré permet de régler la vitesse des effets à base temporelle. Maintenir cette touche enfoncée pendant 1 seconde permet de régler le tempo selon celui du canal du bouton **FX Channel Assign** (p. ex., si le canal 2 utilise un effet avec une valeur de 135 BPM et que le bouton **FX Channel Assign** est réglé sur le canal 2, enfoncer et maintenir cette touche régler la valeur de tous les effets à base temporelle de **tous** les canaux à 135 BPM).
45. **FX Frequency** : Ce bouton permet de sélectionner la bande de fréquence du signal audio sur laquelle des effets BPM seront ajoutés. Sélectionner la position centrale (12 h) permet d'ajouter les effets sur l'ensemble du spectre des fréquences.
46. **Utility** : Cette touche permet d'accéder et de quitter le menu Utility. Quitter le menu Utility enregistre également toutes les modifications apportées aux menus.
47. **MIDI Send** : Cette touche permet de transmettre un message MIDI Start par le biais du **port USB** ou de la **sortie MIDI** (sélectionné dans le menu Utility). Le tempo sera en fonction de la sélection du bouton **FX Channel Assign**. Si vous modifiez la sélection du bouton **FX Channel Assign**, maintenez cette touche enfoncée afin de transmettre le nouveau tempo.
48. **Engine Connect** : Lorsque les ports **Link** sont reliés à des SC5000 Prime, appuyer sur cette touche permet d'activer la connexion par laquelle la X1800 Prime peut recevoir des informations de minutage et de BPM (pour synchroniser les tempos d'effet), ainsi que transmettre des données de piste et d'utilisateur entre les SC5000 Prime.
49. **Ports USB** : Utilisez des câbles USB standards afin de brancher des ordinateurs à ces ports USB.

Panneau arrière



- Entrée d'alimentation** : Utilisez le câble d'alimentation fourni pour brancher cette entrée à une prise secteur.
- Interrupteur d'alimentation** : Cette touche permet de mettre la X1800 Prime sous et hors tension. Veuillez mettre la X1800 Prime sous tension uniquement **après** avoir raccordé tous les appareils d'entrée et **avant** de mettre les amplificateurs et enceintes sous tension. Veuillez mettre les amplificateurs et les enceintes hors tension **avant** de mettre la X1800 Prime hors tension.

3. **Ports Link** : Ces ports permettent de brancher des SC5000 Prime et/ou un ordinateur en utilisant des câbles réseau. Chaque SC5000 Prime du réseau peut utiliser cette connexion afin de partager des informations de minutage et de BPM avec la X1800 Prime (afin de synchroniser les effets tempo), ainsi que des données de piste et d'utilisateur avec d'autres SC5000 Prime.
4. **Sorties principales (XLR symétriques)** : Ces sorties permettent de brancher des enceintes ou un système d'amplification en utilisant des câbles XLR standard. Le niveau du signal de ces sorties est commandé par le bouton **Master** du panneau supérieur.
5. **Sorties principales (RCA asymétriques)** : Ces sorties permettent de brancher des enceintes ou un système d'amplification cabine en utilisant des câbles RCA standard. Le niveau du signal de ces sorties est commandé par le bouton **Master** du panneau supérieur.
6. **Sorties d'enregistrement (RCA)** : Ces sorties permettent de brancher une interface d'enregistrement, une console de mixage externe, etc., en utilisant des câbles RCA standard. Utilisez le menu Utility afin de sélectionner l'option d'inclure le signal audio des microphones dans le mix acheminé à ces sorties (veuillez consulter la section [Fonctionnement > Menu Utility > Microphone](#)).
7. **Sorties cabine (6,35 mm, TRS)** : Ces sorties permettent de brancher des enceintes cabine ou un système d'amplification cabine en utilisant des câbles 6,35 mm standards. Le niveau du signal de ces sorties est commandé par le bouton **Booth** du panneau supérieur. Utilisez le menu Utility afin de sélectionner l'option d'inclure le signal audio des microphones dans le mix acheminé à ces sorties (veuillez consulter la section [Fonctionnement > Menu Utility > Microphone](#)).
8. **Sorties Send (6,35 mm, TRS)** : Ces sorties permettent de relier un module d'effets externe ou un autre appareil. Utilisez le menu Utility afin de régler le niveau du signal audio (veuillez consulter la section [Fonctionnement > Menu Utility > Advanced Audio](#)).
9. **Entrées Receive (6,35 mm, TRS)** : Ces entrées permettent de relier un module d'effets externe ou un autre appareil. Utilisez le menu Utility afin de régler le niveau du signal audio (veuillez consulter la section [Fonctionnement > Menu Utility > Advanced Audio](#)).
10. **Entrées Phono/Line (RCA)** : Ces entrées à niveau ligne ou phono permettent de brancher des sources audio externe en utilisant des câbles RCA standard. Utilisez les **sélecteurs d'entrée** sur le panneau supérieur pour définir lequel des signaux des entrées à niveau ligne ou des entrées phono sera envoyé à chaque canal.
11. **Borne de mise à la terre** : Si vous utilisez des platines vinyle phono avec fil de mise à la terre, veillez à relier le fil à cette borne. S'il y a un ronflement ou du bruit, il se pourrait que vos platines vinyle ne soient pas mises à la terre.
Remarque : Certaines platines vinyle sont dotées d'un fil de mise à la terre intégré à la connexion RCA, et donc, n'ont pas besoin d'être reliées à la borne de mise à la terre.
12. **Entrée microphone 2 (6,35 mm, TRS)** : Cette entrée permet de brancher un microphone électrodynamique standard en utilisant un câble 6,35 mm (non inclus). Le niveau du signal de cette entrée est commandé par le bouton **Mic 2 Level** du panneau supérieur.
13. **Sortie MIDI (DIN à cinq broches)** : Cette sortie permet de relier l'entrée MIDI d'un appareil MIDI externe en utilisant un câble MIDI DIN à cinq broches standard. Cette sortie vous permet de transmettre un message MIDI Start en utilisant la touche **MIDI Send**. Vous pouvez utiliser le menu Utility afin d'activer et de désactiver cette connexion (veuillez consulter la section [Fonctionnement > Menu Utility > System](#)).
14. **Digital In (RCA numérique)** : Ces entrées 24 bits/96 kHz permettent de relier les sorties numériques des SC5000 Prime de Denon DJ en utilisant des câbles RCA numériques.
15. **Digital Link In (RCA numérique)** : Lors de l'utilisation de plus d'une X1800 Prime, utilisez un câble RCA numérique pour brancher cette entrée à la sortie numérique d'une autre X1800 Prime.
16. **Digital Out (RCA) numérique** : Cette sortie permet de relier l'entrée numérique d'une autre X1800 Prime, d'une interface externe, d'une console de mixage, ou autre appareil, en utilisant un câble RCA numérique. Utilisez le menu Utility afin de régler le niveau du signal audio sortant (veuillez consulter la section [Fonctionnement > Menu Utility > Advanced Audio](#)).

Fonctionnement

Effets

Module d'effets BPM

Le module d'effet intégré vous permet d'appliquer des effets à des canaux spécifiques en fonction de son tempo actuel.

Afin d'activer et de désactiver le module d'effets BPM, appuyez sur la touche **FX On/Off**.

Afin de sélectionner le canal auquel seront ajoutés les effets du module d'effets BPM, tournez le bouton **FX Channel Assign**. Les options sont les suivantes : **Channel 1, 2, 3** ou **4** ; **X-Fader A** ou **B** (un côté ou l'autre du crossfader) ; **Mic** (les deux signaux des microphones) ; ou **Master** (le mix principal).

Pour ajouter ou supprimer l'effet vers ou depuis le canal de pré-écoute, appuyez sur la touche **FX Cue**. Lorsque la touche est allumée, les effets seront ajoutés au canal de pré-écoute seulement.

Pour sélectionner un effet, tournez le bouton **FX Select/Enter**.

Les effets disponibles sont :

- **Echo** : Cet effet permet d'ajouter de l'écho au signal original.
- **Delay** : Cet effet permet d'ajouter des parties répétées du signal original qui s'affaiblissent avec le temps.
- **Ping-pong** : Cet effet permet d'ajouter un délai stéréo dont la vitesse diffère entre les canaux gauche et droit.
- **Trans** (transition) : Cet effet coupe le signal original à une vitesse régulière.
- **Flanger** : Cet effet superpose à un signal le même signal, mais avec un léger retard afin de créer un effet de filtre en peigne (ressemblant à un avion à réaction).
- **Filter** : Cet effet varie la fréquence de coupure du filtre à une vitesse régulière.
- **Phaser** : Cet effet superpose à un signal le même signal, mais en décalage de phase afin de créer un effet de modulation subtile.
- **Reverb** : Cet effet permet d'ajouter une réverbération au signal original. La quantité de délai ajouté dépend du tempo.
- **Roll** : Cet effet échantillonne le signal audio actuel et le répète à une vitesse régulière selon la division temporelle actuelle.
- **RevRoll** (effet roll inversé) : Cet effet échantillonne le signal audio actuel et le répète à l'envers à une vitesse régulière selon la division temporelle actuelle.
- **BeatBreak** : Cet effet échantillonne les 4 temps de chaque mesure du signal original et les rejoue (dans la même mesure) selon un enchaînement programmé, afin de créer un effet de « bégaiement » ou de « breakbeat ».

Pour sélectionner un enchaînement à utiliser, tournez le bouton **FX Time** pour sélectionner un des enchaînements illustrés dans le deuxième écran sous **Pattern 0-15**. Les 16 blocs (■) et/ou lignes (—) en dessous indiquent le rythme de l'enchaînement actuel de la même façon qu'un séquenceur pas à pas d'un module de percussion : un bloc représente une frappe et une ligne représente un silence.

Exemples :



Utilisez le menu **Utility** afin de modifier les enchaînements (veuillez consulter la section **Fonctionnement > Menu Utility > Advanced Audio**).

- **Scratch** : Cet effet alterne entre la lecture normale et inversée de chaque temps, créant un effet de scratch sur un vinyle.
- **SendRtn** (send/return) : Cette option permet d'activer les sorties Send et les entrées Receive qui permettent d'ajouter des effets externes au signal.

Tous les effets BPM sont à base temporelle, ainsi le module d'effets BPM dispose de plusieurs façons de programmer ou de détecter le tempo qu'il utilisera.

Pour régler la division temporelle du module d'effets BPM, effectuez l'une des opérations suivantes :

- Veillez à ce que la division temporelle (**_ Beat**) soit sélectionnée dans l'écran inférieur (si ce n'est pas le cas, appuyez sur le bouton **FX Time**), puis tournez le bouton **FX Time** pour sélectionner une autre division temporelle.
- Lorsque la touche **Instant** est **désactivée**, tapez sur la **barre tactile des effets** pour sélectionner une division temporelle. Le témoin correspondant sur la barre s'allumera afin d'indiquer la division temporelle actuelle.

Pour régler la vitesse du module d'effets BPM en millisecondes, veillez à ce que la vitesse en milliseconde (**_ ms**) soit sélectionnée dans l'écran inférieur (si ce n'est pas le cas, appuyez sur le bouton **FX Time**), puis tournez le bouton **FX Time** pour régler la valeur.

Pour entrer un nouveau tempo, appuyez sur la touche **Tap** au moins 3 fois au tempo désiré.

Pour régler le tempo au même tempo que celui du canal du bouton FX Channel Assign, maintenez la touche **Tap/Auto** enfoncée pendant 1 seconde. (Exemple : Si canal 2 utilise un effet avec une vitesse de 120 BPM et que le bouton FX Channel Assign est réglé sur le canal 2, maintenir cette touche enfoncée permet de définir la vitesse des effets à base temporelle sur tous les canaux à 120 BPM).

Pour régler le tempo manuellement, maintenez la touche **Tap/Auto** enfoncée, puis tournez le bouton **FX Time** pour régler le BPM par incréments de 1.

Tout en maintenant la touche **Tap/Auto** enfoncée, appuyez sur le bouton **FX Time** pour régler le BPM par incréments de 0.1.

Vous pouvez régler facilement l'équilibre entre le signal traité (signal de sortie du module d'effets BPM) et le signal non traité (signal sans effets BPM).

Pour régler l'équilibre entre le signal traité et non traité, tournez le bouton **Wet/Dry**. Vous pouvez également utiliser la **barre tactile des effets** en mode Instant FX (voir [ci-dessous](#)).

Généralement, les effets sont ajoutés à l'ensemble du spectre des fréquences, mais la X1800 Prime permet également de les ajouter à une bande de fréquences isolées du signal audio (sur le canal sélectionné).

Pour sélectionner la bande de fréquences, tournez le bouton **FX Frequency**. Sélectionner la position centrale (12 h) permet d'ajouter les effets sur l'ensemble du spectre des fréquences.

Le mode Instant FX permet d'utiliser la **barre tactile des effets** pour activer l'effet et régler sa division temporelle simultanément.

Pour activer et désactiver le mode Instant FX, appuyez sur la touche Instant. La touche s'allume lorsque cette fonction est activée.

Pour activer l'effet, tapez et maintenez un doigt sur la **barre tactile des effets**, puis glissez le doigt vers le haut ou vers le bas afin de régler la division temporelle de l'effet.

Sweep FX

Sweep FX permet d'ajouter l'un des quatre effets aux quatre canaux et de le faire « balayer » en utilisant les **boutons Sweep FX**. Seulement un effet de balayage peut être ajouté à la fois.

Pour activer un effet de balayage, appuyez sur l'une des touches Sweep FX : **Dub Echo**, **Noise**, **Wash Out** ou **Gate**. La touche s'allume lorsque cette fonction est activée. Seulement une des touches peut être activée à la fois.

Pour désactiver l'effet de balayage, appuyez sur la touche Sweep FX allumée. Vous pouvez également appuyer sur une des autres touches Sweep FX pour activer cet effet, ce qui désactivera l'autre.

Voici les effets disponibles et comment chacun d'eux sont commandés par les boutons Sweep FX. Pour tous les effets de balayage, la position centrale (12 h) du bouton Sweep FX est la position minimum (l'effet n'est pas ajouté). Tourner le bouton dans le sens horaire et antihoraire produit différents résultats.

- **Dub Echo** : Cet effet permet d'ajouter un bref écho. Tourner un des **boutons Sweep FX** dans le sens antihoraire permet de diminuer la longueur du délai et d'augmenter la rétroaction, et tourner dans le sens horaire permet d'augmenter la longueur du délai ainsi que la rétroaction.
- **Noise** : Cet effet permet d'ajouter du bruit au signal. Tourner un des **boutons Sweep FX** dans le sens antihoraire permet d'ajouter du bruit rose, et tourner dans le sens horaire permet d'ajouter du bruit blanc.
- **Wash Out** : Ceci crée un effet de transition. Tourner un des **boutons Sweep FX** dans le sens antihoraire jusqu'à sa position minimum permet d'ajouter un effet d'un écho d'un temps qui met en sourdine le signal audio normal du canal, et tourner dans le sens horaire jusqu'à sa position maximum permet d'appliquer un écho d'un demi-temps.
- **Gate** : Ceci permet d'ajouter au signal un effet de gate basé sur le temps. Tourner un des **boutons Sweep FX** dans le sens antihoraire permet d'ajouter un effet de gate synchronisé au tempo du canal, et tourner dans le sens horaire permet de faire de même avec un effet ajouté.

Menu Utility

Le menu Utility permet de personnaliser différents paramètres de la X1800 Prime qui affectent le routage du signal audio, le module d'effets, le niveau des entrées et des sorties, et bien plus.

Pour accéder ou quitter le menu Utility, appuyez sur la touche **Utility**. Quitter le menu Utility enregistre également toutes les modifications apportées.

Dans le menu Utility, vous pouvez effectuer les opérations suivantes :

- **Pour sélectionner une option**, tournez le bouton **FX Select/Enter**.
- **Pour confirmer votre sélection ou accéder à un sous-menu**, appuyez sur le bouton **FX Select/Enter**.
- **Pour revenir à la fenêtre précédente**, appuyez sur la touche **Back**.

Voici les descriptions des différents sous-menus du menu Utility :

EQ

Ces paramètres déterminent comment fonctionnent les boutons d'égalisation des canaux.

- **Type** : Sélectionnez **ISO** pour définir les plages des boutons d'égalisation des canaux de **-∞** à **+6dB/+10dB** (comme indiqué). Sélectionnez **EQ** pour définir les plages des boutons d'égalisation des canaux de **-24dB** à **+6dB** (pour certains lecteurs qui requièrent ces réglages).
- **High Cross Over** : Ce paramètre permet de définir la fréquence de coupure entre les boutons d'égalisation High et Mid lorsque le **Type** est réglé sur **ISO** : **1000Hz–8000Hz** (par différents incréments).
- **Low Cross Over** : Ce paramètre permet de définir la fréquence de coupure entre les boutons d'égalisation Mid et Low lorsque le **Type** est réglé sur **ISO** : **100Hz–800Hz** (par différents incréments).
- **Reset EQ Default** : Sélectionnez **OK** pour réinitialiser les paramètres d'égalisation des canaux à leurs valeurs par défaut, ou sélectionnez **Cancel** pour revenir au menu précédent.

Filter

- **Resonance** : Ce paramètre permet de définir la résonance des filtres sur les canaux 1 à 4 (c.-à-d., les fréquences juste au-delà de la fréquence de coupure qui ne seront pas coupées par le filtre). **0** est un paramètre plat (les fréquences juste au-delà de la fréquence de coupure ne seront pas entendues du tout), alors que **15** donne une résonance élevée (la fréquence de coupure n'est pas aussi « stricte », donc certaines fréquences près du seuil seront entendues).

Headphones

- **Attenuation** : Ce paramètre permet de régler le niveau de gain de la sortie du casque d'écoute : **-15dB** à **0dB**.

Microphone

Ces paramètres affectent les microphones.

- **Gain** : Ce paramètre permet de régler le niveau de gain des entrées microphone : **-10dB à +10dB**.
- **Talk Over Level** : Ce paramètre détermine la quantité d'atténuation apportée au volume du mix principal lorsque la fonction talkover est activée : **-20dB à -40dB**.
- **Talk Over Resume** : Lorsque la fonction talkover est utilisée, le volume du mix principal revient à son niveau normal dès que l'entrée microphone ne détecte aucun signal entrant. Ce paramètre détermine si la transition se produit normalement (**Normal**) ou rapidement (**Fast**).
- **EQ High** : Ce paramètre définit la bande de fréquences qui est affectée par le bouton d'égalisation microphone High. **1000Hz-4000Hz** (par différents incréments).
- **EQ Low** : Ce paramètre définit la bande de fréquences qui est affectée par le bouton d'égalisation microphone Low. **500Hz-2000Hz** (par différents incréments).
- **Booth Receive** : Sélectionnez **On** afin que le signal du microphone soit acheminé aux sorties cabine et enregistrement. Sélectionnez **Off** pour envoyer le signal du microphone aux sorties principales uniquement.
- **Reset Mic Default** : Sélectionnez **OK** pour réinitialiser les paramètres microphone à leurs valeurs par défaut, ou sélectionnez **Cancel** pour revenir au menu précédent.

Advanced Audio

Ces paramètres déterminent le fonctionnement numérique de la console de mixage et des autres fonctions évoluées.

- **Sampling Rate** : Ce paramètre permet de définir la fréquence d'échantillonnage du signal audio USB : **44.1kHz, 48kHz ou 96kHz**.
- **Master Out Level** : Ce paramètre permet de définir une compensation pour le niveau du volume des sorties principales : **-15dB à 0dB**.
- **Booth Out Level** : Ce paramètre permet de définir une compensation pour le niveau du volume des sorties cabine : **-15dB à 0dB**.
- **USB Audio** : Ces paramètres déterminent le routage et les niveaux du signal audio USB.
 - **CH1-4/Master/Cue Assign** : Ces paramètres déterminent quels canaux audio USB (1/2-9/10) recevront le signal audio des canaux 1 à 4 (**CH1-CH4**), le mix principal (**Master**) et le canal de pré-écoute (**Cue**).
 - **Output Level** : Ce paramètre permet de définir une compensation pour le niveau du mix principal envoyé à votre ordinateur via une connexion USB : **-20dB à +20dB**.
 - **Ch Input Level** : Ce paramètre permet de définir une compensation pour le niveau des signaux envoyés aux canaux 1 à 4 depuis votre ordinateur via une connexion USB : **-20dB à +20dB**.
- **DVS Setup** : Pour les canaux 1 à 4 (**CH1-CH4**), sélectionnez le niveau d'entrée que chacun des canaux utilise lorsque son sélecteur d'entrée est réglé sur **DVS**. Sélectionnez **Phono** afin d'utiliser des disques de commande vinyle ou **Line** afin d'utiliser des CD de commande.
- **Digital Settings** :
 - **Digital Out** : Ce paramètre permet de définir une compensation pour le niveau du signal envoyé depuis la sortie numérique : **-20dB à +20dB**.
 - **Digital Link** : Sélectionnez **On** pour combiner le signal sortant avant d'être traité par les boutons **Master** et **Booth**, qui vous permettent de contrôler le niveau de sortie. Sélectionnez **Off** pour combiner le signal sortant après avoir été traité par les boutons **Master** et **Booth**, qui n'auront pas d'effet sur le niveau de sortie.
 - **Link Level** : Ce paramètre permet de définir une compensation pour le niveau du signal envoyé à l'entrée numérique : **-20dB à +20dB**.
- **Cross Fader Cut** : Ces paramètres déterminent dans quelle mesure vous devez déplacer le crossfader de chaque côté (**Fader Cut A** ou **B**) pour qu'il puisse commencer à affecter le signal audio : **-2.0mm à 2.0mm**
- **FX Edit** :
 - **FX Return** : Cette option permet de régler le niveau unitaire des sorties Send et des entrées Receive : **-10dB-0dB**. Il se peut que vous ayez à régler ce paramètre selon les types d'effets externes que vous utilisez.
 - **Beat Break Edit** : Ce menu permet de sélectionner, de modifier et de sauvegarder les enchaînements de l'effet BeatBreak. Veuillez consulter la section **Effets > Module d'effets BPM** afin d'en savoir plus sur le fonctionnement de cet effet.

Pour modifier un enchaînement :

1. Tournez le bouton **FX Select/Enter** pour sélectionner un enchaînement (1-16), puis appuyez sur le bouton.
2. Tournez le bouton **FX Select/Enter** pour sélectionner une des 12 doubles-croches de l'enchaînement. Vous ne pouvez modifier les quatre temps principaux de l'enchaînement ; ils seront toujours perceptibles, car ils contiennent l'audio échantillonné.
Appuyez sur le bouton **FX Select/Enter** pour modifier le temps d'une frappe (■) à un silence (□) et vice versa.
Répétez cette étape, si désiré.
3. Appuyez sur la touche **Back** pour revenir à la fenêtre précédente.

- **FX List Customize** : Cette fenêtre permet de personnaliser l'ordre des effets. Tournez le bouton **FX Select/Enter** afin de sélectionner un effet de la liste de ceux disponibles sur le côté gauche, puis appuyez sur le bouton pour ajouter l'effet au nouvel ordre des effets sur le côté droit. Répétez cette étape pour chaque effet, ou sélectionnez **-Cancel-** pour revenir à la fenêtre précédente. Après avoir terminé, sélectionnez **-End-** pour enregistrer votre liste personnalisée.
- **BPM FX On Color** : Ce paramètre détermine la couleur de la touche FX On/Off lorsqu'elle clignote : **red** (rouge), **spring green** (vert tendre), **green** (vert), **light blue** (bleu pâle), **blue** (bleu), **yellow** (jaune), **orange** ou **purple** (violet).

System

Ces paramètres déterminent le fonctionnement général.

- **Info** : Ces fenêtres contiennent des informations concernant la version actuelle du progiciel et des informations réseau.
 - **Version** : C'est la version actuelle du progiciel de la X1800 Prime.
 - **IP address** : C'est l'adresse IP qu'utilise la X1800 Prime.
 - **MAC address** : C'est l'adresse MAC qu'utilise la X1800 Prime.
- **Engine Connect** : Sélectionnez **Auto** afin de permettre à la X1800 Prime de recevoir automatiquement des informations de minutage et de BPM (pour synchroniser les tempos d'effet) des SC5000 Prime branchés à ses ports Link, ainsi que de transmettre des données de piste et d'utilisateur entre les SC5000 Prime. La X1800 Prime détecte et configure automatiquement chaque SC5000 Prime branchés à ses ports link. Sélectionnez **Manual** afin de désactiver la connexion automatique et seulement activer cette fonction manuellement en appuyant sur la touche **Engine Connect** jusqu'à ce que la fenêtre Channel Assignment s'affiche sur les SC5000 Prime. Vous pouvez ensuite affecter chaque niveau SC5000 Prime à un canal spécifique.
- **Cue Settings** :
 - **Cue Solo Mode** : Sélectionnez **On** pour utiliser les touches Channel Cue comme touche de mise en solo (appuyer sur une des touches coupe le signal de tous les autres canaux). Sélectionnez **Off** pour les utiliser comme touches de pré-écoute normale (appuyer sur une des touches transmet son signal au canal de pré-écoute).
 - **Cue 1-4 Color** : Ce paramètre détermine la couleur des touches Cue pour chaque canal : **red** (rouge), **spring green** (vert tendre), **green** (vert), **light blue** (bleu pâle), **blue** (bleu), **yellow** (jaune), **orange** ou **purple** (violet).
 - **Reset Cue Defaults** : Sélectionnez **OK** pour réinitialiser les paramètres Cue à leurs valeurs par défaut, ou sélectionnez **Cancel** pour revenir au menu précédent.
- **Network Settings** :
 - **Refresh IP Address** : Sélectionnez **OK** pour renouveler l'adresse IP, qui rétablit la connexion entre la X1800 Prime et les SC5000 Prime branchés sur les ports Link. Sélectionnez **Cancel** pour revenir à la fenêtre précédente.
- **MIDI** : Ces paramètres MIDI déterminent les canaux MIDI et les connexions utilisées.
 - **Clock Send** : Ces paramètres permettent de déterminer si la X1800 Prime transmettra des messages d'horloge MIDI sur chacune de ces connexions. Pour chaque option, sélectionnez **On** afin d'activer la transmission MIDI ou **Off** afin de la désactiver.
 - **USB** : Ce paramètre s'applique aux **ports USB 1 et 2**. Si vous utilisez la X1800 Prime pour commander un logiciel, sélectionnez **On**.
 - **5pin** : Ce paramètre s'applique à la **sortie MIDI**.
 - **Active Send** : Ces paramètres permettent de déterminer si la X1800 Prime transmettra des messages MIDI normaux sur chacune de ces connexions. Pour chaque option, sélectionnez **On** afin d'activer la transmission MIDI ou **Off** afin de la désactiver.
 - **USB** : Ce paramètre s'applique aux **ports USB 1 et 2**. Si vous utilisez la X1800 Prime pour commander un logiciel, sélectionnez **On**.
 - **5pin** : Ce paramètre s'applique à la **sortie MIDI**.
- **Factory Reset** : Sélectionnez **OK** pour réinitialiser tous les paramètres d'usine par défaut de la X1800 Prime (ceci peut prendre quelques secondes avant que l'appareil ne reprenne son fonctionnement normal). Sélectionnez **Cancel** pour revenir à la fenêtre précédente.

Guida per l'uso (Italiano)

Introduzione

Caratteristiche:

- Mixer digitale a 4 canali con 4 canali commutabili fonofono/linea
- Sezione BPM effetti con isolamento di banda con controllo di frequenza
- Doppi collegamenti audio USB per software e dispositivi audio
- Manopole Sweep e BPM effetti dedicate: effetti di alta qualità per ciascun canale con un singolo tocco della manopola
- EQ Espresso: possibilità di scelta tra le modalità Classic o Isolation e controllo della risonanza con filtro regolabile
- Protocollo Engine Connect per effetti con beatgrid bloccata
- Crossfader espressivo Denon DJ Flex-Fader
- Collegamento di effetti e strumenti basati su MIDI
- Uscita digitale a 24-bit/96kHz per una qualità audio senza compromessi
- Nitido schermo OLED per regolazioni precise basate su menu
- 4 ingressi digitali per mix audio ad alta risoluzione
- Hub LAN per un massimo di quattro lettori o accessori
- Robusta struttura in metallo

Contenuti della confezione

X1800 Prime	Guida per l'uso
Cavo USB	Istruzioni di sicurezza e garanzia
Cavo di alimentazione	

Assistenza

Per le ultime informazioni in merito a questo prodotto (documentazione, specifiche tecniche, requisiti di sistema, informazioni sulla compatibilità, ecc.) e per effettuarne la registrazione, recarsi alla pagina denondj.com.

Per ulteriore assistenza sul prodotto, recarsi alla pagina denondj.com/support.

Configurazione

1. Assicurarsi che tutti i dispositivi siano **spenti** (off) o che i loro livelli di volume siano tutti al **minimo**.
2. Collegare le uscite audio dei media player agli ingressi dell'X1800 Prime.
3. Se si utilizzano dispositivi SC5000 Prime, collegare le relative porte **Link** alle porte **Link** dell'X1800 Prime secondo quanto illustrato in uno dei seguenti esempi di schemi di collegamento.
4. Collegare altri dispositivi (giradischi, cuffie, amplificatori, altoparlanti, ecc.) agli ingressi o uscite dell'X1800 Prime.
5. Collegare tutti i dispositivi a fonti di alimentazione.

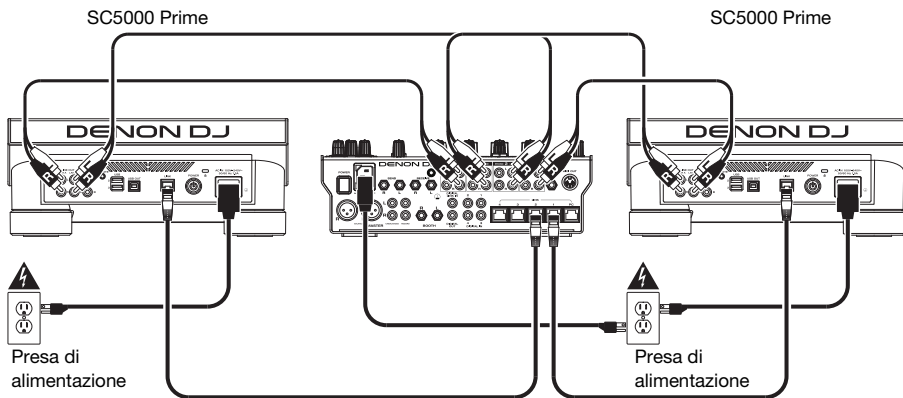
Quando si avvia una sessione, accendere **(1)** i media player e altre fonti di ingresso, **(2)** l'X1800 Prime e quindi **(3)** i dispositivi di uscita.

Al termine di una sessione, spegnere **(1)** i dispositivi di uscita, **(2)** l'X1800 Prime, e quindi **(3)** i media player e le altre fonti di ingresso.

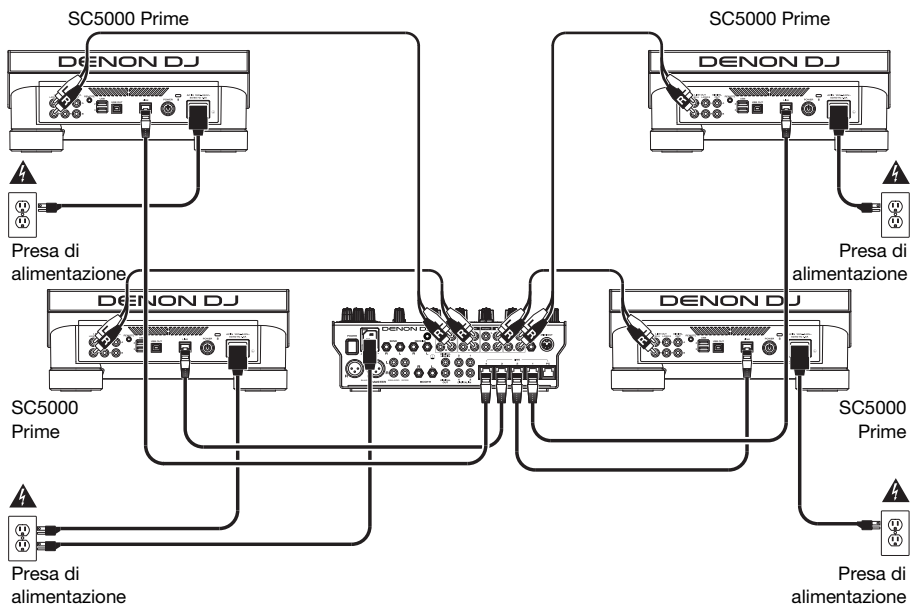
Schema di collegamento

Elementi non elencati sotto [Introduzione > Contenuti della confezione](#) sono venduti separatamente.

Esempio 1



Esempio 2



Collegamento a una rete

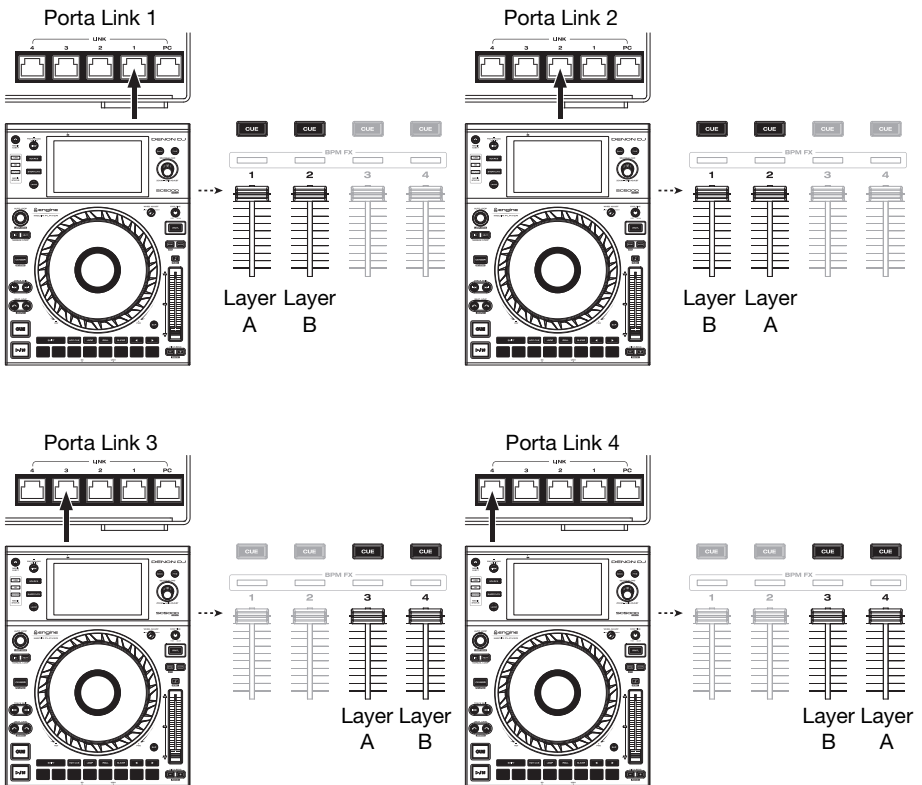
Si può utilizzare l'X1800 Prime per collegare in rete più unità SC5000 Prime, consentendo loro di condividere in maniera ininterrotta informazioni di tempo e BPM con l'X1800 Prime (per sincronizzare il tempo degli effetti) nonché i dati relativi alle tracce e al profilo utente con altre unità SC5000 Prime.

Questa funzione offre alcuni vantaggi durante le esibizioni. Ad esempio, se si utilizzano quattro unità SC5000 Prime, si può utilizzare una di esse per navigare lungo **tutte** le tracce su **tutti** i dispositivi (drive USB o schede SD) collegati a una **qualsiasi** di tali unità SC5000. Si possono poi riprodurre queste tracce immediatamente senza dover trasferire un dispositivo da un'unità all'altra.

Per collegare più unità SC5000 Prime, servirsi dei cavi di rete in dotazione per collegare ciascuna delle loro porte **Link** a una porta **Link (1-4)** sul pannello posteriore dell'X1800 Prime.

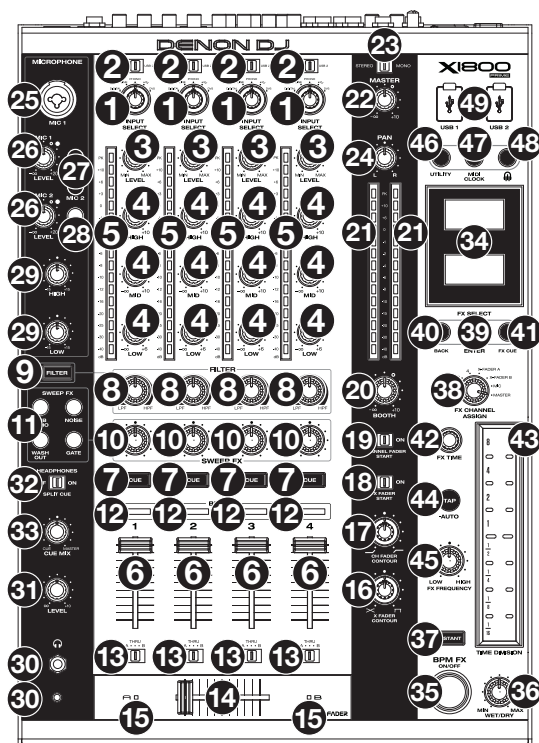
La spia **Network (Media Status)** su ciascuna unità SC5000 Prime si accenderà quando questa è adeguatamente collegata.

Configurazione automatica con SC5000 Prime:



Caratteristiche

Pannello superiore



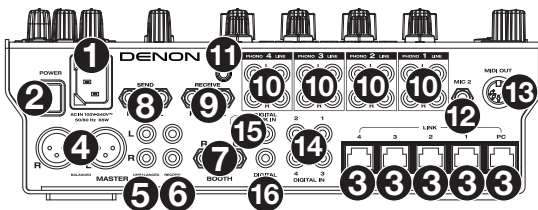
- Input Select** (seleziona ingressi): girare queste manopole per selezionare la fonte audio desiderata per ciascun canale.
 - **Digital**: gli ingressi **digitali**
 - **Line**: gli ingressi **di linea**
 - **Phono**: gli ingressi **phono**
 - **USB**: un computer collegato a una **porta USB**. Servirsi dell'interruttore **USB 1/2** per selezionare la **porta USB 1** o la **porta USB 2**. Quando impostato sulla **porta USB 1** (e con un computer collegato a tale porta), il canale controllerà il canale corrispondente nel proprio software.
 - **DVS**: un computer collegato a una **porta USB** quando utilizza il controllo del vinile con sistema digitale per vinili
- USB 1/2**: quando la manopola **Input Select** è impostata su **USB**, servirsi di questi interruttori per selezionare la **porta USB 1** o la **porta USB 2** come fonte. Quando impostato sulla **porta USB 1** (e con un computer collegato a tale porta), il canale controllerà il canale corrispondente nel proprio software.
- Level** (livello): girare queste manopole per regolare il livello del segnale audio pre-fader, pre-EQ per ciascun canale.
- EQ (High, Mid, Low)** (alto, medio e basso): girare queste manopole per incrementare o tagliare le frequenze alte, medie e basse di ciascun canale. Si può utilizzare il menù Utilità per impostare il tipo di EQ, che determina i valori minimo (di taglio) e massimo (di incremento) (si veda [Operazione > Menu Utilità > EQ](#)).

5. **Misuratori di livello canale:** questi LED mostrano il livello del segnale audio di ciascun fader canale, pre-canale.
6. **Fader canale:** servirsi di questi fader per regolare il livello di volume di ciascun canale.
7. **Channel Cue** (Cue canale): premere questi tasti per inviare il segnale pre-fader di ciascun canale al canale cue delle cuffie. Premere uno o più di questi tasti contemporaneamente per inviare i segnali dei loro canali al canale cue simultaneamente.
8. **Manopole Filter:** girare queste manopole per regolare il filtro applicato a ciascun canale. Girare la manopola in senso antiorario per applicare un filtro passa basso. Girare la manopola in senso orario per applicare un filtro passa alto.
9. **Tasto Filter:** premere questo tasto per abilitare o disabilitare i filtri (controllati dalle **manopole Filter**) su tutti i canali.
10. **Manopola Sweep FX:** girare queste manopole per regolare l'equilibrio tra il segnale "wet" (il segnale di uscita dell'effetto sweep) e il segnale "dry" (audio senza effetti sweep applicati). Selezionare la posizione centrale (12:00) per scegliere un segnale interamente dry.
11. **Tasto Sweep FX:** premere uno di questi tasti per abilitare o disabilitare un effetto controllabile con le **manopole Sweep FX**. È possibile abilitare solo uno di questi tasti alla volta.
 - **Dub Echo:** questo effetto è un breve eco. Iniziando dalla posizione centrale (12:00), girare una **manopola Sweep FX** in senso antiorario per ridurre la lunghezza del ritardo e aumentare il feedback, oppure girarla in senso orario per aumentare la lunghezza del ritardo e del feedback.
 - **Noise:** questo effetto aggiunge rumore al segnale. Iniziando dalla posizione centrale (12:00), girare una **manopola Sweep FX** in senso antiorario per aggiungere un rumore rosa o girarla in senso orario per aggiungere un rumore bianco.
 - **Wash Out:** crea un effetto di transizione. Girare una **manopola Sweep FX** nella sua posizione antioraria estrema (minimo) per applicare un eco di 1 beat che silenzierà anche il normale segnale audio del canale, oppure girarlo alla posizione estrema oraria (massima) per applicare un eco da 1/2 beat.
 - **Gate:** questo effetto applica un effetto cancello basato sul tempo al segnale. Iniziando dalla posizione centrale (12:00), girare una **manopola Sweep FX** in senso antiorario per applicare un effetto cancello sincronizzato con il tempo del canale, oppure girarla in senso orario per fare lo stesso con un effetto aggiunto.
12. **Indicatori BPM FX:** queste spie si illuminano per indicare se un canale è selezionato ed è influenzato dal modulo effetti BPM (quando la manopola **FX Channel Assign** è impostata su **Channel 1, 2, 3 o 4**).
13. **Crossfader Assign:** convoglia l'audio riprodotto sul canale corrispondente a ciascun lato del crossfader — **A** (sinistro) o **B** (destro) — oppure bypassa il crossfader e invia l'audio direttamente al mix di programma — **Thru** (centro).
14. **Crossfader:** servirsi di questo crossfader per mixare tra i deck attivi.
15. **Indicatori del crossfader:** queste spie si illuminano per indicare se un lato del crossfader è stato selezionato ed è influenzato dal modulo effetti (quando la manopola **FX Channel Assign** è impostata su **X-Fader A o B**).
16. **X Fader Contour:** girare questa manopola per regolare la curva del **crossfader**. Girare la manopola verso sinistra per una dissolvenza uniforme (mix) oppure verso destra per un taglio netto (scratch). La posizione centrale è un'impostazione tipica per esibizioni in discoteca.
17. **Ch Fader Contour:** girare questa manopola per regolare la curva dei **fader di canale**. Girare la manopola in senso antiorario per impiegare una curva che salga "più tardi" (più vicino alla parte superiore del fader). Girarla in senso orario per utilizzare una curva che sale "prima" (quasi immediatamente dopo aver mosso il fader dalla sua posizione minima). La posizione centrale è una curva lineare.
18. **X Fader Start:** servirsi di questo interruttore per attivare o disattivare il crossfader start. Una volta attivato, è possibile avviare automaticamente la riproduzione delle unità SC5000 Prime assegnate a ciascun lato del crossfader muovendo il crossfader verso quel lato.

19. **Channel Fader Start:** servirsi di questo interruttore per attivare o disattivare il channel fader start. Una volta attivato, è possibile avviare automaticamente la riproduzione delle unità SC5000 Prime assegnate a ciascun canale muovendo il fader di canale verso l'alto.
20. **Booth:** girare questa manopola per regolare il volume delle **uscite booth**.
21. **Misuratori di livello master:** questi LED mostrano a display il livello di segnale audio del mix master (inviato dalle **uscite master**).
22. **Master:** girare questa manopola per regolare il volume delle **uscite master**.
23. **Selettore Stereo/Mono:** servirsi di questo interruttore per impostare la configurazione del canale delle uscite Master. **Stereo** (audio binaurale utilizzando canali sinistro e destro distinti) o **Mono** (audio monaurale sommato tramite entrambi i canali sinistro e destro).
24. **Pan:** girare questa manopola per regolare la posizione del segnale delle **uscite master** nel campo stereo.
25. **Ingresso Mic 1:** servirsi di un cavo standard XLR o da 6,35 mm (1/4") (non in dotazione) per collegare un microfono dinamico standard a questo ingresso. Servirsi della manopola **Mic 1 Level** sul pannello superiore per controllare il livello del volume.
26. **Mic 1/2 Level:** girare queste manopole per regolare il livello del volume degli ingressi microfono corrispondenti. La spia accanto a ciascuna manopola indica il livello attuale del segnale con il rispettivo colore: **verde** (normale/ottimale) o **rosso** (massimo/picco).
27. **Mic On/Off:** premere questi tasti per attivare o disattivare il microfono corrispondente.
28. **Talk Over:** premere questo tasto per attivare o disattivare la funzione "talkover", che riduce automaticamente il livello di volume del mix master quando si parla al microfono. Si può utilizzare il menù Utilità per impostare in che misura il livello del volume del mix master viene abbassato e quanto in fretta ritorna al suo livello normale (si veda [Operazione > Menù Utilità > Microphone](#)).
29. **Mic EQ (High, Low):** girare queste manopole per incrementare o tagliare le frequenze alte e basse di entrambi i microfoni.
30. **Uscite cuffie:** collegare le cuffie a questi jack da 6,35 mm (1/4") e da 3,5 mm (1/8") per monitorare il segnale. Girare la manopola **Headphone Level** per controllarne il volume.
31. **Headphone Level:** girare questa manopola per regolare il volume delle cuffie.
32. **Split Cue:** quando questo interruttore è su **On**, l'audio delle cuffie sarà "suddiviso" in modo che tutti i canali inviati a cue vengano sommati a mono e inviati al canale cuffie di sinistra, e che il mix master venga sommato a mono e inviato al canale destro. Quando l'interruttore è su **Off**, il canale Cue e il mix master verranno "miscelati" insieme.
33. **Cue Mix:** girare questa manopola per regolare l'equilibrio tra l'uscita cue e l'uscita master mix a livello delle cuffie.
34. **Display:** questi display mostrano le informazioni correnti sugli effetti e sul tempo, oltre al menù Utilità.
35. **FX On/Off:** premere questo tasto per accendere e spegnere il modulo effetti BPM.
36. **Wet/Dry:** girare questa manopola per regolare l'equilibrio tra il segnale "wet" (il segnale di uscita del modulo effetti BPM) e il segnale "dry" (audio senza effetti BPM applicati).
37. **Instant:** premere questo tasto per attivare o disattivare la modalità Instant FX per la fascetta **FX touch strip**.
38. **FX Channel Assign:** girare questa manopola per selezionare il canale cui il modulo effetti BPM applicherà i suoi effetti. **Channel 1, 2, 3 o 4; X-Fader A o B** (un lato o l'altro del crossfader); **Mic** (entrambi i segnali microfono); oppure **Master** (il master mix).
39. **FX Select/Enter:** girare questa manopola per selezionare un effetto. Quando ci si trova nel menù Utilità, girare questa manopola per selezionare un'opzione e premerla per confermare la scelta o per entrare in un sottomenù.
40. **Back:** premere questo tasto per tornare alla schermata precedente nel menù Utilità.
41. **FX Cue:** premere questo tasto per effettuare un'anteprima degli effetti BPM nel canale cue delle cuffie. Tuttavia, non è possibile effettuare un'anteprima di tutti gli effetti BPM.

42. **FX Time:** girare questa manopola per selezionare la frequenza che verrà utilizzata dal modulo effetti BPM. Premere questa manopola per commutare tra la regolazione dell'intervallo come divisione di tempo e la frequenza in millisecondi. (Una luce corrispondente lungo la striscia FX touch si illumina a indicare la divisione di tempo corrente.)
43. **FX Touch Strip:** quando il tasto Instant è spento (disabilitato), toccare un'area di questa fascetta tattile per selezionare la divisione di tempo che verrà utilizzata dal modulo effetti BPM. Una luce corrispondente lungo la striscia si illumina a indicare la divisione di tempo corrente. Se la divisione di tempo corrente non è un valore di quantizzazione illustrato sulla fascetta (ad es. l'effetto BeatBreak), nessuna delle luci si illuminerà.
Quando il tasto Instant è acceso (abilitato), toccare e tenere il dito sulla striscia per attivare gli effetti, quindi trascinare il dito verso l'alto o verso il basso per regolare la divisione di tempo dell'effetto.
44. **Tap:** toccare questo tasto almeno 3 volte al tempo desiderato per impostare la frequenza di tutti gli effetti basati sul tempo. Tenere premuto questo tasto per 1 secondo per impostare il tempo secondo quello del canale **FX Channel Assign** della manopola (ad es. se il Canale 2 sta utilizzando un effetto con una frequenza di 135 BPM e la manopola FX Channel Assign è sul Canale 2, tenendo premuto questo tasto si imposterà la frequenza degli effetti basati sul tempo su **tutti** i canali su 135 BPM).
45. **FX Frequency:** girare questa manopola per selezionare una banda di frequenza del segnale audio alla quale verranno applicati gli effetti BPM. Selezionare la posizione centrale (12:00) per applicare effetti all'intero spettro di frequenze.
46. **Utility:** premere questo tasto per entrare o uscire dal menù Utilità, che comparirà a display. Uscendo dal menù Utilità si salvano tutte le modifiche apportate.
47. **MIDI Send:** premere questo tasto per inviare un messaggio MIDI Start dalla **porta USB** o dall'**uscita MIDI** (si può utilizzare il menù Utilità per selezionarne una). Il tempo sarà quello della scelta della manopola **FX Channel Assign**. Se si cambia la scelta della manopola **FX Channel Assign**, tenere premuto questo tasto per inviare il nuovo tempo.
48. **Engine Connect:** quando le porte **Link** sono collegate a unità SC5000 Prime, premere questo tasto per abilitare l'X1800 Prime a ricevere informazioni su tempo e BPM (per sincronizzare i tempi degli effetti) e inviare dati su tracce e profilo utente tra le unità SC5000 Prime.
49. **Porte USB:** servirsi di cavi USB standard per collegare computer a queste porte USB.

Pannello posteriore



1. **Ingresso di alimentazione:** servirsi del cavo di alimentazione in dotazione per collegare questo ingresso ad una presa di alimentazione.
2. **Tasto di alimentazione:** premere questo tasto per accendere e spegnere l'X1800 Prime. Accendere l'X1800 Prime solo **dopo** aver collegato tutti i dispositivi di ingresso e **prima** di accendere amplificatori e casse. Spegnerli **prima** di spegnere l'X1800 Prime.

3. **Porte Link:** servirsi di cavi di rete standard per collegare queste porte alle unità SC5000 Prime e/o al computer. Ciascun SC5000 Prime collegato può utilizzare questi collegamenti per condividere informazioni su tempo e BPM con l'X1800 Prime (per sincronizzare il tempo degli effetti) nonché i dati relativi alle tracce e al profilo utente con altre unità SC5000 Prime.
4. **Uscite Master** (XLR bilanciate): servirsi di cavi XLR standard per collegare queste uscite ad altoparlanti o amplificatori. Servirsi della manopola **Master** sul pannello superiore per controllare il livello del volume.
5. **Uscite Master** (RCA non bilanciate): servirsi di cavi RCA standard per collegare queste uscite a un altoparlante o amplificatore. Servirsi della manopola **Master** sul pannello superiore per controllare il livello del volume.
6. **Uscite di registrazione Record** (RCA): servirsi di cavi RCA standard per collegare queste uscite a un'interfaccia di registrazione, a un mixer esterno o ad altri dispositivi. Servirsi del menù Utilità per selezionare se il mix inviato a queste uscite comprenderà o meno il segnale audio dei microfoni (si veda [Operazione > Menù Utilità > Microphone](#)).
7. **Uscite Booth** (6,35 mm/1/4", TRS): servirsi di cavi standard da 6,35 mm (1/4") per collegare queste uscite a monitor booth o a un amplificatore booth. Servirsi della manopola **Booth** sul pannello superiore per controllare il livello del volume. Servirsi del menù Utilità per selezionare se il mix inviato a queste uscite comprenderà o meno il segnale audio dei microfoni (si veda [Operazione > Menù Utilità > Microphone](#)).
8. **Uscite Send** (6,35 mm/1/4", TRS): collegare queste uscite agli ingressi di un modulo effetti esterno o di un altro dispositivo. Servirsi del menù Utilità per impostare il livello di questo segnale audio (si veda [Operazione > Menù Utilità > Advanced Audio](#)).
9. **Ingressi Receive** (6,35 mm/1/4", TRS): collegare questi ingressi alle uscite di un modulo effetti esterno o di un altro dispositivo. Servirsi del menù Utilità per impostare il livello di questo segnale audio (si veda [Operazione > Menù Utilità > Advanced Audio](#)).
10. **Ingressi Phono/Linea** (RCA): servirsi di cavi standard RCA per collegare questi ingressi a livello di linea o a livello phono a una fonte audio esterna. Servirsi dei **selettori di ingresso** presenti sul pannello superiore per stabilire se il segnale proveniente dagli ingressi a livello di linea o a livello phono sarà inviato a ciascun canale o meno.
11. **Terminale di messa a terra:** se si utilizzano giradischi a livello phono dotati di cavo di messa a terra, collegare quest'ultimo a questo terminale. Se si verifica un "ronzio" o un "brusio" basso, ciò può significare che i giradischi non sono messi a terra.
Nota bene: alcuni giradischi hanno il cavo di messa a terra incorporato nel collegamento RCA e, di conseguenza, non è necessario collegare nulla al terminale di messa a terra.
12. **Ingresso Mic 2** (6,35 mm/1/4", TRS): servirsi di un cavo standard da 6,35 mm (1/4") (non in dotazione) per collegare un microfono dinamico standard a questo ingresso. Servirsi della manopola **Mic 2 Level** sul pannello superiore per controllare il livello del volume.
13. **Uscita MIDI** (DIN a 5 poli): servirsi di un cavo MIDI standard per collegare questa uscita all'ingresso MIDI di un dispositivo MIDI esterno opzionale. Si può utilizzare il tasto **MIDI Send** per inviare messaggi MIDI Start da questa uscita. Si può anche utilizzare il menù Utilità per abilitare o disabilitare questa connessione (si veda [Operazione > Menù Utilità > System](#)).
14. **Digital In** (RCA digitale): servirsi di cavi RCA digitali per collegare questi ingressi da 24 bit/96 KHz alle uscite digitali delle proprie unità Denon DJ SC5000 Prime.
15. **Digital Link In** (RCA digitale): se si utilizza più di una unità X1800 Prime, servirsi di un cavo RCA digitale per collegare questo ingresso all'**uscita digitale** di un altro X1800 Prime.
16. **Digital Out** (RCA digitale): servirsi di un cavo RCA digitale per collegare questa uscita all'ingresso digitale di un'altra unità X1800 Prime o di un'interfaccia esterna, di un mixer o di un altro dispositivo. Servirsi del menù Utilità per impostare il livello del segnale in uscita (si veda [Operazione > Menù Utilità > Advanced Audio](#)).

Operazione

Effetti

Modulo effetti BPM

Il modulo effetti incorporato consente di applicare qualsiasi tra i numerosi effetti a canali specifici basandosi sul tempo corrente.

Per accendere o spegnere il modulo effetti BPM, premere **FX On/Off**.

Per selezionare il canale cui il modulo effetti BPM applicherà i suoi effetti, girare la manopola **FX Channel Assign**. Le opzioni sono: **Channel 1, 2, 3 o 4**; **X-Fader A o B** (un lato o l'altro del crossfader); **Mic** (entrambi i segnali microfono); oppure **Master** (il master mix).

Per applicare o rimuovere l'effetto dal canale cue, premere **FX Cue**. Quando il tasto è acceso, gli effetti saranno applicati unicamente al canale cue delle cuffie.

Per selezionare un effetto, girare la manopola **FX Select/Enter**.

Questi sono gli effetti disponibili:

- **Echo**: questo effetto aggiunge eco al segnale originale.
- **Delay**: questo effetto aggiunge istanze ripetute del segnale originale che decadono nel tempo.
- **Ping Pong**: questo è un effetto di ritardo stereo in cui la frequenza del ritardo stesso differisce tra i canali sinistro e destro.
- **Trans** (transizione): questo effetto taglia il segnale originale ad una frequenza regolare.
- **Flanger**: questo effetto aggiunge una copia leggermente ritardata al segnale originale per creare un effetto pettine-filtro (spesso accostato al motore di un jet).
- **Filter**: questo effetto varia la frequenza di taglio del filtro ad un intervallo regolare.
- **Phaser**: questo effetto aggiunge una copia del segnale originale con la fase leggermente variata per creare un sottile effetto modulante.
- **Reverb**: questo effetto aggiunge riverbero al segnale originale. La quantità di ritardo dipende dal tempo.
- **Roll**: questo effetto effettua il campionamento del segnale audio corrente e lo ripete a intervalli regolari basandosi sull'attuale divisione del tempo.
- **RevRoll** (roll inverso): questo effetto effettua il campionamento del segnale audio corrente e lo ripete all'indietro a intervalli regolari basandosi sull'attuale divisione del tempo.
- **BeatBreak**: questo effetto effettua il campionamento dei 4 battiti di ciascuna battuta del segnale originale e li risuona (nell'ambito della stessa battuta) secondo uno schema predefinito, creando un effetto di "stuttering", "breakbeat".

Per selezionare il pattern da utilizzare, girare la manopola **FX Time** per selezionare **Pattern 0-15**, come illustrato nel secondo display. I 16 blocchi (■) e/o linee (—) al di sotto di esso indicano il ritmo del pattern corrente un po' come il sequenziatore di una drum machine: un blocco rappresenta un colpo e una linea rappresenta una pausa.

Esempi:

■ — — — ■ — — — ■ — — — ■ — — — Indica un tocco su ogni beat.

■ — ■ — ■ — ■ — ■ — ■ — ■ — ■ — Indica un tocco ogni ottava.

■ ■ ■ ■ ■ ■ ■ ■ ■ ■ ■ ■ ■ ■ ■ ■ ■ ■ Indica un tocco a ogni sedicesimo (ogni nota del pattern).

Servirsi del menù Utilità per modificare i pattern (si veda [Menù utilità > Advanced Audio](#)).

- **Scratch:** questo effetto alterna tra la riproduzione normale e inversa di ciascun beat, creando un effetto di scratch del vinile.
- **SendRtn** (send/return): questa opzione abilita le uscite send e gli ingressi di ricezione, consentendo di utilizzare effetti esterni sui segnali.

Tutti gli effetti BPM sono basati sul tempo, quindi il modulo effetti BPM offre numerosi modi per inserire o individuare il tempo che utilizzerà.

Per regolare la divisione di tempo del modulo effetti BPM, procedere in uno dei seguenti modi:

- Assicurarsi che la divisione di tempo (**__ Beat**) sia selezionata nel display inferiore (in caso contrario, premere la manopola **FX Time**), quindi girare la manopola **FX Time** per selezionare un'altra divisione di tempo.
- Quando il tasto **Instant** è su **off**, toccare un'area della **FX touch strip** per selezionare una divisione di tempo. Una luce corrispondente lungo la striscia si illumina a indicare la divisione di tempo corrente.

Per regolare la frequenza del modulo effetti BPM in millisecondi, assicurarsi che la frequenza in millisecondi (**__ ms**) sia selezionata nel display inferiore (in caso contrario, premere la manopola **FX Time**), quindi girare la manopola **FX Time** per regolarlo.

Per inserire un nuovo tempo, premere **Tap** almeno 3 volte al tempo desiderato.

Per impostare il tempo su quello del canale della manopola FX Channel Assign, tenere premuto **Tap/Auto** per 1 secondo. (Esempio: se il Canale 2 sta utilizzando un effetto con una frequenza di 120 BPM e la manopola FX Channel Assign è sul Canale 2, tenendo premuto questo tasto si imposterà la frequenza degli effetti basati sul tempo su **tutti** i canali su 120 BPM).

Per regolare il tempo manualmente, tenere premuto **Tap/Auto**, quindi girare la manopola **FX Time** per regolare il BPM in incrementi di 1. Tenendo premuto **Tap/Auto**, premere e girare la manopola **FX Time** per regolare il BPM in incrementi di 0,1.

Si può facilmente regolare l'equilibrio tra il segnale "wet" (il segnale di uscita del modulo effetti BPM) e il segnale "dry" (audio senza effetti applicati).

Per regolare l'equilibrio tra i segnali "wet" e "dry", girare la manopola **Wet/Dry**. Alternativamente, servirsi della fascetta **FX touch strip** in modalità Instant FX (si veda [sotto](#)).

Normalmente, si applicano effetti all'intero spettro di frequenza, ma l'X1800 Prime consente anche di applicarli a una banda di frequenza isolata del segnale audio (del canale selezionato).

Per selezionare la banda di frequenza, girare la manopola **FX Frequency**. Selezionare la posizione centrale (12:00) per applicare effetti all'intero spettro di frequenze.

La modalità Instant FX consente di utilizzare la striscia FX touch per attivare l'effetto e regolare la sua divisione di tempo contemporaneamente.

Per abilitare o disabilitare la modalità Instant FX, premere Instant. Quando è abilitata, il tasto si illumina.

Per attivare l'effetto, toccare e tenere il dito sulla **FX touch strip**, quindi trascinare il dito verso l'alto o verso il basso per regolare la divisione di tempo dell'effetto.

Sweep FX

Sweep FX consente di applicare uno di quattro effetti ai quattro canali e di applicare lo "sweep" utilizzando le **manopole Sweep FX**. Si può applicare un solo effetto sweep alla volta.

Per attivare un effetto sweep, toccare uno dei tasti Sweep FX: **Dub Echo**, **Noise**, **Wash Out** o **Gate**. Quando è attivato, il tasto si illumina. È possibile abilitare solo uno di questi tasti alla volta.

Per disattivare un effetto sweep, toccare il tasto **Sweep FX** acceso. Alternativamente, premere un tasto Sweep FX diverso per attivarlo. In questo modo l'altro verrà disattivato.

Questi sono gli effetti disponibili e come ciascuno di essi è controllato dalle manopole Sweep FX. Per tutti gli effetti sweep, la posizione centrale (“12:00”) della manopola Sweep FX è la posizione minima (l’effetto non è applicato). Girandola in senso orario o in senso antiorario da questa posizione si possono ottenere risultati diversi.

- **Dub Echo:** questo effetto aggiunge un breve eco. Girare una **manopola Sweep FX** in senso antiorario per ridurre la lunghezza del ritardo e aumentare il feedback, oppure girarla in senso orario per aumentare la lunghezza del ritardo e del feedback.
- **Noise:** questo effetto aggiunge rumore al segnale. Girare una **manopola Sweep FX knob** in senso antiorario per aggiungere un rumore rosa o girarla in senso orario per aggiungere un rumore bianco.
- **Wash Out:** crea un effetto di transizione. Girare una **manopola Sweep FX** nella sua posizione antioraria estrema (minimo) per applicare un eco di 1 beat che silenzierà anche il normale segnale audio del canale, oppure girarlo alla posizione estrema oraria (massima) per applicare un eco da 1/2 beat.
- **Gate:** questo effetto applica un effetto cancello basato sul tempo al segnale. Girare una **manopola Sweep FX** in senso antiorario per applicare un effetto cancello sincronizzato con il tempo del canale, oppure girarla in senso orario per fare lo stesso con un effetto aggiunto.

Menu Utilità

Il menù Utilità consente di personalizzare varie impostazioni dell’X1800 Prime che influiscono sul convogliamento del segnale audio, il modulo effetti, i livelli di ingresso e uscita e molto altro.

Per entrare o uscire dal menù Utility, premere **Utility**. Uscendo dal menù Utilità si salvano tutte le modifiche apportate.

Nel menù Utilità è possibile compiere tutte le seguenti operazioni:

- **Per selezionare un’opzione,** girare la manopola **FX Select/Enter**.
- **Per confermare la scelta o entrare in un sottomenu,** premere la manopola **FX Select/Enter**.
- **Per tornare alla schermata precedente,** premere **Back**.

Qui di seguito si trova la descrizione dei vari sottomenu del menù Utilità:

EQ

Queste impostazioni determinano come lavorano le manopole Channel EQ.

- **Type:** selezionare **ISO** per impostare l’intervallo delle manopole Channel EQ da **-∞** a **+6dB/+10dB** (come indicato). Selezionare **EQ** per impostare l’intervallo delle manopole Channel EQ da **-24dB** a **+6dB** (per altri lettori che potrebbero necessitare di questo tipo di impostazione).
- **High Cross Over:** è la frequenza di crossover tra le manopole High e Mid EQ quando **Type** è impostato su **ISO: 1000Hz-8000Hz** (in incrementi variabili).
- **Low Cross Over:** è la frequenza di crossover tra le manopole Mid e Low EQ quando **Type** è impostato su **ISO: 100Hz-800Hz** (in incrementi variabili).
- **Reset EQ Default:** selezionare **OK** per far tornare le impostazioni di Channel EQ ai loro valori predefiniti, oppure selezionare **Cancel** per tornare al menù precedente.

Filter

- **Resonance:** si tratta della risonanza dei filtri sui Canali 1-4 (vale a dire in che misura le frequenze appena al di là della frequenza di taglio possono passare attraverso il filtro). **0** è un’impostazione flat (le frequenze appena al di là della frequenza di taglio non si sentiranno affatto), mentre **15** implica una risonanza elevata (la frequenza di taglio non è così “severa” e sarà possibile udire alcune frequenze adiacenti).

Headphones

- **Attenuation:** è il livello del guadagno dell’uscita cuffie. Da **-15dB** a **0dB**.

Microphone

Queste impostazioni influiscono sui microfoni.

- **Gain:** è il livello del guadagno degli ingressi microfono: da **-10dB a +10dB**.
- **Talk Over Level:** queste impostazioni determinano in che misura il livello del volume master mix è abbassato quando la funzione “talkover” del microfono è attivata: da **-20dB a -40dB**.
- **Talk Over Resume:** quando si utilizza la funzione “talkover”, il volume del master mix tornerà al suo livello normale quando l'ingresso del microfono non individua alcun segnale di ingresso. Questa impostazione determina se la transizione avrà luogo in maniera moderata (**Normal**) o rapida (**Fast**).
- **EQ High:** questa è la banda di frequenza che sarà influenzata dalla manopola High Mic EQ: **1000Hz–4000Hz** (in incrementi variabili).
- **EQ Low:** questa è la banda di frequenza che sarà influenzata dalla manopola Low Mic EQ: **500Hz–2000Hz** (in incrementi variabili).
- **Booth Receive:** selezionare **On** per fare in modo che il segnale del microfono sia inviato alle uscite booth e alle uscite di registrazione. Selezionare **Off** per fare in modo che il segnale del microfono sia inviato unicamente alle uscite master.
- **Reset Mic Default:** selezionare **OK** per far tornare le impostazioni Mic ai loro valori predefiniti, oppure selezionare **Cancel** per tornare al menù precedente.

Advanced Audio

Questa impostazione determina il funzionamento digitale del mixer e altre funzioni avanzate.

- **Sampling Rate:** è la frequenza di campionamento del segnale audio USB: **44.1kHz, 48kHz, o 96kHz**.
- **Master Out Level:** si tratta di uno sfasamento rispetto al livello del volume delle uscite master: da **-15dB a 0dB**.
- **Booth Out Level:** si tratta di uno sfasamento rispetto al livello del volume delle uscite booth: da **-15dB a 0dB**.
- **USB Audio:** queste impostazioni determinano il convogliamento e i livelli di audio USB.
 - **CH1-4/Master/Cue Assign:** queste impostazioni determinano quali canali audio USB (**1/2-9/10**) riceveranno il segnale audio dai Canali 1-4 (**CH1-CH4**), il master mix (**Master**) e il canale cue (**Cue**).
 - **Output Level:** si tratta di uno sfasamento rispetto al livello del volume del master mix inviato al computer tramite un collegamento USB. da **-20dB a -20dB**.
 - **Ch Input Level:** si tratta di uno sfasamento rispetto al livello del volume dei segnali audio inviati ai Canali 1-4 dal computer tramite un collegamento USB. da **-20dB a -20dB**.
- **DVS Setup:** per i Canali 1-4 (**CH1-CH4**), selezionare il livello di ingresso che verrà utilizzato da ciascuno di essi quando il relativo selettore di ingressi è impostato su **DVS**. Selezionare **Phono** per utilizzare il controllo dei dischi in vinile oppure **Line** per utilizzare il controllo dei CD.
- **Digital Settings:**
 - **Digital Out:** si tratta di uno sfasamento rispetto al livello del volume del segnale audio inviato dall'uscita digitale. da **-20dB a -20dB**.
 - **Digital Link:** selezionare **On** per sommare il segnale in uscita prima della manopola **Master** e della manopola **Booth**, che possono essere utilizzate per controllare il livello di uscita. Selezionare **Off** per sommare il segnale in uscita dopo la manopola **Master** e la manopola **Booth**, che non avranno alcun effetto sul livello di uscita.
 - **Link Level:** si tratta di uno sfasamento rispetto al livello del volume del segnale audio inviato all'ingresso Digital Link. da **-20dB a -20dB**.
- **Cross Fader Cut:** questa impostazione determina in che misura occorre spostare il crossfader da ciascun lato (**Fader Cut A o B**) affinché inizi a influenzare il segnale audio: **-2,0 mm a 2,0 mm**
- **FX Edit:**
 - **FX Return:** è il livello di unità per le uscite send e gli ingressi di ricezione. **-10dB-0dB**. A seconda degli effetti esterni utilizzati, può essere necessario regolare questa impostazione.
 - **Beat Break Edit:** questo menù consente di selezionare, modificare e memorizzare i pattern per l'effetto BeatBreak. Si veda **Effetti > Modulo effetti BPM** per maggiori informazioni sul funzionamento di questo effetto.

Per modificare un pattern:

 1. Girare la manopola **FX Select/Enter** per selezionare un pattern (**1-16**), e quindi premerla.
 2. Girare la manopola **FX Select/Enter** per selezionare uno dei 12 sedicesimi nel pattern. Non è possibile modificare i quattro beat principali del pattern; questi suoneranno sempre perché contengono l'audio campionato.
Premere la manopola **FX Select/Enter** per cambiare il beat da un “colpo”/”battuta” (■) a una pausa (□) o viceversa.
Ripetere questo passaggio, se desiderato.
 3. Premere **Back** per tornare alla schermata precedente.

- **FX List Customize:** servirsi di questa schermata per personalizzare l'ordine degli effetti. Girare la manopola **FX Select/Enter** per selezionare un effetto dell'elenco di quelli disponibili presenti sulla sinistra, quindi premere la manopola per aggiungere l'effetto al nuovo ordine sul lato destro. Ripetere questo passaggio per ciascun effetto, oppure selezionare **-Cancel-** per tornare alla schermata precedente. Dopo aver fatto questo per tutti gli effetti, selezionare **-End-** per salvare la propria lista personalizzata.
- **BPM FX On Color:** questa impostazione stabilisce il colore del tasto FX On/Off quando lampeggia: **red, spring green, green, light blue, blue, yellow, orange** o **purple**.

System (sistema)

Queste impostazioni determinano il funzionamento generale.

- **Info:** Queste schermate contengono informazioni sull'attuale versione del firmware e informazioni di rete.
 - **Version:** si tratta della versione corrente del firmware dell'X1800 Prime.
 - **IP Address:** l'indirizzo IP che l'X1800 Prime sta utilizzando.
 - **MAC Address:** l'indirizzo MAC che l'X1800 Prime sta utilizzando.
- **Engine Connect:** selezionare **Auto** per abilitare l'X1800 Prime a ricevere automaticamente informazioni su tempo e BPM (per sincronizzare i tempi degli effetti) dalle unità SC5000 Prime collegate alle sue porte Link e a inviare dati relativi alle tracce e ai profili utente tra di esse. L'X1800 Prime individuerà e configurerà automaticamente ciascun SC5000 Prime una volta collegate le rispettive porte Link. Selezionare **Manual** per disattivare il collegamento automatico e attivare questa funzione solo manualmente tenendo premuto il tasto **Engine Connect** fino a quando la schermata Channel Assignment non compare sulle unità SC5000 Prime. È quindi possibile assegnare ciascuno strato dell'X1800 Prime a un canale specifico.
- **Cue Settings:**
 - **Cue Solo Mode:** selezionare **On** per utilizzare i tasti Channel Cue come tasti "assolo" (la pressione di un tasto silenzierà tutti gli altri canali). Selezionare **Off** per utilizzarli come normali tasti cue (la pressione di uno di essi invierà il relativo segnale al canale cue).
 - **Cue 1-4 Color:** questa impostazione stabilisce il colore dei tasti Cue per ciascun canale: **red, spring green, green, light blue, blue, yellow, orange** o **purple**.
 - **Reset Cue Defaults:** selezionare **OK** per far tornare le impostazioni Cue ai loro valori predefiniti, oppure selezionare **Cancel** per tornare al menù precedente.
- **Network Settings:**
 - **Refresh IP Address:** selezionare **OK** per rinnovare l'indirizzo IP, ristabilendo il collegamento tra l'X1800 Prime e qualsiasi unità SC5000 Prime collegata alle porte Link. Selezionare **Cancel** per tornare alla schermata precedente.
- **MIDI:** si tratta delle impostazioni MIDI che determinano i canali e i collegamenti MIDI utilizzati.
 - **Clock Send:** queste impostazioni determinano se l'X1800 Prime invierà messaggi MIDI Clock su ciascuna di tali connessioni o meno. Per ciascuna opzione, selezionare **On** per abilitare la trasmissione oppure **Off** per disabilitarla.
 - **USB:** si applica a entrambe le **porte USB 1 e 2**. Se si utilizza l'X1800 Prime per controllare software, impostare questo comando su **On**.
 - **5pin:** si applica all'**uscita MIDI**.
 - **Active Send:** queste impostazioni determinano se l'X1800 Prime invierà messaggi MIDI normali su ciascuna di tali connessioni o meno. Per ciascuna opzione, selezionare **On** per abilitare la trasmissione oppure **Off** per disabilitarla.
 - **USB:** si applica a entrambe le **porte USB 1 e 2**. Se si utilizza l'X1800 Prime per controllare software, impostare questo comando su **On**.
 - **5pin:** si applica all'**uscita MIDI**.
- **Factory Reset:** selezionare **OK** per riportare l'X1800 Prime ai valori di fabbrica predefiniti (attendere alcuni secondi dopo aver selezionato questa opzione prima di riprendere l'uso normale). Selezionare **Cancel** per tornare alla schermata precedente.

Benutzerhandbuch (Deutsch)

Einführung

Features:

- 4-Kanal-Digitalmixer mit (4) schaltbaren Phono/Line-Kanälen
- BPM Effekte-Bereich mit geregelter Frequenzband-Isolation
- Zwei USB-Audioverbindungen für Software und Audiogeräte
- Eigene Sweep- und BPM-Effekte-Regler - qualitativ hochwertige Effekte für jeden Kanal mit einfachem ein-Kopf-Bedienung
- Ausdrucksstarker EQ - wählen Sie Klassik- oder Isolationsmodi und eine anpassbare Filterresonanzsteuerung
- Engine Connect-Protokoll für an das Beatgrid angepasste Effekte
- Ausdrucksstarker Denon DJ Flex-Fader-Crossfader
- Schließen Sie MIDI-basierte Effekte und Instrumente an
- 24-Bit/96 kHz Digitalausgang für kompromisslose Audioqualität
- Gut lesbarer OLED-Bildschirm für präzise, menügeführte Änderungen
- (4) digitale Eingänge für hochauflösendes Audio-Mixing
- LAN-Hub für bis zu vier Player oder Zubehör

Lieferumfang

X1800 Prime	Benutzerhandbuch
USB-Kabel	Sicherheitshinweise und Garantieinformationen
Netzkabel	

Kundendienst

Für die neuesten Informationen zu diesem Produkt (Dokumentation, technische Daten, Systemanforderungen, Informationen zur Kompatibilität etc.) und zur Produktregistrierung besuchen Sie bitte: denondj.com.

Für zusätzlichen Produkt-Support besuchen Sie denondj.com/support.

Setup

1. Vergewissern Sie sich, dass alle Ihre Geräte **ausgeschaltet** oder all ihre Lautstärkepegel auf ihren **Minimalpositionen** sind.
2. Verbinden Sie die Audioausgänge Ihres Media Players mit den Eingängen des X1800 Prime.
3. Wenn Sie SC5000 Prime-Geräte verwenden, verbinden Sie deren **Link**-Ports mit den Link-Ports des X1800 Prime Mischpultes nach einem der folgenden Schaltplanbeispiele.
4. Schließen Sie alle anderen Geräte (Plattenspieler, Kopfhörer, Endstufen, Lautsprecher usw.) an die jeweiligen Ein- und Ausgänge des X1800 Prime an.
5. Schließen Sie alle Geräte an Stromquellen an.

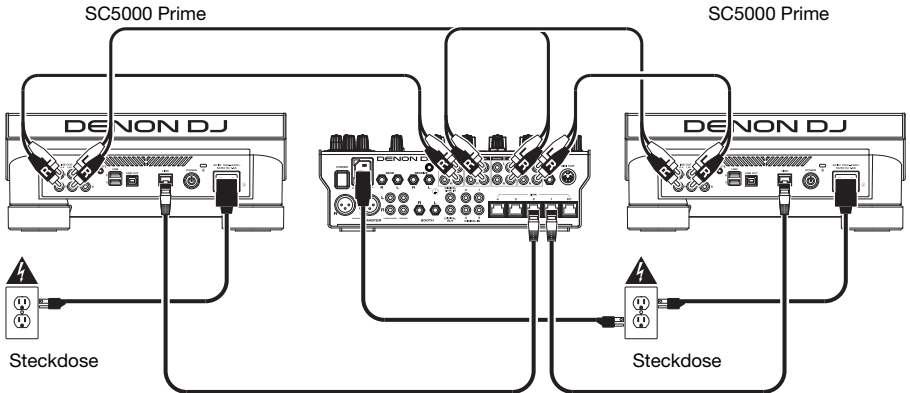
Wenn Sie eine Sitzung starten, schalten Sie **(1)** Ihre Media Players und andere Eingangsquellen, **(2)** das X1800 Prime und dann **(3)** die Ausgabegeräte ein.

Wenn Sie eine Sitzung beenden, schalten Sie **(1)** die Ausgabegeräte, **(2)** das X1800 Prime und dann **(3)** Ihre Media Players und andere Eingangsquellen aus.

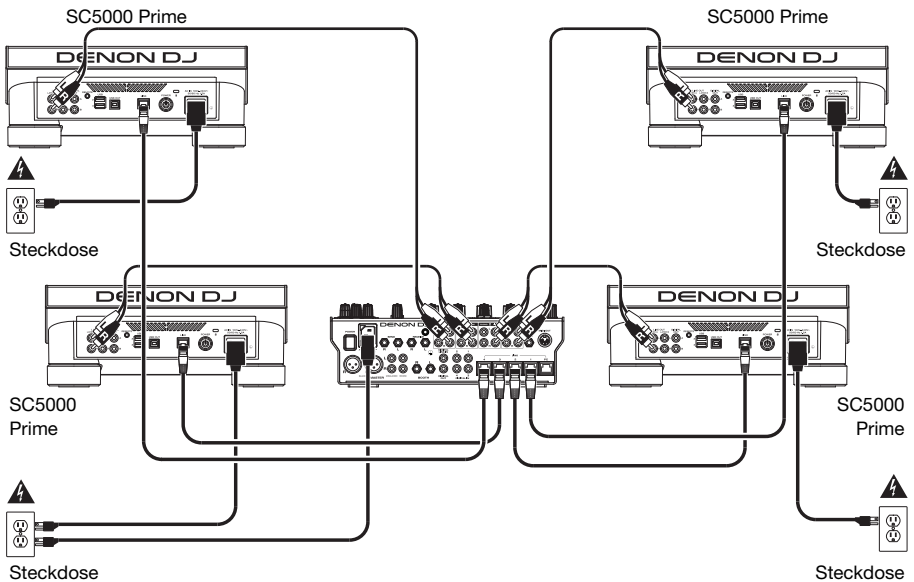
Anschlüssediagramme

Artikel, die unter [Einführung > Lieferumfang](#) aufgeführt sind, sind separat erhältlich.

Beispiel 1



Beispiel 2



Netzwerk

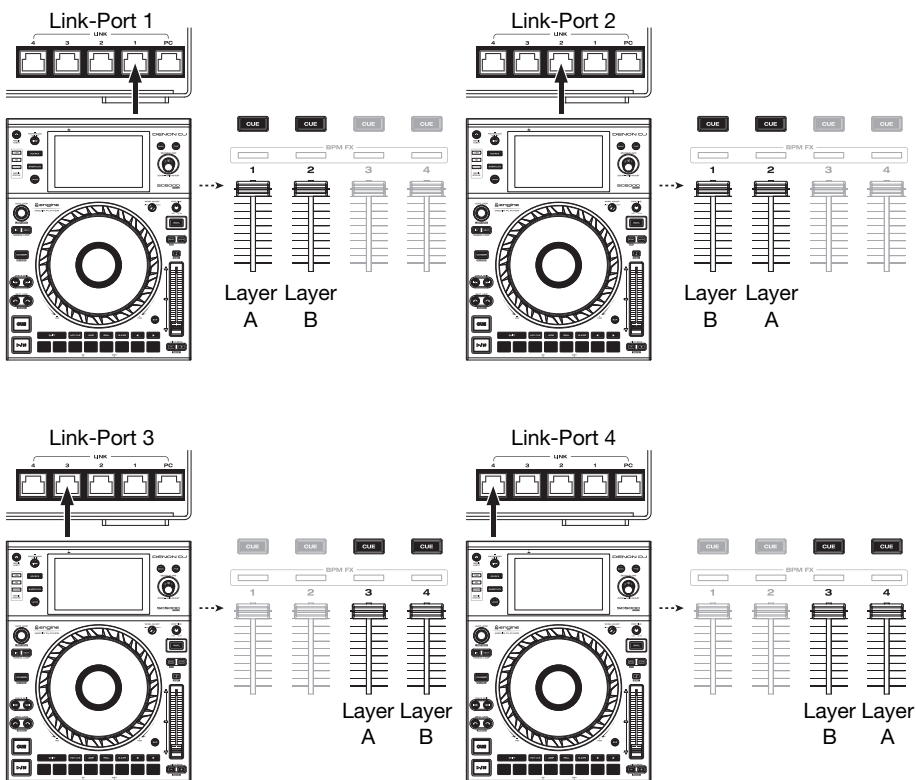
Sie können das X1800 Prime verwenden, um mehrere SC5000 Prime-Geräte miteinander zu vernetzen, so dass sie nahtlos Timing- und BPM-Informationen (zur Synchronisation von Effektempas) mit dem X1800 Prime sowie Track- und Benutzerprofilen mit anderen SC5000 Prime-Geräten teilen können.

Diese Funktion bietet einige Vorteile bei Auftritten. Wenn Sie zum Beispiel vier SC5000 Prime-Geräte verwenden, können Sie mit einem von ihnen **alle** Tracks auf **allen** Geräten (USB-Laufwerke oder SD-Karten) durchsuchen, die mit einer **beliebigen** SC5000 Prime-Einheit verbunden sind. Sie können dann all diese Tracks sofort abspielen, ohne sich von einem Player zum anderen bewegen zu müssen.

Um die SC5000 Prime-Geräte miteinander zu vernetzen, verwenden Sie die mitgelieferten Netzwerkkabel, um jeden ihrer **Link-Ports** mit einem **Link-Port (1-4)** auf der Rückseite des X1800 Prime zu verbinden.

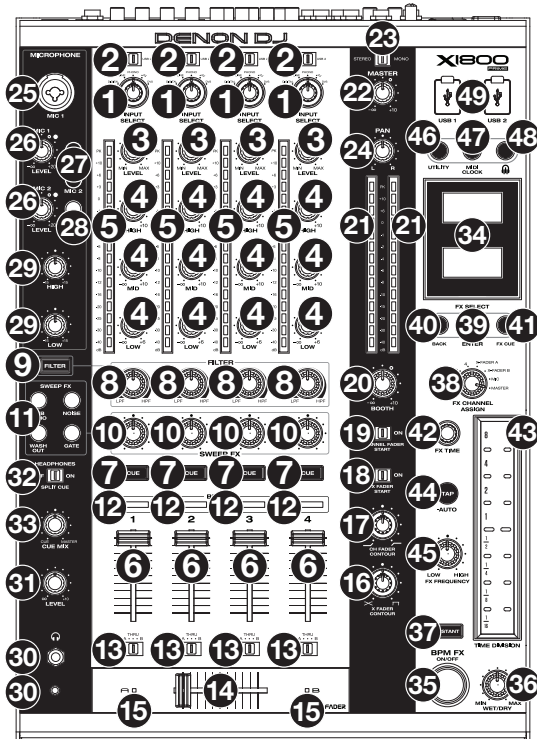
Das **Network (Media Status)**-Licht auf jedem SC5000 Prime-Gerät schaltet sich ein, wenn es ordnungsgemäß an ein Netzwerk angeschlossen ist.

Automatische Konfiguration mit SC5000 Prime:



Funktionen

Oberseite



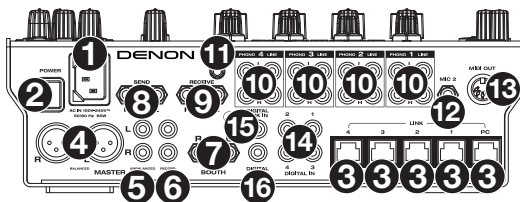
- Input Select:** Drehen Sie diese Regler, um die gewünschte Audioquelle für jeden Kanal auszuwählen:
 - **Digital:** die digitalen Eingänge
 - **Line:** die Line-Eingänge
 - **Phono:** die Phono-Eingänge
 - **USB:** ein Computer der an einen **USB-Port** angeschlossen ist.
 - **DVS:** Ein Computer, der mit einem **USB-Port** verbunden ist, während eine Timecode-Vinyl mit einem digitalen Vinylsystem verwendet wird.
- USB 1/2:** Wenn der **Input Select**-Regler auf **USB** eingestellt ist, verwenden Sie diese Schalter, um **USB Port 1** oder **USB Port 2** als Quelle auszuwählen. Wenn die Einstellung **USB-Anschluss 1** gewählt ist (und ein Computer mit diesem Anschluss verbunden ist), steuert der Kanal den entsprechenden Kanal in Ihrer Software.
- Level:** Drehen Sie diesen Regler, um die jeweiligen Pegel des Audiokanalsignals vor dem Fader und dem EQ (Pre Fader, Pre EQ) einzustellen.
- EQ (High, Mid, Low):** Drehen Sie diese Regler, um die Höhen, Mitten und Bassfrequenzen des jeweiligen Kanals anzuheben oder abzusenken. Im Optionsmenü können Sie den EQ-Typ einstellen, der die minimalen (Cut) und maximalen (Boost) Werte bestimmt (siehe [Betrieb > Optionsmenü > EQ](#)).

5. **Kanalpegelanzeigen:** Diese LEDs zeigen den Audiosignalpegel vor dem Fader (Pre Fader) für jeden Kanal an.
6. **Kanal-Fader:** Verwenden Sie diese Fader, um die Lautstärke jedes Kanals einzustellen.
7. **Channel Cue:** Drücken Sie diese Tasten, um das Pre-Fader-Signal jedes Kanals an den Cue-Kanal (Cue-Bus) des Kopfhörers zu senden. Drücken Sie mehr als eine dieser Tasten gleichzeitig, um die Signale ihrer Kanäle gleichzeitig an den Cue-Kanal zu senden.
8. **Filter Knob:** Drehen Sie diese Regler, um den auf jeden Kanal angewendeten Filter einzustellen. Drehen Sie den Regler gegen den Uhrzeigersinn, um einen Tiefpassfilter anzuwenden. Drehen Sie den Regler im Uhrzeigersinn, um einen Hochpassfilter anzuwenden.
9. **Filter-Taste:** Drücken Sie diese Taste, um die Filter (die über die **Filter-Regler gesteuert werden**) auf allen Kanälen zu aktivieren oder zu deaktivieren.
10. **Sweep FX-Regler:** Drehen Sie diese Regler, um die Balance zwischen dem „wet“ Signal (dem Ausgangssignal des Sweep-Effekts) und dem „dry“ Signal (Audiosignal ohne Sweepeffekte) einzustellen. Wählen Sie den Regler in die Mittenposition (12 Uhr), um ein komplett unbearbeitetes Signal („dry“) auszuwählen. Es finden unterschiedliche Effekte von der Mittelposition einmal im Uhrzeigersinn und einmal gegen den Uhrzeigersinn statt. Näheres erfahren Sie unter dem Punkt Sweep FX.
11. **Sweep FX-Taste:** Drücken Sie eine dieser Tasten, um einen Effekt zu aktivieren oder zu deaktivieren, den Sie mit den **Sweep FX-Reglern** steuern können. Es kann jeweils nur eine dieser Tasten aktiviert werden.
 - **Dub Echo:** Dieser Effekt ist ein kurzes Echo. Ausgehend von der 12-Uhr-Position drehen Sie einen **Sweep FX-Regler** gegen den Uhrzeigersinn, um die Verzögerungszeit zu verkürzen und die Rückkopplung zu erhöhen oder drehen ihn im Uhrzeigersinn, um die Länge der Verzögerung sowie die Rückkopplung zu erhöhen.
 - **Noise:** Dieser Effekt fügt dem Signal ein Rauschen hinzu. Beginnen Sie bei der 12-Uhr-Position und drehen einen **Sweep FX-Regler** gegen den Uhrzeigersinn, um rosa Rauschen hinzuzufügen oder im Uhrzeigersinn, um weißes Rauschen hinzuzufügen.
 - **Wash Out:** Dies erzeugt einen Übergangseffekt. Drehen Sie einen **Sweep FX-Regler** auf die Position ganz links (Minimalposition), um ein 1-Beat-Echo anzuwenden, das auch das normale Audiosignal des Kanals stumm schaltet oder drehen Sie ihn auf die Position ganz rechts, um ein 1/2-Beat Echo anzuwenden.
 - **Gate:** Dieser Effekt wendet einen zeitbasierten Gate-Effekt auf das Signal an. Beginnen Sie bei der 12-Uhr-Position und drehen Sie den **Sweep FX-Regler** gegen den Uhrzeigersinn, um einen Gate-Effekt zu verwenden, der mit dem Tempo des Kanals synchronisiert ist oder drehen Sie den Regler im Uhrzeigersinn, um dasselbe mit einem zusätzlichen Effekt zu tun.
12. **BPM FX-Anzeigen:** Diese Anzeigen leuchten, wenn ein Kanal ausgewählt und vom BPM-Effektmodul beeinflusst wird (wenn der **FX Channel Assign**-Regler auf Kanal **1, 2, 3** oder **4** eingestellt ist).
13. **Crossfader-Zuweisen:** Sendet die Audiospuren, die am entsprechenden Kanal wiedergegeben werden, an jeweils eine Seite des Crossfaders - **A** (links) oder **B** (rechts) - oder überbrückt den Crossfader und sendet das Audiosignal direkt zum Programm-Mix **Thru** (Mitte).
14. **Crossfader:** Verwenden Sie diesen Crossfader, um die aktiven Decks zu mischen.
15. **Crossfader-Anzeigen:** Diese Anzeigen leuchten, wenn eine Seite des Crossfaders ausgewählt und vom Effektmodul beeinflusst wird (wenn der **FX Channel Assign**-Regler auf **X-Fader A** oder **B** eingestellt ist).
16. **X Fader Contour:** Drehen Sie diesen Regler, um die Kurve des **Crossfaders** anzupassen. Drehen Sie den Regler nach links für sanfte Übergänge (Mixing) oder nach rechts für abruptes Überblenden (Scratching). Die Mittelposition ist eine typische Einstellung für Club-Performances.
17. **Ch Fader Contour:** Drehen Sie diesen Regler, um die Kurve der **Kanalfader** einzustellen. Drehen Sie den Regler gegen den Uhrzeigersinn, um eine Kurve zu verwenden, die „später“ ansteigt (näher zum oberen Bereich des Faderns). Drehen Sie ihn im Uhrzeigersinn, um eine Kurve zu verwenden, die „früh“ ansteigt (beinahe gleich nach dem Bewegen des Faderns aus seiner minimalen Position). Die Mittelstellung ist eine lineare Kurve.
18. **X Fader Start:** Verwenden Sie diesen Schalter, um den Crossfader-Start zu aktivieren oder zu deaktivieren. Wenn diese Option aktiviert ist, können Sie die SC5000 Prime-Geräte, die jeweils einer Crossfader-Seite zugewiesen sind, automatisch starten, indem Sie den Crossfader von dieser Seite bewegen.

19. **Channel Fader Start:** Verwenden Sie diesen Schalter, um den Channel Fader Start zu aktivieren oder zu deaktivieren. Wenn diese Option aktiviert ist, können Sie die SC5000 Prime-Geräte, die an jeden Kanal angeschlossen sind, automatisch starten, sobald der Kanal-Fader nach oben bewegt wird.
20. **Booth:** Drehen Sie diesen Regler, um die Lautstärke der **Booth-Ausgänge** einzustellen.
21. **Master-Pegelanzeigen:** Diese LEDs zeigen den Audiosignalpegel des (aus den **Master-Ausgängen** gesendeten) Master-Mix an.
22. **Master:** Drehen Sie diesen Regler, um die Lautstärke der **Master-Ausgänge** einzustellen.
23. **Stereo/Mono-Wahlschalter:** Verwenden Sie diesen Schalter, um die Kanalkonfiguration der Master-Ausgänge einzustellen: **Stereo** (Binaurales Audiosignal mit separatem linken und rechten Kanal) oder **Mono** (summiertes monaurales Audiosignal des linken und rechten Kanals).
24. **Pan:** Drehen Sie diesen Regler, um die Lautstärke der **Masterausgänge** im Stereofeld einzustellen.
25. **Mic 1-Eingang:** Verwenden Sie ein handelsübliches XLR-Kabel oder 6,35 mm Kabel (nicht im Lieferumfang enthalten), um ein standardmäßiges dynamisches Mikrofon an diesen Eingang anzuschließen
26. **Mic 1/2 Level:** Drehen Sie diesen Regler, um die Lautstärke der entsprechenden Mikrofon-Eingänge einzustellen. Die LED neben jedem Regler zeigt den aktuellen Signalpegel durch ihre Farben an: **grün** (normal/optimal) oder **rot** (Maximum/Peak).
27. **Mic On/Off:** Drücken Sie diese Tasten, um das entsprechende Mikrofon zu aktivieren oder zu deaktivieren.
28. **Talk Over:** Drücken Sie diese Taste zum Aktivieren/Deaktivieren der „Talkover“-Funktion, die automatisch die Lautstärke des Master-Mix absenkt, wenn Sie in das Mikrofon sprechen. Mit Hilfe des Optionsmenüs können Sie einstellen, wie stark die Mastermix-Lautstärke abgesenkt wird und wie schnell diese danach wieder auf ihren normalen Pegel zurückkehrt (siehe [Betrieb > Optionsmenü > Microphone](#)).
29. **Mic EQ (High, Low):** Drehen Sie diese Regler, um die hohen und niedrigen Frequenzen für die beiden Mikrofone anzuheben oder abzusenken.
30. **Kopfhörerausgänge:** Stecken Sie einen Kopfhörer in diese 6,35 mm und 3,5 mm Buchsen für das Monitoring des Signals. Drehen Sie den **Kopfhörer-Lautstärkeregler**, um die Lautstärke zu regeln.
31. **Kopfhörer-Pegel:** Mit diesem Regler stellen Sie die Ausgangslautstärke der Kopfhörer ein.
32. **Split Cue:** Wenn dieser Schalter auf die Position **On** gebracht wird, wird das Kopfhörersignal „aufgeteilt“, so dass alle Kanäle, die an den Cue-Kanal gesendet werden, auf Mono summiert und an den linken Kopfhörerkanal gesendet werden und der Master-Mix auf Mono summiert und an den rechten Kanal gesendet wird. Wenn sich der Schalter in der Position **Aus** befindet, wird der Cue-Kanal und Master-Mix „zusammengemischt“.
33. **Cue Mix:** Drehen Sie diesen Regler, um die Balance zwischen dem Cue-Ausgang und dem Master Mix-Ausgang im Kopfhörer einzustellen.
34. **Anzeigen:** Diese Anzeigen zeigen aktuelle Informationen über Effekte und Tempo sowie das Optionsmenü.
35. **FX On/Off:** Drücken Sie diese Taste, um das BPM-Effektmodul ein- oder auszuschalten.
36. **Wet/Dry:** Drehen Sie diesen Regler, um die Balance zwischen dem „wet“ Signal (dem Ausgangssignal des BPM-Effektmoduls) und dem „dry“ Signal (Audiosignal ohne BPM-Effekte) einzustellen.
37. **Instant:** Drücken Sie diese Taste, um den Instant FX-Modus für den **FX-Touch-Strip** zu aktivieren oder zu deaktivieren.
38. **FX Channel Assign:** Drehen Sie diesen Regler, um den Kanal auszuwählen, auf den das BPM-Effektmodul seine Effekte anwendet: **Channel 1, 2, 3, or 4; X-Fader A** oder **B** (beide Seiten des Crossfaders); **Mic** (beide Mikrofonsignale); oder **Master** (der Master-Mix).
39. **FX Select/Enter:** Drehen Sie diesen Regler, um einen Effekt auszuwählen. Im Optionsmenü drehen Sie diesen Regler, um eine Option auszuwählen und drücken Sie ihn, um Ihre Auswahl zu bestätigen oder ein Untermenü aufzurufen.
40. **Back:** Drücken Sie diese Taste, um zum vorherigen Bildschirm im Optionsmenü zurückzukehren.
41. **FX Cue:** Drücken Sie diese Taste, um die BPM-Effekte im Cue-Kanal des Kopfhörers vorzuhören. Nicht alle BPM-Effekte können vorgehört werden.

- 42. **FX Time:** Drehen Sie diesen Regler, um die Rate einzustellen, die das BPM-Effekt-Modul verwenden soll. Drücken Sie den Regler, um zwischen der Ratenanpassung als Zeiteilung und der Ratenanpassung in Millisekunden umzuschalten. Ein entsprechendes Licht entlang des FX-Touch-Strip leuchtet auf, um die aktuelle Zeiteilung anzuzeigen.
- 43. **FX Touch Strip:** Wenn die Instant-Taste ausgeschaltet (deaktiviert) ist, tippen Sie auf einen Bereich auf diesem berührungssensitiven Streifen, um die Zeiteilung auszuwählen, die das BPM-Effektmodul verwenden soll. Ein entsprechendes Licht entlang des FX-Touch-Strip leuchtet auf, um die aktuelle Zeiteilung anzuzeigen. Wenn die aktuelle Zeiteilung kein auf dem Streifen angezeigter Quantisierungswert ist (z. B. ein BeatBreak-Effekt), leuchtet kein Licht auf.
Wenn die Instant-Taste eingeschaltet (aktiviert) ist, halten Sie den Finger auf den Streifen, um die Effekte zu aktivieren und bewegen den Finger dann nach oben oder unten, um die Zeiteilung des Effekts anzupassen.
- 44. **Tap:** Tippen Sie *mindestens dreimal* im gewünschten Tempo auf diese Taste, um die Rate aller zeitbasierten Effekte einzustellen. Halten Sie diese Taste 1 Sekunde lang gedrückt, um das Tempo auf das Tempo des **FX Channel Assign**-Reglerkanals zu stellen (wenn Kanal 2 z.B. einen Effekt mit eine Rate von 135 BPM verwendet und der FX Channel Assign-Regler auf Kanal 2 eingestellt ist, halten Sie diese Taste gedrückt, um die Rate der zeitbasierten Effekte auf **allen** Kanälen auf 135 BPM einzustellen).
- 45. **FX Frequency:** Drehen Sie diesen Regler, um ein Frequenzband des Audiosignals auszuwählen, auf das die BPM-Effekte angewendet werden sollen. Wählen Sie die Mittelposition (12 Uhr), um Effekte auf das gesamte Frequenzspektrum anzuwenden.
- 46. **Utility:** Drücken Sie diese Taste, um das Optionsmenü, das im Display erscheint, aufzurufen oder zu verlassen. Beim Verlassen des Optionsmenüs werden auch die vorgenommenen Änderungen gespeichert.
- 47. **MIDI Send:** Drücken Sie diese Taste, um eine MIDI-Start-Meldung aus dem **USB-Port** oder dem **MIDI-Ausgang** zu senden (Sie können das Optionsmenü zur Auswahl verwenden.). Das Tempo richtet sich nach der Auswahl des **FX Channel Assign**-Reglers. Wenn Sie die Auswahl des **FX Channel Assign**-Reglers ändern, halten Sie diese Taste gedrückt, um das neue Tempo zu senden.
- 48. **Engine Connect:** Wenn die **Link**-Ports mit SC5000 Prime-Geräten verbunden sind, drücken Sie diese Taste, um es dem X1800 Prime zu ermöglichen, Timing- und BPM-Informationen (zur Synchronisation von Effektempo) zu empfangen und Track- und Benutzerprofildaten zwischen SC5000 Prime-Geräten zu senden.
- 49. **USB Ports:** Verwenden Sie Standard-USB-Kabel, um Computer mit diesen USB-Anschlüssen zu verbinden.

Rückseite



- 1. **Netzanschluss:** Verwenden Sie das mitgelieferte Netzkabel, um diesen Eingang mit einer Steckdose zu verbinden.
- 2. **Netzschalter:** Drücken Sie diese Taste, um das X1800 Prime ein- oder auszuschalten. Schalten Sie das X1800 Prime erst ein, nachdem Sie all Ihre Eingabegeräte verbunden haben und bevor Sie Ihren Verstärker und Lautsprecher einschalten. Schalten Sie den Verstärker und Lautsprecher aus, **bevor** Sie das X1800 Prime ausschalten.

3. **Link Ports:** Verwenden Sie standardmäßige Netzwerkkabel, um diese Ports mit Ihren SC5000 Prime-Geräten und/oder Ihrem Computer zu verbinden. Jedes vernetzte SC5000 Prime kann diese Verbindungen nutzen, um Timing- und BPM-Informationen mit dem X1800 Prime (zur Synchronisation von Effekttempo) sowie Track- und Benutzerprofilaten mit anderen SC5000 Prime-Geräten zu teilen.
4. **Master-Ausgänge (XLR, symmetrisch):** Verwenden Sie ein handelsübliches XLR-Kabel, um diese Ausgänge mit Ihren Lautsprechern oder einem Verstärkersystem zu verbinden. Verwenden Sie den **Master**-Regler an der Oberseite, um die Lautstärke einzustellen.
5. **Master-Ausgänge (Cinch, unsymmetrisch):** Verwenden Sie ein handelsübliches Cinch-Kabel, um diese Ausgänge mit Ihren Lautsprechern oder einem Verstärkersystem zu verbinden. Verwenden Sie den **Master**-Regler an der Oberseite, um die Lautstärke einzustellen.
6. **Aufnahmeausgänge (Record) (Cinch):** Verwenden Sie standardmäßige Cinch-Kabel, um diese Ausgänge mit einem Audiointerface, einem externen Mixer oder einem anderen Gerät zu verbinden. Verwenden Sie das Optionsmenü, um auszuwählen, ob der Mix, der an diese Ausgänge gesendet wird, das Audiosignal der Mikrofone enthalten soll (siehe [Betrieb > Optionsmenü > Microphone](#)).
7. **Booth-Ausgänge (6,35 mm Klinke, symmetrisch):** Verwenden Sie ein handelsübliches 6,35 mm-Klinkenkabel, um diese Ausgänge mit Booth-Monitoren oder einem Booth-Verstärkersystem zu verbinden. Verwenden Sie den **Booth**-Regler an der Oberseite, um die Lautstärke einzustellen. Verwenden Sie das Optionsmenü, um auszuwählen, ob der Mix, der an diese Ausgänge gesendet wird, das Audiosignal der Mikrofone enthält (siehe [Betrieb > Optionsmenü > Microphone](#)).
8. **Send-Ausgänge (6,35 mm, TRS):** Verbinden Sie diese Ausgänge mit den Eingängen eines externen Effektmoduls oder eines anderen Gerätes. Im Optionsmenü können Sie den Pegel dieses Audiosignals einstellen (siehe [Betrieb > Optionsmenü > Advanced Audio](#)).
9. **Return-Eingänge (6,35 mm, TRS):** Verbinden Sie diese Eingänge mit den Ausgängen eines externen Effektmoduls oder eines anderen Gerätes. Im Optionsmenü können Sie den Pegel dieses Audiosignals einstellen (siehe [Betrieb > Optionsmenü > Advanced Audio](#)).
10. **Phono/Line-Eingänge (Cinch):** Verwenden Sie standardmäßige Cinch-Kabel, um diese Line- oder Phono-Level-Eingänge mit einer externen Audioquelle zu verbinden. Verwenden Sie die **Eingangswahlschalter** auf der Oberseite, um festzulegen, ob das Signal von den Line-Level-Eingängen oder Phono-Level-Eingängen an jeden Kanal gesendet wird.
11. **Erdungsklemme:** Wenn Sie Phono-Level-Plattenspieler mit einem Erdungsdraht verwenden, verbinden Sie den Erdungsdraht mit diesen Klemmen. Wenn Sie ein tiefes Brummgeräusch oder Summen hören, könnte dies bedeuten, dass Ihre Plattenspieler nicht geerdet sind.
Hinweis: Einige Plattenspieler haben einen im Cinch-Anschluss integrierten Erdungsdraht. In diesem Fall muss nichts an die Erdungsklemmen angeschlossen werden.
12. **Mic 2-Eingang (6,35 mm Klinke, symmetrisch):** Verwenden Sie ein handelsübliches 6,35 mm Klinkenkabel (nicht im Lieferumfang enthalten), um ein standardmäßiges dynamisches Mikrofon an diesen Eingang anzuschließen. Verwenden Sie den **Mic 2 Pegelregler** an der Oberseite, um die Lautstärke einzustellen.
13. **MIDI-Ausgang (5-polig DIN):** Verwenden Sie ein standardmäßiges MIDI-Kabel, um diesen Ausgang mit dem MIDI-Eingang eines optionalen, externen MIDI-Gerätes zu verbinden. Sie können die **MIDI-Send**-Taste verwenden, um MIDI-Start-Messages von diesem Ausgang aus zu senden. Sie können diese Verbindung auch im Optionsmenü aktivieren oder deaktivieren (siehe [Betrieb > Optionsmenü > System](#)).
14. **Digital In (Digital-Cinch):** Verwenden Sie digitale Cinch-Kabel, um diese 24-Bit / 96 KHz-Eingänge mit den digitalen Ausgängen Ihrer Denon DJ SC5000 Prime-Geräte zu verbinden.
15. **Digital Link In (Digital-Cinch):** Wenn Sie mehr als ein X1800 Prime-Mischpult verwenden, nutzen Sie ein digitales Cinch-Kabel, um diesen Eingang mit dem **digitalen Ausgang** des anderen X1800 Prime Mischpultes zu verbinden.
16. **Digital Out (Digital-Cinch):** Verwenden Sie ein digitales Cinch-Kabel, um diesen Ausgang mit dem digitalen Eingang eines anderen X1800 Prime-Gerätes oder einer externen Schnittstelle, eines Mischpults oder eines anderen Geräts zu verbinden. Im Optionsmenü können Sie den Pegel des ausgehenden Audiosignals einstellen (siehe [Betrieb > Optionsmenü > Advanced Audio](#)).

Betrieb

Effekte

BPM Effekt-Modul

Mit dem eingebauten Effektmodul können Sie je nach aktuellem Tempo einen bestimmten Effekt auf bestimmte Kanäle anwenden.

Um das BPM-Effektmodul ein- oder auszuschalten, drücken Sie **FX On/Off**.

Drehen Sie den **FX Channel Assign**-Regler, um den Kanal auszuwählen, auf den das BPM-Effektmodul seine Effekte anwendet. Sie haben folgende Optionen: **Channel 1, 2, 3, or 4; X-Fader A oder B** (beide Seiten des Crossfaders); **Mic** (beide Mikrofonsignale); oder **Master** (der Master-Mix).

Um den Effekt auf den Cue-Kanal anzuwenden oder zu entfernen, drücken Sie **FX Cue**. Wenn die Taste leuchtet, werden Effekte nur auf den Cue-Kanal des Kopfhörers angewendet.

Um einen Effekt auszuwählen, drehen Sie den **FX Select/Enter**-Regler.

Dies sind die verfügbaren Effekte:

- **Echo**: Dieser Effekt fügt dem Originalsignal Echos hinzu.
- **Delay**: Dieser Effekt fügt wiederholte Instanzen des Originalsignals hinzu, die nach und nach verklingen.
- **Ping Pong**: Dies ist ein Stereo-Delay-Effekt, bei dem die Verzögerungsrate zwischen den linken und rechten Kanälen unterschiedlich ist.
- **Trans** (transition): Dieser Effekt unterbricht das ursprüngliche Signal regelmäßig.
- **Flanger**: Dieser Effekt fügt eine etwas verzögerte Kopie des Originalsignals hinzu, um einen Kammfiltereffekt zu erzeugen (wird oft mit einem startenden Düsenjet verglichen).
- **Filter**: Dieser Effekt variiert regelmäßig die Filter-Cutoff-Frequenz.
- **Phaser**: Dieser Effekt fügt eine Kopie des Originalsignals hinzu, wobei seine Phase etwas verschoben ist, um einen subtilen, modulierenden Effekt zu erzeugen.
- **Reverb**: Dieser Effekt fügt dem Originalsignal einen Nachhall hinzu. Die Verzögerung hängt vom Tempo ab.
- **Roll**: Dieser Effekt tastet das aktuelle Audiosignal ab und wiederholt es in regelmäßigen Abständen basierend auf der aktuellen Zeiteilung.
- **RevRoll** (Reverse Roll): Dieser Effekt tastet das aktuelle Audiosignal ab und wiederholt es rückwärts in regelmäßigen Abständen basierend auf der aktuellen Zeiteilung.
- **BeatBreak**: Dieser Effekt sampelt die vier Schläge jedes Taktes im Originalsignal und gibt sie (innerhalb desselben Taktes) nach einem Preset-Muster wieder, wodurch ein „stotternder“ Breakbeat-Effekt entsteht.

Um ein zu verwendendes Pattern auszuwählen, drehen Sie den **FX Time**-Regler, um **Pattern 0–15** zu wählen, wie am zweiten Display gezeigt wird. Die 16 Blöcke (■) und/oder Zeilen (___) darunter zeigen den Rhythmus des aktuellen Patterns ähnlich wie bei einem Step Sequencer eines Drumcomputers: Ein Block repräsentiert einen „Schlag“ und eine Linie zeigt eine Pause.

Beispiele:

■ ___ ___ ___ ■ ___ ___ ___ ■ ___ ___ ___ ■ ___ ___ ___ Zeigt einen Schlag bei jedem Beat an.

■ ___ ■ ___ ■ ___ ■ ___ ■ ___ ■ ___ ■ ___ Zeigt einen Schlag auf jeder 8tel-Note an.

■ ■ ■ ■ ■ ■ ■ ■ ■ ■ ■ ■ ■ ■ ■ ■ Zeigt einen Schlag auf jeder 16tel-Note (jede Note des Patterns) an.

Verwenden Sie das Optionen-Menü, um die Muster zu bearbeiten (siehe [Optionenmenü > Advanced Audio](#)).

- **Scratch:** Dieser Effekt wechselt zwischen normaler und umgekehrter Wiedergabe jedes Taktes und erzeugt so einen Vinyl-Scratching-Effekt.
- **SendRtn** (Send/Return): Diese Option aktiviert die Send-Ausgänge und die Return-Eingänge, so dass Sie Effekte von einem externen Effektgerät einschleifen können.

Alle BPM-Effekte sind zeitbasiert, so dass das BPM-Effektmodul mehrere Möglichkeiten bietet, das Tempo einzugeben oder zu erkennen.

Gehen Sie folgendermaßen vor, um die Zeiteilung des BPM-Effektmoduls anzupassen:

- Vergewissern Sie sich, dass im unteren Display die Zeiteilung (**_ Beat**) ausgewählt ist (falls nicht, drücken Sie den **FX Time**-Regler) und drehen dann den **FX Time**-Regler, um eine andere Zeiteilung zu wählen.
- Wenn die **Instant**-Taste **ausgeschaltet** ist, tippen Sie auf einen Bereich des **FX-Touch-Strips**, um eine Zeiteilung auszuwählen. Ein entsprechendes Licht entlang des FX-Touch-Strip leuchtet auf, um die aktuelle Zeiteilung anzuzeigen.

Um die Geschwindigkeit des BPM-Effektmoduls in Millisekunden einzustellen, stellen Sie sicher, dass die Millisekundenrate (**_ ms**) im unteren Display ausgewählt ist (ist dies nicht der Fall, drücken Sie den **FX Time**-Regler) und drehen dann den **FX Time**-Regler, um ihn anzupassen.

Um ein neues Tempo einzugeben, drücken Sie mindestens 3 Mal im gewünschten Tempo auf **Tap**.

Um das Tempo auf die Einstellung des Kanals des FX Channel Assign-Reglers einzustellen, halten Sie Tap/Auto 1 Sekunde lang gedrückt. (Beispiel: Wenn Kanal 2 einen Effekt mit einer Geschwindigkeit von 120 BPM verwendet und der FX Channel Assign-Regler auf Kanal 2 eingestellt ist, wird durch das Halten dieser Taste die Rate der zeitbasierten Effekte auf **allen** Kanälen auf 120 BPM eingestellt.)

Um das Tempo manuell einzustellen, halten Sie **Tap/Auto** gedrückt und drehen dann den **FX Time**-Regler, um die BPM in Einserschritten einzustellen. Während Sie noch **Tap/Auto** halten, drücken Sie und drehen Sie den **FX Time**-Regler, um das Tempo in Schritten von 0,1 BPM einzustellen.

Drehen Sie diese Regler, um die Balance zwischen dem „wet“ Signal (dem Ausgangssignal des BPM-Effektmoduls) und dem „dry“ Signal (Audiosignal ohne BPM-Effekte) ganz einfach einzustellen.

Um die Balance zwischen den „wet“ und „dry“ Signalen einzustellen, drehen Sie den **Wet/Dry**-Regler. Alternativ können Sie den **FX-Touch-Strip** im Instant FX-Modus verwenden (siehe **unten**).

Normalerweise würden Sie Effekte auf das gesamte Frequenzspektrum anwenden, aber mit dem X1800 Prime können Sie diese auch auf einen isolierten Frequenzbereich des Audiosignals (des ausgewählten Kanals) anwenden.

Um das Frequenzband einzustellen, drehen Sie den **FX Frequency**-Regler. Wählen Sie die Mittelposition (12 Uhr), um Effekte auf das gesamte Frequenzspektrum anzuwenden.

Der Instant FX-Modus ermöglicht es Ihnen, den FX-Touch-Strip zu verwenden, um den Effekt zu aktivieren und gleichzeitig seine Zeiteilung einzustellen.

Um Instant FX-Modus zu aktivieren oder zu deaktivieren, drücken Sie **Instant**. Die Taste leuchtet, wenn sie aktiviert ist.

Um den Effekt zu aktivieren, halten Sie den Finger auf den **FX Touch-Strip** und bewegen den Finger dann nach oben oder unten, um die Zeiteilung des Effekts anzupassen.

Sweep FX

Mit Sweep FX können Sie einen von vier Effekten auf die vier Kanäle anwenden und mit den **Sweep FX-Reglern** „abtasten“. Sie können jeweils nur einen Sweep-Effekt gleichzeitig anwenden.

Um einen Sweep-Effekt zu aktivieren, tippen Sie auf eine der Sweep FX-Tasten: **Dub Echo**, **Noise**, **Wash Out** oder **Gate**. Die Taste leuchtet auf, wenn sie aktiviert ist. Es kann jeweils nur eine dieser Tasten aktiviert werden.

Um einen Sweep-Effekt zu deaktivieren, tippen Sie auf die beleuchtete Sweep FX-Taste. Alternativ können Sie eine andere Sweep FX-Taste drücken, um sie zu aktivieren, wodurch der zuvor gewählte Effekt automatisch deaktiviert wird.

Dies zeigt die verfügbaren Effekte und die Art und Weise, wie jeder Effekt durch die Sweep FX-Regler gesteuert wird. Bei allen Sweep-Effekten ist die Mittelposition („12 Uhr“) des Sweep FX-Reglers die minimale Position (der Effekt wird nicht angewendet). Das Drehen im Uhrzeigersinn oder gegen den Uhrzeigersinn aus dieser Position kann zu unterschiedlichen Ergebnissen führen.

- **Dub Echo:** Dieser Effekt fügt ein kurzes Echo hinzu. Drehen Sie einen **Sweep FX-Regler** gegen den Uhrzeigersinn, um die Verzögerungszeit zu verkürzen und die Rückkopplung zu erhöhen oder drehen Sie ihn im Uhrzeigersinn, um die Länge der Verzögerung sowie die Rückkopplung zu erhöhen.
- **Noise:** Dieser Effekt fügt dem Signal ein Rauschen hinzu. Drehen Sie einen **Sweep FX-Regler** gegen den Uhrzeigersinn, um rosa Rauschen hinzuzufügen oder im Uhrzeigersinn, um weißes Rauschen hinzuzufügen.
- **Wash Out:** Dies erzeugt einen Übergangseffekt. Drehen Sie einen **Sweep FX-Regler** auf die Position ganz links (Minimalposition), um ein 1-Beat-Echo anzuwenden, das auch das normale Audiosignal des Kanals stumm schaltet oder drehen Sie ihn auf die Position ganz rechts, um ein 1/2-Beat Echo anzuwenden.
- **Gate:** Dieser Effekt wendet einen zeitbasierten Gate-Effekt auf das Signal an. Drehen Sie den **Sweep FX-Regler** gegen den Uhrzeigersinn, um einen Gate-Effekt zu verwenden, der mit dem Tempo des Kanals synchronisiert ist oder drehen Sie den Regler im Uhrzeigersinn, um dasselbe mit einem zusätzlichen Effekt zu tun.

Optionsmenü

Im Options-Menü können Sie verschiedene Einstellungen auf X1800 Prime anpassen, die das Audiosignal-Routing, das Effektmodul, die Eingangs- und Ausgangspegel und vieles mehr beeinflussen.

Um das Options-Menü aufzurufen oder zu verlassen, drücken Sie **Utility**. Beim Verlassen des Options-Menüs werden auch die vorgenommenen Änderungen gespeichert.

Im Options-Menü können Sie eine der folgenden Aktionen ausführen:

- **Um eine Option** auszuwählen, drehen Sie den **FX Select/Enter**-Regler.
- **Um Ihre Auswahl zu bestätigen oder ein Untermenü** aufzurufen, drücken Sie den **FX Select/Enter**-Regler.
- Drücken Sie **Back**, um zum vorherigen Bildschirm zu gelangen.

Nachfolgend finden Sie Beschreibungen der verschiedenen Untermenüs im Options-Menü:

EQ

Über diese Einstellungen wird festgelegt, wie die Kanal-EQ-Regler für den Kanal funktionieren.

- **Type:** Wählen Sie **ISO** aus, um die Bereiche des Kanal-EQ-Reglers auf **-∞ bis +6dB/+10dB** (wie beschriftet) einzustellen. Wählen Sie **EQ** aus, um die Bereiche des Kanal-EQ-Reglers auf **-24dB bis +6dB** (für andere Player, die diese Einstellung möglicherweise benötigen) einzustellen.
- **High Cross Over:** Dies ist die Übergangsfrequenz zwischen den High- und Mid-EQ-Reglern, wenn **Type** auf **ISO** eingestellt ist: **1000Hz–8000Hz** (in verschiedenen Schritten).
- **Low Cross Over:** Dies ist die Übergangsfrequenz zwischen den Mid und Low EQ-Reglern, wenn **Type** auf **ISO** eingestellt ist: **100Hz–800Hz** (in verschiedenen Schritten).
- **Reset EQ Default:** Wählen Sie **OK** aus, um diese Einstellungen für den Kanal-EQ auf die Standardwerte zurückzusetzen oder wählen Sie **Cancel** aus, um zum vorherigen Menü zurückzukehren.

Filter

- **Resonance:** Dies ist die Resonanz der Filter auf den Kanälen 1-4 (d.h. in welchem Maß die Frequenzen, die jenseits der Grenzfrequenz liegen, den Filter passieren können. **0** ist eine flache Einstellung (Frequenzen, die jenseits der Grenzfrequenz liegen, sind überhaupt nicht zu hören), während **15** eine hohe Resonanz ergibt (die Grenzfrequenz wird nicht so „strikt“ gehandhabt, so dass einige benachbarten Frequenzen zu hören sind).

Headphone

- **Attenuation:** Dies ist der Verstärkungspegel des Kopfhörerausgangs: **-15dB bis 0dB**.

Microphone

Diese Einstellungen wirken sich auf die Mikrofone aus.

- **Gain:** Dies ist der Verstärkungspegel der Mikrofoneingänge: **-10dB bis +10dB**.
- **Talk Over Level:** Diese Einstellung legt fest, wie weit die Lautstärke des Master-Mixes reduziert wird, wenn die Funktion Mikrofon-Talkover aktiviert wird: **-20dB bis -40dB**.
- **Talk Over Resume:** Wenn die Talkover-Funktion verwendet wird, kehrt die Lautstärke des Master-Mixes zur normalen Lautstärke zurück, wenn der Mikrofoneingang kein eingehendes Signal mehr wahrnimmt. Diese Einstellung legt fest, ob dieser Übergang moderat (**Normal**) oder schnell (**Fast**) abläuft.
- **EQ High:** Dies ist das Frequenzband, das durch den High Mic EQ-Regler beeinflusst wird: **1000Hz–4000Hz** (in verschiedenen Schritten).
- **EQ Low:** Dies ist das Frequenzband, das durch den Low Mic EQ-Regler beeinflusst wird: **500Hz–2000Hz** (in verschiedenen Schritten).
- **Booth Receive:** Wählen Sie **On** aus, um das Mikrofonsignal die Booth-Ausgänge und die Aufnahmeausgänge zu senden. Wählen Sie **Off** aus, um das Mikrofonsignal nur an die Master-Ausgänge zu senden.
- **Reset EQ Default:** Wählen Sie **OK** aus, um diese Mikrofoneinstellungen auf die Standardwerte zurückzusetzen oder wählen Sie **Cancel** aus, um zum vorherigen Menü zurückzukehren.

Advanced Audio

Diese Einstellungen bestimmen den digitalen Betrieb des Mixers sowie andere erweiterte Funktionen.

- **Sampling Rate:** Dies ist die Abtastrate des USB-Audiosignals: **44.1kHz, 48kHz** oder **96kHz**.
 - **Master Out Level:** Dies ist ein Ausgleich zum Lautstärkepegel des Master-Ausgangs: **-15dB bis 0dB**.
 - **Booth Out Level:** Dies ist ein Ausgleich zum Lautstärkepegel des Booth-Ausgangs: **-15dB bis 0dB**.
 - **USB Audio:** Diese Einstellungen legen das Routing und die Pegel des USB-Audios fest.
 - **CH1-4/Master/Cue Assign:** Diese Einstellungen legen fest, welche USB-Audio-Kanäle (1/2-9/10) das Audiosignal der Kanäle 1-4 (**CH1-CH4**), des Master-Mixes (**Master**) und des Cue-Kanals (**Cue**) empfangen werden.
 - **Output Level:** Dies ist ein Offset des Lautstärkepegels des Master-Mixes, der über eine USB-Verbindung an Ihren Computer gesendet wird: **-20dB bis +20dB**.
 - **Ch Input Level:** Dies ist ein Ausgleich zum Lautstärkepegel der Audiosignale, die über eine USB-Verbindung an Ihren Computer gesendet werden: **-20dB bis +20dB**.
 - **DVS Setup:** Für die Kanäle 1-4 (**CH1-CH4**) wählen Sie den Eingangspegel aus, den der jeweilige Kanal verwendet, wenn der Eingangswahlschalter auf **DVS** festgelegt ist. Wählen Sie **Phono** aus, um Control Vinyl-Schallplatten zu verwenden oder **Line**, um Control CDs zu verwenden.
 - **Digital Settings:**
 - **Digital Out:** Dies ist ein Ausgleich zum Lautstärkepegel des Audiosignals, das über den digitalen Ausgang gesendet wird: **-20dB bis +20dB**.
 - **Digital Link:** Wählen Sie **On** aus, um das ausgehende Signal vor dem **Master**-Regler und dem **Booth**-Regler zu summieren, mit dem Sie deren Ausgangspegel steuern können. Wählen Sie **On** aus, um das ausgehende Signal vor dem **Master**-Regler und dem **Booth**-Regler zu summieren, mit denen Sie deren Ausgangspegel steuern können.
 - **Link Level:** Dies ist ein Offset des Lautstärkepegels des Audiosignals, das an den digitalen Link-Eingang gesendet wird: **-20dB bis +20dB**.
 - **Cross Fader Cut:** Diese Einstellungen bestimmen, wie weit Sie den Crossfader von jeder Seite (**Fader Cut A** oder **B**) verschieben müssen, bis er anfängt, sich auf das Audiosignal auszuwirken: **-2.0mm bis 2.0mm**
 - **FX Edit:**
 - **FX Return:** Dies ist der Einheitspegel für die Sendeausgänge und die Empfangseingänge: **-10dB-0dB**. Sie müssen diese Einstellungen möglicherweise anpassen, je nachdem welche Arten von externen Effekten Sie verwenden.
 - **Beat Break Edit:** Mithilfe dieses Menüs können Sie die Muster für den BeatBreak-Effekt auswählen, bearbeiten und speichern. Siehe [Effekte > BPM-Effekt-Modul](#) für weitere Informationen zu der Funktionsweise dieses Effekts.
- So bearbeiten Sie ein Muster:**
1. Drehen Sie den **FX Select/Enter** -Regler, um ein Muster auszuwählen (**1-16**) und drücken Sie dann darauf.
 2. Drehen Sie den **FX Select/Enter**-Regler, um eine der 12 16tel-Noten im Muster auszuwählen. Sie können die vier Hauptbeats des Musters nicht bearbeiten, sie ertönen immer, da sie das abgetastete Audio enthalten.
Drücken Sie auf den **FX Select/Enter**-Regler, um den Beat von einem „Schlag“/„Strike“ (■) in eine „Pause“ (□) zu ändern oder umgekehrt.
Wiederholen Sie bei Bedarf diesen Schritt.
 3. Drücken Sie auf **Back**, um zum vorherigen Bildschirm zurückzukehren.

- **FX List Customize:** Verwenden Sie diesen Bildschirm zur benutzerdefinierten Anordnung der Effekte. Drehen Sie den **FX Select/Enter**-Regler, um aus der verfügbaren Liste auf der linken Seite einen Effekt auszuwählen und drücken Sie dann auf den Regler, um den Effekt der neuen Anordnung auf der rechten Seite hinzuzufügen. Wiederholen Sie diesen Schritt für jeden Effekt oder wählen Sie **-Cancel-** aus, um zum vorherigen Bildschirm zurückzukehren. Nachdem Sie dies für alle Effekte getan haben, wählen Sie **-End-** aus, um ihre benutzerdefinierte Liste zu speichern.
- **BPM FX On Color:** Diese Einstellung legt die Farbe der FX On/Off-Taste fest, wenn diese aufleuchtet: **red, spring green, green, light blue, blue, yellow, orange** oder **purple**.

System

Diese Einstellungen legen den Gesamtbetrieb fest.

- **Info:** Diese Bildschirme enthalten Informationen über die aktuelle Firmware-Version sowie Netzwerkinformationen.
 - **Version:** Dies ist die aktuelle X1800 Prime-Firmware-Version.
 - **IP Address:** Dies ist die von X1800 Prime verwendete Firmware-Adresse.
 - **MAC Address:** Dies ist die von X1800 Prime verwendete Mac-Adresse.
- **Engine Connect:** Wählen Sie **Auto** aus, damit X1800 Prime automatisch Timing- und BPM-Informationen (zur Synchronisierung des Effektempo) von mit seinen Link-Ports verbundenen SC5000 Prime-Einheiten erhalten und Track- und Benutzerprofildaten zwischen ihnen gesendet werden können. X1800 Prime erfasst und konfiguriert jeden SC5000 Prime automatisch sobald Sie deren Link-Ports miteinander verbinden. Wählen Sie **Manual** aus, um das automatische Verknüpfen zu deaktivieren und diese Funktion nur manuell zu aktivieren, indem Sie die **Engine Connect**-Taste drücken und halten, bis der Bildschirm Channel Assignment auf den SC5000 Prime-Einheiten erscheint. Sie können dann jede SC5000 Prime-Schicht frei einem bestimmten Kanal zuweisen.
- **Cue Settings:**
 - **Cue Solo Mode:** Wählen Sie **On** aus, um die Kanal-Cue-Tasten als „Solo“-Tasten (die Betätigung einer Taste sorgt für die Stummschaltung aller anderen Kanäle) zu verwenden. Wählen Sie **Off**, um sie als normale Cue-Tasten zu verwenden (die Betätigung einer Taste sendet das jeweilige Signal an den Cue-Kanal).
 - **Cue 1–4 Color:** Diese Einstellung bestimmt die Farbe der Cue-Tasten für jeden Kanal: **red, spring green, green, light blue, blue, yellow, orange** oder **purple**.
 - **Reset Cue Defaults:** Wählen Sie **OK** aus, um diese Cue-Einstellungen auf die Standardwerte zurückzusetzen oder wählen Sie **Cancel** aus, um zum vorherigen Menü zurückzukehren.
- **Network Settings:**
 - **Refresh IP Address:** Wählen Sie **OK** aus, um Ihre IP-Adresse zu erneuern, was die Verbindung zwischen Ihrem X1800 Prime und allen SC5000 Prime-Einheiten, die mit den Link-Ports verbunden sind, wiederherstellt. Wählen Sie **Cancel** aus, um zum vorherigen Bildschirm zurückzukehren.
- **MIDI:** Dies sind die MIDI-Einstellungen, die die verwendeten MIDI-Kanäle und Verbindungen festlegen.
 - **Clock Send:** Diese Einstellungen legen fest, ob X1800 Prime MIDI-Clock-Nachrichten über die einzelnen Verbindungen senden wird. Wählen Sie für jede Option **On** aus, um die Übertragung zu aktivieren oder **Off**, um sie zu deaktivieren.
 - **USB:** Dies gilt für **USB Ports 1** und **2**. Wenn Sie X1800 Prime zur Steuerung der Software verwenden, setzen Sie diese Option auf **On**.
 - **5pin:** Dies gilt für **MIDI Out**.
 - **Active Send:** Diese Einstellungen legen fest, ob X1800 Prime normale MIDI-Clock-Nachrichten über die einzelnen Verbindungen senden wird. Wählen Sie für jede Option **On** aus, um die Übertragung zu aktivieren oder **Off**, um sie zu deaktivieren.
 - **USB:** Dies gilt für **USB Ports 1** und **2**. Wenn Sie X1800 Prime zur Steuerung der Software verwenden, setzen Sie diese Option auf **On**.
 - **5pin:** Dies gilt für **MIDI Out**.
- **Factory Reset:** Wählen Sie **OK** aus, um X1800 Prime auf die werksseitigen Voreinstellungen zurückzusetzen (warten Sie nach der Auswahl einige Sekunden, bevor Sie mit dem normalen Betrieb fortfahren). Wählen Sie **Cancel** aus, um zum vorherigen Bildschirm zurückzukehren.

Appendix (English)

Technical Specifications

Dynamic Range (master)	> 117 dB (A-weighted)
Frequency Range	22–22,000 Hz (± 1 dB)
Signal-to-Noise Ratio	Line: > 93 dB (A-weighted) Phono: > 87 dB (A-weighted)
THD+N	< 0.02%
Channel Separation	< -90 dB (@ 1 KHz, unity)
Headroom	Line Inputs: > 16 dB Microphone Inputs: > 20 dB Outputs: > 20 dB
Analog Output	Master (balanced): +24 dBu (maximum), +4 dBu (unity) Master (unbalanced): +20 dBu (maximum), 0 dBu (unity) Booth: +24 dBu (maximum), +4 dBu (unity) Record: +10 dBV (maximum), -10 dBV (unity) Send: +10 dBV (maximum), -10 dBV (unity) Headphones: > 150 mW @ 40 Ω
Analog Input	Line: +15 dBV (maximum), 0 dBV (unity) Phono: -22 dBV (maximum), -40 dBV (unity) Microphone: -40 dBu (maximum), -60 dBu (minimum) Return: +15 dBV (maximum), 0 dBV (unity)
Microphone Inputs	CMRR: > 80 dB (@ 1 KHz, unity) EIN: < -124 dBu ($R_s = 150 \Omega$, DIN)
Digital Output	Sampling Rate: 44.1, 48, 96 kHz Bit Depth: 24-bit
Displays	1.6" / 39 mm (diagonal) 1.4" x 0.69" / 35 x 17 mm (width x height) (2) monochromatic LED-backlit displays
Connections	(2) XLR outputs (balanced master) (2) RCA output pairs (1 unbalanced master, 1 unbalanced record) (5) 1/4" (6.35 mm) outputs (2 booth, 2 send, 1 headphone) (1) 1/8" (3.5 mm) output (headphone) (1) coaxial digital output (audio) (1) 5-pin DIN MIDI output (8) RCA input pairs (4 line, 4 phono) (1) XLR+1/4" (6.35 mm) input (Mic 1) (3) 1/4" (6.35 mm) inputs (2 receive, 1 Mic 2) (5) RCA digital inputs (4 audio, 1 link) (5) Ethernet link ports (1) IEC power inlet
Power	Connection: IEC Input Voltage: 100–240 V~, 50/60 Hz Consumption: 65 W
Dimensions (width x depth x height)	12.2" x 17.5" x 4.3" / 31.1 x 44.5 x 11.0 cm
Weight	15.43 lbs. / 7.00 kg

Specifications are subject to change without notice.

Trademarks & Licenses

Denon is a trademark of D&M Holdings Inc., registered in the U.S. and other countries. Denon DJ products are produced by inMusic Brands, Inc., Cumberland, RI 02864, USA. SD and SDHC are registered trademarks of SD-3C, LLC. All other product names, company names, trademarks, or trade names are those of their respective owners.

DENONDJ.COM