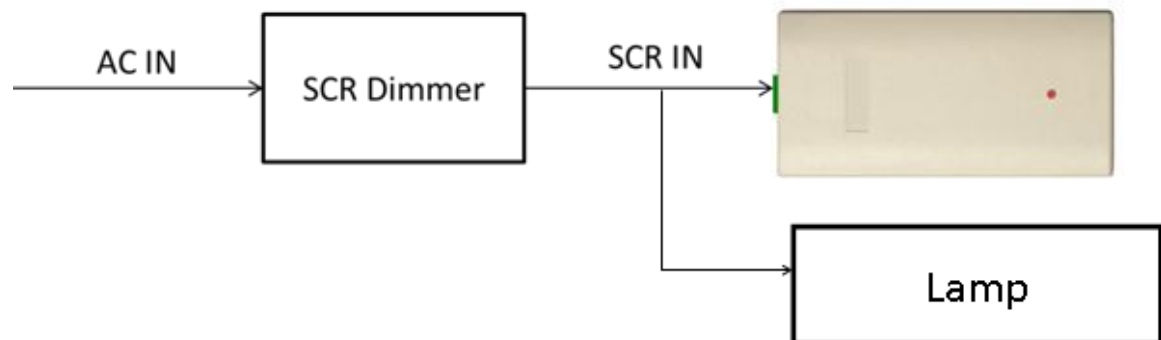


**Anti-Flicker Module II****Specifications**

- ✧ Power: AC 100or AC220V
- ✧ Dimension: 60(W) x 30(H) x 130(D) mm
- ✧ Weight: 100g

**Wiring:****Lite-Puter** LITE PUTER ENTERPRISE CO., LTD11F. No. 189, Gangqian Road,  
Neihu Dist., Taipei City, 11494, TaiwanWebsite: [www.liteputer.com.tw](http://www.liteputer.com.tw)E-mail: [sales@liteputer.com.tw](mailto:sales@liteputer.com.tw)

TEL: +886-2-27998099 FAX: +886-2-27993828