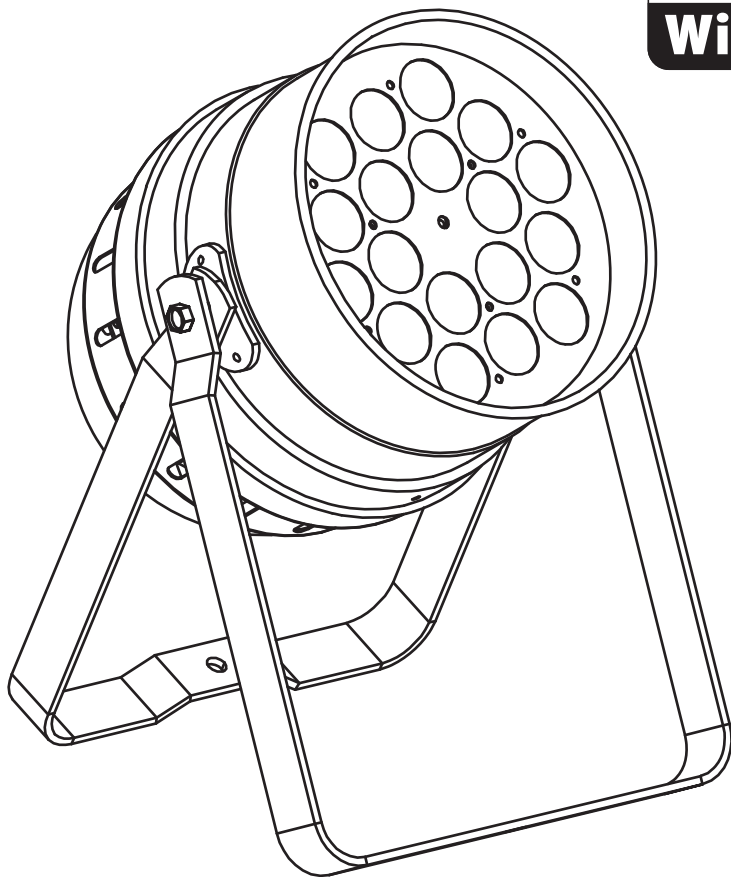


18X12W SIX-IN-ONE LEDS (RVBWA+UV) PAR PROJECTOR WITH INFRARED REMOTE CONTROL
AND WIRELESS DMX



irLED64

18x12SIXsb-Air

1 - Safety information

Important safety information



This unit is intended for indoor use only. Do not use it in a wet, or extremely cold/hot locations. Failure to follow these safety instructions could result in fire, electric shock, injury, or damage to this product or other property.



Any maintenance procedure must be performed by a CONTEST authorised technical service. Basic cleaning operations must thoroughly follow our safety instructions.



This product contains non-isolated electrical components. Do not undertake any maintenance operation when it is switched on as it may result in electric shock.

Symbols used



This symbol signals an important safety precaution.



The WARNING symbol signals a risk to the user's physical integrity. The product may also be damaged.



The CAUTION symbol signals a risk of product deterioration.

Instructions and recommendations

1 - Please read carefully :

We strongly recommend to read carefully and understand the safety instructions before attempting to operate this unit.

2 - Please keep this manual :

We strongly recommend to keep this manual with the unit for future reference.

3 - Operate carefully this product :

We strongly recommend to take into consideration every safety instruction.

4 - Follow the instructions:

Please carefully follow each safety instruction to avoid any physical harm or property damage.

5 - Avoid water and wet locations :

Do not use this product in rain, or near washbasins or other wet locations.

6 - Installation :

We strongly encourage you to only use a fixation system or support recommended by the manufacturer or supplied with this product. Carefully follow the installation instructions and use the adequate tools.

Always ensure this unit is firmly fixed to avoid vibration and slipping while operating as it may result in physical injury.

7 - Ceiling or wall installation :

Please contact your local dealer before attempting any ceiling or wall installation.

8 - Ventilation :

The cooling vents ensure a safe use of this product, and avoid any overheating risk. Do not obstruct or cover these vents as it may result in overheating and potential physical injury or product damage. This product should never be operated in a closed non-ventilated area such as a flight case or a rack, unless cooling vents are provided for the purpose.

WARNING : This unit contains no user-serviceable parts. Do not open the housing or attempt any maintenance by yourself. In the unlikely even your unit may require service, please contact your nearest dealer.



CAUTION
RISK OF ELECTRIC SHOCK
DO NOT OPEN



In order to avoid any electrical malfunction, please do not use any multi-socket, power cord extension or connecting system without making sure they are perfectly isolated and present no defect.



Warning

This product is equipped with Class 2 LEDs. Please avoid looking directly at the beam as it may cause severe eye injuries.

Recycling your device



- As HITMUSIC is really involved in the environmental cause, we only commercialise clean, ROHS compliant products.
- When this product reaches its end of life, take it to a collection point designated by local authorities. The separate collection and recycling of your product at the time of disposal will help conserve natural resources and ensure that it is recycled in a manner that protects human health and the environment.

9 - Heat exposure :

Sustained contact or proximity with warm surfaces may cause overheating and product damages. Please keep this product away from any heat source such as a heaters, amplifiers, hot plates, etc...

10 - Electric power supply :

This product can only be operated according to a very specific voltage. These information are specified on the label located at the rear of the product.

11 - Power cords protection:

Power-supply cords should be routed so that they are not likely to be walked on or pinched by items placed upon or against them, paying particular attention to cords at lugs, convenience receptacles and the point where they exit from the fixture.

12 - Cleaning precautions :

Unplug the product before attempting any cleaning operation. This product should be cleaned only with accessories recommended by the manufacturer. Use a damp cloth to clean the surface. Do not wash this product.

13 - Long periods of non use :

Disconnect the unit's main power during long periods of non use.

14 - Liquids or objects penetration :

Do not let any object penetrate this product as it may result in electric shock or fire. Never spill any liquid on this product as it may infiltrate the electronic components and result in electric shock or fire.

15 - This product should be serviced when :

Please contact the qualified service personnel if :

- The power cord or the plug has been damaged.
- Objects have fallen or liquid has been spilled into the appliance.
- The appliance has been exposed to rain or water.
- The product does not appear to operate normally.
- The product has been damaged.

16 - Inspection/maintenance :

Please do not attempt any inspection or maintenance by yourself. Refer all servicing to qualified personnel.

17 - Operating environment :

Ambient temperature and humidity: +5 - +35°C, relative humidity must be less than 85% (when cooling vents are not obstructed). Do not operate this product in a non-ventilated, very humid or warm place.

2 - Introduction

Long range wireless DMX transmitter and receiver. Air-Box and AirLED compatible.

These projectors are equipped with 18 super-powerful RGBWA+UV LEDs with high-performance individual lenses. In addition to primary colours (such as blue, red, green...) the white shades and Amber create warm and brightful colours. On top of that, UV light is used to enhance white shades, turning them into an intense phosphorescent white. And when UV light is added to stronger colours it emphasizes their contrast, deepens their shade and you obtain a whole new palette of exclusive colours.

The irLED64-18x12SIX are supplied with an infrared remote control to access colour control, built-in programs, DMX settings and a lot more.

They also have a new double mounting bracket revolutionising ground handling. Thanks to the automatic abutment point, tightening the projector is independent from the mounting bracket blocking. You can now manipulate and adjust the projectors with an optimal stability.

3 - Technical specifications

• Their strengths:

- Six-in-one LEDs
- Brightness
- Natural colours and light, exclusive UV shades
- Wireless airDMX transmitter and receiver integrated
- Manual, music-sensitive and DMX modes, customisable user programs.
- 6-colour remote control supplied
- Infrared sensor (front)
- Power input/output

• Functions:

- AirDMX :
 - Wireless air DMX transmitter en receiver
 - 100 m average range in open area
 - 2.4 GHz frequency band
 - AirBox-ER1 compatible
- Built-in command panel with digital drop-down display for :
 - DMX addressing
 - Choosing the number of channels: 2 - 9
 - Choosing the built-in programs
 - Choosing the preset colours
 - Master/Slave mode
 - Music-sensitive mode and choosing the mic sensitivity
 - Edit and play your own 20-step program
 - General dimmer to adjust the brightness of the fixed colours, macros and user program
 - Infrared remote control giving you access to every remote function

• Optical:

- 18x12W Six-in-one LEDs (RGBWA+UV) - 30,000 hours (average)
- Beamwidth : 40°

• Connectors:

- DMX IN and OUT via 3-pin XLR,
- POWER IN/OUT via an IEC socket

• Power supply: 110/240 V 50/60 Hz

• Power consumption: 240 W

• Finish: Black

• Dimensions: 340 x 270 x 220 mm

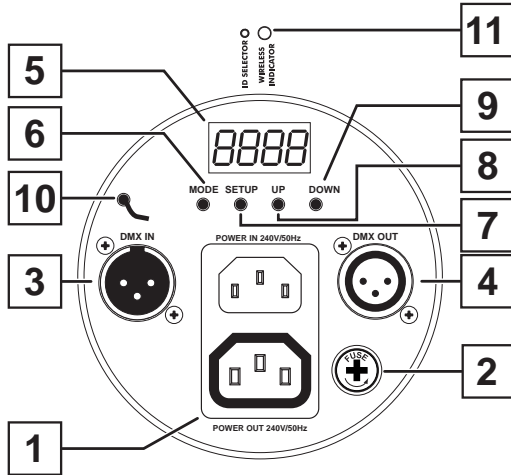
• Weight: 5.4 kg

• Package contents:

The package must contain the following products :

- A projector
- A user guide
- A double mounting bracket
- An infrared remote control
- A 2-pole + earth power cord

4 - Description



1 Power input/output socket

Allows you to connect the projector to an electrical outlet and to link several projectors together via a Male/Female IEC cord. Please make sure the voltage is in adequation with the product indications.

Caution : Do NOT go over 700W on the same power source.

2 Fuse

If need to replace the fuse, please make sure the new fuse has exactly the same characteristics as the original one.

3 DMX input

3-pin female XLR plug hardwired as follows :

- Mass: 1
- Negative signal: 2
- Positive signal: 3

4 DMX output

3-pin male XLR plug hardwired as follows :

- Mass: 1
- Negative signal: 2
- Positive signal: 3

5 Display

This intuitive display allows you to configure your projector. Please refer to the next paragraphs for more details about the projector configuration.

6 MODE button

Allows you to access menus and select a function.

7 SETUP button

Allows you to configure the parameters of the functions chosen with the MODE button.

8 UP button

Press UP to increase the adjustable values or browse the sub-menus.

9 Touche DOWN

Press DOWN to decrease the adjustable values or browse the sub-menus.

10 Wifi antenna

The antenna can be oriented to get better range

11 Wireless DMX module

The button allows to select the WIFI channel. 7 channels are available. The LED WIRELESS INDICATOR has a different colour for each channel. Refer to paragraph 5 for more details.

5 - Installation

The WiFi transmission system allows you to synchronise several units without using any DMX cable. You can synchronise several units by using the master/slave mode or like any regular DMX daisy-chaining installation. The units must use the same communication channel to be synchronised. To do so, use the ID SELECTOR button and choose one of the 7 available channels. The LED WIRELESS INDICATOR will light on with a different colour for each channel.

You will find below the channels and their corresponding colour:

Channel 1	Channel 2	Channel 3	Channel 4	Channel 5	Channel 6	Channel 7
Red	Green	Yellow	Blue	Purple	Cyan	White

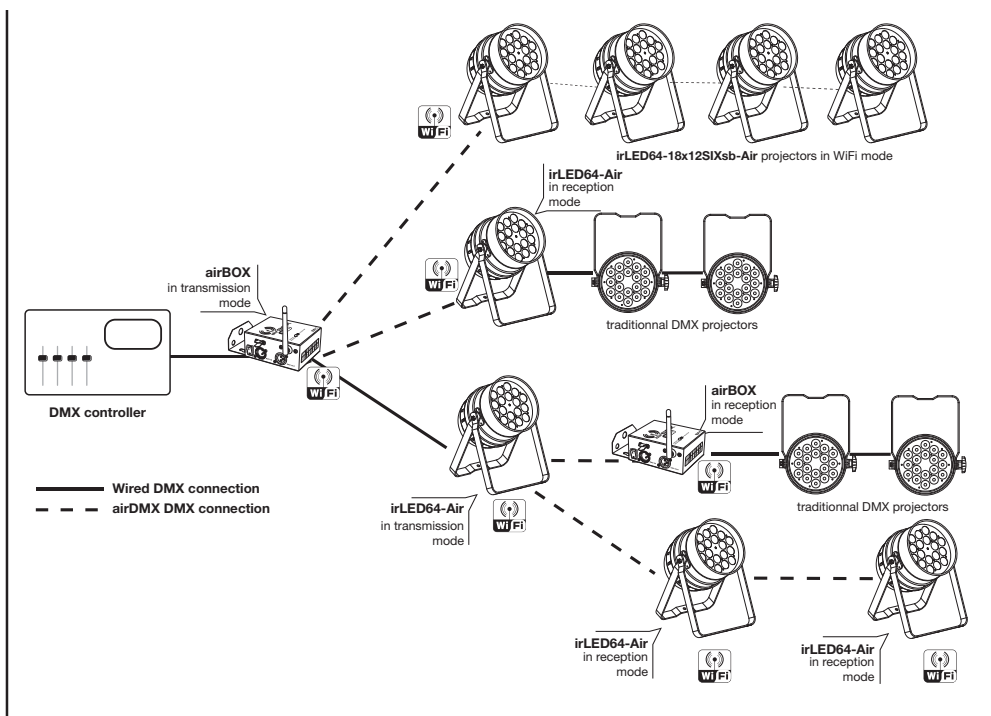
The LED WIRELESS INDICATOR has 3 different status when the units are communicating:

- 1 - LED constantly on : No DMX or WiFi signal.
- 2 - LED flashing in red : The projector is currently transmitting a signal.
- 3 - LED flashing in green : The projector is currently receiving a signal.

Note : The unit transmitting a DMX signal is in transmission mode.

5.2 - Operating principle

The figure below describes an installation combining wireless systems with regular projectors.



Note : The airBOX is transmitter receiver box using the same technology as the irLED64-Air.

6 - Menus and functions

Access the internal menu by pressing MODE.

To access a submenu, press MODE again.

Press SETUP to configure the selected function.

Simultaneously press MODE and UP if you want the display to stay lit all the time.

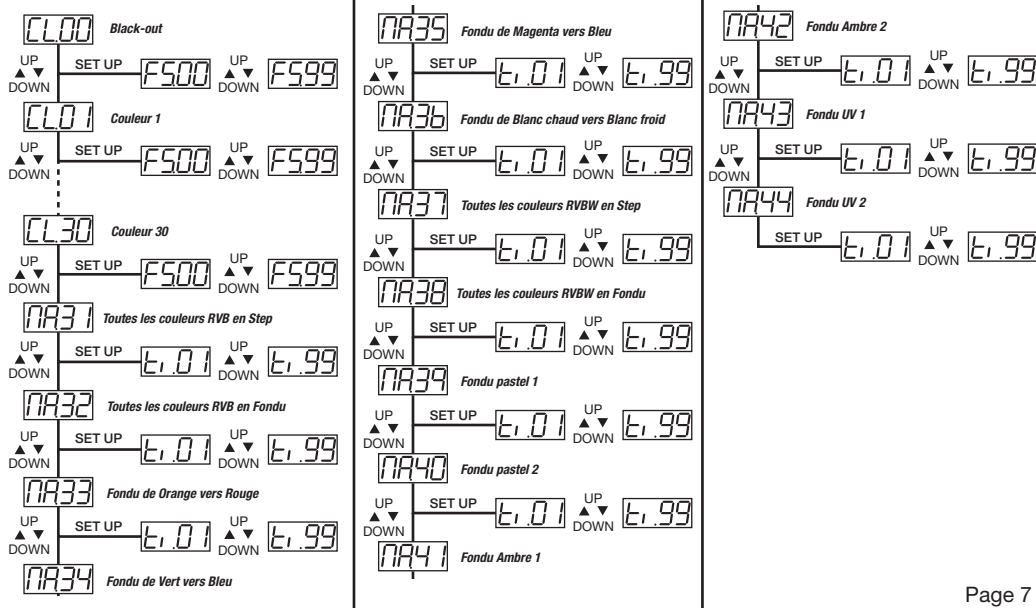
If you want the display to lit off when the menu remains inactive for more than 20 seconds, press simultaneously MODE and DOWN.

The irLED64SIX projectors feature several DMX modes to be fully compatible with different remote controls and projectors. Use the MODE button to choose a DMX mode. They are listed in the table below.

Mode	SETUP	UP and DOWN	Action
DMX modes			6 channels : RVBWA Dimmers
			7 channels : RVBWAU Dimmers / Main dimmer and strobe
			8 channels : RVBWAU Dimmers / Dimmer / Strobe
			2 channels : Macros and fixed colours / Dimmer, Speed and Sound
			9 channels : RVBWAU Dimmers / Dimmer, Speed and Sound / Strobe
			4 channels : RVB Dimmers / Main dimmer and Strobe
			5 channels : RVBW Dimmers / Main dimmer and Strobe
	Address		DMX addressing
Fixed colours and programs	Colours		Black-out, Colours 1 to 30 and 14 macros
	Strobe		Strobe speed : FS.00 = No strobe ; FS.99 = Full speed
	Speed		Macros speed
General Dimmer			This Dimmer concerns COLOR, MACROS, DIMMERS RVBWAUV and USER modes. This dimmer is deactivated in DMX mode. The default value is 100%
RVBWAU Dimmers			Red: 0 - 100%
			Green: 0 - 100%
			Blue: 0 - 100%
			White: 0 - 100%
			Amber: 0 - 100%
			Ultra-violet: 0 - 100%
			Strobe speed : FS.00 = No strobe ; FS.99 = Full speed
Automatic mode			Auto mode speed
Music-sensitive mode			Mic sensitivity settings : SU.00 = min. sensitivity ; SU.31 = max. sensitivity
Slave mode			Activates the Slave mode

User program	USER	PLAY STOP	Starts the user program
		E.01 E.99	Allows you to set the duration of the user program
		Fd00 Fd99	Configures the fade out time of every step of the program
		F500 F599	Allows you to set the flash rate of every step of the program
		d000 d255	Allows you to configure the max output (dimmer) of every step of the program
User program edition	Edit	SC01 SC20	Allows you to configure the number of steps of your user program. 20 steps max.
		SE01 SE20	Selects the steps you want to create/modify
		r000 r255	Red level settings for the selected step
		G000 G255	Green level settings for the selected step
		b000 b255	Blue level settings for the selected step
		h000 h255	White level settings for the selected step
		A000 A255	Amber level settings for the selected step
		U000 U255	UV level settings for the selected step
Infrared remote control and WiFi mode	rCon rCoF	Poon PooF	Activates or deactivates the use of an infrared remote control to control the projector. After pressing ON SETUP activates or deactivates the WiFi mode: Poon the WiFi mode is ON ; PooF the WiFi mode is OFF

More details about the fixed colours and sequences menu



7 - The various DMX modes

7.1 - 6-channel mode = RVBWAUV = CHAB

	DMX values	Effects
CHANNEL 1	000 - 255	Red from 0 - 100%
CHANNEL 2	000 - 255	Green from 0 - 100%
CHANNEL 3	000 - 255	Blue from 0 - 100%
CHANNEL 4	000 - 255	White from 0 - 100%
CHANNEL 5	000 - 255	Amber from 0 - 100%
CHANNEL 6	000 - 255	UV from 0 - 100%

7.2 - 7-channel mode = RVBWAUV / Main dimmer and Strobe = Chb

	DMX values	Effects
CHANNEL 1	000 - 255	Red from 0 - 100%
CHANNEL 2	000 - 255	Green from 0 - 100%
CHANNEL 3	000 - 255	Blue from 0 - 100%
CHANNEL 4	000 - 255	White from 0 - 100%
CHANNEL 5	000 - 255	Ambre de 0 à 100%
CHANNEL 6	000 - 255	UV from 0 - 100%
CHANNEL 7	000 - 189	Main dimmer from 0 - 100%
	190 - 250	Slow to fast strobe
	251 - 255	Full power

7.3 - 8-channel mode = RVBWAUV / Dimmer / Strobe = ChCB

	DMX values	Effects
CHANNEL 1	000 - 255	Red from 0 - 100%
CHANNEL 2	000 - 255	Green from 0 - 100%
CHANNEL 3	000 - 255	Blue from 0 - 100%
CHANNEL 4	000 - 255	White from 0 - 100%
CHANNEL 5	000 - 255	Ambre de 0 à 100%
CHANNEL 6	000 - 255	UV from 0 - 100%
CHANNEL 7	000 - 255	Main dimmer from 0 - 100%
CHANNEL 8	000 - 255	Slow to fast strobe

7.4 - 2-channel mode : Fixed colours, Macros / Dimmer, Speed and Sound = Chd2

CHANNEL 1		CHANNEL 2	
000 - 005	Off		
006 - 010	Red		
011 - 015	Orange		
016 - 020	Yellow		
021 - 025	Green		
026 - 030	Cyan		
031 - 035	Blue		
036 - 040	Pink		
041 - 045	Magenta		
046 - 050	Cold White		
051 - 055	Warm White		
056 - 060	Full White		
061 - 065	Light Pink		
066 - 070	Light Apricot		
071 - 075	Light Ocre		
076 - 080	Green Pearl		
081 - 085	Grey Pearl		
086 - 090	Green Veronese		
091 - 095	Blue Lagon		
096 - 100	Sky Blue		
101 - 105	Light Blue		
106 - 110	Cerulean Blue		
111 - 115	Fluo		
116 - 120	Candy		
121 - 125	Amber		
126 - 130	Sunset		
131 - 135	Ultra violet		
136 - 140	Ultra Green		
141 - 145	Ultra blue		
146 - 150	Ultra Pink		
151 - 155	Ultra Light		
156 - 160	Macro 1	000 - 255	Dimmer : 0 - 100%
161 - 165	Macro 2		
166 - 170	Macro 3		
171 - 175	Macro 4		
176 - 180	Macro 5		
181 - 185	Macro 6		
186 - 190	Macro 7		
191 - 195	Macro 8		
196 - 200	Macro 9		
201 - 205	Macro 10		
206 - 210	Macro 11		
211 - 215	Macro 12		
216 - 220	Macro 13		
221 - 225	Macro 14		
226 - 233	Music-sensitive Macro 1 (colour sequencing)	000 - 255	Macros speed 0 to 100%
234 - 241	Music-sensitive Macro 7 (colour sequencing)		
242 - 249	Music-sensitive Macro 11 (colour sequencing)		
250 - 255	Music-sensitive Macro 14 (colour sequencing)		
		000 - 255	Mic sensitivity

7.5 - 9-channel mode = RGBWA Dimmers+UV/Fixed colours,Macros/Dimmer,Speed, Sound/Strobe = 

CHANNEL 9		CH 8	CH7		CH6	CH5	CH4	CH3	CH2	CH1									
000 - 005	Off		if CH 9 > 5	if CH 9 > 5	UV (000 - 255)	Amber (000 - 255)	White (000 - 255)	Blue (000 - 255)	Green (000 - 255)	Red (000 - 255)									
006 - 010	Red	000 - 255 : strobe speed	000 - 255 = Dimmer : 0 - 100%	Dimmer : 0 - 100%	No function	No function	No function	No function	No function	No function									
011 - 015	Orange																		
016 - 020	Yellow																		
021 - 025	Green																		
026 - 030	Cyan																		
031 - 035	Blue																		
036 - 040	Pink																		
041 - 045	Magenta																		
046 - 050	Cold White RGBW																		
051 - 055	Warm White RGB																		
056 - 060	Full White RGBW																		
061 - 065	Light Pink																		
066 - 070	Light Apricot																		
071 - 075	Light Ocre																		
076 - 080	Green Pearl																		
081 - 085	Grey Pearl																		
086 - 090	Green Veronese																		
091 - 095	Blue Lagon																		
096 - 100	Sky Blue																		
101 - 105	Light Blue																		
106 - 110	Cerulean Blue																		
111 - 115	Fluo																		
116 - 120	Candy																		
121 - 125	Amber																		
126 - 130	Sunset																		
131 - 135	Ultra violet																		
136 - 140	Ultra Green																		
141 - 145	Ultra blue																		
146 - 150	Ultra Pink																		
151 - 155	Ultra Light																		
156 - 160	Macro 1										000 - 255 = macros speed 0 - 100%								
161 - 165	Macro 2																		
166 - 170	Macro 3																		
171 - 175	Macro 4																		
176 - 180	Macro 5																		
181 - 185	Macro 6																		
186 - 190	Macro 7																		
191 - 195	Macro 8																		
196 - 200	Macro 9																		
201 - 205	Macro 10																		
206 - 210	Macro 11																		
211 - 215	Macro 12																		
216 - 220	Macro 13																		
221 - 225	Macro 14																		
226 - 233	Music-sensitive Macro 1	000 - 255 = mic sensibility																	
234 - 241	Music-sensitive Macro 2																		
242 - 249	Music-sensitive Macro 3																		
250 - 255	Music-sensitive Macro 4																		

7.6 - 4-channel mode = RGB (compatible with pure RGB) = CHFY

	Values	Effects
CHANNEL 1	000 - 255	Red from 0 - 100%
CHANNEL 2	000 - 255	Green from 0 - 100%
CHANNEL 3	000 - 255	Blue from 0 - 100%
CHANNEL 4	000 - 189	Main dimmer from 0 - 100%
	190 - 250	Slow to fast strobe
	251 - 255	Full power

7.7 - 5-channel mode = RGB + W (Pure RGB compatible, with White on the last channel) = CHWS

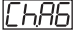

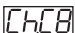

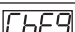
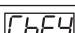
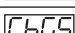
	Values	Effects
CHANNEL 1	000 - 255	Red from 0 - 100%
CHANNEL 2	000 - 255	Green from 0 - 100%
CHANNEL 3	000 - 255	Blue from 0 - 100%
CHANNEL 4	000 - 189	Main dimmer from 0 - 100%
	190 - 250	Slow to fast strobe
	251 - 255	Full power
CHANNEL 5	000 - 255	White from 0 - 100%

8 - Infrared remote control

Button	Action	
BlackOut	Projector OFF	
Select Prog	Gives you access to the 30 static colours, and to macros. Use the number keys 0 to 9, then use the + and - keys.	
FLASH / SPEED	The action of this key depends on the mode of the projector : - If the projector is using a macro or is in auto mode, this key acts on the speed. Use the + and - keys to configure the speed. - If the projector is in manual mode or uses a static colour, this button acts on the strobe. Use the + and - buttons to configure the strobe speed.	
SLAVE / AUTO / SOUND	1 - First pressure: Activates the slave mode (The red LEDs are flashing). 2 - Second pressure: Activates the autom ode The green LEDs are flashing). The projector starts a 1-14 macro sequence. Use the FLASH/SPEED button and the + and - buttons to configure the speed. 3 - Third pressure: Activates the music-sensitive mode (Blue LEDs flashing). Use the + and - buttons to configure the mic sensitivity.	
DMX MODE	Allows you to choose a DMX mode. Use the + and - buttons to switch from one mode to another.	
SET ADDR	Allows you to configure the DMX address of the projector. For instance, to configure the address 245 : - Press SET ADDR, all the LEDs are flashing to indicate the process beginning. - Press 2, the green LEDs of your projectors lit up to indicate the hundreds digit has been saved. - Press 4, the blue LEDs of your projector lit up to indicate the tenths digit has been saved. - Then press 5. All the LEDs will flash to confirm you the address has been saved properly.	
RGBWAU	These buttons allow you to manually configure the value of each colour. Select a colour with one of these buttons, then press the + and - buttons to change their level.	
NOTE : The display will indicate the projector status for each action via the remote control.		

When changing of DMX mode via the DMX MODE button or with the projectors menu buttons, the LEDs will lit in a different colour for each DMX mode.

The following table indicates the relations between colours and DMX modes.

LED ON	DMX mode
Red	 6 channels
Green	 7 channels
Blue	 8 channels
White	 2 channels
Red and Blue	 9 channels
Red and Amber	 4 channels
Red and Green	 5 channels

Because CONTEST® takes the utmost care in its products to make sure you only get the best possible quality, our products are subjects to modifications without prior notice. That is why technical specifications and the products physical configuration might differ from the illustrations.

Make sure you get the latest news and updates about the CONTEST® products on www.contest-lighting.com
CONTEST® is a trademark of HITMUSIC S.A. - Zone Cahors sud - 46230 FONTANES - FRANCE