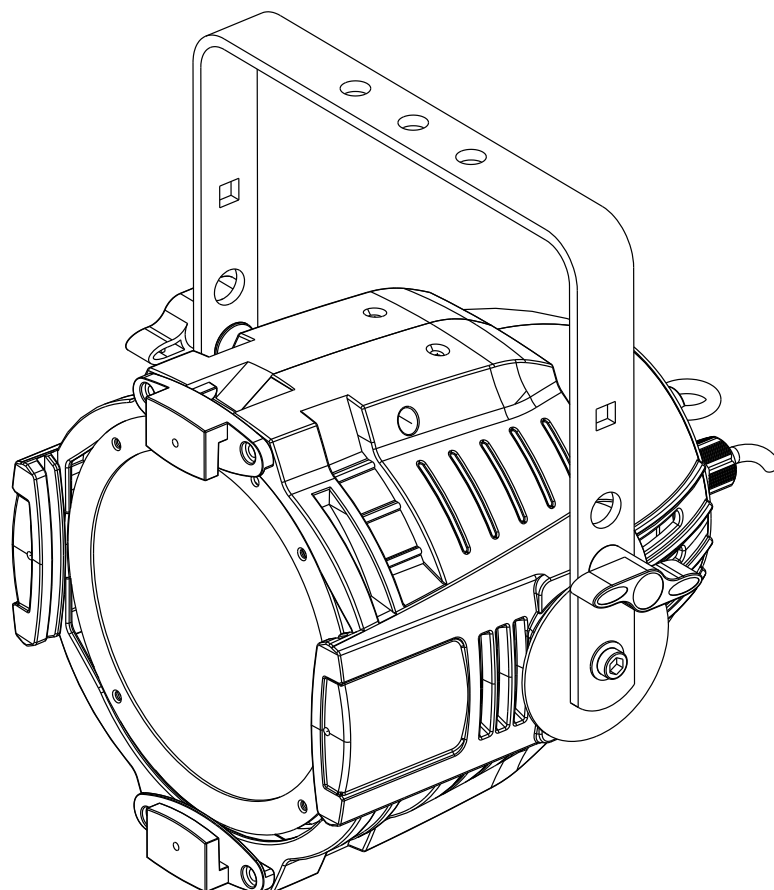


LED UV-GUN 100W



ENGLISH Operation Manual

Other languages can be downloaded from:
WWW.BRITEQ-LIGHTING.COM



Version: 1.0





EN - DISPOSAL OF THE DEVICE

Dispose of the unit and used batteries in an environment friendly manner according to your country regulations.

FR - DÉCLASSER L'APPAREIL

Débarrassez-vous de l'appareil et des piles usagées de manière écologique conformément aux dispositions légales de votre pays.

NL - VERWIJDEREN VAN HET APPARAAT

Verwijder het toestel en de gebruikte batterijen op een milieuvriendelijke manier conform de in uw land geldende voorschriften.

DU - ENTSORGUNG DES GERÄTS

Entsorgen Sie das Gerät und die Batterien auf umweltfreundliche Art und Weise gemäß den Vorschriften Ihres Landes.

ES - DESHACERSE DEL APARATO

Reciclar el aparato y pilas usadas de forma ecologica conforme a las disposiciones legales de su país.

PT - COMO DESFAZER-SE DA UNIDADE

Tente reciclar a unidade e as pilhas usadas respeitando o ambiente e em conformidade com as normas vigentes no seu país.

OPERATION MANUAL

Thank you for buying this BRITEQ® product. To take full advantage of all possibilities and for your own safety, please read these operating instructions very carefully before you start using this unit.

FEATURES

- A reliable 100Watt "COB" LED-based black light with more output than the traditional UV400 Black light and with many advantages!
- DMX control via 1 or 2 channels: dimming + strobe channel
- Can be dimmed from 0% to 100%
- Sound activated mode with internal mic.
- Variable Strobe
- Master/slave mode for bigger venues
- Extruded black aluminium housing with strong bracket
- No fragile, easy breakable lamps: perfect for hiring companies!
- Optional IR-remote control for easy operation!

BEFORE USE

- Before you start using this unit, please check if there's no transportation damage. Should there be any, do not use the device and consult your dealer first.
- **Important:** This device left our factory in perfect condition and well packaged. It is absolutely necessary for the user to strictly follow the safety instructions and warnings in this user manual. Any damage caused by mishandling is not subject to warranty. The dealer will not accept responsibility for any resulting defects or problems caused by disregarding this user manual.
- Keep this booklet in a safe place for future consultation. If you sell the fixture, be sure to add this user manual.

Check the contents:

Check that the packing contains the following items:

- Operating instructions
- LED UV-GUN 100W

SAFETY INSTRUCTIONS:



CAUTION
RISK OF ELECTRIC SHOCK
DO NOT OPEN



CAUTION: To reduce the risk of electric shock, do not remove the top cover. No user-serviceable parts inside. Refer servicing to qualified service personnel only.



The lightning flash with arrowhead symbol within the equilateral triangle is intended to alert the user or the presence of un-insulated "dangerous voltage" within the product's enclosure that may be of sufficient magnitude to constitute a risk of electric shock.



The exclamation point within the equilateral triangle is intended to alert the user to the presence of important operation and maintenance (servicing) instructions in the literature accompanying this appliance.



This symbol means: indoor use only



This symbol means: Read instructions



This symbol means: Safety Class I appliance.



This symbol determines: the minimum distance from lighted objects. The minimum distance between light-output and the illuminated surface must be more than 0.1 meter



The device is not suitable for direct mounting on normally flammable surfaces. (suitable only for mounting on non-combustible surfaces)



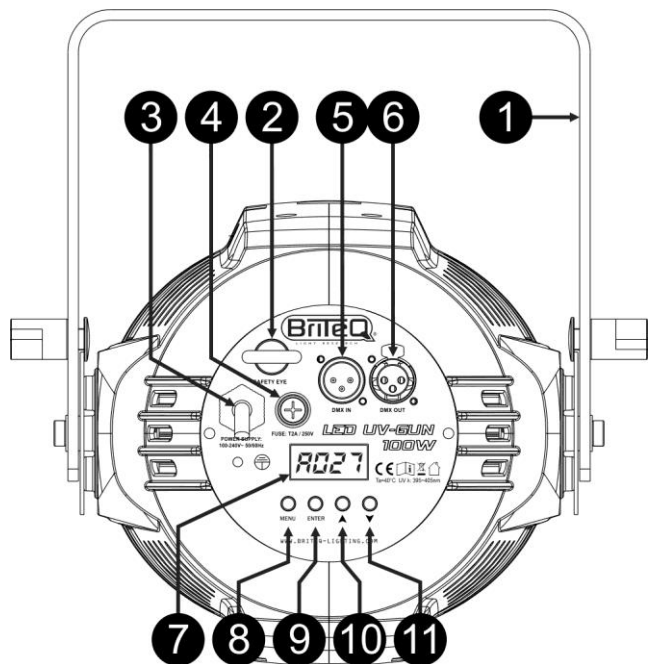
CAUTION: Do not stare at operating lamp.
May be harmful to the eyes.

- To protect the environment, please try to recycle the packing material as much as possible.
- To prevent fire or shock hazard, do not expose this appliance to rain or moisture.
- To avoid condensation to be formed inside, allow the unit to adapt to the surrounding temperatures when bringing it into a warm room after transport. Condense sometimes prevents the unit from working at full performance or may even cause damages.
- This unit is for indoor use only.
- Don't place metal objects or spill liquid inside the unit. Electric shock or malfunction may result. If a foreign object enters the unit, immediately disconnect the mains power.
- Locate the fixture in a well ventilated spot, away from any flammable materials and/or liquids. The fixture must be fixed at least 50cm from surrounding walls.
- Don't cover any ventilation openings as this may result in overheating.
- Prevent use in dusty environments and clean the unit regularly.
- Keep the unit away from children.
- Inexperienced persons should not operate this device.
- Maximum safe ambient temperature is 40°C. Don't use this unit at higher ambient temperatures.
- Make sure the area below the installation place is free from unwanted persons during rigging, de-rigging and servicing.
- Allow the device about 10 minutes to cool down before to start servicing.
- Always unplug the unit when it is not used for a longer time or before to start servicing.
- The electrical installation should be carried out by qualified personal only, according to the regulations for electrical and mechanical safety in your country.
- Check that the available voltage is not higher than the one stated on the unit.
- The power cord should always be in perfect condition. Switch the unit immediately off when the power cord is squashed or damaged. It must be replaced by the manufacturer, its service agent or similarly qualified persons in order to avoid a hazard.
- Never let the power-cord come into contact with other cables!
- This fixture must be earthed in order to comply with safety regulations.
- Don't connect the unit to any dimmer pack.
- Always use an appropriate and certified safety cable when installing the unit.
- In order to prevent electric shock, do not open the cover. There are no user serviceable parts inside.
- **Never** repair a fuse or bypass the fuse holder. **Always** replace a damaged fuse with a fuse of the same type and electrical specifications!
- In the event of serious operating problems, stop using the fixture and contact your dealer immediately.
- The housing and the lenses must be replaced if they are visibly damaged.
- Please use the original packing when the device is to be transported.
- Due to safety reasons it is prohibited to make unauthorized modifications to the unit.

Important: Never look directly into the light source! Don't use the effect in the presence of persons suffering from epilepsy.

DESCRIPTION:

1. **BRACKET:** with knobs on both sides to fasten the unit and a mounting hole to fix a mounting hook.
2. **SAFETY EYE:** used to attach a safety cable when the unit is rigged, see paragraph "overhead rigging"
3. **Mains input:** equipped with a 1m mains cable.
4. **Fuse holder:** always replace a damaged fuse with a fuse of the same type and electrical specifications!
5. **DMX IN:** used to daisy chain the projector with other units that will be controlled by a DMX-controller. The DMX-input is also used to update the firmware of the projector, see the upgrade instructions on our website.
6. **DMX OUT:** used to daisy chain the projector with other units that will be controlled by a DMX-controller.
7. **DISPLAY:** shows the various menus and the selected functions. (turns off automatically)
8. **MENU-button:** used to browse the different menu options or to exit a menu option.
9. **ENTER-button:** used to select a menu option or confirm a setting.
10. **▲-button:** used to go to the previous menu option or to increase a parameter value.
11. **▼-button:** used to go to the next menu option or to decrease a parameter value.



OVERHEAD RIGGING

- **Important:** The installation must be carried out by qualified service personal only. Improper installation can result in serious injuries and/or damage to property. Overhead rigging requires extensive experience! Working load limits should be respected, certified installation materials should be used, the installed device should be inspected regularly for safety.
- Make sure the area below the installation place is free from unwanted persons during rigging, de-rigging and servicing.
- The device should be installed out of reach of people and outside areas where persons may walk by or be seated.
- Before rigging make sure that the installation area can hold a minimum point load of 10times the device's weight.
- Always use a certified safety cable that can hold 12times the weight of the device when installing the unit. This secondary safety attachment should be installed in a way that no part of the installation can drop more than 20cm if the main attachment fails.
- The device should be well fixed; a free-swinging mounting is dangerous and may not be considered!
- Don't cover any ventilation openings as this may result in overheating.
- The operator has to make sure that the safety-relating and machine-technical installations are approved by an expert before using them for the first time. The installations should be inspected every year by a skilled person to be sure that safety is still optimal.

ELECTRICAL INSTALLATION

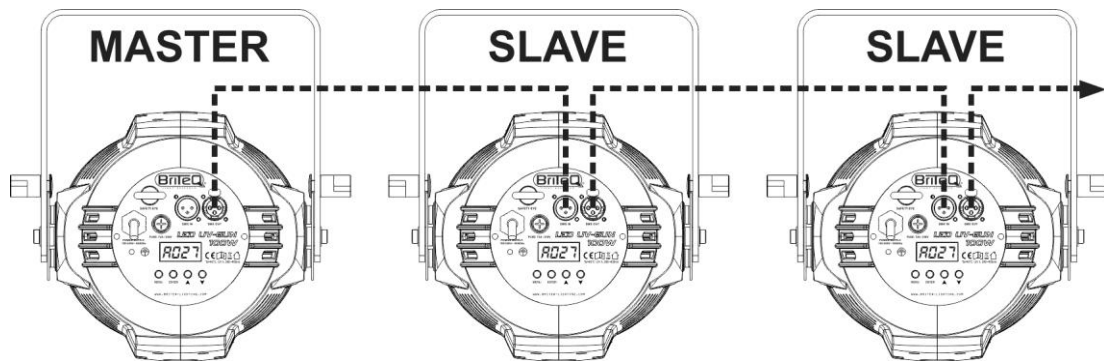
⚠ Important: The electrical installation should be carried out by qualified personal only, according to the regulations for electrical and mechanical safety in your country.

Electrical installation for 1 standalone unit:

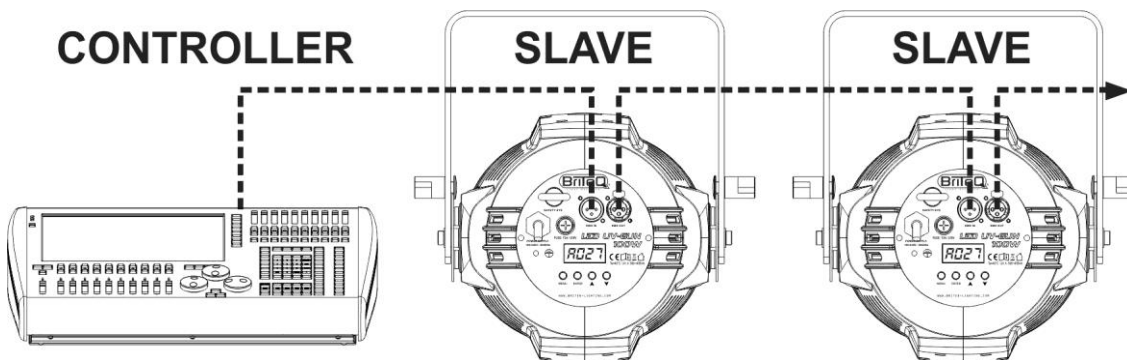
- Insert the mains cable.
- Refer to chapter HOW TO SETUP to learn how to select the **Dimm** or **Sound** working modes.

Electrical installation for two or more units in master/slave:

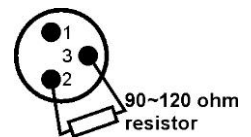
- Connect the units together using good quality balanced DMX-cables. The unit that has no cable connected to its DMX-input is the “master”, the others are the slave units (set slaves to **SLAVE**).
- Make sure that all units are connected to the mains.
- Refer to chapter HOW TO SETUP for more information.
- Done!



Electrical installation for two or more units in DMX-mode:



- The DMX-protocol is a widely used high speed signal to control intelligent light equipment. You need to “daisy chain” your DMX controller and all the connected units with a good quality balanced DMX-cable.
- To prevent strange behavior of the light effects, due to interferences, you must use a 90Ω to 120Ω terminator at the end of the chain. Never use Y-splitter cables, this simply won’t work!
- Make sure that all units are connected to the mains.
- Each light effect in the chain needs to have its proper start address so it knows which commands from the controller it has to decode. In the section HOW TO SETUP you will learn how to set the DMX addresses.



HOW TO SETUP:

MAIN MENU:

- To select any of the menu options, press the **[MENU] button** to enter the setup menu.
- Use the **▲/▼** buttons to change the parameters of the selected mode.
- To return to normal working mode: press the **[MENU] button** one or two times.

Addr DMX512 Address Setting

Used to set the start address in a DMX setup.

- Press the **▲/▼** buttons until **Addr** is shown on the display.
- Press **[ENTER]** to confirm.
- Use the **▲/▼** buttons to change the DMX512 address.
- Press **[ENTER]** to confirm.

ChMd Channel mode

Used to set the desired channel mode.

- Press the **▲/▼** buttons until **ChMd** is shown on the display.
- Press **[ENTER]** to confirm.
- Use the **▲/▼** buttons to select:
 - **1Ch**: 1channel mode, only dimmer 0-100%
 - **2Ch**: 2channel mode, dimmer 0-100% + strobe
- Press **[ENTER]** to confirm.

blMd Channel mode

Used to set how the projector reacts when the DMX-signal suddenly disappears.

- Press the **▲/▼** buttons until **blMd** is shown on the display.
- Press **[ENTER]** to confirm.
- Use the **▲/▼** buttons to select:
 - **Soun**: output sound activated when no DMX is detected
 - **FrEE**: output based on the last valid DMX-signal is kept on the projector
 - **nuLL**: [BLACKOUT]-mode output turns black while no DMX is detected
- Press **[ENTER]** to confirm.

d.inn STANDALONE use (without DMX-control): dimmer mode

Used to adjust the output manually.

- Press the **▲/▼** buttons until **d.inn** is shown on the display.
- Press **[ENTER]** to confirm.
- Use the **▲/▼** buttons to change the output between **00** (no output) and **99** (full output).
- Press **[ENTER]** to confirm.

Soun STANDALONE use (without DMX-control): sound activated mode

Used to adjust the audio sensitivity while used in sound mode.

- Press the **▲/▼** buttons until **Soun** is shown on the display.
- Press **[ENTER]** to confirm.
- Use the **▲/▼** buttons to change the sensitivity between **00** (low) and **99** (high).
- Press **[ENTER]** to confirm.

SLAVE SLAVE MODE

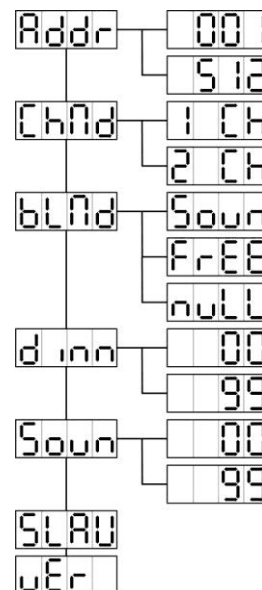
When you have one projector working in standalone mode (without DMX controller), you can connect other UV projectors to this unit and put them in SLAVE mode. The output of the slaves will be an exact copy of the master.

- Press the **▲/▼** buttons until **SLAVE** is shown on the display.
- Press **[ENTER]** to confirm.

VER Software version

Used to show the current version of the firmware.

- Press the **▲/▼** buttons until **VER** is shown on the display.
- Press **[ENTER]** to show the actual version number in the projector.



OPERATING INSTRUCTIONS

A. Standalone 1unit:

- Just connect the projector to the mains.
- Make the settings for the STANDALONE MODE
- Refer to chapter HOW TO SETUP to learn how to make the these settings.

B. Two or more units in master/slave setup:

- Connect several units together. Refer to the chapter “electrical installation” to learn how to do this.
- Select one of the STANDALONE MODES on the master (the first UV projector in the DMX chain)
- Set all the other projectors in SLAVE mode.
- The projectors will now follow the program of the master projector so they all work synchronously.

C. Controlled by universal DMX-controller:

- Connect all units together. Refer to the chapter “Electrical installation for two or more units in DMX-mode” to learn how to do this (don’t forget to address all units properly!)
 - Connect all units to the mains and turn on the DMX controller.
- Since each unit has its own DMX-address, you can control them individually. Remember that each unit uses 1 or 2 DMX-channels, depending on the DMX-mode you have selected in the menu. See the different DMX charts below:

1CH MODE

Channel 1	Dimmer
000-255	0-100%

2CH MODE

Channel 1	Dimmer
000-255	0-100%
Channel 2	Strobe
000-007	Strobe OFF
008-200	Strobe speed (increasing)
201-255	Sound controlled Flashing (increasing sensitivity)

WIRELESS REMOTE CONTROLLER

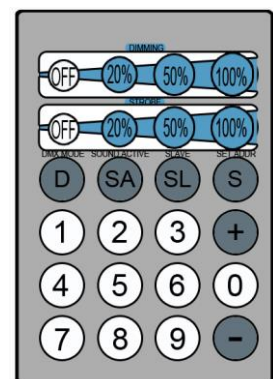
IMPORTANT REMARKS:

- The wireless IR-remote is **NOT INCLUDED** but can be ordered separately!
- The wireless IR-remote is only active when **NO DMX-signal** is detected!
- Not all buttons of the IR-remote are used!

Functions of the buttons:

- **DIMMING:** You can set the light output at 20%, 50% or 100%. OFF = Blackout.
- **STROBE:** You can set the strobe speed at 20%, 50% or 100%.

Other buttons are NOT USED!



MAINTENANCE

- Make sure the area below the installation place is free from unwanted persons during servicing.
- Switch off the unit, unplug the mains cable and wait until the unit has been cooled down.

During inspection the following points should be checked:

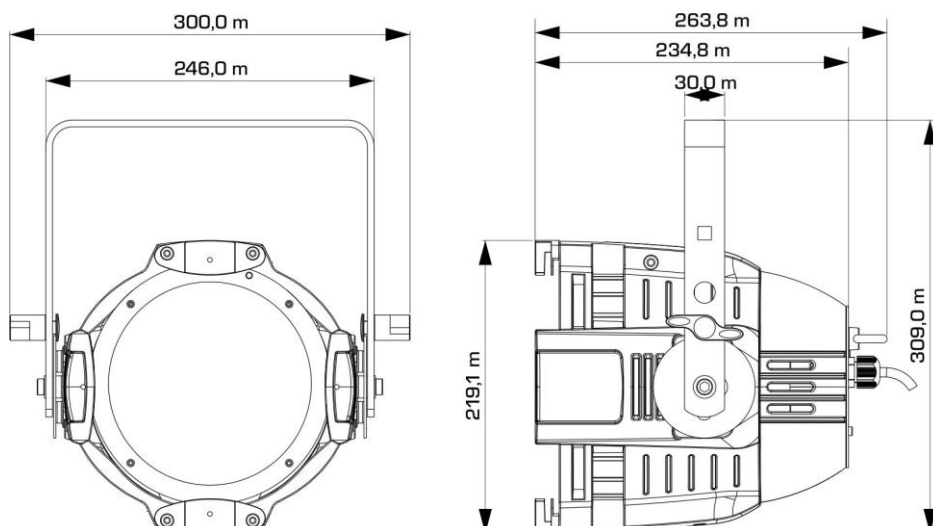
- All screws used for installing the device and any of its parts should be tightly fastened and may not be corroded.
- Housings, fixations and installations spots (ceiling, truss, suspensions) should be totally free from any deformation.
- When an optical lens is visibly damaged due to cracks or deep scratches, it must be replaced.
- The mains cables must be in impeccable condition and should be replaced immediately when even a small problem is detected.
- In order to protect the device from overheat the cooling fans (if any) and ventilation openings should be cleaned monthly.
- The interior of the device should be cleaned annually using a vacuum cleaner or air-jet.
- The cleaning of internal and external optical lenses and/or mirrors must be carried out periodically to optimize light output. Cleaning frequency depends on the environment in which the fixture operates: damp, smoky or particularly dirty surroundings can cause greater accumulation of dirt on the unit's optics.
 - Clean with a soft cloth using normal glass cleaning products.
 - Always dry the parts carefully.

Attention: We strongly recommend internal cleaning to be carried out by qualified personnel!

SPECIFICATIONS

This unit is radio-interference suppressed. This product meets the requirements of the current European and national guidelines. Conformity has been established and the relevant statements and documents have been deposited by the manufacturer.

Mains Input:	110-240Vac, 50/60Hz
Power consumption:	95 Watt
Fuse:	250V 2A slow blow (20mm glass)
Sound Control:	Internal microphone
DMX connections:	XLR 3pin
LEDs:	100W COB UV LED ($\lambda = 395 \sim 405\text{nm}$)
Beam angle:	60°
Size:	see drawing
Weight:	4,1 kg



Every information is subject to change without prior notice

You can download the latest version of this user manual on our website: www.briteq-lighting.com



MAILING LIST

EN: Subscribe today to our mailing list for the latest product news!

FR: Inscrivez-vous à notre liste de distribution si vous souhaitez suivre l'actualité de nos produits!

NL: Abonneer je vandaag nog op onze mailinglijst en ontvang ons laatste product nieuws!

DE: Abonnieren Sie unseren Newsletter und erhalten Sie aktuelle Produktinformationen!

ES: Suscribete hoy a nuestra lista de correo para recibir las últimas noticias!

WWW.BRITEQ-LIGHTING.COM

Copyright © 2016 by BEGLEC NV

t Hofveld 2C ~ B1702 Groot-Bijgaarden ~ Belgium

Reproduction or publication of the content in any manner, without express permission of the publisher, is prohibited.