

Technical Manual

JBL CONTROL SB-2

SPECIFICATIONS



ACOUSTIC & ELECTRICAL SPECIFICATIONS:

- Nominal Impedance: 8 ohm x 2
- Power Capacity (Continuous Pink Noise): 340W (Both Channels Driven) 170W (Each Channel) x 2
- Frequency Range: 38 Hz - 180 Hz
- Sensitivity: 94 dB SPL (1W Input)*
- Crossover Frequency: 160 Hz

SYSTEM COMPONENTS:

- Cabinet: CSB-2 (Not For Sale)
- Grille: Load Baffle (Not For Sale)
- Low Frequency Transducer: 250mm (10 in.) Dual Voice Coil Transducer (124-21001-00)
- DC Resistance: 7.1 ohm ±10% Copper Wire
- Crossover Network/Term Cup: 129-10000-03

AURAL SWEEP TEST SPECIFICATIONS:

- A. System Aural Sweep Test: 7.0V Input, 20 Hz to 20 kHz
- B. L.F. Aural Sweep Test: 6.0V Input, 20 Hz to 1.2 kHz

PHYSICAL SPECIFICATIONS:

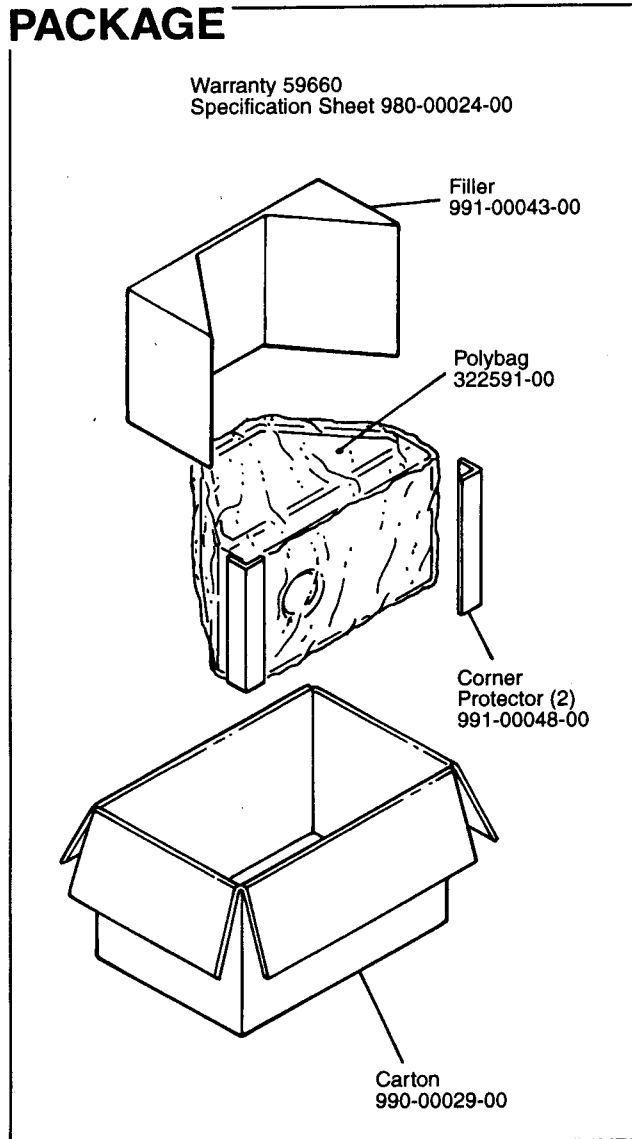
- Enclosure Dimensions: 394mm x 585mm x 343mm D (15.5 x 23.0 x 13.5 in. D)
- Shipping Weight: 50 lbs. (22.7 kg.)

WARRANTY INFORMATION:

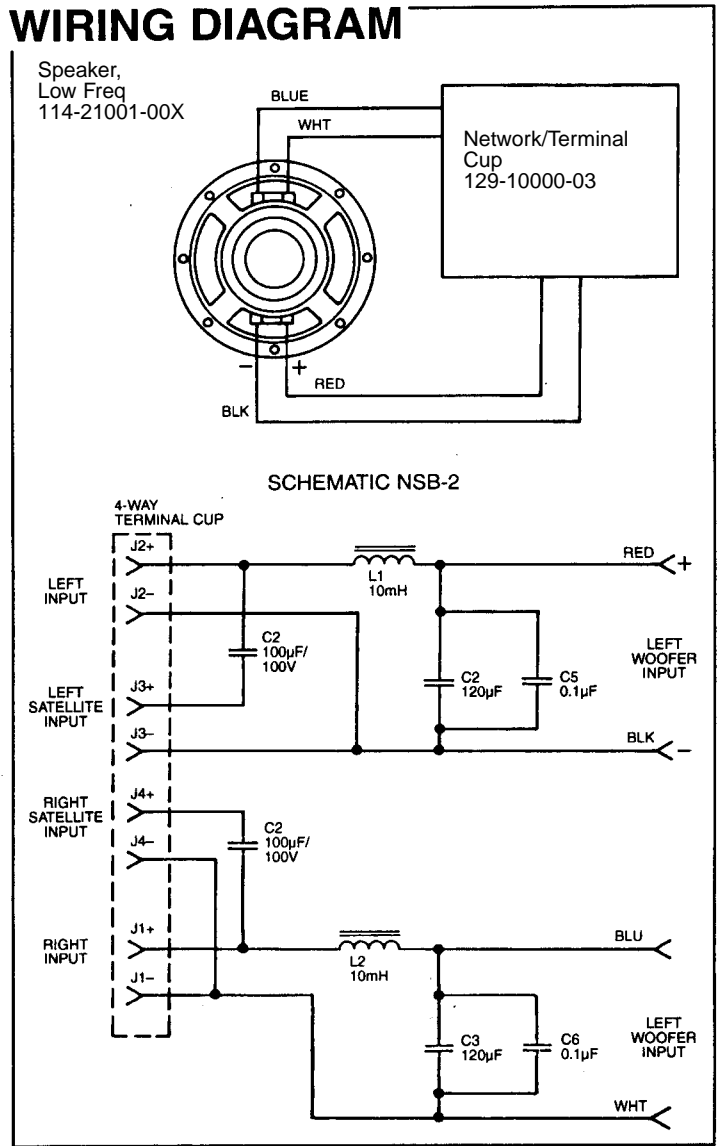
- Refer to Warranty Statement packed with each product.

*1 Watt (2.83 V RMS) @ 1 Meter, 1 Coil Driven, Half Space Loaded, 60 Hz - 90 Hz

PACKAGE



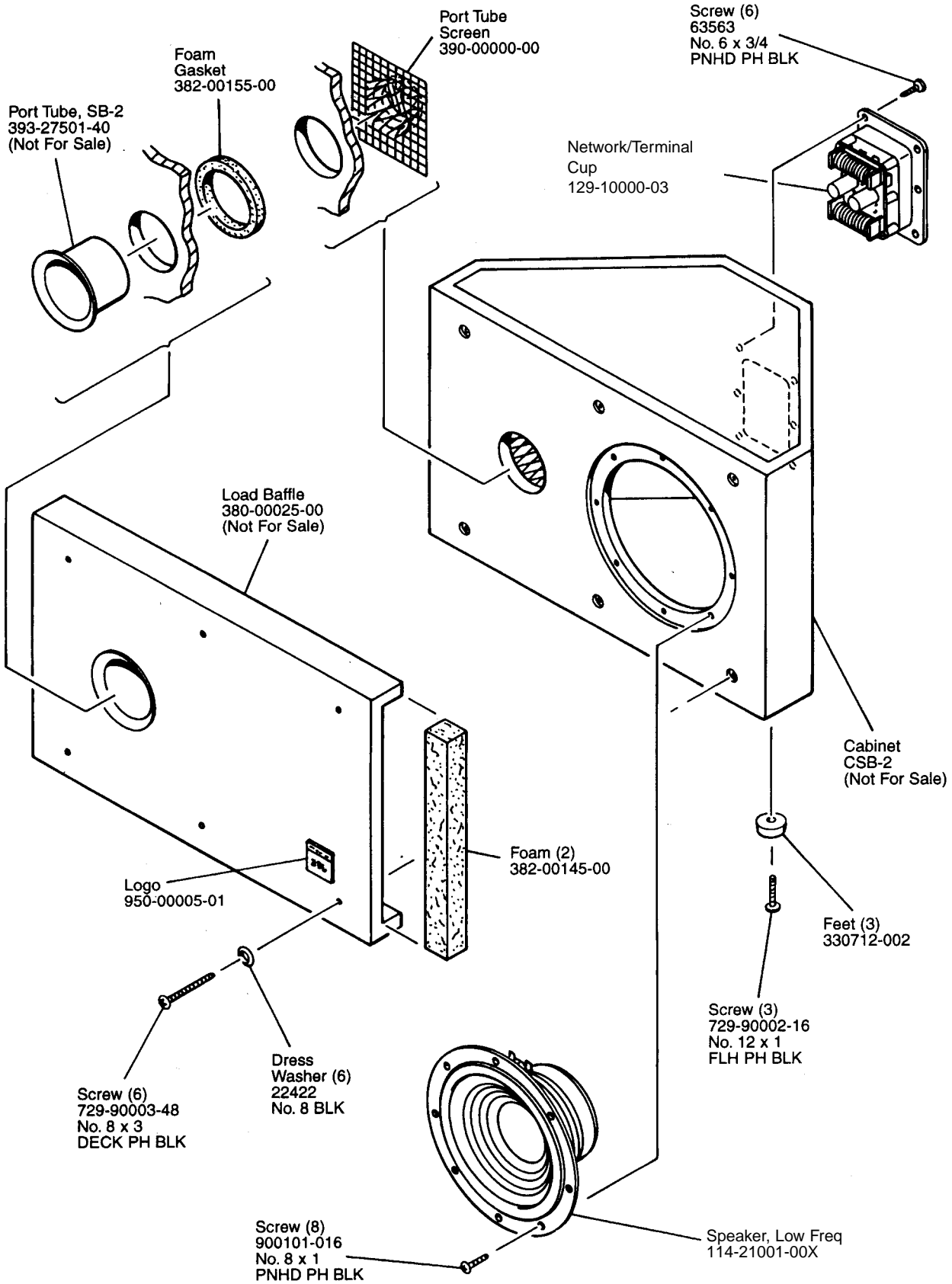
WIRING DIAGRAM



JBL CONTROL SB-2 REV F

JBL CONTROL SB-2

COMPONENT EXPLODED VIEW



JBL CONTROL SB-2