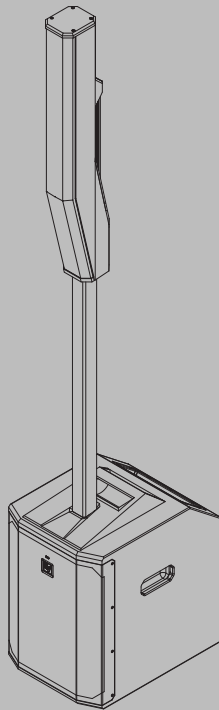


# EVOLVE 50 Portable Column System





## Table of contents





|          |  |           |
|----------|--|-----------|
| <b>1</b> | <b>Safety</b>                                    | <b>4</b>  |
| 1.1      | Important safety instructions                    | 4         |
| 1.2      | FCC information                                  | 5         |
| 1.3      | Precautions                                      | 7         |
| 1.4      | Certifications                                   | 7         |
| 1.5      | Notices  | 8         |
| <b>2</b> | <b>Short information</b>                         | <b>10</b> |
| 2.1      | Shipping contents                                | 10        |
| <b>3</b> | <b>Description</b>                               | <b>11</b> |
| 3.1      | System features                                  | 11        |
| 3.2      | Quick setup                                      | 12        |
| <b>4</b> | <b>Installation</b>                              | <b>13</b> |
| <b>5</b> | <b>Amplifier DSP</b>                             | <b>14</b> |
| 5.1      | Amplifier DSP controls                           | 14        |
| 5.2      | System status                                    | 15        |
| 5.3      | DSP control menu                                 | 16        |
| <b>6</b> | <b>Pairing the QuickSmart Mobile application</b> | <b>22</b> |
| <b>7</b> | <b>Recommended configurations</b>                | <b>23</b> |
| 7.1      | Stereo pair of EVOLVE 50 systems                 | 23        |
| 7.2      | Solo musician performance                        | 24        |
| <b>8</b> | <b>Troubleshooting</b>                           | <b>25</b> |
| <b>9</b> | <b>Technical data</b>                            | <b>27</b> |
| 9.1      | Dimensions                                       | 28        |
| 9.2      | Frequency response                               | 29        |

# 1

## Safety

### 1.1

### Important safety instructions

|  |   |  |
|--|---|--|
|  <p><b>WARNING:</b> TO REDUCE THE RISK OF FIRE OR ELECTRIC SHOCK, DO NOT OVEREXPOSE THIS APPLIANCE TO RAIN OR MOISTURE</p> <p><b>AVIS:</b> RISQUE DE CHOC ELECTRIQUE, NE PAS OUVRIR.</p> <p><b>WARNING:</b> THE MAINS PLUG OR AC INLET IS USED AS A DISCONNECT DEVICE. THE DISCONNECT DEVICE SHALL REMAIN READILY OPERABLE.</p> <p><b>WARNING:</b> CONNECT ONLY TO MAINS SOCKET WITH PROTECTIVE EARTHING CONNECTION.</p> <p><b>WARNING:</b> TO REDUCE THE RISK OF ELECTRIC SHOCK, DO NOT REMOVE COVER (OR BACK) AS THERE ARE NO USER-SERVICABLE PARTS INSIDE. REFER SERVICING TO QUALIFIED PERSONNEL.</p> |  | <p>The lightning flash with arrowhead symbol, within an equilateral triangle is intended to alert the user to the presence of uninsulated “dangerous voltage” within the product’s enclosure that may be sufficient magnitude to constitute a risk of electric shock to persons.</p> |
|  |  | <p>The exclamation point within an equilateral triangle is intended to alert the user to the presence of important operating and maintenance (servicing) instructions in the literature accompanying the appliance.</p>  |
|  |  | <p>The asterisk within an equilateral triangle is intended to inform the user to necessary installation or removal instructions regarding equipment or hardware use relating to the system.</p>  |
|  |   |  |

1. Read these instructions.
2. Keep these instructions.
3. Heed all warnings.
4. Follow all instructions.
5. Do not use this apparatus near water.
6. Clean only with a dry cloth.
7. Do not block any ventilation openings. Install in accordance with the manufacturer's instructions.
8. Do not install near any heat sources such as radiators, heat registers, stoves, or other apparatus (including amplifiers) that produce heat.
9. Do not defeat the safety purpose of the polarized or grounding-type plug. A polarized plug has two blades with one wider than the other. A grounding type plug has two blades and a third grounding prong. The wide blade or the third prong is provided for your safety. If the provided plug does not fit into your outlet, consult an electrician for replacement of the obsolete outlet.
10. Protect the power cord from being walked on or pinched particularly at plugs, convenience receptacles, and the point where they exit from the apparatus.
11. Only use attachments/accessories specified by the manufacturer.
12. Use only with the cart, stand, tripod, bracket, or table specified by the manufacturer, or with the apparatus. When a cart is used, use caution when moving the cart/apparatus combination to avoid injury from tip-over.
13. Unplug the apparatus during lightning storms or when unused for long periods of time.

14. Refer all servicing to qualified service personnel. Servicing is required when the apparatus has been damaged in any way, such as power-supply cord or plug is damaged, liquid has been spilled or objects have fallen into the apparatus, the apparatus has been exposed to rain or moisture, does not operate normally, or has been dropped.
15. No naked flame sources, such as lighted candles, should be placed on the apparatus.
16. To reduce the risk of fire or electric shock, do not expose this apparatus to rain or moisture. The apparatus should not be exposed to dripping or splashing. Objects filled with liquids, such as vases should not be placed on apparatus.
17. Do not block any ventilation openings. Install in accordance with the manufacturer's instructions.
18. Minimum 60 cm (2 ft) distances around the apparatus for sufficient ventilation.
19. The ventilation should not be impeded by covering the ventilation openings with items, such as newspapers, table-cloths, curtains, etc.
20. To completely disconnect AC power from this apparatus, the power supply cord must be unplugged.

**Warning!**

This product is not designed to be suspended. Do NOT use handles or any other method to suspend the loudspeaker. Handles on Electro-Voice loudspeakers are intended to only be used for temporary transport by people.

Items, such as fiber rope, wire rope, cables, or other types of materials cannot be used to suspend loudspeaker from the handles.

---

**Caution!**

Do not attempt to move this loudspeaker system when it is fully assembled. You may damage the system or cause personal injury.

---

## 1.2

### FCC information

This device complies with Part 15 of the FCC Rules. Operation is subject to the following two conditions:

- (1) This device may not cause harmful interference, and
- (2) This device must accept any interference received, including interference that may cause undesired operation.



### Notice!

This product has been tested and found to comply with the limits for a Class B digital device, pursuant to Part 15 of the FCC Rules. These limits are designed to provide reasonable protection against harmful interference in a residential installation. This product generates, uses, and can radiate radio frequency energy and, if not installed and used in accordance with the instructions, may cause harmful interference to radio communications.

However, there is no guarantee that interference will not occur in a particular installation. If this product does cause harmful interference to radio or television reception, which can be determined by turning the equipment off and on, the user is encouraged to try to correct the interference by one or more of the following measures:

- Reorient or relocate the receiving antenna.
- Increase the separation between the equipment and receiver.
- Connect the equipment into an outlet on a circuit different from that to which the receiver is connected.
- Consult the dealer or an experienced radio/TV technician for help.

The device contains a BT module CYBLE-022001-00 which has been granted by FCC and IC, the FCC ID:WAP2001 and IC:7922A-2001. And module is assembled on the PRE PCB

Please take attention that changes or modification not expressly approved by the party responsible for compliance could void the user's authority to operate the equipment. This equipment should be installed and operated with a minimum distance 20cm between the radiator and your body

This device complies with Industry Canada license-exempt RSS standard(s). Operation is subject to the following two conditions:

- (1) this device may not cause interference, and
- (2) this device must accept any interference, including interference that may cause undesired operation of the device.





Le présent appareil est conforme aux CNR d'Industrie Canada applicables aux appareils radioexempts de licence. L'exploitation est autorisée aux deux conditions suivantes :

- (1) l'appareil ne doit pas produire de brouillage, et
- (2) l'utilisateur de l'appareil doit accepter tout brouillage radioélectrique subi, même si le brouillage est susceptible d'en compromettre le fonctionnement.

Under Industry Canada regulations, this radio transmitter may only operate using an antenna of a type and maximum (or lesser) gain approved for the transmitter by Industry Canada. To reduce potential radio interference to other users, the antenna type and its gain should be so chosen that the equivalent isotropically radiated power (e.i.r.p.) is not more than that necessary for successful communication.

Conformément à la réglementation d'Industrie Canada, le présent émetteur radio peut fonctionner avec une antenne d'un type et d'un gain maximal (ou inférieur) approuvé pour l'émetteur par Industrie Canada. Dans le but de réduire les risques de brouillage radioélectrique à l'intention des autres utilisateurs, il faut choisir le type d'antenne et son gain de sorte que la puissance isotrope rayonnée équivalente (p.i.r.e.) ne dépasse pas l'intensité nécessaire à l'établissement d'une communication satisfaisante.

### 1.3 Precautions

|   |  |
|---|--|
|  | <p>If an Electro-Voice loudspeaker is used outdoors on a sunny day, place the loudspeaker in a shaded or covered area. The loudspeaker amplifiers have protection circuits that temporarily shut the loudspeaker off when extremely high temperatures are reached. This can happen on hot days when the loudspeaker is in direct sunlight.</p> |
|  | <p>Do not use Electro-Voice loudspeakers in an environment where temperatures are below 0°C (32°F) or exceed +35°C (95°F).</p>   |
|  | <p>Never expose an Electro-Voice loudspeaker to rain, water, or high moisture.</p>   |
|  | <p>Electro-Voice loudspeakers are easily capable of generating sound pressure levels sufficient to cause permanent hearing damage to anyone within normal coverage distance. Caution should be taken to avoid prolonged exposure to sound pressure levels exceeding 90 dB.</p>   |

### 1.4 Certifications

**Brazil:**

"Este equipamento não tem direito à proteção contra interferência prejudicial e não pode causar interferência em sistemas devidamente autorizados"

**Mexico:**

“La operación de este equipo está sujeta a las siguientes dos condiciones: (1) es posible que este equipo o dispositivo no cause interferencia perjudicial y (2) este equipo o dispositivo debe aceptar cualquier interferencia, incluyendo la que pueda causar su operación no deseada”

**Singapore:**

Complies with  
IMDA Standards  
DB101762

**Republic of Korea:**



- 제품명: 앰프내장형 스피커
- 모델명: **EVOLVE50-SB-AP**
- 정격: **100-240Vac, 50-60Hz, 1000W**
- 수입업체(상호)명: 로버트보쉬코리아(유)
- 제조사: **Bosch Security Systems, Inc.**
- 제조연월:별도표기 제조국 : 중국

**A/S: 02-702-2845**

해당 무선설비는 운용 중 전파혼신 가능성이 있음  
해당 무선설비는 전파혼신 가능성이 있으므로 인명안전과 관련된 서비스는 할 수 없습니다.

**United Arab Emirates:**

TRA Registered no.: ER58747/17

Dealer no.: DA45733/15

## 1.5



## Notices

### Old electrical and electronic appliances

Electrical or electronic devices that are no longer serviceable must be collected separately and sent for environmentally compatible recycling (in accordance with the European Waste Electrical and Electronic Equipment Directive).

To dispose of old electrical or electronic devices, you should use the return and collection systems put in place in the country concerned.

### Copyright and disclaimer

All rights reserved. No part of this document may be reproduced or transmitted in any form by any means, electronic, mechanical, photocopying, recording, or otherwise, without the prior written permission of the publisher. For information on getting permission for reprints and excerpts, contact Electro-Voice.

All content including specifications, data, and illustrations in this manual are subject to change without prior notice.



### Notice!

Bluetooth® is available in select countries.

Contact your nearest Electro-Voice dealer or Electro-Voice distributor for more information.

The Bluetooth® word mark and logos are registered trademarks owned by Bluetooth SIG, Inc. and any use of such marks by Bosch Security Systems, Inc. is under license. Other trademarks and trade names are those of their respective owners.



## For use in China: CHINA ROHS DISCLOSURE TABLE

针对在中国境内的使用：CHINA ROHS披露表

扬声器

| 根据SJ/T 11364-2014编制的有害物质表                   |            |            |            |                  |              |                |
|---|------------|------------|------------|------------------|--------------|----------------|
|   | Pb<br>(Pb) | Hg<br>(Hg) | Cd<br>(Cd) | Cr 6+<br>(Cr 6+) | PBB<br>(PBB) | PBDE<br>(PBDE) |
| 电路板   | ○          | ○          | ○          | ○                | ○            | ○              |
| 电子组件  | x          | ○          | ○          | ○                | ○            | ○              |
| 换能器   | x          | ○          | ○          | ○                | ○            | ○              |
| 显示屏   | x          | ○          | ○          | ○                | ○            | ○              |
| 电缆和导线                                       | ○          | ○          | ○          | ○                | ○            | ○              |
| 塑料材料  | ○          | ○          | ○          | ○                | ○            | ○              |
| 金属材料  | x          | ○          | ○          | ○                | ○            | ○              |
| 木质和纸质材料                                     | ○          | ○          | ○          | ○                | ○            | ○              |
| 涂料与涂层                                       | ○          | ○          | ○          | ○                | ○            | ○              |
| 本表系根据SJ/T 11364的规定编制而成                      |            |            |            |                  |              |                |
| ○：上述有害物质在所有包含该物质的均质材料中的含量均低于GB/T 26572规定的限值 |            |            |            |                  |              |                |
| x：上述有害物质在特定均质材料中的含量均高于GB/T 26572规定的限值       |            |            |            |                  |              |                |

关于该类产品生产日期代码的详细说明，请见：

<http://www.boschsecurity.com/datecodes/>

## 2 Short information

The following table lists products in a family, with CTN (Commercial Type Number) and identifying product name DESCRIPTION.

| CTN             | Description                              |
|-----------------|--|
| EVOLVE50-TB     | Column speaker array, pole, black        |
| EVOLVE50-SB-US  | Column speaker sub US, black             |
| EVOLVE50-SB-EU  | Column speaker sub EU, black             |
| EVOLVE50-SB-AP  | Column speaker sub AP, black             |
| EVOLVE50-SB-GL  | Column speaker sub, black, global, no BT |
| EVOLVE50-TW     | Column speaker array, pole, white        |
| EVOLVE50-SW     | Column speaker sub, white, global w BT   |
| EVOLVE50-SW-GL  | Column speaker sub, white, global, no BT |
| EVOLVE50-PL-SW  | Column speaker pole, short, white        |
| EVOLVE50-CASE   | Column speaker carrying case, wheels     |
| EVOLVE50-SUBCVR | Subwoofer cover                          |

### 2.1 Shipping contents

| Quantity | Component                     |
|----------|-------------------------------|
| 1        | Subwoofer                     |
| 1        | Power cord                    |
| 1        | EVOLVE 50 installation manual |
| 1        | Warranty card                 |
| 1        | Safety manual                 |

**Tab. 2.1:** Subwoofer box

| Quantity | Component    |
|----------|--------------|
| 1        | Column array |
| 1        | Sub pole     |
| 1        | Carry bag    |

**Tab. 2.2:** Column array box

## 3 Description

Thank you for choosing an Electro-Voice portable column system. Please take time to consult the manual to understand all the features built into your EV system and fully utilize its performance capabilities.

The EVOLVE 50 portable column system is a new entry and form factor in the Electro-Voice portable sound portfolio. Designed to deliver an uncompromising combination of low-profile aesthetics and superior audio performance, the EVOLVE 50 sets a new standard for portable columnar systems.

EVOLVE 50 is designed to quickly and easily be transported and assembled. The three handle design on the subwoofer and convenient included carry case for the sub pole and column array provide minimal resistance to getting excellent, professional sound anywhere you need it. Installation is made easier via the symmetrical aluminum subwoofer pole with an integrated wire assembly. The connection is secured by the magnetic assisted latching system, which magnetically locks the sub pole in place.

The full-range column array and its eight 3.5-inch neodymium drivers are directed using custom-designed waveguides for consistent 120° coverage. The ported subwoofer enclosure houses a 12-inch woofer that is supported by 18 mm wood for enhanced stiffness and acoustical performance. The Class-D amplifier provides up to 1000 watts of output power: 500 watts to the subwoofer and 500 watts to the column array. The input panel features EV's industry-leading Quick**Smart**DSP interface—allowing intuitive navigation of system parameters via an LCD with single-knob control—as well as multiple options for signal routing and inputs.

The new Electro-Voice Quick**Smart** Mobile application utilizes Bluetooth® Low Energy (BTLE) technology for the wireless configuration, control, and monitoring of up to six EVOLVE 50 systems simultaneously. High-resolution Bluetooth® audio streaming adds convenience for wireless music playback in breakout rooms, intermission, and musical accompaniment. *Bluetooth® is available in select countries.*

Electro-Voice quality and testing procedures far exceed the industry norm to yield efficient and effective electro-acoustic performance; this creates components that deliver an accurate, linear response at the system's highest output levels. When applied to EVOLVE 50, this engineering philosophy results in a system that brings a new sonic benchmark to the column speaker segment, all packaged in a sleek and portable enclosure that blends into the background in any application from a lounge to a wedding reception.

### 3.1 System features

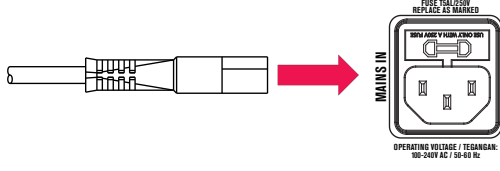
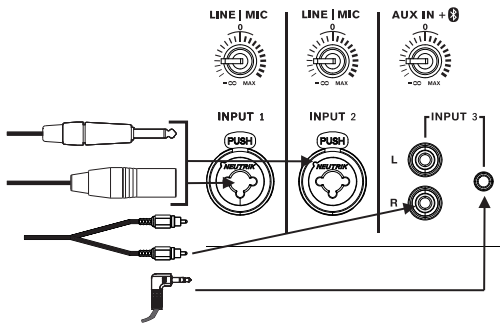

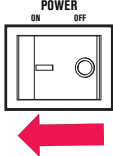


- EV Quick**Smart** Mobile application: quickly and wirelessly configure, control, and monitor up to six EVOLVE 50 systems simultaneously, and receive immediate notification during critical performance conditions. *Bluetooth® connectivity is available in select countries.*
- High-quality Bluetooth® audio streaming for background music or musical accompaniment. *Bluetooth® connectivity is available in select countries.*
- Ultra-wide 120° horizontal coverage via custom-designed waveguides and array-formed 40° asymmetrical vertical coverage means all acoustical energy is directed towards both sitting and standing audiences.

- Quick**Smart**DSP provides best-in-class processing via EV's signature single-knob user interface with LCD. Easy setup via four presets (Music, Live, Speech, Club), three-band EQ (low, mid, high), five user-programmable presets (Store and Recall settings), output delay, phantom power, visual monitoring of limiter status, input level control and meters, and master volume control to optimize gain structure.
- Ideal for portable applications. Light weight and intuitive assembly via the magnet assisted sub pole make a quality performance easier than ever.

## 3.2 Quick setup

### Subwoofer

To **set up a subwoofer**, do the following:

| Step  | Illustration  |
|---|---|
| 1. Connect the <b>AC power cord</b> from a grounded line receptacle to the MAINS IN.  |     |
| 2. Connect the <b>XLR or TRS cables</b> from an audio source to <b>INPUT 1</b> or <b>INPUT 2</b> or connect <b>the RCA cable or 3.5 mm mini jack</b> from an audio source to <b>INPUT 3</b> . |    |
| 3. Adjust the <b>input gain</b> to $-\infty$ (infinity).  |  |
| 4. Switch <b>POWER</b> to ON.   |  |
| 5. From the DSP home screen, increase the <b>input gain</b> to the desired sound output.  |  |
| 6. Adjust the <b>MASTER VOL</b> knob to the desired volume.   |  |

### See also

- *Amplifier DSP, page 14*

## 4

## Installation

**Caution!**

Do not attempt to move this loudspeaker system when it is fully assembled. You may damage the system or cause personal injury.

**Assembling the loudspeaker system**

To **assemble the loudspeaker system**, do the following:

1. Place the **subwoofer** on a level and stable surface.
2. Insert the symmetrical **pole** into the top of the subwoofer.

*The pole has magnets (A) at each end. The pole can be inserted on either end.*



3. Place the **column array loudspeaker** on top of the subwoofer pole.



4. The **column array loudspeaker system** set up is complete.



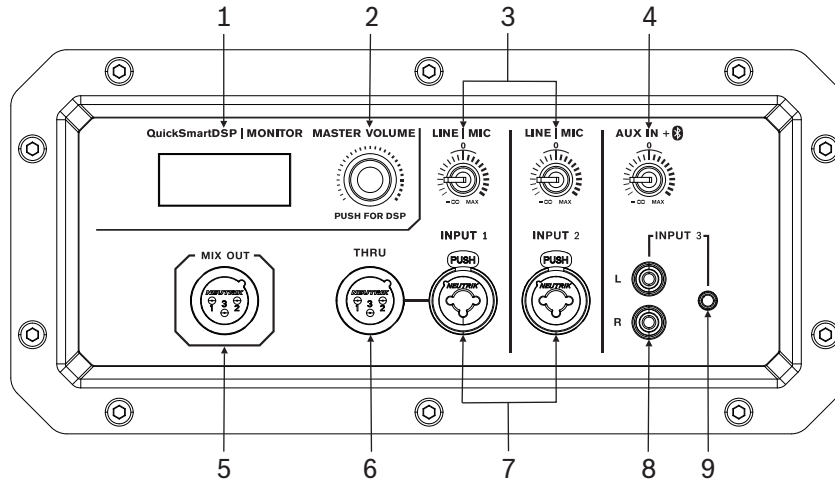
## 5 Amplifier DSP

### 5.1 Amplifier DSP controls

The amplifier has a combination of controls and connectors to ensure the most versatile loudspeaker system.

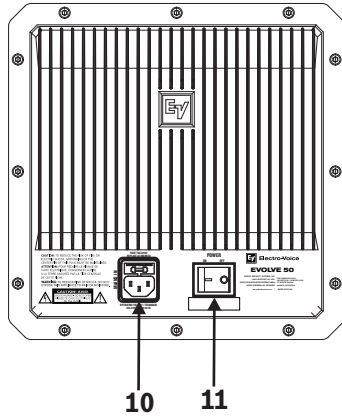
#### Portable column system control and monitoring interface

The portable column system DSP control menu selections are available for the EVOLVE 50 .



1. **LCD** – DSP control and monitoring interface.
2. **MASTER VOL** – Adjusts the sound level.  
**DSP** – Scroll through the menu and select the available choices. Push the MASTER VOL knob to enter the DSP menu.
3. **LINE | MIC** – Electronically balanced INPUT 1 and INPUT 2 MIC/LINE for the connection of a line level signal source (such as mixer etc.) or a microphone. Phantom power (+15 V) can be enabled Phantom 1 or 2 if a condenser microphone is being used. Establishing a connection is possible via TRS or XLR-type plugs. Whenever possible, balanced signal feed is always preferable to guard against potential noise or HF-interference. This control lets you optimally adjust the incoming signals to match the sensitivity of the system.
4. **AUX IN** – Control to adjust the input trim of the stereo RCA type, 3.5mm, or Bluetooth® streaming inputs. This control lets you optimally adjust the incoming signals to match the sensitivity of the system. *Bluetooth® connectivity is available in select countries.*
5. **MIX OUT** – The post-fader audio signals of INPUT 1, INPUT 2 and INPUT 3 are mixed and passed to MIX OUT. The ratio of the input signals changes when the level controls INPUT 1, 2 or 3 are adjusted. This feature allows the loudspeaker to act as a basic three-channel mixer that can send the mix to another loudspeaker via the MIX OUT socket. This output is laid out in GND-SENSING technology, a special pin assignment of the output socket, offering all advantages of the balanced signal transmission, but lets you also connect monaural plugs without a problem.
6. **THRU** – The THRU output socket is connected in parallel to INPUT 1, it is used for *carrying through* the pre-fader input signal to additional powered loudspeaker or subwoofer.
7. **INPUT** – Electronically balanced INPUT 1/2 MIC/LINE for the connection of a line level signal source (such as mixer etc.) or a microphone. Establishing a connection is possible via TRS or XLR-type plugs. Whenever possible, balanced signal feed is always preferable to guard against potential noise or HF-interference.
8. **INPUT 3 RCA Connector** – Stereo unbalanced RCA type INPUT 3 AUX IN for connecting sources such as CD players or MP3 players.

- 9. **INPUT 3 3.5mm connector** – Balanced mono or unbalanced stereo input for mobile phones, laptops, etc.



**Notice!**  
 Markings and statements on amplifier panel may vary.

- 10. **MAINS IN** – The device receives its power supply via the MAINS IN socket. Only the provided power cord may be used. Connect the device only to a mains network, which corresponds to the requirements indicated on the type plate.
- 11. **POWER** – AC switch for switching the power ON or OFF. The LCD screen lights up when the power is turned ON, after approximately 3 seconds.

## 5.2 System status

### Normal



**Figure 5.1: Normal system status home screen with Bluetooth® status**

- 1. **LEVEL** – Indicates the master gain of the system in dB. The range is from mute to +10 dB, in 1 dB increments.
- 2. **IN1** – VU meter displays the signal level of INPUT 1 into the amplifier INPUT 1 XLR connector. IN1 and IN2 are independent of each other.
- 3. **IN2** – VU meter displays the signal level of INPUT 2 into the amplifier INPUT 2 XLR connector. IN1 and IN2 are independent of each other.
- 4. **IN3** – VU meter displays the signal level of INPUT 3.
- 5. **C** - Control app; the available options are:  
 OFF - DISABLED  
 FLASHING - PAIRING MODE  
 SOLID - CONNECTED
- 6. **1** - Indicates the selected store function number. There are five user defined store function numbers available.
- 7. **E** - Indicates the preset is not saved. When the preset is saved the E is not displayed.
- 8. **S** - Audio streaming; the available options are:  
 OFF - DISABLED

FLASHING - PAIRING MODE (120s)  
SOLID - CONNECTED

**Notice!**

Bluetooth® is available in select countries.

Contact your nearest Electro-Voice dealer or Electro-Voice distributor for more information.

**System protection**

System protection limiters indicate when a system is exceeding recommended usage by indicating CLIP or LIMIT on the LCD display.

**CLIP**

**CLIP** indicates the signal to the loudspeaker is too high, resulting in a clipped signal into the loudspeaker. If CLIP is shown, reduce the input gain knob and/or the signal on the mixer or source equipment.

**LIMIT**

**LIMIT** protects the loudspeaker from short-term peaks which can cause distortion. When LIMIT is shown small on the screen, the limiter is active but keeps distortion under control. The large LIMIT indicates the sound is negatively affected. Reducing the output volume (MASTER VOL) is strongly recommended when the large limit indication is shown.

**See also**

– *Pairing the QuickSmart Mobile application, page 22*

**5.3****DSP control menu**

|                  |                        |
|------------------|------------------------|
| <b>EXIT</b>      |                        |
| <b>MODE</b>      | MUSIC (Default)        |
|                  | LIVE                   |
|                  | SPEECH                 |
|                  | CLUB                   |
| <b>SUB LEVEL</b> | 0 dB (Default)         |
|                  | Mute, -80 dB to +10 dB |
| <b>TREBLE</b>    | 0 dB (Default)         |
|                  | -12 dB to +6 dB        |
| <b>MID</b>       | 0 dB (Default)         |
|                  | -12 dB to +6 dB        |
| <b>MID FREQ</b>  | 1200 Hz (Default)      |
|                  | 200 to 12000 Hz        |
| <b>BASS</b>      | 0 dB (Default)         |
|                  | -12 dB to +6 dB        |
| <b>PHANTOM 1</b> | ON                     |
|                  | OFF (Default)          |



|                  |               |                               |
|------------------|---------------|-------------------------------|
| <b>PHANTOM 2</b> |               | ON                            |
|                  |               | OFF (Default)                 |
| <b>MIX OUT</b>   |               | L+R (Default)                 |
|                  |               | R                             |
| <b>DELAY</b>     | FEET          | OFF (Default)                 |
|                  | METERS        | OFF, 0.1 to 100.0 m (and ft.) |
| <b>LED</b>       |               | OFF                           |
|                  |               | ON (Default)                  |
|                  |               | LIMIT                         |
|                  |               | CONTROL APP                   |
| <b>DISPLAY</b>   | BACK          |                               |
|                  | LCD DIM       | ON (Default)                  |
|                  |               | OFF                           |
|                  | BRIGHT        | 5 (Default)                   |
|                  |               | 1 to 10                       |
|                  | CONTRAST      | 5 (Default)                   |
| 1 to 10          |               |                               |
| BACK             |               |                               |
| <b>STORE</b>     |               | EXIT, 1, 2, 3, 4, 5, EXIT     |
| <b>RECALL</b>    |               | EXIT, 1, 2, 3, 4, 5, EXIT     |
| <b>BLUETOOTH</b> | CONTROL APP   | ON                            |
|                  |               | OFF (Default)                 |
|                  | STREAMING     | PAIRING                       |
|                  |               | ON                            |
|                  | OFF (Default) |                               |
| <b>RESET</b>     |               | RESET ALL SETTINGS?           |
|                  |               | NO (Default)                  |
|                  |               | YES                           |
| <b>INFO</b>      |               | [PRODUCT NAME]                |
|                  |               | [FIRMWARE VERSION]            |
|                  |               | ©2017 Electro-Voice           |
| <b>EXIT</b>      |               |                               |

**Tab. 5.3:** Portable column system DSP Control Menu

### EXIT Menu

The **Exit** menu is used to return to the home screen.



### Notice!

The display returns to the home screen after two minutes of inactivity.

### MODE Menu

The **Mode menu** is used to configure the type of sound the subwoofer delivers.

- **MUSIC** – is used for recorded music playback and electronic dance music applications. (Default)
- **LIVE** – is used for live sound applications.
- **SPEECH** – is used for spoken word applications.
- **CLUB** – is used for recorded electronic music playback.

### SUB LEVEL Menu

The **Sub Level** menu allows independent gain control of the subwoofer output. Changes to this parameter effectively change the crossover of the EVOLVE 50 system. The default setting of 0 dB is recommended for best audio performance.

The range is *MUTE, -80 dB to +10 dB*.

The default is *0 dB*.

### TREBLE Menu

The **Treble** menu is used to adjust the high frequency performance of the loudspeaker for different applications or personal preference. The parameter controls a high shelving filter that is centered on 6 kHz.

The range is -12 dB to +6 dB.

The default is *0 dB*.

### MID Menu

The **MID** menu is used to set the gain of the MID peak filter.

The range is -12 dB to +6 dB.

The default is *0 dB*.

### MID FREQ Menu

The **MID Freq** menu is used to set the center frequency of the MID peak filter.

The range is *200 -12000 Hz*.

The default is *1200 Hz*.

### BASS Menu

The **Bass** menu item is used to configure the low frequencies of sound.

The range is -12 dB to +6 dB.

The default is *0 dB*.

### PHANTOM 1 or PHANTOM 2 Menu

The Phantom 1 or Phantom 2 menu is for activating phantom power (+15 V) of audio INPUT 1 or 2 whenever a suitable condenser microphone is being used. Available options for this selection are: ON or OFF.

The default is *OFF*.

### MIX OUT Menu

The Mix Out menu is used to select which signal of INPUT 3 AUX IN should be output at MIX OUT and which signal should be delivered by the loudspeaker.

- L+R: The left and right signals of INPUT 3 are summed. The sum is output at MIX OUT and is delivered by the loudspeaker. (Default)
- R: Only the right signal of INPUT 3 is output at MIX OUT. The loudspeaker will deliver only the left signal.

#### DELAY Menu

The **Delay** menu is used to delay the output signal, e.g. to compensate for differences in distance among individual loudspeakers. The delay can be set in meters or feet. Available options for this selection are: OFF or a delay up to 100.0 m or 328 ft. The delay can be changed in 0.1 meter increments or 0.1 foot increments.

The default is *OFF*.

#### DISPLAY Menu

The **Display** menu options are BACK, LCD DIM, BRIGHT, and CONTRAST.

#### LED Menu

The **LED** menu shows power on and indicates limit. Available options for this selection are: ON, OFF, LIMIT or CONTROL APP.

- **ON** – turns the LED on when the power to the loudspeaker is ON. (Default)
- **OFF** – turns the LED off.
- **LIMIT** – turns the LED off under normal operation. The LED brief blinking indicates the limiter is activating. Short-term blinking is not critical because the integrated limiter keeps distortion under control. Constant lighting of the LED indicates the sound is negatively affected. If the LED is constantly lit, check the rear LCD for more information. Reducing the output volume is strongly recommended.
- **CONTROL APP** – indicates if Bluetooth® on the portable column system is trying to pair or is connected to a Bluetooth® enabled mobile device. In pairing mode the LED will flash blue indicating it is ready to pair. The LED is solid blue when it is connected.

The default is *ON*.

#### LCD DIM Menu

The **LCD Dim** menu is used to dim the display when the display is idle for 30 seconds.

Available options for this selection are: ON or OFF.

The default is *ON*.

#### BRIGHT Menu

The **Bright** menu is used to determine the brightness of the LCD.

The range is 1 to 10.

The default is *five (5)*.

#### CONTRAST Menu

The **Contrast** menu is used to increase or decrease the visibility of the LCD screen.

The range is 1 to 10.

The default is *five (5)*.

#### STORE Menu

The **Store** menu allows you create up to five customized user settings. Available options for this selection are: EXIT, 1, 2, 3, 4, and 5.



#### Notice!

The customized user setting name can contain a combination of alphanumeric characters including spaces. The alphanumeric character range is A to Z and 0-9.

The name field length is 12 characters.

### Storing customized user settings

To **store customized user settings**, do the following:

1. From the DSP menu, scroll to **STORE**.
2. Push the **MASTER VOL knob** to select STORE.  
*The store screen appears.*
3. Push the **MASTER VOL knob** to select 1.  
*The Enter name for 1 screen appears.*
4. Use the **MASTER VOL knob** to scroll through the characters.  
*The characters appear.*
5. Push the **MASTER VOL knob** to select the desired character.
6. Turn the **MASTER VOL knob** to move to the next character entry.  
*Continue selecting characters until the desired name is entered.*
7. Use the **MASTER VOL knob** to scroll to SAVE.
8. Push the **MASTER VOL knob** to select SAVE.
9. Repeat steps **3** through **8** to store additional customized user settings.
10. Select **EXIT** to return to the home screen.

### RECALL Menu

The **Recall** menu allows you retrieve up to five customized user settings. Available options for this selection are: EXIT, 1, 2, 3, 4, and 5.

### Recalling customized user settings

To **recall customized user settings**, do the following:

1. From the DSP menu, scroll to **RECALL**.
2. Push the **MASTER VOL knob** to select RECALL.  
*The recall screen appears.*
3. Push the **MASTER VOL knob** to select 1.  
*The selected item is loaded.*
4. Select **EXIT** to return to the home screen.

### BLUETOOTH

The **Bluetooth** menu options are CONTROL APP and STREAMING.

### CONTROL APP Menu

The **Control App** menu is used to enable the Quick**Smart** Mobile wireless control and monitoring application. Available options for this selection are: ON or OFF.

The default is **OFF**.



#### Notice!

Bluetooth® is available in select countries.

Contact your nearest Electro-Voice dealer or Electro-Voice distributor for more information.

The Bluetooth® word mark and logos are registered trademarks owned by Bluetooth SIG, Inc. and any use of such marks by Bosch Security Systems, Inc. is under license. Other trademarks and trade names are those of their respective owners.

### Turning Bluetooth® ON or OFF

To **turn Bluetooth® ON or OFF**, do the following:

1. From the DSP menu, scroll to **CONTROL APP**.
2. Select **ON**.  
OR  
Select **OFF**.

**STREAMING**

The **Streaming** menu is used to stream audio from your Bluetooth® enabled device via the loudspeaker system. Available options for this selection are: PAIRING, ON or OFF. The default is *OFF*.

**Pairing the portable column system with your Bluetooth® enabled device**

To **pair the portable column system with your Bluetooth® enabled device**, do the following:

1. From the DSP menu, scroll to **STREAMING**.
2. Select **PAIRING**.  
*PAIRING mode enables 120 seconds of visibility to Bluetooth® enabled devices.*
3. On your mobile device, select **EV EVOLVE** to initiate the pairing process.  
*Once the device is paired, all device audio will be output through the EVOLVE 50 system.*



**Notice!**

If connected with a mobile device, notification alerts and ring tones will also be played through the system.

Disable these notifications or enable *Airplane mode* on your mobile device to prevent unwanted interruptions during audio playback.

**Turning streaming ON or OFF**

To **turn streaming ON or OFF**, do the following:

1. From the DSP menu, scroll to **STREAMING**.
2. Select **ON**.  
OR  
Select **OFF**.

**RESET Menu**

The **Reset** menu is used to reset the loudspeaker to original factory settings. Available options for this selection are: NO or YES.

The default is *NO*.

**Resetting the system**

To **reset the system to original factory settings**, do the following:

1. From the DSP menu, select **RESET**.  
*The "RESET ALL SETTINGS?" validation message appears.*
2. Select **YES**.  
*The system is reset to the original factory settings.*



**Notice!**

The reset menu item is used to revert the loudspeaker to the original factory default settings. All user settings will be deleted. The user customized settings in the STORE and RECALL menus return to <EMPTY>.

**INFO Menu**

The **Information** menu is used to display the product name and firmware version.

**See also**

- *Pairing the QuickSmart Mobile application, page 22*

## 6 Pairing the QuickSmart Mobile application

The EV Quick**Smart** Mobile app is available for download for the iOS 10 and higher tablets and smart phones from the iTunes App Store or Android Marshmallow and higher tablets and smart phones from the Google Play Store.



### Notice!

The EV Quick**Smart** Mobile app is designed to only find speakers from Electro-Voice with Bluetooth® enabled.

The EV Quick**Smart** Mobile app will not display other types of Bluetooth® devices, e.g. phones, laptops, tablets, or headsets.



### Notice!


Bluetooth® is available in select countries.

Contact your nearest Electro-Voice dealer or Electro-Voice distributor for more information.

Prior to pairing the EV Quick**Smart** Mobile app with loudspeakers by Electro-Voice ensure Bluetooth® is enabled on the smart phone or tablet, and the loudspeaker.


### First time pairing:

To **pair the loudspeaker with the EV QuickSmart Mobile app**, do the following:

1. Open the **EV QuickSmart Mobile app**. 
2. **Finding nearby speakers** is displayed on the screen  
*The EV Quick**Smart** Mobile app is looking for available Bluetooth® enabled Electro-Voice loudspeakers.*
3. The available **loudspeakers** are displayed on the screen.  
*The app will display up to eight available loudspeakers.*
4. Tap the **loudspeaker you want to** pair with the app.  
*The selected loudspeaker will have a red line under it acknowledging it is selected.*
5. Repeat the previous **step** until all of the desired loudspeakers are selected.
6. Tap the red **CONNECT** button.
7. The **app pairs** with the desired loudspeaker.  
*The app can connect to up to six loudspeakers.*

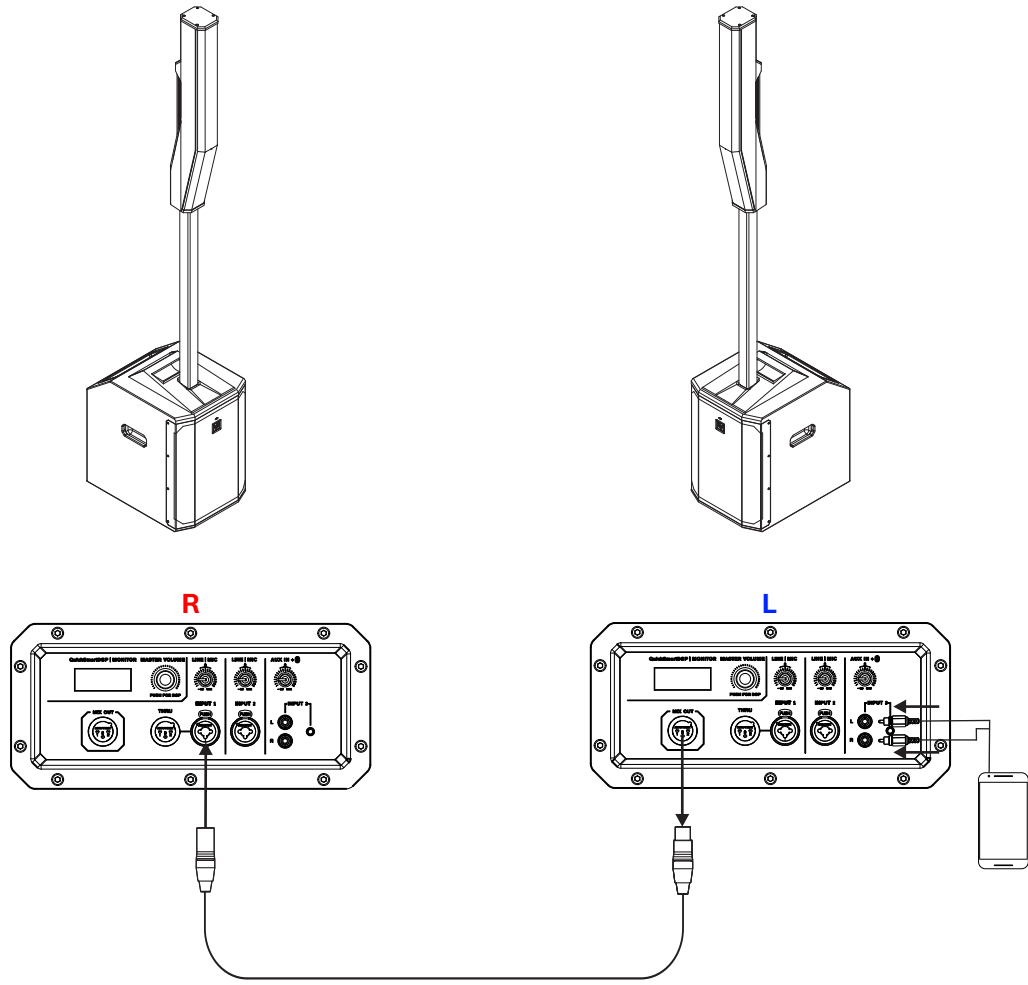
### Subsequent pairing:

To **pair the loudspeaker with the EV QuickSmart Mobile app**, do the following:

1. Tap the **EV QuickSmart Mobile app icon**. 
2. **Finding nearby speakers** is displayed on the screen  
*The EV Quick**Smart** Mobile app is looking for available Bluetooth® enabled Electro-Voice loudspeakers.*
3. The available **loudspeakers** are displayed on the screen.  
*The app will display up to eight available loudspeakers.*
4. Tap the **loudspeaker you want to** pair with the app.  
*The selected loudspeaker will have a red line under it acknowledging it is selected.*
5. Repeat the previous **step** until all of the desired loudspeakers are selected.
6. Tap the red **CONNECT** button.
7. The **app pairs** with the desired loudspeaker.  
*The app can connect to up to six loudspeakers.*

# 7 Recommended configurations

## 7.1 Stereo pair of EVOLVE 50 systems



|   |       |
|---|-------|
| R | Right |
| L | Left  |



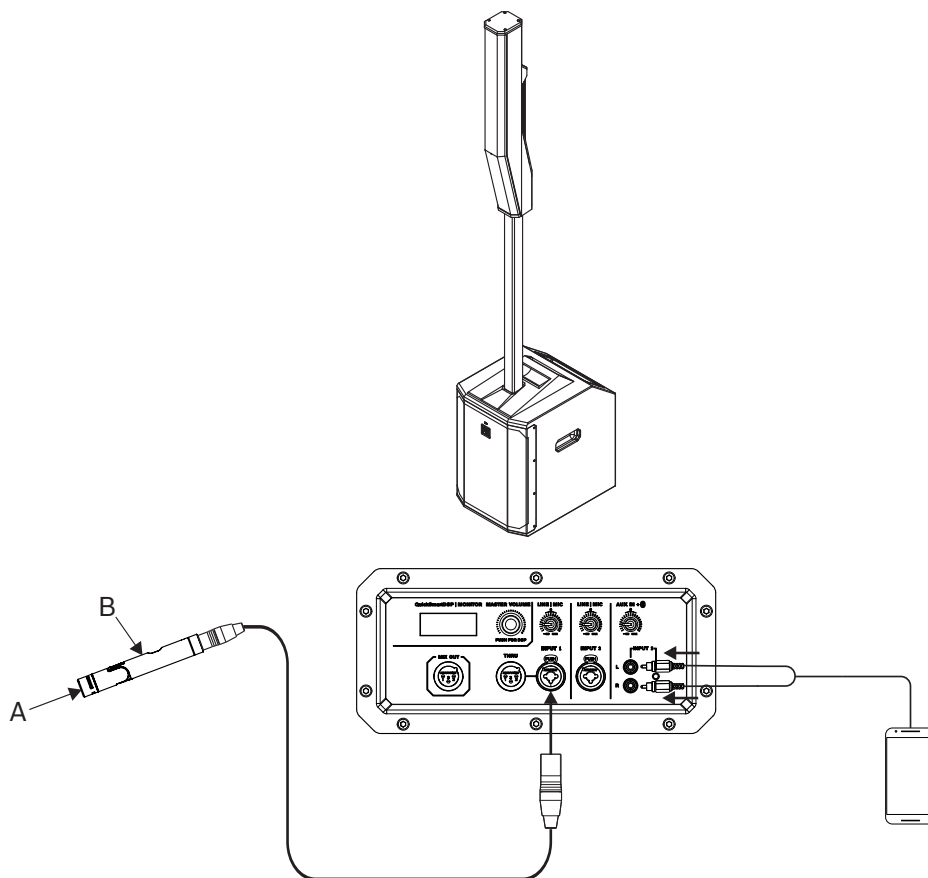
**Notice!**  
The direction of the arrow indicates the signal path.

|                 |       |
|-----------------|-------|
| <b>Mode:</b>    | Music |
| <b>MIX-OUT:</b> | R     |

**Tab. 7.4:** DSP settings for the portable column system

**See also**  
– *DSP control menu, page 16*

## 7.2 Solo musician performance



|   |                          |
|---|--------------------------|
| A | Guitar, conga drum, etc. |
| B | Condenser microphone     |



**Notice!**

The direction of the arrow indicates the signal path.

|                   |      |
|-------------------|------|
| <b>Mode:</b>      | Live |
| <b>Phantom 1:</b> | On   |

**Tab. 7.5:** DSP settings for the portable column system

**See also**

- *DSP control menu, page 16*



# 8 Troubleshooting

| Problem  | Possible cause                              | Action  |
|--|---|---|
| 1. No sound  | Amplifier                                   | Verify all the electronics are on, the signal routing is correct, the source is active; the volume is turned up, etc.<br>Correct/repair/replace as necessary. If there is still no sound, the problem may be wiring.  |
|  | Wiring                                      | Verify you have connected the correct cables to the amplifier. Play something at a low level through the amplifier. Connect a test loudspeaker in parallel with the malfunctioning line. If the sound level is gone or is very weak, the line has a short in it (possibly a severe scrape, pinch, or a missed connection). Using the test loudspeaker, move down the line and test each connection/junction until you find the problem and correct it. Observe proper polarity. |
| 2. Intermittent output such as crackling or distortion               | Faulty connection                           | Check all connections at amplifier and loudspeakers to ensure they are all clean and tight. If the problem persists, check the wiring. See problem 1.   |
| 3. Constant noise such as buzzing hissing or humming                 | Defective source or other electronic device | If noise is present, but no program material is playing, evaluate each component as necessary to isolate the problem. Most likely there is a break in the signal path.  |
|  | Poor system grounding or ground loop        | Check and correct the system grounding, as required.  |
|  | Input gain knob is not in the MIC position  | Slowly increase the input gain knob level to engage the microphone pre-amp.   |
| 4. No sound produced with microphone connected to INPUT 1 or INPUT 2 | Microphone requires phantom power.          | Use a dynamic microphone that does not require phantom power (+15 V). If using a microphone requiring phantom power, enable PHANTOM POWER in the DSP menu, or use an external phantom power source.   |
|  | Input gain knob is not in the MIC position  | Slowly increase the input gain knob level to engage the microphone pre-amp.   |

| Problem  | Possible cause   | Action   |
|--|--|--|
| 5. Sound is distorted front LED is OFF, LCD screen LIMIT is ON         | Excessive input level  | Reduce the input level or loudspeaker level knobs to prevent limit.  |
|  | Incorrect gain structure or source input (mixing console/preamp) is overdriven | Verify level controls of the source are properly structured by using the VU meter indicator on the LCD screen. If the VU meter bar is solid or the system indicates LIMIT, the input or source level is too high.  |
| 6. Microphone produces acoustic feedback when input level is amplified | Incorrect gain structure   | Reduce the microphone levels at the mixing console or input source. If the microphone is connected directly to the speaker, reduce the input level on the speaker. Positioning the microphone close to the sound source increases gain-before-feedback. See problem 6. |
|  | MODE is set to MUSIC   | Change the MODE to LIVE or SPEECH.   |
|  | Microphone position is too close to the front of the loudspeaker               | Whenever possible setup the loudspeakers so the microphone is behind them. If using the loudspeaker in a monitor position, aim the loudspeaker to the back of the microphone.  |
| 7. DSP menu is locked  | The Menu Lock function has been turned on.                                     | Press and hold the MASTER VOL knob for 5 seconds.  |
| 8. QuickSmart Mobile app does not detect the loudspeaker               | Enable Bluetooth®  | Ensure Bluetooth® is enabled on the loudspeaker.   |

If these suggestions do not solve your problem, contact your nearest Electro-Voice dealer or Electro-Voice distributor.

## 9 Technical data

|                                |  |
|--------------------------------|--|
| Frequency Response (-3 dB):    | 43 Hz - 20 KHz <sup>1</sup>  |
| Frequency Range (-10 dB):      | 37 Hz - 20 KHz <sup>1</sup>  |
| Maximum SPL:                   | 127 dB <sup>2</sup>  |
| Coverage (H x V):              | 120° x 40°   |
| Amplifier Rating:              | 1000 W   |
| LF Channel Rating:             | 500 W  |
| HF Channel Rating:             | 500 W  |
| Crossover Frequency:           | 200 Hz   |
| Connectors:                    | 2x XLR/TRS Combo Jack Input<br>1x 3.5 mm Input<br>1x Stereo RCA Input<br>1x Wireless Bluetooth® Audio Input<br>1x XLR THRU Output<br>1x XLR MIX OUT Output |
| Enclosure:                     | Sub: 15 mm plywood<br>Column: Composite<br>Pole: Aluminum  |
| Grille:                        | Steel with black or white powder coat  |
| Color:                         | Black or white   |
| Dimensions (HxWxD):<br>mm (in) | Sub: 530 x 345 x 471 (20.9 x 13.6 x 18.5)<br>Column: 825 x 102 x 172 (32.5 x 4.0 x 6.9)<br>Pole: 929 x 48.5 x 55 (36.6 x 1.9 x 2.2)                        |
| Net Weight:                    | Sub: 44.66 lb (20.3 kg)<br>Column: 10.34 lb (4.7 kg)<br>Pole: 2.75 lb (1.25 kg)<br>Sub cover: 0.9 lb (0.4 kg)<br>Bag for column and pole: 1.87 (0.85 kg)   |
| Shipping Weight:               | Sub box: 50.71 lb (23 kg)<br>Column box: 18.30 lb (8.3 kg)   |
| Power Consumption:             | 100 - 240 V AC, 50 - 60 Hz, 1.5 - 0.6 A <sup>3</sup>   |

<sup>1</sup>Full-space measurement using music DSP preset.

<sup>2</sup>Maximum SPL is measured at 1 m using broadband pink noise at maximum output.

<sup>3</sup>Current rating is 1/8 power.

# 9.1 Dimensions

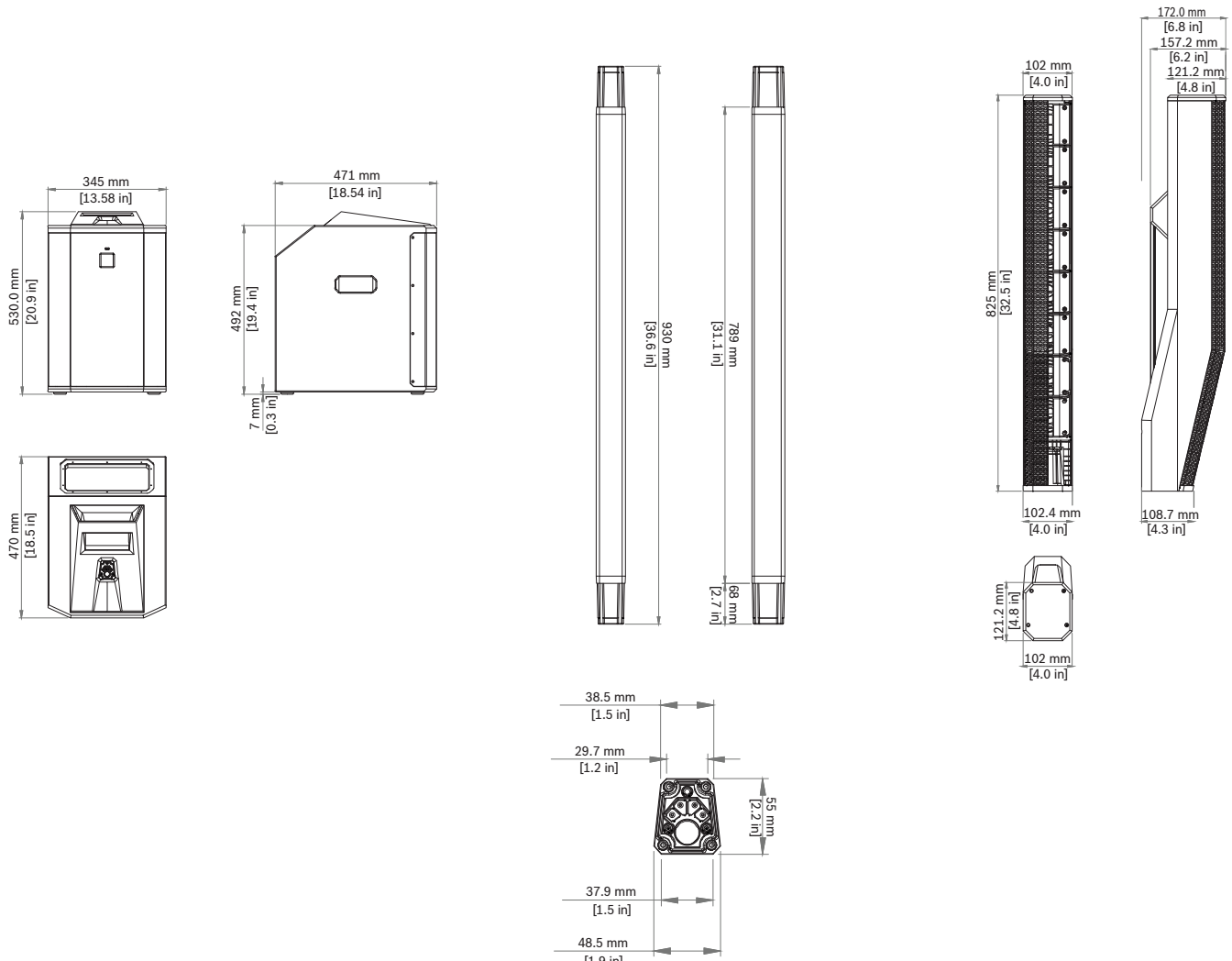


Figure 9.1: Dimensions EVOLVE 50 (subwoofer left, spacer center, and column right)

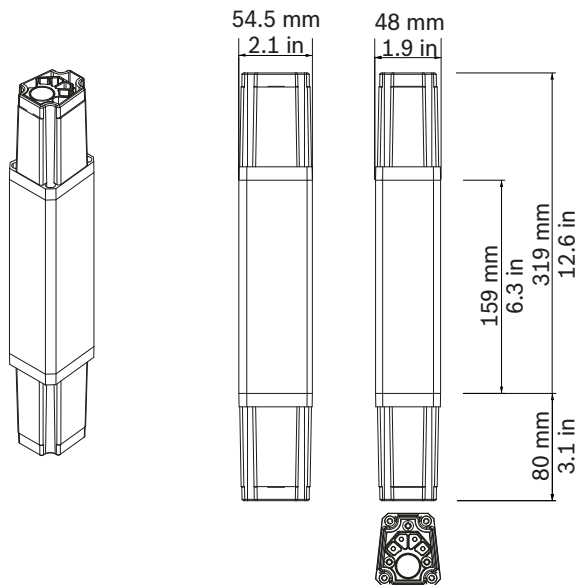


Figure 9.2: Dimensions EVOLVE 50 short pole

## 9.2 Frequency response

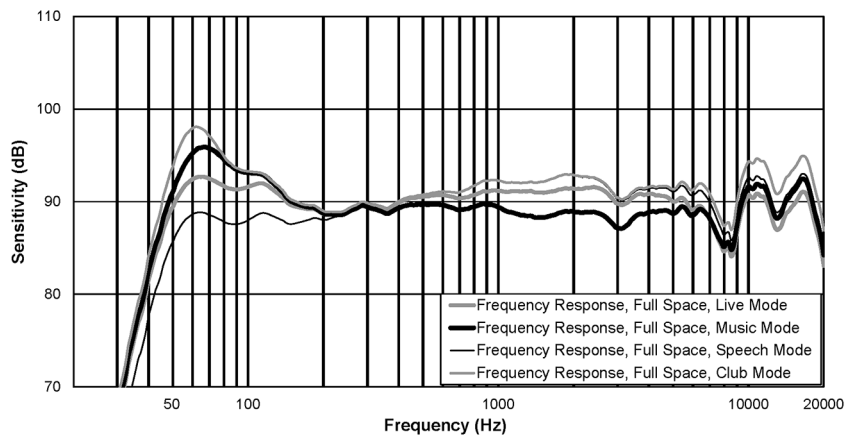
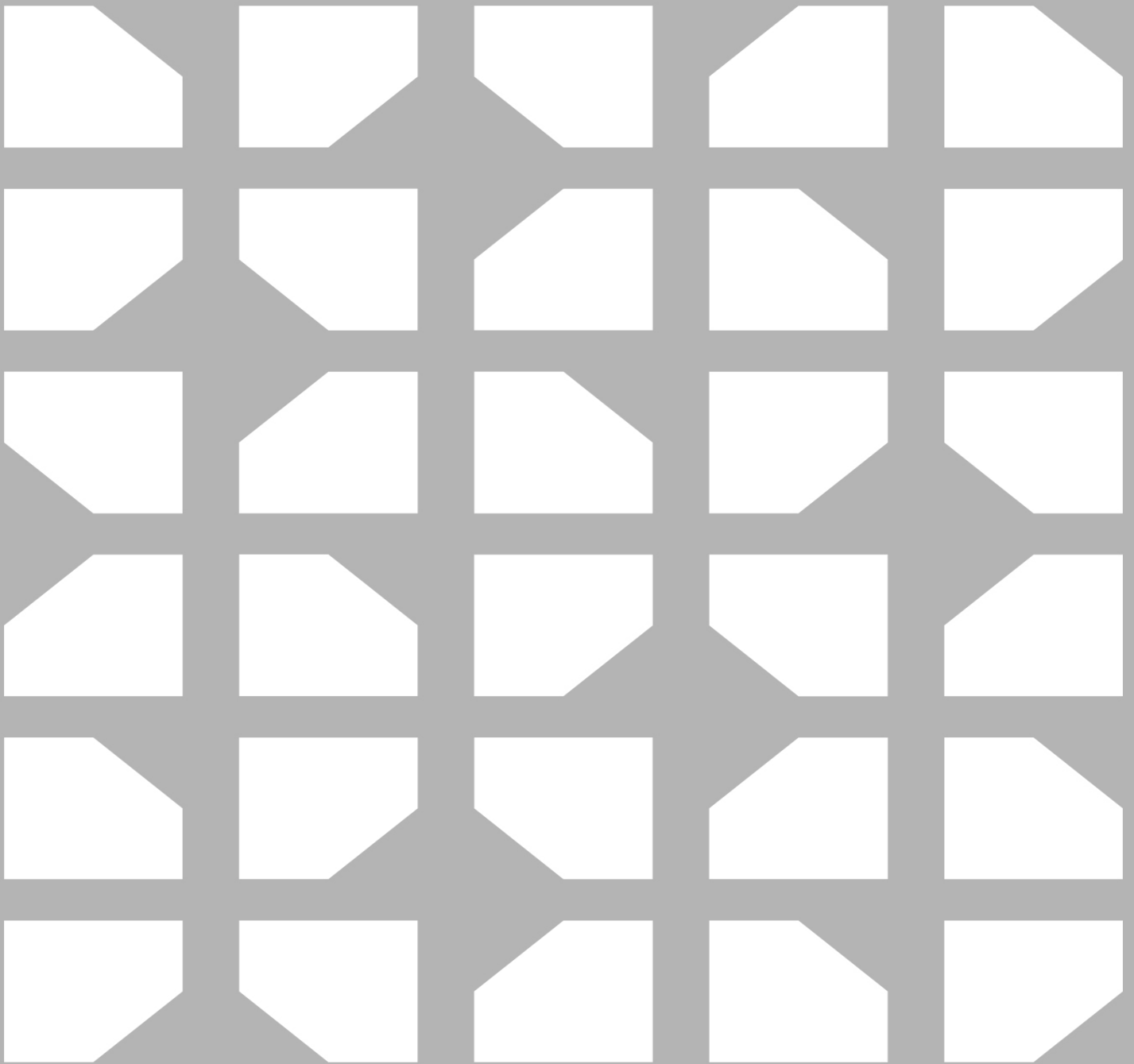


Figure 9.3: Frequency response EVOLVE 50 (Live Mode, Music Mode, Speech mode, and Club Mode)







**Bosch Sicherheitssysteme GmbH**

Robert-Bosch-Ring 5  
85630 Grasbrunn  
Germany

**[www.boschsecurity.com](http://www.boschsecurity.com)**

© Bosch Sicherheitssysteme GmbH, 2018

**Bosch Security Systems, Inc**

12000 Portland Avenue South  
Burnsville MN 55337  
USA

**[www.electrovoice.com](http://www.electrovoice.com)**