

BT-PROFILE160 LED



Operation Manual EN
Mode d'emploi FR
Gebruiksaanwijzing NL
Bedienungsanleitung DE
Manual de instrucciones ES

CE

Version: 1.0

BriteQ[®]
LIGHT RESEARCH



EN - DISPOSAL OF THE DEVICE

Dispose of the unit and used batteries in an environment friendly manner according to your country regulations.

FR - DÉCLASSER L'APPAREIL

Débarrassez-vous de l'appareil et des piles usagées de manière écologique conformément aux dispositions légales de votre pays.

NL - VERWIJDEREN VAN HET APPARAAT

Verwijder het toestel en de gebruikte batterijen op een milieuvriendelijke manier conform de in uw land geldende voorschriften.

DU - ENTSORGUNG DES GERÄTS

Entsorgen Sie das Gerät und die Batterien auf umweltfreundliche Art und Weise gemäß den Vorschriften Ihres Landes.

ES - DESHACERSE DEL APARATO

Reciclar el aparato y pilas usadas de forma ecologica conforme a las disposiciones legales de su país.

PT - COMO DESFAZER-SE DA UNIDADE

Tente reciclar a unidade e as pilhas usadas respeitando o ambiente e em conformidade com as normas vigentes no seu país.

OPERATION MANUAL

Thank you for buying this BRITEQ® product. To take full advantage of all possibilities and for your own safety, please read these operating instructions very carefully before you start using this unit.

FEATURES

This unit is radio-interference suppressed. This product meets the requirements of the current European and national guidelines. Conformity has been established and the relevant statements and documents have been deposited by the manufacturer.

- This device was designed to produce decorative effect lighting and is used in light show systems.
- This LED profile spot based on high power LED technology
- It's a perfect replacement for the halogen units with high power consumption!
- Rugged die-cast and extruded aluminum construction
- For your convenience the projector is sold as two separate parts:

- **BT-PROFILE160/LED ENGINE**

- Equipped with a high power 160W COB LED, 3200K color temp.
- Extremely silent cooling system using heat pipe technology
- Compatible with ETC Source Four-optics
- LCD-screen for easy settings.
- 3 working modes:
 - Manual 16bit dimmer (can be adjusted on the projector, 65535 dimmer steps)
 - DMX 8bit dimming (1fader)
 - DMX 16bit dimming (2faders: coarse + fine)
- Different dimmer curves:
 - Linear
 - Square law
 - Inverse square law
 - S-curve
- Insulated rear handle

- **BT-PROFILE160/OPTIC**

- Specially coated optics for sharply defined crisp projections
- Four profile blades, specially coated for minimum reflections
- Two different optical units with adjustable zoom are available:
 - "BT-PROFILE160/OPTIC 15-30" (order code: 6001): 15°-30° zoom range
 - "BT-PROFILE160/OPTIC 25-50" (order code: 6002): 25°-50° zoom range
- Lockable compartment for use of the optionally available:
 - **GOBO Holder** ("BT-PROFILE160/GOBO HOLDER", order code: 6003)
Outer diameter gobos: 86mm, optical diameter: 64.5mm
 - **IRIS** ("BT-PROFILE160/IRIS", order code: 6004)
Aperture diameter: adjustable from 5mm to 74mm
- Combined zoom/focus operation with locking mechanism
- Lockable lens compartment: easy access for internal lens cleaning
- Can replace ETC Source Four-optics
- Optical barrel can be rotated and locked I any position

BEFORE USE

- Before you start using this unit, please check if there's no transportation damage. Should there be any, do not use the device and consult your dealer first.
- **Important:** This device left our factory in perfect condition and well packaged. It is absolutely necessary for the user to strictly follow the safety instructions and warnings in this user manual. Any damage caused by mishandling is not subject to warranty. The dealer will not accept responsibility for any resulting defects or problems caused by disregarding this user manual.
- Keep this booklet in a safe place for future consultation. If you sell the fixture, be sure to add this user manual.

Check the contents:

Check that the carton contains the following items:

- User manual
- LED ENGINE 160W or OPTICS (15°-30° or 25°-50°)

SAFETY INSTRUCTIONS:



CAUTION
RISK OF ELECTRIC SHOCK
DO NOT OPEN



CAUTION: To reduce the risk of electric shock, do not remove the top cover. No user-serviceable parts inside. Refer servicing to qualified service personnel only.



The lightning flash with arrowhead symbol within the equilateral triangle is intended to alert the user or the presence of un-insulated "dangerous voltage" within the product's enclosure that may be of sufficient magnitude to constitute a risk of electric shock.



The exclamation point within the equilateral triangle is intended to alert the user to the presence of important operation and maintenance (servicing) instructions in the literature accompanying this appliance.



This symbol means: indoor use only



This symbol means: Read instructions



This symbol means: Safety Class I appliance



This symbol determines: the minimum distance from lighted objects. The minimum distance between light-output and the illuminated surface must be more than 1 meters



The device is not suitable for direct mounting on normally flammable surfaces. (suitable only for mounting on non-combustible surfaces)

RISK GROUP 2
CAUTION:
Do not stare at operating lamp

CAUTION: Do not stare at operating lamp.
May be harmful to the eyes.

- To protect the environment, please try to recycle the packing material as much as possible.
- To prevent fire or shock hazard, do not expose this appliance to rain or moisture.
- To avoid condensation to be formed inside, allow the unit to adapt to the surrounding temperatures when bringing it into a warm room after transport. Condense sometimes prevents the unit from working at full performance or may even cause damages.
- This unit is for indoor use only.
- Don't place metal objects or spill liquid inside the unit. Electric shock or malfunction may result. If a foreign object enters the unit, immediately disconnect the mains power.
- Locate the fixture in a well ventilated spot, away from any flammable materials and/or liquids. The fixture must be fixed at least 50cm from surrounding walls.
- Don't cover any ventilation openings as this may result in overheating.
- Prevent use in dusty environments and clean the unit regularly.
- Keep the unit away from children.
- Inexperienced persons should not operate this device.
- Maximum safe ambient temperature is 40°C. Don't use this unit at higher ambient temperatures.
- Make sure the area below the installation place is free from unwanted persons during rigging, de-rigging and servicing.

- Allow the device about 10 minutes to cool down before to start servicing.
- Always unplug the unit when it is not used for a longer time or before to start servicing.
- The electrical installation should be carried out by qualified personal only, according to the regulations for electrical and mechanical safety in your country.
- Check that the available voltage is not higher than the one stated on the unit.
- The power cord should always be in perfect condition. Switch the unit immediately off when the power cord is squashed or damaged. It must be replaced by the manufacturer, its service agent or similarly qualified persons in order to avoid a hazard.
- Never let the power-cord come into contact with other cables!
- This fixture must be earthed in order to comply with safety regulations.
- Don't connect the unit to any dimmer pack.
- Always use an appropriate and certified safety cable when installing the unit.
- In order to prevent electric shock, do not open the cover. There are no user serviceable parts inside.
- **Never** repair a fuse or bypass the fuse holder. **Always** replace a damaged fuse with a fuse of the same type and electrical specifications!
- In the event of serious operating problems, stop using the fixture and contact your dealer immediately.
- The housing and the lenses must be replaced if they are visibly damaged.
- Please use the original packing when the device is to be transported.
- Due to safety reasons it is prohibited to make unauthorized modifications to the unit.

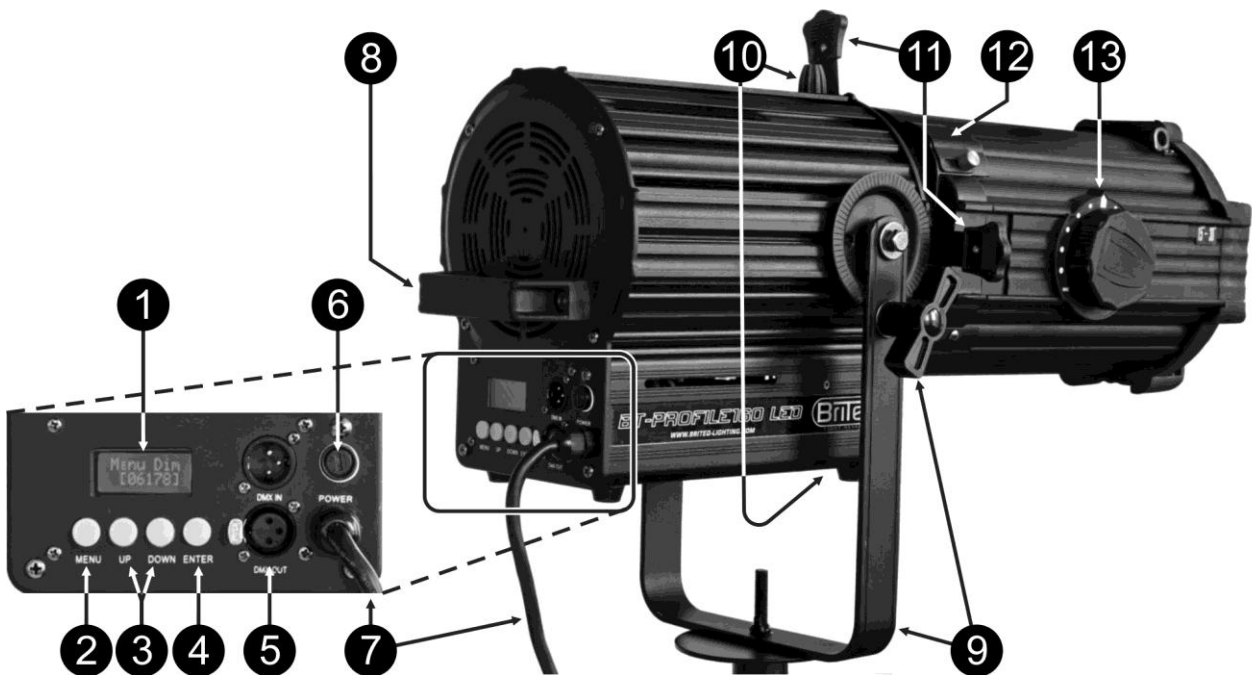
Important: Never look directly into the light source! Don't use the effect in the presence of persons suffering from epilepsy.

OVERHEAD RIGGING

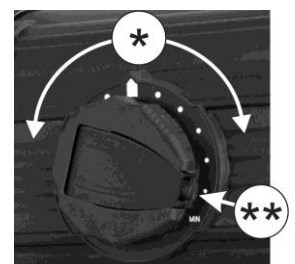
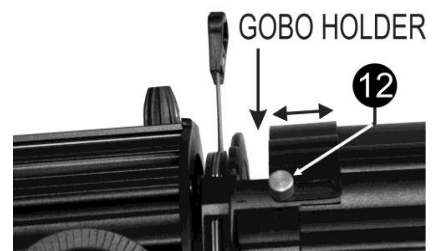
The projector can be put on any stable projector stand or you can hang it on the wall or ceiling. In that case please follow the safety instructions below to assure proper installation!

- **Important:** The installation must be carried out by qualified service personal only. Improper installation can result in serious injuries and/or damage to property. Overhead rigging requires extensive experience! Working load limits should be respected, certified installation materials should be used, the installed device should be inspected regularly for safety.
- Make sure the area below the installation place is free from unwanted persons during rigging, de-rigging and servicing.
- Locate the fixture in a well ventilated spot, far away from any flammable materials and/or liquids. The fixture must be fixed **at least 50cm** from surrounding walls.
- The device should be installed out of reach of people and outside areas where persons may walk by or be seated.
- Before rigging make sure that the installation area can hold a minimum point load of 10times the device's weight.
- Always use a certified safety cable that can hold 12 times the weight of the device when installing the unit. This secondary safety attachment should be installed in a way that no part of the installation can drop more than 20cm if the main attachment fails.
- The device should be well fixed; a free-swinging mounting is dangerous and may not be considered!
- Don't cover any ventilation openings as this may result in overheating.
- The operator has to make sure that the safety-relating and machine-technical installations are approved by an expert before using them for the first time. The installations should be inspected every year by a skilled person to be sure that safety is still optimal.

DESCRIPTION:

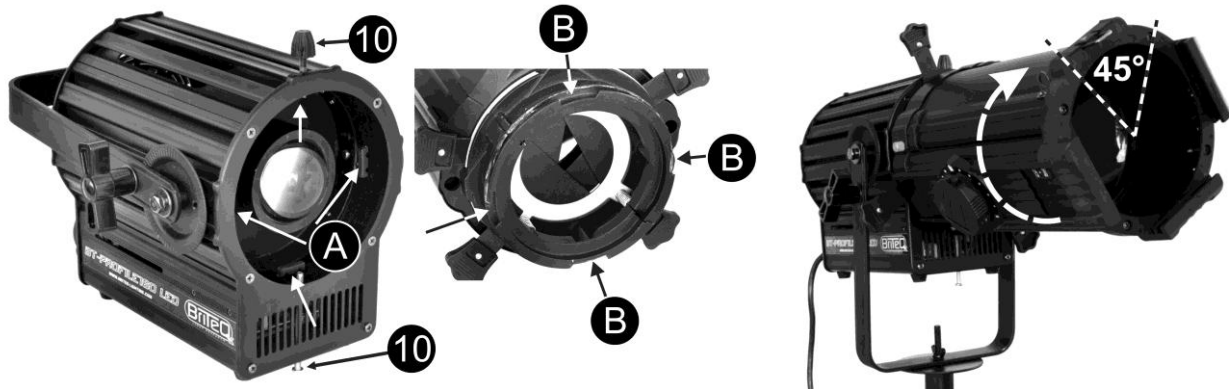


1. **DISPLAY:** Helps you with the configuration of the LED ENGINE. The backlight of the display starts flashing while the projector is in DMX-mode and no DMX is detected.
2. **MENU button:** used to browse the setup menu, with each button press you go to the next item.
3. **UP/DOWN buttons:** used to change the value of the selected feature.
4. **ENTER button:** used to confirm the selected selection, don't forget!
5. **DMX IN/OUT:** both 3pin and 5pin in/outputs are available to daisy chain the projector with other units that will be controlled by a DMX-controller.
6. **MAINS FUSE:** protects the unit in case of electrical problems, always use the prescribed fuse!
7. **MAINS CABLE:** used to connect the projector to 230V/50Hz, make sure it's always in perfect condition.
8. **HANDLE:** used to point the projector in the desired direction.
9. **BRACKET:** used to hang the projector or fix it to a floor stand, make sure the knob is well fastened.
10. **SECURITY KNOBS FOR OPTICS:** 2 knobs to prevent that the OPTICS can come loose from the LED ENGINE. To change the optics you should loosen both knobs, see further instructions in the next chapter. To simply turn the optics over a certain angle, you only have to loosen both knobs a little.
11. **PROFILE BLADES:** used to adjust the edges of the projected beam.
12. **GOBO/IRIS COMPARTMENT:** this compartment can receive the optionally available IRIS or GOBO holder. To reduce penetration of dust, the compartment can be closed.
13. **ZOOM / FOCUS KNOB:** knob used to adjust the beam angle from 15° to 30° or from 25° to 50°, depending on the optics installed. Press the lock button (***) to unlock the mechanism and turn the knob to the left/right (*) to increase or decrease the beam size. At the same time the focus will be automatically adapted. Lock the knob again (***) to assure that the setting stays unchanged.



INSTALLING THE OPTICS

For maximum flexibility the LED ENGINE and OPTICS are sold separately. Also you can install optics from some other brands which even increases flexibility for professional rental companies. In this chapter we describe how the install/exchange the optics on the LED ENGINE.



- A. Loosen the 2 security knobs (10) so it will be possible to fix the optics on the led engine.
- B. On the LED ENGINE you will notice 4 bulges (A)
- C. On the OPTICS you will see 4 notches (B)
- D. Take the OPTICS and turn is over about 45° so the 4 bulges (A) and 4 notches (B) are facing each other and the two parts fit into each other.
- E. Now rotate the OPTICS over about 45°: both parts are now joined together.
- F. Fasten the 2 security knobs (10) to assure that both parts stay together, also while turning the optics.

Remark: in the beginning it needs some practice to install and remove the optics on the LED Engine, after a while it will be a piece of cake for you!

OPERATING INSTRUCTIONS / SETUP MENU

The light output of the projector can be controlled manually or via DMX. Below we explain you the different functions of the setup menu:

DMX Address (DMX Addr)

Set the DMX address and use the projector in DMX-mode.

- Press the MENU-button (2) until the display shows “DMX Addr”
 - Press the UP/DOWN buttons (3) to set the desired DMX address.
 - Press the ENTER button (4) to confirm.
- ⇒ The display shows the DMX-address while the projector is now in working in DMX-mode.

Remark: If no DMX-signal is detected, the backlight will flash to indicate that there is a problem.

Manual Dimming (Manu Dim)

Setting the dimmer manually using the UP/DOWN buttons (3)

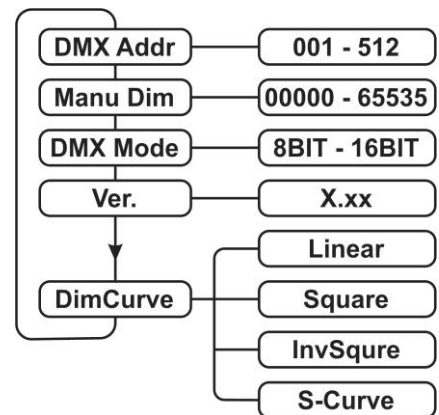
- Press the MENU-button (2) until the display shows “Manu Dim”
- Press the UP/DOWN buttons (3) to set the desired DMX address.
- Press the ENTER button (4) to confirm.

Important: if you don't confirm the dimmer value by pressing ENTER, the dimmer will (after 5secs) automatically return to the last setting.

DMX Mode

Used to select if the dimmer should work in 8bit or 16bit mode while controlled via DMX.

- Press the MENU-button (2) until the display shows “DMX Mode”
- Press the UP/DOWN buttons (3) to select one of the 2 options:
 - 8 BIT: dimmer controlled by 1 DMX channel, the 8bit dimmer has 256steps.
 - 16 BIT: dimmer controlled by 2 DMX channels, the 16bit dimmer has 65535steps and is thus more accurate, especially in the lower part of the dimmer curve.
- Press the ENTER button (4) to confirm.



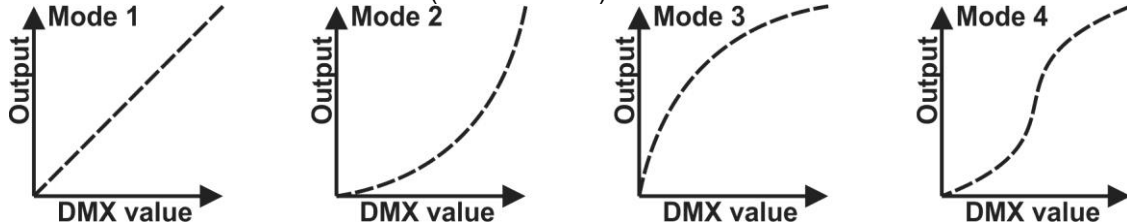
Firmware version (Ver.)

Shows the actual version of the controller.

- Press the MENU-button (2) until the display shows “Ver.”
- ⇒ The display shows the actual firmware version.

Dimmer behavior (DimCurve)

Used to select the behavior of the dimmer (dimmer curve).



- Press the MENU-button (2) until the display shows “DimCurve”
- Press the UP/DOWN buttons (3) to select one of the 4 available curves (see drawings):
 - **Linear** (Mode 1): light output varies linearly with the dimmer value
 - **Square** (Mode 2): light output can be adjusted more accurately for low dimmer values
 - **InvSquare** (Mode 3): light output can be adjusted more accurately for high dimmer values.
 - **S-Curve** (Mode 4): light output can be adjusted more accurately for both high and low dimmer values.
- Press the ENTER button (4) to confirm.

Some extra safety remarks:

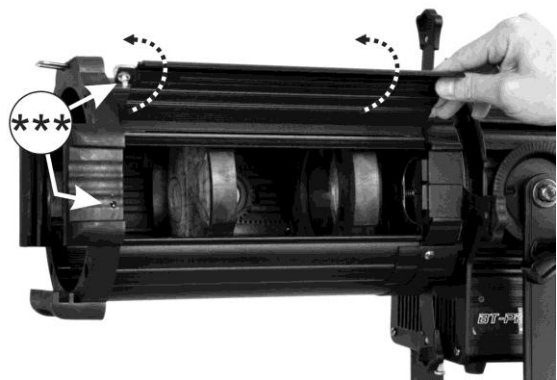
- *Always unplug the unit when it is not used for a longer time or before to start servicing.*
- *In the event of serious operating problems, stop using the fixture and contact your dealer immediately.*
- **Important:** *Never look directly into the light source! Don't use the strobe function in the presence of persons suffering from epilepsy.*

MAINTENANCE

- Make sure the area below the installation place is free from unwanted persons during servicing.
- Switch off the unit, unplug the mains cable and wait until the unit has been cooled down.

During inspection the following points should be checked:

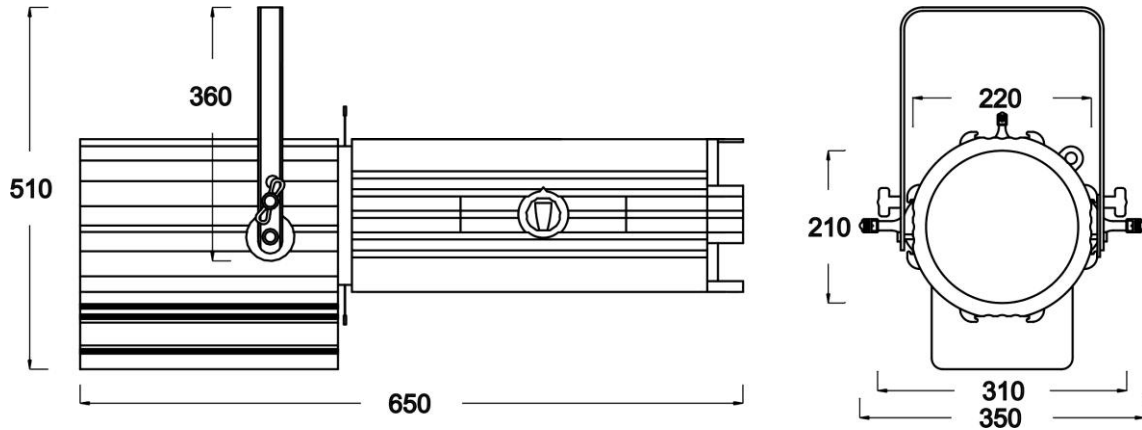
- All screws used for installing the device and any of its parts should be tightly fastened and may not be corroded.
- Housings, fixations and installations spots (ceiling, truss, suspensions) should be totally free from any deformation.
- When an optical lens is visibly damaged due to cracks or deep scratches, it must be replaced.
- The mains cables must be in impeccable condition and should be replaced immediately when even a small problem is detected.
- In order to protect the device from overheat the cooling fans and ventilation openings should be cleaned monthly.
- The interior of the device should be cleaned periodically using a vacuum cleaner or air-jet.
- The cleaning of internal and external optical lenses must be carried out periodically to optimize light output. Cleaning frequency depends on the environment in which the fixture operates: damp, smoky or particularly dirty surroundings can cause greater accumulation of dirt on the unit's optics.
 - The lens compartment can be opened for easy access to the lenses, see picture: turn the small silver knob (***) to unlock the cover that closes the lens compartment and open it.
 - Clean the lenses inside with a soft cloth using normal glass cleaning products.
 - Always dry the parts carefully.



Attention: We strongly recommend internal cleaning to be carried out by qualified personnel!

SPECIFICATIONS

Mains Input:	110Vac 60Hz / 230Vac 50Hz
Power consumption:	165 Watt at max output
Fuse:	250V 3A slow blow (20mm glass)
DMX connections:	3pin XLR male / female
DMX channels used:	1ch (8 bit) ~ 2ch (16 bit)
Lamp:	160W COB LED-engine white 3200K, CRI: ± 88
Size:	see drawings
Weight:	6,10 kg (LED ENGINE) 5,25 kg (OPTICS)



The information might be modified without prior notice
You can download the latest version of this user manual on our website: www.briteq-lighting.com

GUIDE D'UTILISATION

Nous vous remercions d'avoir acheté ce produit BRITEQ®. Pour tirer pleinement profit de toutes les possibilités et pour votre propre sécurité, lisez ces instructions très attentivement avant d'utiliser cet appareil.

CARACTÉRISTIQUES

Cet appareil ne produit pas d'interférences radio. Ce produit répond aux exigences des directives européennes et nationales actuelles. La conformité a été établie et les déclarations et documents correspondants ont été déposés par le fabricant.

- Cet appareil a été conçu pour produire un effet d'éclairage décoratif et est utilisé dans les systèmes de jeu de lumière.
- Découpe à LED COB de haute puissance 160W
- C'est un substitut idéal des projecteurs halogènes à forte consommation d'énergie !
- Construction robuste en aluminium profilé
- Pour des raisons pratiques, le projecteur est vendu en deux parties distinctes :
 - **BT-PROFILE160/LED ENGINE**
 - Équipé de LED COB d'une grande puissance 160W avec une température de couleur de 3200K
 - Système de refroidissement extrêmement silencieux utilisant la technologie caloduc
 - Compatible avec l'optique « Source Four » d'ETC
 - Ecran LCD pour faciliter les réglages.
 - 3 modes de fonctionnement :
 - Gradateur 16 bits manuel (peut être réglé sur le projecteur, 65535 niveaux de gradation)
 - Gradation DMX 8 bits (1 canal / potentiomètre de réglage)
 - Gradation DMX 16 bits (2 canaux / potentiomètres de réglage : grossier + fin)
 - Différentes courbes de gradation :
 - Linéaire
 - Loi du carré
 - Loi de l'inverse du carré
 - Courbe S
 - Poignée arrière isolée
 - **BT-PROFILE160/OPTIC**
 - Éléments optiques à revêtement spécial pour des projections nettes et bien définies
 - Quatre pales profilées, à revêtement spécial pour des réflexions minimales
 - Deux unités optiques distinctes avec zoom réglable sont disponibles :
 - "BT-PROFILE160/OPTIC 15-30" (Code de commande : 6001) : Plage de zoom 15°-30°
 - "BT-PROFILE160/OPTIC 25-50" (Code de commande : 6002) : Plage de zoom 25°-50°
 - Compartiment verrouillable pour l'utilisation des options disponibles :
 - **Porte GOBO** ("BT-PROFILE160/GOBO HOLDER", Code de commande : 6003)
diamètre extérieur des gobos : 86mm, diamètre optique : 64,5mm
 - **IRIS** ("BT-PROFILE160/IRIS", Code de commande : 6004)
Diamètre d'ouverture : réglable de 5 à 74 mm
 - Utilisation du zoom/focus combiné avec mécanisme de verrouillage
 - Compartiment à lentille verrouillable : accès facile pour le nettoyage de la lentille interne
 - Peut remplacer l'optique « Source Four » d'ETC
 - Cylindre optique rotatif peut être orienté et verrouillé dans n'importe quelle position

AVANT UTILISATION

- Avant d'utiliser cet appareil, vérifiez s'il n'a pas été endommagé durant le transport. En cas de dommages, n'utilisez pas l'appareil et consultez immédiatement votre revendeur.
- **Important** : Cet appareil est expédié de notre usine en parfait état et bien emballé. Il est absolument nécessaire que l'utilisateur suive strictement les instructions et les avertissements de sécurité se trouvant dans ce manuel. Tout dommage dû à une mauvaise manipulation n'est pas garanti. Le revendeur n'accepte aucune responsabilité pour tous les défauts et problèmes dus au non-respect de ce manuel.

- Conservez ce manuel dans un endroit sûr pour toute consultation future. Si vous vendez l'appareil, veuillez à joindre ce manuel.

Vérifiez le contenu :

Vérifiez que le carton contient les éléments suivants :

- Guide d'utilisation
- MOTEUR LED de 160W ou ELEMENTS OPTIQUES (15°-30° ou 25°-50°)

INSTRUCTIONS DE SÉCURITÉ :



CAUTION
RISK OF ELECTRIC SHOCK
DO NOT OPEN



ATTENTION : Pour réduire le risque de choc électrique, ne retirez pas le panneau supérieur. L'appareil ne contient aucun composant réparable par l'utilisateur. Confiez toute réparation à un personnel qualifié uniquement.



Le symbole de l'éclair à l'intérieur d'un triangle équilatéral, est destiné à alerter l'utilisateur de la présence de « tensions dangereuses » non isolées à l'intérieur de l'appareil, d'une magnitude pouvant constituer un risque d'électrocution.



Le symbole du point d'exclamation dans un triangle équilatéral sert à avertir l'utilisateur que d'importants conseils d'utilisation et de maintenance sont fournis dans la documentation accompagnant l'appareil.



Ce symbole signifie : pour usage intérieur uniquement



Ce symbole signifie : Lisez les instructions



Ce symbole signifie : Appareil de Classe de sécurité I



Ce symbole détermine : la distance minimale requises avec les objets éclairés. La distance minimale entre la sortie de lumière et la surface éclairée doit être supérieure à un 1 mètre



Cet appareil n'est pas adapté pour un montage direct sur des surfaces normalement inflammables. (ne convient que pour le montage sur surfaces non combustibles)

RISK GROUP 2
CAUTION:
Do not stare at operating lamp

ATTENTION : Ne fixez pas votre regard sur une lampe allumée.
Peut être nocif pour les yeux.

- Pour protéger l'environnement, essayer de recycler autant que possible les matériaux d'emballage.
- Pour éviter tout incendie ou électrocution, n'exposez pas cet appareil à la pluie ou l'humidité.
- Pour éviter une formation de condensation interne, laissez l'appareil s'adapter à la température ambiante quand vous le mettez dans une pièce chaude après le transport. La condensation empêche parfois l'appareil de fonctionner à plein rendement ou peut même causer des dommages.
- Cet appareil est destiné à un usage intérieur seulement.
- Ne placez pas d'objets métalliques et ne renversez pas de liquides à l'intérieur de l'appareil. Un choc électrique ou un dysfonctionnement peut en résulter. Si un corps étranger pénètre dans l'appareil, débranchez immédiatement le cordon d'alimentation de la prise secteur.
- Placez l'appareil dans un endroit bien aéré, loin de tout matériau et/ou liquide inflammable. L'appareil doit être fixé à au moins 50cm des murs environnants.
- Ne couvrez pas les ouvertures de ventilation, cela pourrait entraîner une surchauffe.
- Évitez une utilisation dans des environnements poussiéreux et nettoyez l'appareil régulièrement.
- Gardez l'appareil loin de la portée des enfants.
- Les personnes inexpérimentées ne doivent pas utiliser cet appareil.
- La température ambiante de fonctionnement maximale est de 40°C. N'utilisez pas cet appareil à des températures ambiantes plus élevées.
- Assurez-vous qu'aucune personne étrangère ne se trouve dans la zone en dessous de l'emplacement d'installation durant le montage, le démontage et l'entretien.
- Laissez environ 10 minutes à l'appareil pour refroidir avant de commencer l'entretien.
- Débranchez toujours l'appareil lorsqu'il ne va pas être utilisé pendant une longue période ou avant de commencer l'entretien.
- L'installation électrique doit être effectuée par du personnel qualifié, conformément à la réglementation en matière de sécurité électrique et mécanique dans votre pays.

- Vérifiez que la tension secteur n'est pas supérieure à celle indiquée sur l'appareil.
- Le cordon d'alimentation doit toujours être en parfait état. Éteignez immédiatement l'appareil dès que le cordon d'alimentation est écrasé ou endommagé. Il doit être remplacé par le fabricant, son agent de service ou une personne de même qualification afin d'éviter tout danger.
- Ne laissez jamais le cordon d'alimentation ENTRER en contact avec d'autres câbles !
- Ce luminaire doit être mis à la terre pour être conforme réglementation en matière de sécurité.
- Ne connectez pas l'appareil à un gradateur de lumière.
- Utilisez toujours un câble de sécurité approprié et certifié lors de l'installation de l'appareil.
- Afin d'éviter un choc électrique, n'ouvrez aucun panneau. L'appareil ne contient aucun composant réparable par l'utilisateur.
- Ne réparez **jamais** un fusible et ne court-circuitez jamais le porte-fusible. Remplacez **toujours** un fusible endommagé par un fusible du même type ayant les mêmes spécifications électriques !
- En cas de sérieux problèmes de fonctionnement, cessez d'utiliser l'appareil et contactez immédiatement votre revendeur.
- Le boîtier et l'objectif doivent être remplacés s'ils sont visiblement endommagés.
- Utilisez l'emballage d'origine pour transporter l'appareil.
- Pour des raisons de sécurité, il est interdit d'apporter des modifications non autorisées à l'appareil.

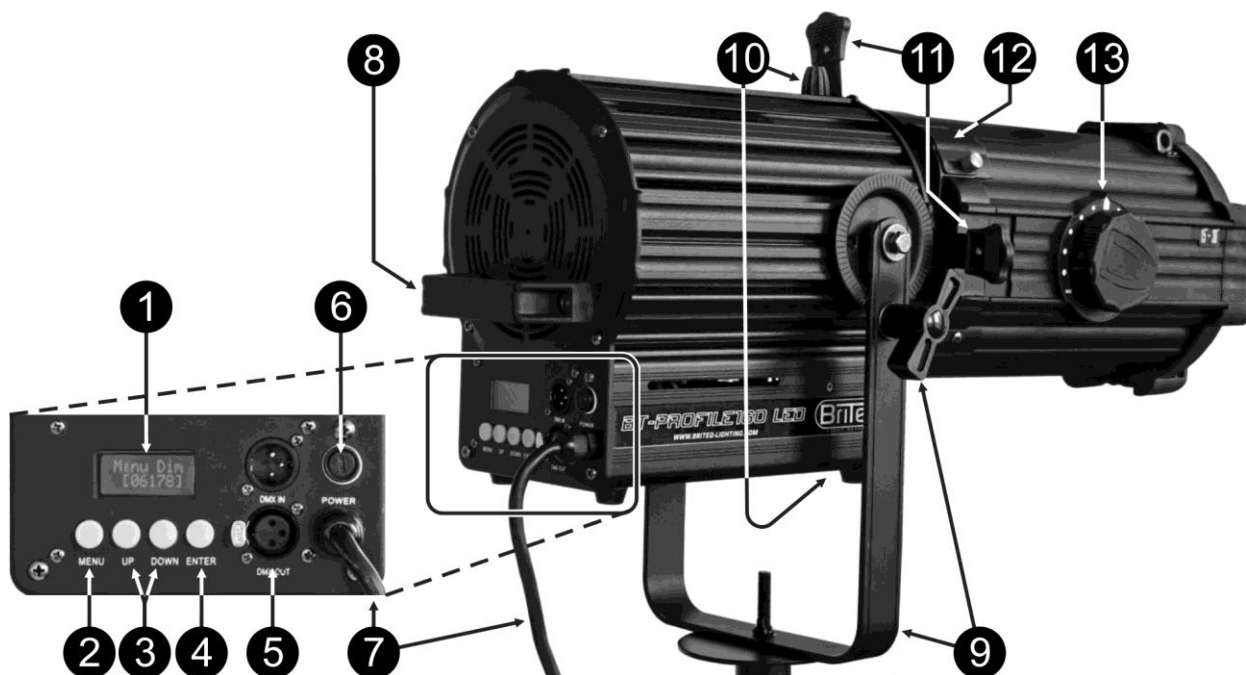
Important : Ne regardez jamais directement la source de lumière ! N'utilisez pas le jeu de lumière en présence de personnes souffrant d'épilepsie.

MONTAGE AU PLAFOND

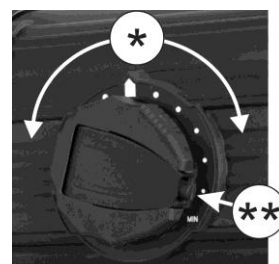
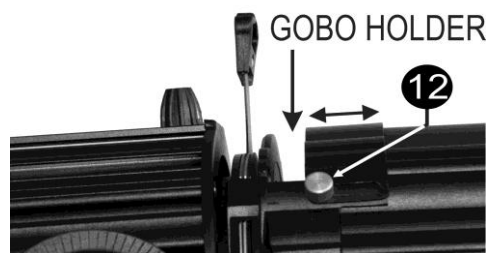
Le projecteur peut être placé sur tout support de projecteur stable ou accroché au mur ou au plafond. Dans ce cas, suivez les consignes de sécurité ci-dessous pour assurer une bonne installation !

- **Important :** L'installation ne doit être effectuée que par un personnel qualifié. Une mauvaise installation peut entraîner des blessures et/ou dommages graves. Un montage au plafond exige une grande expérience ! Les limites de charge de fonctionnement doivent être respectées, des matériels d'installation certifiés doivent être utilisés, l'appareil installé doit être inspecté régulièrement pour vérifier les conditions de sécurité.
- Assurez-vous qu'aucune personne étrangère ne se trouve dans la zone en dessous de l'emplacement d'installation durant le montage, le démontage et l'entretien.
- Fixez l'appareil dans un endroit bien aéré, loin de tout matériau et/ou liquide inflammable. L'appareil doit être **fixé à au moins 50cm** des murs environnants.
- L'appareil doit être installé hors de la portée des gens, loin des passages et des endroits où des personnes peuvent aller et venir, et s'asseoir.
- Avant de soulever l'appareil, assurez-vous que le point de suspension peut supporter une charge d'au moins 10 fois le poids de l'appareil.
- Lors de l'installation, utilisez toujours un câble de sécurité certifié qui peut supporter 12 fois le poids de l'appareil. Ce support de suspension de sécurité secondaire doit être installé de manière à ce qu'aucune partie de l'installation ne puisse tomber de plus de 20 cm si le support principal lâche.
- L'appareil doit être bien fixé, un montage balançant est dangereux et ne doit pas être entrepris !
- Ne couvrez pas les ouvertures de ventilation, cela pourrait entraîner une surchauffe.
- L'opérateur doit s'assurer que la sécurité relative à l'installation et les conditions techniques sont approuvées par un expert avant d'utiliser l'appareil pour la première fois. Les installations doivent être inspectées chaque année par une personne qualifiée pour être sûr que la sécurité est toujours optimale.

DESCRIPTION :

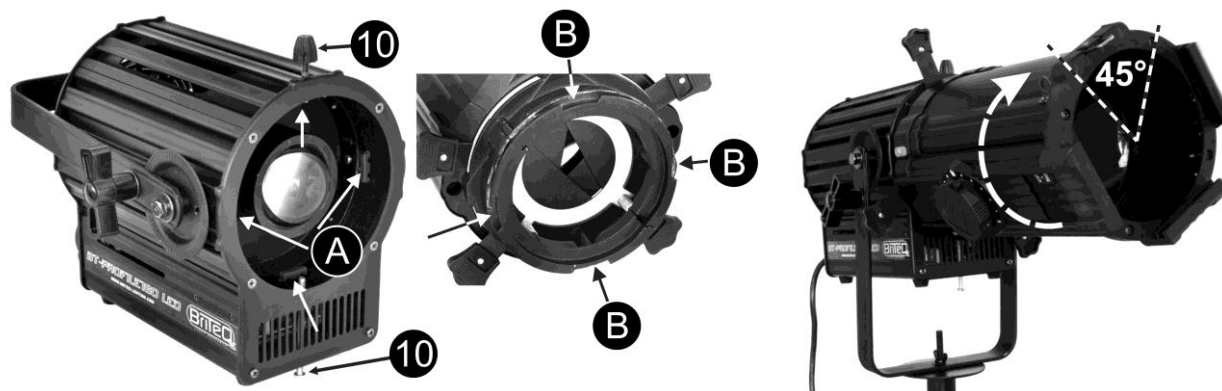


1. **ÉCRAN** : Vous aide à configurer le LED ENGINE. Le rétroéclairage de l'écran se met à clignoter lorsque le projecteur est en mode DMX et si aucun DMX n'est détecté.
2. **Touche MENU** : Permet de naviguer dans le menu de configuration, chaque pression vous fait passer à l'élément suivant.
3. **Touche Haut/Bas** : permet de changer la valeur de la fonction sélectionnée.
4. **Touche ENTER** : Permet de confirmer la sélection, à ne pas oublier !
5. **ENTREE/SORTIE DMX PROJECTEUR** : des entrées/sorties 3 et 5 broches sont disponibles pour la connexion en série du projecteur avec d'autres unités qui seront contrôlées par un contrôleur DMX.
6. **FUSIBLE SECTEUR** : protège l'appareil en cas de problèmes électriques, utilisez toujours un fusible du type recommandé !
7. **Câble d'alimentation secteur** Permet de brancher le projecteur à une prise secteur 230V/50Hz, assurez-vous qu'il est toujours en parfait état.
8. **POIGNÉE** : Permet d'orienter le projecteur dans la direction souhaitée.
9. **SUPPORT** : Permet de suspendre le projecteur ou le fixer à un support au sol, assurez-vous que le bouton est bien vissé.
10. **BOUTONS DE SÉCURITÉ POUR LES ELEMENTS OPTIQUES** : 2 boutons pour éviter que les éléments optiques OPTICS ne se détachent du LED ENGINE. Pour changer les éléments optiques, vous devez desserrer les deux boutons, plus d'instructions se trouvent dans le prochain chapitre. Il suffit de desserrer les deux boutons pour pouvoir orienter les éléments optiques d'un certain angle.
11. **PALES PROFILEES** : Permettent de régler les bords du faisceau projeté.
12. **COMPARTIMENT DES MOTIFS DE PROJECTION/IRIS** : Ce compartiment peut recevoir l'iris ou le porte motifs de projection en option. Le compartiment peut être fermé pour réduire la pénétration de poussière.
13. **BOUTON ZOOM/FOCUS** : bouton permettant de régler l'angle de faisceau de 15° à 30° ou de 25° à 50°, en fonction des éléments optiques installés. Appuyez sur le bouton de verrouillage (**) pour déverrouiller le mécanisme et tournez le bouton vers la gauche/droite (*) pour augmenter ou diminuer la taille du faisceau. La mise au point sera automatiquement adaptée. Verrouillez à nouveau le bouton (**) pour assurer que le réglage reste inchangé.



INSTALLATION DES ELEMENTS OPTIQUES

Pour une plus grande flexibilité, LED ENGINE et OPTICS sont vendus séparément. Les éléments optiques peuvent être d'autres marques, cela augmente encore la flexibilité pour les entreprises de location professionnelles. Dans ce chapitre, nous allons décrire comment installer/remplacer les éléments optiques du LED ENGINE.



- Desserrez les 2 boutons de sécurité (10) de manière à pouvoir fixer l'optique sur le LED ENGINE.
- Vous remarquerez 4 saillies (A) sur le LED ENGINE
- Les éléments optiques OPTICS comportent 4 encoches (B)
- Faites tourner les éléments optiques OPTICS d'environ 45° de manière que les 4 saillies (A) et les 4 encoches (B) soient alignées et s'emboîtent l'une dans l'autre.
- Faites tourner les éléments optiques OPTICS d'environ 45° : les deux composants sont désormais joints ensemble.
- Serrez les 2 boutons de sécurité (10) pour assurer que les deux composants restent joints ensemble, tout tournant également les éléments optiques.

Remarque : au début, vous aurez besoin d'un peu de pratique pour installer et enlever les éléments optiques du moteur LED, après un certain temps, ça sera trop facile !

MODE D'EMPLOI/MENU CONFIGURATION

La lumière projetée peut être contrôlée manuellement ou via un contrôleur DMX. Vous trouverez ci-dessous les différentes fonctions du menu configuration :

Adresse DMX (DMX Addr)

Définissez l'adresse DMX et utilisez le projecteur en mode DMX.

- Appuyez sur le bouton MENU (2) jusqu'à ce que l'écran affiche « DMX Addr ».
 - Utilisez les boutons UP/DOWN (3) pour définir l'adresse DMX souhaitée.
 - Appuyez sur le bouton ENTER (4) pour confirmer.
- ⇒ L'écran affiche l'adresse DMX lorsque le projecteur est en mode DMX.

Remarque : Si aucun signal DMX n'est détecté, le rétroéclairage se met à clignoter pour indiquer qu'il y a un problème.

Gradation manuelle (Manu Dim)

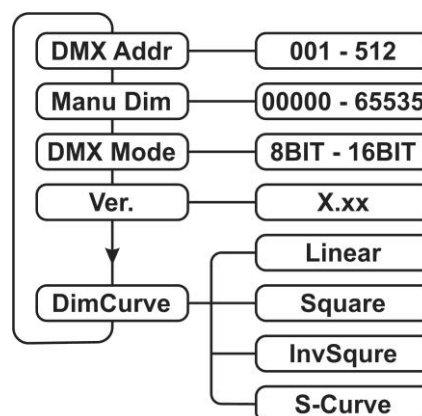
Utilisez les boutons haut/bas (3) pour régler la gradation manuellement.

- Appuyez sur le bouton MENU (2) jusqu'à ce que l'écran affiche « Manu Dim ».
- Utilisez les boutons UP/DOWN (3) pour définir l'adresse DMX souhaitée.
- Appuyez sur le bouton ENTER (4) pour confirmer.

Important : Si vous ne confirmez pas la valeur de gradation en appuyant sur ENTER, le gradateur (après 5s) retourner automatiquement au dernier réglage.

Mode DMX

Permet de sélectionner si le gradateur doit fonctionner en mode 8 bits ou 16 bits lorsqu'il est contrôlé via DMX.



- Appuyez sur le bouton MENU (2) jusqu'à ce que l'écran affiche « DMX Mode ».
- Utilisez les boutons UP/DOWN (3) pour sélectionner l'une des 2 options :
 - 8 BIT : gradateur contrôlé par 1 canal DMX, le gradateur 8 bits offre 256 niveaux.
 - 16 BIT : gradateur contrôlé par 2 canaux DMX, le gradateur 16 bits offre 65535 niveaux et est donc plus précis, surtout dans la partie inférieure de la courbe du gradateur.
- Appuyez sur le bouton ENTER (4) pour confirmer.

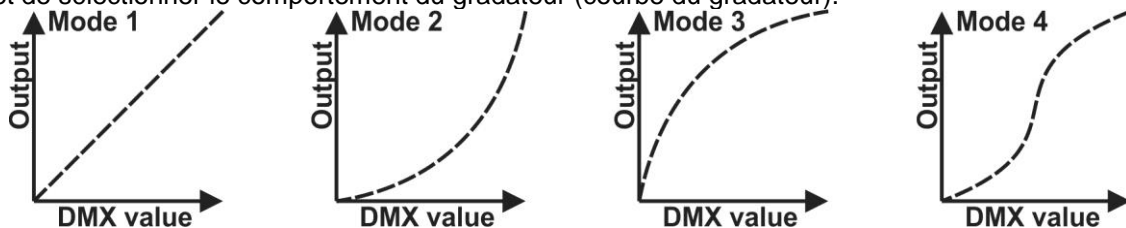
Version du micrologiciel (Ver)

Affiche la version actuelle du contrôleur.

- Appuyez sur le bouton MENU (2) jusqu'à ce que l'écran affiche « Ver. ».
- ⇒ L'écran affiche la version actuelle du micrologiciel.

Comportement du gradateur (DimCurve)

Permet de sélectionner le comportement du gradateur (courbe du gradateur).



- Appuyez sur le bouton MENU (2) jusqu'à ce que l'écran affiche « DimCurve ».
- Utilisez les boutons UP/DOWN (3) pour sélectionner l'une des 4 courbes disponibles (voir dessins) :
 - **Linéaire (Mode 1)** : l'intensité lumineuse varie linéairement en fonction de la valeur de gradation.
 - **Carré (Mode 2)** : l'intensité lumineuse peut être réglée avec plus de précision pour les faibles valeurs de gradation.
 - **Carré inversé (Mode 3)** : l'intensité lumineuse peut être réglée avec plus de précision pour les valeurs de gradation élevées.
 - **Courbe S (Mode 4)** : l'intensité lumineuse peut être réglée avec plus de précision pour des valeurs de gradation faibles et élevées.
- Appuyez sur le bouton ENTER (4) pour confirmer.

Autres remarques sur la sécurité :

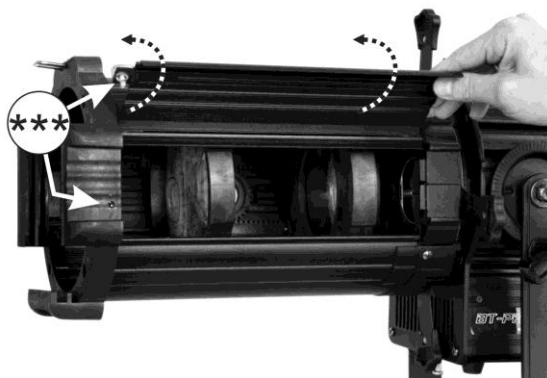
- *Débranchez toujours l'appareil lorsqu'il ne va pas être utilisé pendant une longue période ou avant de commencer l'entretien.*
- *En cas de sérieux problèmes de fonctionnement, cessez d'utiliser l'appareil et contactez immédiatement votre revendeur.*
- **Important :** *Ne regardez jamais directement la source de lumière ! N'utilisez pas de lumière stroboscopique en présence de personnes souffrant d'épilepsie.*

ENTRETIEN

- Assurez-vous qu'aucune personne étrangère ne se trouve dans la zone en dessous de l'emplacement d'installation durant l'entretien.
- Éteignez l'appareil, débranchez le câble secteur et attendez que l'appareil refroidisse.

Lors de l'inspection les points suivants doivent être vérifiés :

- Toutes les vis utilisées pour l'installation de l'appareil et chacune de ses composantes doivent être solidement fixées et ne peuvent être rouillées.
- Les boîtiers, les supports et les boutons d'installation (plafond, poutre, suspensions) ne doivent pas être déformés.
- Quand une lentille optique est visiblement endommagée en raison de fissures ou de rayures profondes, elle doit être remplacée.
- Les câbles d'alimentation doivent être dans un état impeccable et doivent être remplacés immédiatement même si un petit problème est détecté.

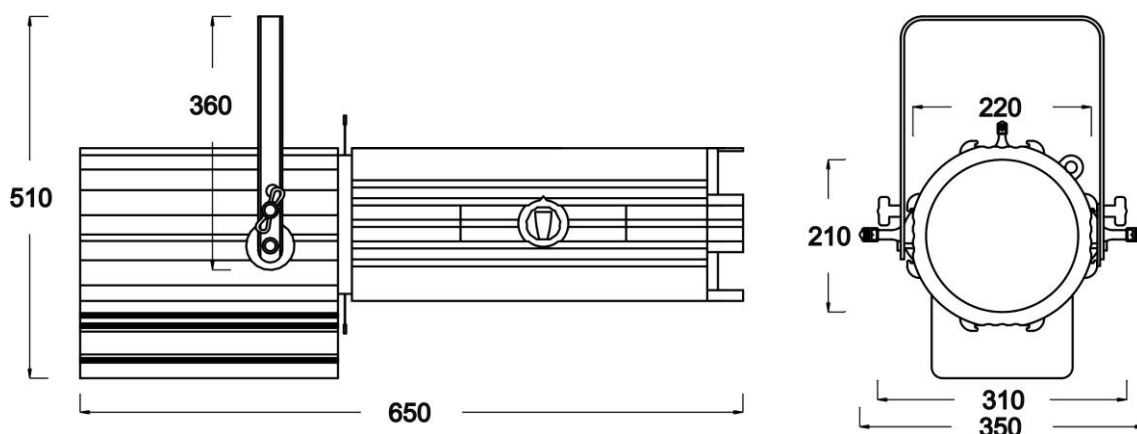


- Pour éviter toute surchauffe de votre appareil, nettoyez chaque mois les ventilateurs de refroidissement et les ouvertures d'aération.
- L'intérieur de l'appareil doit être nettoyé à l'aide d'un aspirateur ou d'un jet d'air.
- Le nettoyage des lentilles optiques internes et externes doit être effectué périodiquement pour optimiser l'intensité lumineuse. La fréquence de nettoyage dépend de l'environnement dans lequel le projecteur est utilisé : des environnements humides, enfumés ou particulièrement sales peuvent causer l'accumulation de saleté sur l'optique de l'appareil.
 - Le compartiment à lentille peut être ouvert pour accéder facilement aux lentilles, voir image : tournez le petit bouton argenté (***) pour déverrouiller et ouvrir le couvercle qui ferme le compartiment à lentille.
 - Nettoyez la lentille avec un chiffon doux et des produits de nettoyage pour verre normal.
 - Séchez toujours les pièces soigneusement.

Attention: Nous vous conseillons fortement de faire effectuer le nettoyage interne par un personnel qualifié !

SPÉCIFICATIONS

Tension d'entrée :	110VAC 60Hz / 230VAC 50Hz
Consommation :	165 Watt à production maximale
Fusible :	250V 3A à action retardée (verre 20 mm)
Connexions DMX :	XLR 3 broches mâle/femelle
Canaux DMX utilisés :	1 canal (8 bits) ~ 2 canaux (16 bits)
Lampe :	160W COB LED blanc 3200K, Facteur CRI : ±88
Dimensions :	Voir dessins
Poids :	6,10 kg (LED ENGINE) 5,25 kg (OPTICS)



Les informations peuvent être modifiées sans préavis
 Vous pouvez télécharger la dernière version de ce manuel sur notre site web :
www.briteq-lighting.com

GEBRUIKSAANWIJZING

Hartelijk dank voor de aankoop van dit BRITEQ® product. Om ten volle van alle mogelijkheden te profiteren en in belang van uw eigen veiligheid, lees deze bedieningsinstructies zorgvuldig voordat u deze eenheid begint te gebruiken.

KENMERKEN

Deze eenheid is radiostoring onderdrukt. Dit product voldoet aan de eisen van de huidige Europese en nationale richtlijnen. Conformiteit werd aangetoond en de desbetreffende verklaringen en documenten zijn door de fabrikant gedeponereerd.

- Dit apparaat is ontworpen om decoratieve effectverlichting te produceren en wordt in lichtshowsysteem gebruikt.
- LED-profielspot voorzien van hoogvermogen 160W LED-technologie
- Het is een ideale vervanging voor de halogeonlampen met hoog stroomverbruik!
- Robuuste constructie van aluminium profiel.
- De projector wordt voor uw gemak in twee afzonderlijke delen verkocht:
 - **BT-PROFILE160/LED ENGINE**
 - Voorzien van een hoogvermogen 160W COB-LED, 3200K kleurtemperatuur
 - Extreem geruisloos koelsysteem met gebruik van hittepijptechnologie
 - Compatibel met ETC « Source Four » optiek
 - LCD-scherm voor eenvoudige instellingen.
 - 3 bedrijfsmodi:
 - Handmatige 16bit dimmer (instelbaar op de projector, 65535 dimmerstappen)
 - DMX 8bit dimmen (1 fader / kanaal)
 - DMX 16bit dimmen (2 faders / kanalen: grof + fijn)
 - Verschillende dimmerkrommes:
 - Lineaire curve
 - Kwadratische curve
 - Invers kwadratische curve
 - S-curve
 - Geïsoleerde achterhendel
 - **BT-PROFILE160/OPTIC**
 - Optiek met speciale coating voor glasheldere, haarscherpe projecties
 - Vier bladen/messen, met speciale coating voor minimum reflectie
 - Er zijn twee verschillende optische eenheden met instelbare zoom verkrijgbaar:
 - “BT-PROFILE160/OPTIC 15-30” (bestelcode: 6001): 15°-30° zoombereik
 - “BT-PROFILE160/OPTIC 25-50” (bestelcode: 6002): 25°-50° zoombereik
 - Vergrendelbaar compartiment voor gebruik van de optioneel verkrijgbare:
 - **GOBO Houder** (“BT-PROFILE160/GOBO HOLDER”, bestelcode: 6003)
Externe diameter gobo's: 86mm, optische diameter: 64,5mm
 - **IRIS** (“BT-PROFILE160/IRIS”, bestelcode: 6004)
Apertuur diameter: afstelbaar van 5mm tot 74mm
 - Gecombineerde zoom/focuswerking met vergrendelmechanisme
 - Vergrendelbaar lenscompartiment: eenvoudige toegang voor interne lensreiniging
 - Kan ETC Source Four-optiek vervangen
 - De optiek kan worden gedraaid en in elke willekeurige positie worden vergrendeld

VOÓR GEBRUIK

- Voordat u dit apparaat begint te gebruiken, controleer of er geen transportschade aanwezig is. Mocht er schade zijn, gebruik het apparaat niet en raadpleeg eerst uw dealer.
- **Belangrijk:** Dit apparaat verliet de fabriek in perfecte staat en goed verpakt. Het is absoluut noodzakelijk voor de gebruiker om de veiligheidsinstructies en waarschuwingen in deze handleiding strikt op te volgen. Eventuele schade veroorzaakt door verkeerd gebruik valt niet onder de garantie. De dealer zal geen

aansprakelijkheid accepteren voor eventuele fouten of problemen veroorzaakt door het negeren van deze handleiding.

- Bewaar dit boekje op een veilige plaats voor toekomstige raadpleging. Als u de armatuur verkoopt, vergeet niet om deze handleiding erbij te voegen.

Controleer de inhoud:

Controleer of de doos de volgende artikelen bevat:

- Gebruikershandleiding
- LED ENGINE 160W of OPTICS (15°-30° of 25°-50°)

VEILIGHEIDSINSTRUCTIES:



CAUTION
RISK OF ELECTRIC SHOCK
DO NOT OPEN



OPGELET: Om het risico van elektrische schokken te verkleinen, verwijder de bovenafdekking niet. Er bevinden zich geen onderdelen binnenin die door de gebruiker onderhouden moeten worden. Laat het onderhoud alleen door gekwalificeerd onderhoudspersoneel uitvoeren.



De bliksemschicht met pijl binnenin een gelijkzijdige driehoek is bedoeld om de gebruiker te waarschuwen op de aanwezigheid van ongeïsoleerde "gevaarlijke spanning" binnen de behuizing van het product dat van voldoende omvang is om een risico op elektrische schokken te vormen.



Het uitroepteken binnen een gelijkzijdige driehoek is bedoeld om de gebruiker te waarschuwen op de aanwezigheid van belangrijke gebruik- en onderhoudsinstructies in de documentatie die met dit apparaat meekomen.



Dit symbool betekent: alleen gebruik binnenshuis



Dit symbool betekent: Lees de instructies



Dit symbool betekent: Veiligheidsklasse I apparaat



Dit symbool bepaalt: de minimale afstand tot de verlichte objecten. De minimale afstand tussen de lichtbron en het verlichte voorwerp moet meer dan 1 meter zijn



Het apparaat is niet geschikt voor directe montage op normale brandbare oppervlakken. (alleen geschikt voor montage op onbrandbare oppervlakken)

RISK GROUP 2
CAUTION:
Do not stare at operating lamp

OPGELET: Kijk niet naar een werkende lamp.
Het kan schadelijk zijn voor de ogen.

- Om het milieu te beschermen, probeer het verpakkingsmateriaal zoveel mogelijk te recyclen.
- Om brand of elektrische schokgevaar te voorkomen, stel dit apparaat niet aan regen of vocht bloot.
- Om te voorkomen dat binnenin condensatie wordt gevormd, laat het apparaat aan de omgevingstemperatuur aanpassen wanneer het na transport in een warme kamer wordt gebracht. Condens verhindert soms het apparaat op volle capaciteit te werken of kan zelfs schade veroorzaken.
- Dit apparaat is uitsluitend geschikt voor gebruik binnenshuis.
- Plaats geen metalen voorwerpen of mors geen vloeistoffen in het toestel. Elektrische schokken of storing kunnen het gevolg zijn. Als een vreemd voorwerp in het apparaat terechtkomt, trek onmiddellijk de stekker uit het stopcontact.
- Plaats de armatuur op een goed geventileerde plek, uit de buurt van brandbare materialen en/of vloeistoffen. Het armatuur moet op minstens 50cm vanaf de omringende muren worden bevestigd.
- Bedek geen ventilatieopeningen, omdat dit tot oververhitting kan leiden.
- Voorkom het gebruik in stoffige omgevingen en maak het apparaat regelmatig schoon.
- Houd het apparaat buiten bereik van kinderen.
- Onervaren personen mogen dit apparaat niet bedienen.
- De maximaal veilige omgevingstemperatuur is 40°C. Gebruik deze eenheid niet bij hogere omgevingstemperaturen.
- Zorg ervoor dat het gebied onder de installatieplaats tijdens het takelen, onttakelen en onderhoud, vrij is van ongewenste personen.
- Laat het apparaat ongeveer 10 minuten afkoelen alvorens met onderhoud te beginnen.

- Ontkoppel altijd het apparaat wanneer het voor een langere tijd niet wordt gebruikt of alvorens het onderhoud te beginnen.
- De elektrische installatie dient alleen door gekwalificeerd personeel te worden uitgevoerd, in overeenstemming met de voorschriften voor elektrische en mechanische veiligheid in uw land.
- Controleer of de beschikbare spanning niet hoger is dan aangegeven op het apparaat.
- Het netsnoer moet altijd in perfecte staat zijn. Schakel het apparaat onmiddellijk uit als het netsnoer is platgeknepen of beschadigd. Het moet door de fabrikant, zijn vertegenwoordiger, of door een vergelijkbaar bevoegde persoon worden vervangen, om een gevaar te voorkomen.
- Laat het netsnoer nooit met andere kabels in contact komen!
- Deze armatuur moet worden geaard om aan de veiligheidsvoorschriften te voldoen.
- Sluit het apparaat niet aan op een dimmerpack.
- Gebruik bij het installeren van het apparaat altijd een geschikte en gecertificeerde veiligheidskabel.
- Om elektrische schokken te voorkomen, open de afdekking niet. Er zijn geen door de gebruiker te repareren onderdelen binnenin het apparaat aanwezig.
- **Repareer** nooit een zekering of sluit nooit de zekeringhouder kort. **Vervang** altijd een kapotte zekering met een zekering van hetzelfde type en elektrische specificaties!
- In het geval van ernstige problemen, stop met het gebruik van de armatuur en neem onmiddellijk contact op met uw dealer.
- De behuizing en de lenzen moeten worden vervangen als ze zichtbaar beschadigd zijn.
- Gebruik de originele verpakking als het toestel vervoerd moet worden.
- Vanwege veiligheidsredenen is het verboden om ongeautoriseerde wijzigingen aan het apparaat aan te brengen.

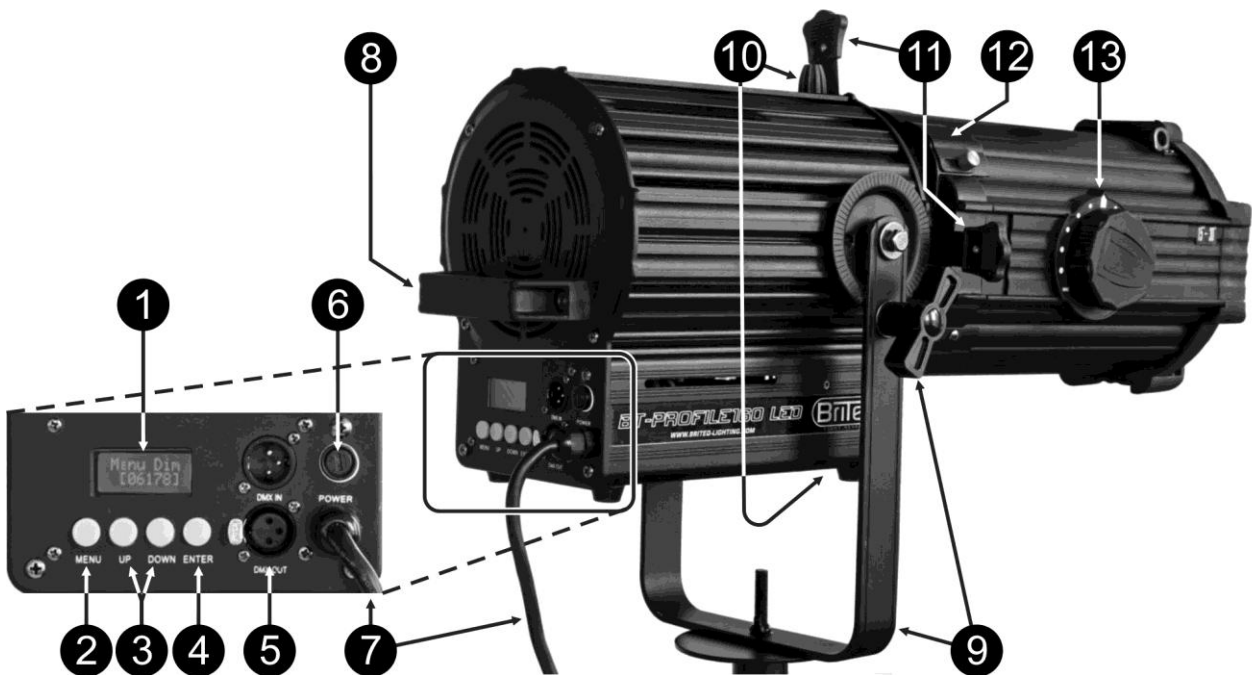
Belangrijk: Kijk nooit rechtstreeks in de lichtbron! Gebruik het effect niet in aanwezigheid van personen die aan epilepsie lijden.

HIJSEN BOVEN PERSONEN

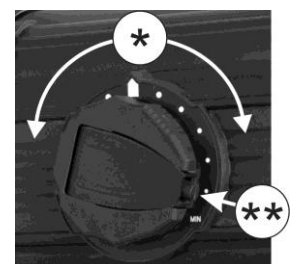
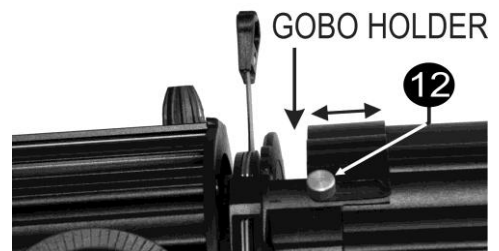
De projector kan op elke stabiele projectorsteun worden geplaatst of u kunt het aan de muur of het plafond hangen. Volg in dit geval a.u.b. de veiligheidsinstructies hieronder om een goede installatie te garanderen!

- **Belangrijk:** De installatie mag alleen door gekwalificeerd onderhoudspersoneel worden uitgevoerd. Onjuiste installatie kan tot ernstig letsel en/of schade aan goederen leiden. Hijzen boven personen vereist veel ervaring! Werklastgrenzen moeten in acht worden genomen, gecertificeerde installatiematerialen moeten worden gebruikt, het geïnstalleerde apparaat moet regelmatig worden gecontroleerd op veiligheid.
- Zorg ervoor dat het gebied onder de installatieplaats tijdens het takelen, onttakelen en onderhoud, vrij is van ongewenste personen.
- Plaats de armatuur op een goed geventileerde plek, uit de buurt van brandbare materialen en/of vloeistoffen. Het armatuur moet op **minstens 50cm** vanaf de omringende muren worden bevestigd.
- Het apparaat moet buiten het bereik van mensen en buiten de gebieden waar personen kunnen lopen of zitten worden geïnstalleerd.
- Alvorens te hijzen, controleer of de installatieplek een minimum puntbelasting van 10 keer het gewicht van het apparaat kan dragen.
- Gebruik bij het installeren van het apparaat altijd een gewaarmerkte veiligheidskabel die 12 keer het gewicht van het apparaat kan dragen. Deze secundaire veiligheidsbevestiging dient op een zodanige wijze te worden geïnstalleerd zodat geen enkel onderdeel van de installatie meer dan 20 cm kan vallen als de hoofdbevestiging het begeeft.
- Het apparaat moet goed worden bevestigd; een vrij pendelende montage is gevaarlijk en mag niet worden overwogen!
- Bedek geen ventilatieopeningen, omdat dit tot oververhitting kan leiden.
- De exploitant moet ervoor zorgen dat de veiligheidgerelateerde en machinetechnische installaties door een deskundige zijn goedgekeurd alvorens deze voor de eerste keer te gebruiken. De installaties moeten ieder jaar door een vakman worden geïnspecteerd om er zeker van te zijn dat de veiligheid nog steeds optimaal is.

BESCHRIJVING:

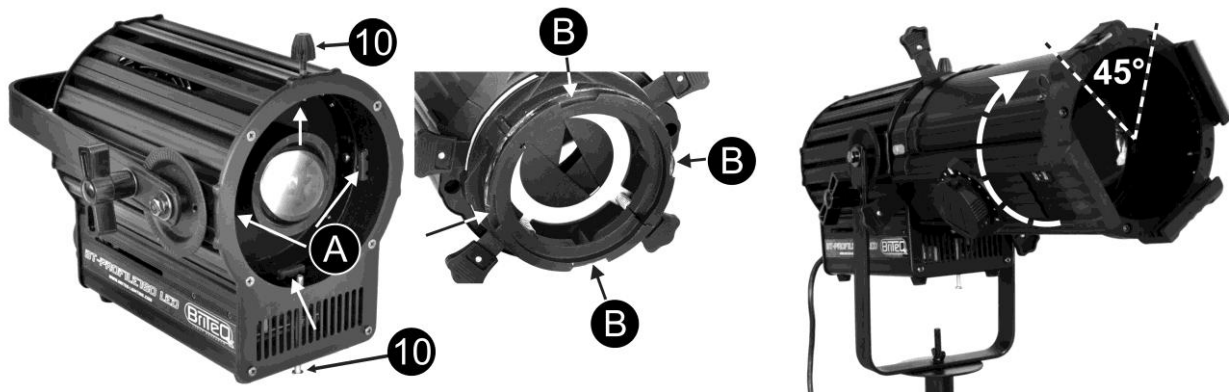


1. **DISPLAY:** Helpt u met de configuratie van de LED ENGINE. Het achtergrondlicht van de display begint te knipperen terwijl de in DMX-modus is en geen DMX wordt waargenomen.
2. **MENU-knop:** gebruikt om het instellingsmenu te browsen, met elke druk op de toets gaat u naar het volgende onderwerp.
3. **UP/DOWN-toetsen:** gebruikt om de waarde van het geselecteerde onderwerp te wijzigen.
4. **ENTER-knop:** gebruikt ter bevestiging van de gemaakte selectie, niet vergeten!
5. **DMX IN/UIT:** beide 3-polige en 5-polige in/uitgangen zijn beschikbaar om de projector door te lussen met andere eenheden die door een DMX-controller worden geregeld.
6. **LICHTNETZEKERING:** beschermt het apparaat in geval van elektriciteitsproblemen, gebruik altijd de aanbevolen zekering!
7. **Netsnoer:** gebruikt voor aansluiting van de projector op 230V/50Hz, zorg ervoor dit altijd in perfecte conditie te houden.
8. **HENDEL:** Oriënteer de projector in de gewenste richting.
9. **BEUGEL:** gebruikt om de projector op te hangen of om het op een vloersteun te bevestigen, zorg ervoor dat de knop goed vast zit.
10. **BEVEILIGINGSKNOP VOOR OPTICS:** 2 knoppen om te voorkomen dat de OPTICS los komt van de LED ENGINE. U kunt de optiek veranderen door beide knoppen los te draaien, zie meer instructies in het volgende hoofdstuk. U hoeft beide knoppen slechts ietwat los te draaien om de optiek eenvoudig over een bepaalde hoek te draaien.
11. **PROFIELBLADEN:** gebruikt om de randen van de geprojecteerde lichtbundel af te stellen.
12. **GOBO/IRIS COMPARTIMENT:** dit compartiment kan de optioneel verkrijgbare IRIS- of GOBO-houder bevatten. Het compartiment kan worden gesloten om het binnendringen van stof te reduceren.
13. **ZOOM/FOCUSKNOP:** knop gebruikt om de lichtbundelhoek af te stellen van 15° tot 30° of van 25° tot 50°, afhankelijk van de geïnstalleerde optiek. Druk op de vergrendelknop (**), om het mechanisme te ontgrendelen en draai de knop naar links/rechts (*) om de lichtbundelgrootte te vergroten of verkleinen. De focus zal gelijktijdig automatisch worden aangepast. Vergrendel de knop weer (**) om ervoor te zorgen dat de instelling onveranderd blijft.



DE OPTIEK INSTALLEREN

De LED ENGINE en OPTICS worden voor maximum flexibiliteit afzonderlijk verkocht. U kunt ook optiek van bepaalde andere merken installeren, wat nog meer flexibiliteit biedt voor professionele verhuurbedrijven. Dit hoofdstuk beschrijft hoe u de optiek op de LED ENGINE installeert/verwisselt.



- A. Draai de 2 beveiligingsknoppen (10) los zodat u de OPTICS op de LED ENGINE kunt bevestigen.
- B. De LED ENGINE is voorzien van 4 uitstulpingen (A)
- C. De OPTICS is voorzien van 4 uitsparingen (B)
- D. Houd de OPTICS tot over ca. 45° gedraaid, zodat de 4 uitstulpingen (A) en 4 uitsparingen (B) naar elkaar wijzen en de twee onderdelen in elkaar passen.
- E. Draai de OPTICS nu tot over ca. 45°: beide onderdelen zijn nu samen verbonden.
- F. Draai de 2 beveiligingsknoppen (10) vast om ervoor te zorgen dat beide onderdelen samen vast blijven zitten, ook terwijl de optiek wordt gedraaid.

Opmerking: het zal in het begin wat moeite kosten om de optiek op de LED ENGINE te installeren en verwijderen, na een tijdje zal dit een eitje zijn voor u!

GEBRUIKSAANWIJZINGEN / INSTELLINGSMENU

De lichtuitvoer van de projector kan handmatig of via DMX worden geregeld. Hieronder volgt een beschrijving van de verschillende functies van het instellingsmenu:

DMX-adres (DMX Addr)

Het DMX-adres instellen en de projector in DMX-modus gebruiken.

- Druk op de MENU-toets (2) totdat "DMX Addr" op de display verschijnt.
- Druk op de UP/DOWN-toetsen (3) om het gewenste DMX-adres in te stellen.
- Druk ter bevestiging op de ENTER-toets (4).
- ⇒ De display toont het DMX-adres terwijl de projector nu werkzaam is in DMX-modus.

Opmerking: Als er geen DMX-sigitaal wordt waargenomen, zal het achtergrondlicht knipperen om aan te geven dat er een probleem is.

Handmatig Dimmen (Manu Dim)

De dimmer handmatig instellen via de UP/DOWN-toetsen (3).

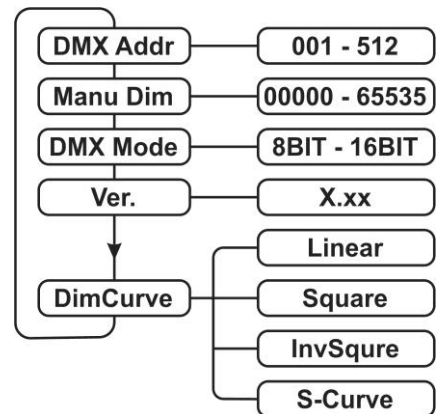
- Druk op de MENU-toets (2) totdat "Manu Dim" op de display verschijnt.
- Druk op de UP/DOWN-toetsen (3) om het gewenste DMX-adres in te stellen.
- Druk ter bevestiging op de ENTER-toets (4).

Belangrijk: als u de dimmerwaarde niet bevestigt door op ENTER te drukken, zal de dimmer (na 5 sec.) automatisch terugkeren naar de laatste instelling.

DMX-modus

Gebruikt om te selecteren of de dimmer in 8bit of 16bit modus moet werken, terwijl het via DMX wordt bediend.

- Druk op de MENU-toets (2) totdat "DMX Mode" op de display verschijnt.
- Druk op de UP/DOWN-toetsen (3) om een van de 2 opties te selecteren:



- 8 BIT: dimmer geregeld door 1 DMX-channel, de 8bit dimmer heeft 256 stappen.
- 16 BIT: dimmer geregeld door 2 DMX-kanalen, de 16bit dimmer heeft 65535 stappen en is dus nauwkeuriger, voornamelijk in het lagere deel van de dimmerkromme.

• Druk ter bevestiging op de ENTER-toets (4).

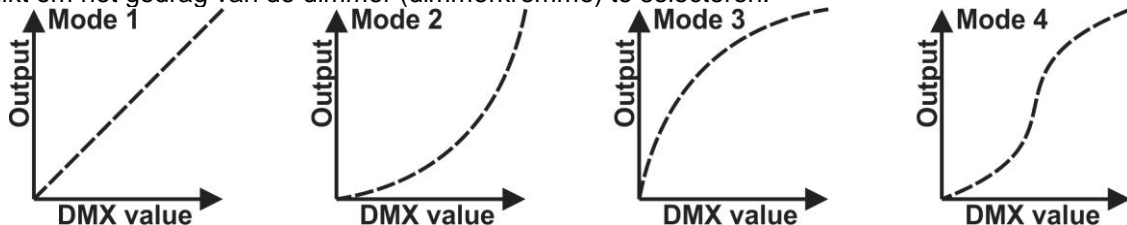
Firmwareversie (Ver.)

Toont de actuele versie van de controller.

- Druk op de MENU-toets (2) totdat “Ver.” op de display verschijnt.
- ⇒ De display toont de actuele firmwareversie.

Dimmergedrag (DimCurve)

Gebruikt om het gedrag van de dimmer (dimmerkromme) te selecteren.



- Druk op de MENU-toets (2) totdat “DimCurve” op de display verschijnt.
- Druk op de UP/DOWN-toetsen (3) om een van de 4 beschikbare krommes te selecteren (zie afbeeldingen):
 - **Lineair** (Modus 1): lichtuitvoer varieert lineair met de dimmerwaarde.
 - **Kwadratisch** (Modus 2): lichtuitvoer kan nauwkeuriger worden afgesteld voor lage dimmerwaarden.
 - **Invers kwadratisch** (Modus 3): lichtuitvoer kan nauwkeuriger worden afgesteld voor hoge dimmerwaarden.
 - **S-Kromme** (Modus 4): lichtuitvoer kan nauwkeuriger worden afgesteld voor beide hoge en lage dimmerwaarden.
- Druk ter bevestiging op de ENTER-toets (4).

Enkele veiligheidsopmerkingen:

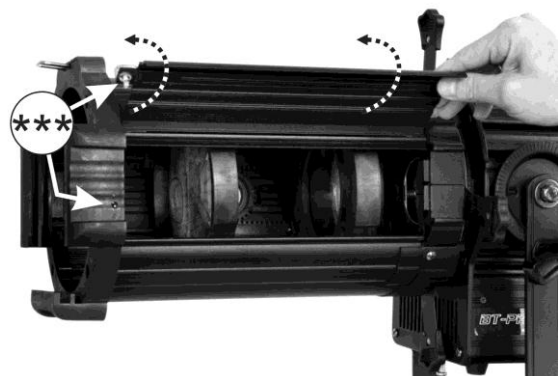
- *Ontkoppel altijd het apparaat wanneer het voor een langere tijd niet wordt gebruikt of alvorens het onderhoud te beginnen.*
- *In het geval van ernstige problemen, stop met het gebruik van de armatuur en neem onmiddellijk contact op met uw dealer.*
- **Belangrijk:** *Kijk nooit rechtstreeks in de lichtbron! Gebruik de strobefunctie niet in de aanwezigheid van personen die aan epilepsie lijden.*

ONDERHOUD

- Zorg ervoor dat het gebied onder de installatieplaats tijdens het takelen, onttakelen en onderhoud vrij is van ongewenste personen.
- Schakel het apparaat uit, ontkoppel het netsnoer en wacht totdat het apparaat is afgekoeld.

Tijdens de inspectie moeten de volgende punten worden gecontroleerd:

- Alle schroeven gebruikt voor het installeren van het apparaat of onderdelen van het apparaat, moeten stevig worden bevestigd en mogen niet gecorrodeerd zijn.
- Behuizingen, bevestigingen en installatieplaatsen (plafond, dragers, ophangingen) moeten volledig vrij van vervorming zijn.
- Wanneer een optische lens zichtbaar door scheuren of diepe krassen is beschadigd, moet het worden vervangen.
- De netsnoeren moeten in perfecte conditie zijn en onmiddellijk worden vervangen wanneer zelfs een klein probleem wordt gedetecteerd.
- Om het apparaat tegen oververhitting te beschermen moeten de koelventilatoren en ventilatieopeningen maandelijks worden gereinigd.
- Het interieur van het apparaat dient regelmatig met een stofzuiger of luchtpistool te worden gereinigd.

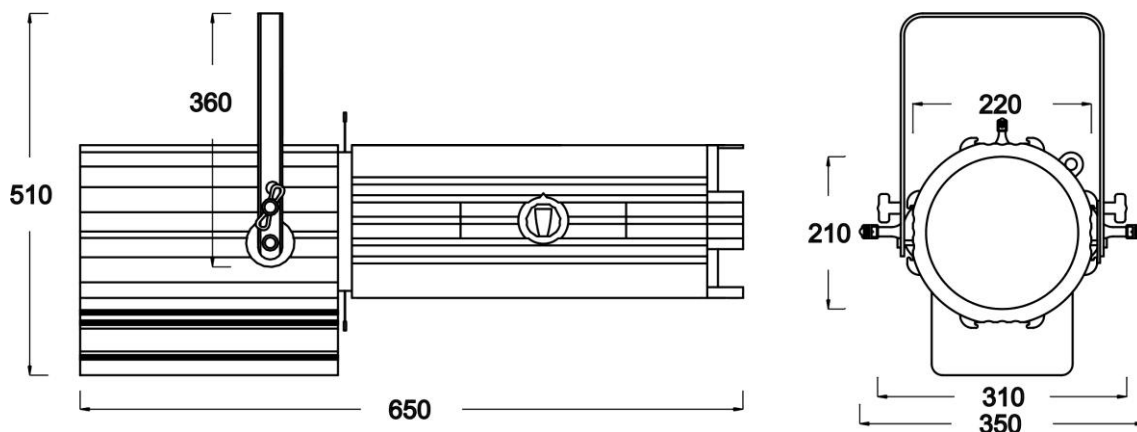


- De interne en externe optische lenzen dienen regelmatig te worden gereinigd om de lichtuitvoer optimaal te houden. De frequentie van reiniging hangt af van de omgeving waarin de armatuur werkt: een vochtige, rokerige of bijzonder vuile omgeving kan leiden tot een grotere opeenhoping van vuil op de optiek van het apparaat.
 - Het lenscompartiment kan worden geopend voor eenvoudige toegang tot de lenzen, zie afbeelding: draai de kleine zilveren knop (***) om de cover te ontgrendelen die het lenscompartiment afsluit en open het.
 - Reinig de interne lenzen met een zacht doekje en de gebruikelijke reinigingsproducten voor glas.
 - Droog de onderdelen altijd zorgvuldig.

Opgelet: Wij raden nadrukkelijk aan om het inwendig reinigen door gekwalificeerd personeel uit te laten voeren!

SPECIFICATIES

Energievoorziening:	110Vac 60Hz / 230Vac 50Hz
Energieverbruik:	165 Watt op max. uitvoer
Zekering:	250V 3A trage zekering (20mm glas)
DMX-aansluitingen:	3-pins XLR mannelijk/vrouwelijk
Gebruikte DMX-kanalen:	1ch (8 bit) ~ 2ch (16 bit)
Lamp:	160W COB LED wit 3200K, CRI: ±88
Afmetingen:	zie afbeeldingen
Gewicht:	6,10 kg (LED ENGINE) 5,25 kg (OPTICS)



De informatie kan zonder voorafgaande kennisgeving worden gewijzigd
 U kunt de nieuwste versie van deze handleiding van onze website downloaden:
www.briteq-lighting.com

BEDIENUNGSANLEITUNG

Vielen Dank für den Kauf dieses BRITEQ®-Produkts. Bitte lesen Sie diese Bedienungshinweise vor der Inbetriebnahme sorgfältig durch, um alle Möglichkeiten des Geräts voll zu nutzen, sowie zu Ihrer eigenen Sicherheit.

EIGENSCHAFTEN

Dieses Gerät ist funktentstört. Das Gerät entspricht den aktuellen europäischen Anforderungen und nationalen Leitlinien. Die Konformität wurde nachgewiesen und die entsprechenden Erklärungen und Unterlagen liegen beim Hersteller vor.

- Dieses Gerät wird zur Erzeugung von dekorativen Beleuchtungseffekten in Lichtshows eingesetzt.
- Dieser LED-Profilspot ist mit Hochleistungs-LED-Technologie ausgestattet.
- Er ist ein perfekter Ersatz für Halogen-Geräte mit hohem Stromverbrauch!
- Robuste Druckguss-Konstruktion aus stranggepresstem Aluminium
- Der Projektor wird als zwei separate Komponenten verkauft:
 - **BT-PROFILE160/LED ENGINE**
 - Leistungsstarke 160 W COB-LED mit 3200 K Farbtemperatur und CRI: +/-88
 - Extrem leise Kühlung mit Heatpipe-Technologie
 - Mit ETC « Source Four »-Optik kompatibel
 - LCD-Bildschirm für einfache Einstellungen.
 - 3 Betriebsmodi:
 - Manueller 16 Bit-Dimmer (kann am Projektor eingestellt werden, 65535 Dimmerstufen)
 - DMX 8 Bit dimmen (1 Fader / Kanal)
 - DMX 16 Bit dimmen (2 Fader / Kanal: grob u. fein)
 - Verschiedene Dimmerkurven:
 - Linear
 - Quadratisch
 - Invers quadratisch
 - S-Kurve
 - Isolierter Griff auf der Rückseite
 - **BT-PROFILE160/OPTIC**
 - Speziell beschichtete Optik für gestochen scharfe Projektionen
 - Vier Profillamellen, speziell beschichtet für minimale Reflexionen
 - Zwei unterschiedliche optische Einheiten mit einstellbarem Zoom erhältlich:
 - „BT-PROFILE160/OPTIC 15-30“ (Bestellnummer: 6001): 15° bis 30° Zoombereich
 - „BT-PROFILE160/OPTIC 25-50“ (Bestellnummer: 6002): 25° bis 50° Zoombereich
 - Abschließbares Fach für die Verwendung mit dem optionalen Zubehör vorhanden:
 - **GOBO-Halter** („BT-PROFILE160/GOBO HOLDER“, Bestellnummer: 6003)
Außendurchmesser der Gobos: 86 mm, optischer Durchmesser: 64,5 mm
 - **IRIS** („BT-PROFILE160/IRIS“, Bestellnummer: 6004)
Blendendurchmesser: Verstellbar von 5 mm bis 74 mm
 - Kombiniertes Zoomen/Fokussieren mit Verriegelungsmechanismus.
 - Abschließbares Objektivfach: Einfacher Zugang für die Reinigung des internen Objektivs
 - Kann ETC Quelle “Source Four”-Optik ersetzen
 - Der Objektivzylinder kann gedreht und in jeder Position verriegelt werden

VOR DER ERSTBENUTZUNG

- Vor der Erstbenutzung bitte das Gerät zuerst auf Transportschäden überprüfen. Sollte das Gerät einen Schaden aufweisen, benutzen Sie es nicht, sondern wenden Sie sich unverzüglich an Ihren Händler.
- **Wichtiger Hinweis:** Dieses Gerät hat das Werk unbeschädigt und gut verpackt verlassen. Es ist wichtig, dass der Benutzer sich streng an die Sicherheitshinweise und Warnungen in der Bedienungsanleitung hält. Schäden durch unsachgemäße Handhabung sind von der Garantie ausgeschlossen. Der Händler übernimmt keine Verantwortung für Schäden, die durch Nichtbeachtung der Bedienungsanleitung entstanden sind.

- Die Bedienungsanleitung zum zukünftigen Nachschlagen bitte an einem sicheren Ort aufbewahren. Bei Verkauf oder sonstiger Weitergabe des Geräts bitte die Bedienungsanleitung beifügen.

Packungsinhalt prüfen:

Bitte überprüfen Sie, ob die Verpackung folgende Artikel enthält:

- Bedienungsanleitung
- LED-ENGINE 160 W oder OPTIK (15° bis 30° oder 25° bis 50°)

SICHERHEITSHINWEISE:



ACHTUNG: Um sich nicht der Gefahr eines elektrischen Schlags auszusetzen, entfernen Sie nicht die obere Abdeckung. Im Geräteinneren befinden sich keine vom Benutzer wartbaren Teile. Überlassen Sie Reparatur- und Wartungsarbeiten dem qualifizierten Kundendienst.



Das Blitzsymbol innerhalb eines gleichseitigen Dreiecks warnt den Benutzer vor nicht isolierter „gefährlicher Spannung“ im Innern des Produktgehäuses, die so stark sein kann, dass für Personen die Gefahr von Stromschlägen besteht.



Das Ausrufezeichen im Dreieck weist den Benutzer auf wichtige Bedienungs- und Wartungshinweise in den Dokumenten hin, die dem Gerät beiliegen.



Dieses Symbol bedeutet: Nur im Innenbereich



Dieses Symbol bedeutet: Die Bedienungsanleitung lesen



Dieses Symbol bedeutet: Das Gerät besitzt Schutzklasse I



Dieses Symbol legt fest: Den minimalen Abstand von beleuchteten Objekten. Der minimale Abstand zwischen Projektor und dem beleuchteten Objekt muss mehr als 1 Meter betragen



Das Gerät eignet sich nicht für die direkte Montage auf gängigen entflammenden Oberflächen. (Nur für die Montage auf nicht-brennbaren Oberflächen geeignet)



ACHTUNG: Nicht direkt in die Lichtquelle blicken. Das kann für die Augen schädlich sein.

- Aus Umweltschutzgründen die Verpackung bitte wiederverwenden oder richtig trennen.
- Zur Vermeidung von Feuer und Stromschlag Gerät weder Regen noch Feuchtigkeit aussetzen.
- Zur Vermeidung von Kondensation im Inneren des Geräts bitte nach dem Transport in einer warmen Umgebung einige Zeit zum Temperatenausgleich ausgeschaltet stehen lassen. Kondensation kann zu Leistungsverlust des Geräts oder gar Beschädigungen führen.
- Nur für den Einsatz im Innenbereich.
- Keine Metallgegenstände oder Flüssigkeiten ins Innere des Geräts gelangen lassen. Ein Kurzschluss oder eine Fehlfunktion können die Folge sein. Falls es doch einmal vorkommen sollte, bitte sofort den Netzstecker ziehen und vom Stromkreis trennen.
- Das Gerät nur an einem gut belüfteten Ort und entfernt von entflammenden Materialien oder Flüssigkeiten aufstellen. Der Beleuchtungskörper muss wenigstens 50cm von allen Wänden entfernt montiert werden.
- Die Ventilationsöffnungen nicht abdecken, da Überhitzungsgefahr.
- Nicht in staubiger Umgebung verwenden und regelmäßig reinigen.
- Für Kinder unerreichbar aufbewahren.
- Unerfahrene Personen dürfen das Gerät nicht bedienen.
- Umgebungstemperatur darf 40°C nicht überschreiten. Das Gerät bei höheren Raumtemperaturen nicht verwenden.
- Stellen Sie sicher, dass sich während des Auf- oder Abbaus und der Wartung keine unbefugten Personen unterhalb des Geräts befinden.
- Lassen Sie das Gerät etwa 10 Minuten abkühlen, bevor Sie mit der Wartung beginnen.
- Stets den Netzstecker ziehen, wenn das Gerät für einen längeren Zeitraum nicht genutzt oder es gewartet wird.

- Die elektrische Installation darf nur von qualifiziertem Personal, unter Beachtung der Vorschriften zur elektrischen und mechanischen Sicherheit in Ihrem Land durchgeführt werden.
- Stellen Sie sicher, dass Netzspannung mit Geräteaufkleber übereinstimmt.
- Das Gerät nicht mit einem beschädigten Netzkabel in Betrieb nehmen. Wenn das Netzkabel gequetscht oder beschädigt wurde, schalten Sie das Gerät sofort aus. Im Falle von Beschädigungen muss das Netzkabel vom Hersteller, einem autorisierten Kundendienstmitarbeiter oder einer ähnlich qualifizierten Person ersetzt werden, um Gefährdungen zu vermeiden.
- Lassen Sie das Netzkabel niemals mit anderen Kabeln in Berührung kommen!
- Zur Einhaltung der Sicherheitsbestimmungen muss das Gerät geerdet sein.
- Das Gerät nicht an einen Dimmer anschließen.
- Ausschließlich vorschriftsmäßige Kabel zur Installation verwenden.
- Zur Vorbeugung gegen elektrische Schläge keine Abdeckungen entfernen. Im Geräteinneren befinden sich keine zu wartenden Teile.
- Eine Sicherung **niemals** reparieren oder überbrücken. **Stets** tauschen Sie eine beschädigte Sicherung gegen eine Sicherung gleichen Typs und gleicher Spezifikationen aus!
- Bei Fehlfunktion das Gerät nicht benutzen und sich mit dem Händler in Verbindung setzen.
- Bei sichtbaren Beschädigungen müssen Gehäuse und Optik ersetzt werden.
- Bei Transport bitte die Originalverpackung verwenden, um Schäden am Gerät zu vermeiden.
- Aus Sicherheitsgründen dürfen an dem Gerät keine unbefugten Veränderungen vorgenommen werden.

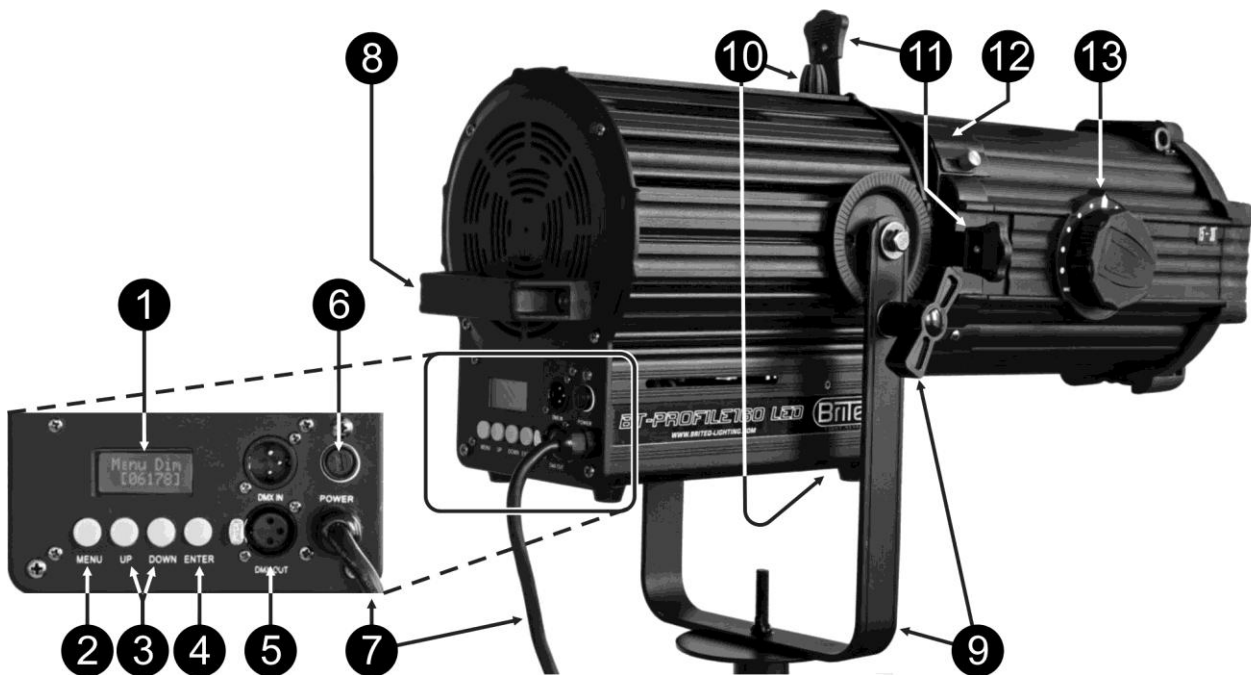
Wichtiger Hinweis: Nicht direkt in die Lichtquelle blicken! Das Gerät nicht verwenden, wenn sich Personen im Raum befinden, die unter Epilepsie leiden.

ÜBERKOPF-MONTAGE

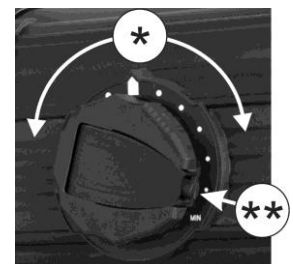
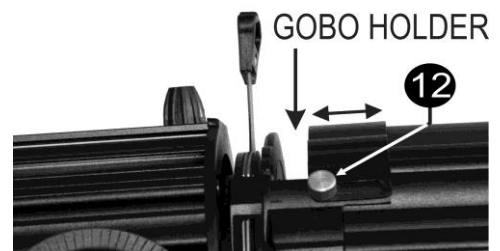
Der Projektor kann auf jedem stabilen Projektorständer montiert oder an der Wand bzw. Decke aufgehängt werden. In diesem Fall die folgenden Sicherheitshinweise befolgen, um eine einwandfreie Installation zu gewährleisten!

- **Wichtiger Hinweis:** Die Montage ausschließlich durch qualifiziertes Fachpersonal durchführen lassen. Unvorschriftsmäßiger Einbau kann erhebliche Verletzungen und/oder Schäden verursachen. Die Überkopf-Montage setzt die entsprechende Erfahrung voraus! Die Belastungsgrenzen müssen beachtet, geeignetes Installationsmaterial muss verwendet und das installierte Gerät muss in regelmäßigen Abständen überprüft werden.
- Stellen Sie sicher, dass sich während des Auf- oder Abbaus und der Wartung keine unbefugten Personen unterhalb des Geräts befinden.
- Das Gerät nur an einem gut belüfteten Ort und entfernt von entflammaren Materialien und/oder Flüssigkeiten aufstellen. Der Beleuchtungskörper muss **wenigstens 50cm** von allen Wänden entfernt montiert werden.
- Das Gerät außerhalb der Reichweite von Personen und nicht in niedrigen Durchgängen oder in der Nähe von Sitzgelegenheiten installieren.
- Vor Montage sicherstellen, dass die gewählte Position wenigstens das 10-fache Gerätegewicht aufnehmen kann.
- Zur Aufhängung stets geeignetes Befestigungsmaterial verwenden, das das 12-fache Gerätegewicht aushalten kann. Eine zweite Sicherungsaufhängung muss angebracht werden, die ein Absacken des Geräts von mehr als 20 cm verhindert, sollte die Befestigung brechen.
- Das Gerät gut befestigen. Eine freischwingende Aufhängung ist gefährlich und sollte auf gar keinen Fall in Betracht gezogen werden!
- Die Ventilationsöffnungen nicht abdecken, da Überhitzungsgefahr.
- Der Betreiber muss sicherstellen, dass die sicherheitsrelevanten und technischen Installationen vor Erstbetrieb fachmännisch vorgenommen worden sind. Installationen sollten jährlich durch qualifiziertes Fachpersonal überprüft werden, um jederzeit einen sicheren Betrieb zu gewährleisten.

BESCHREIBUNG:

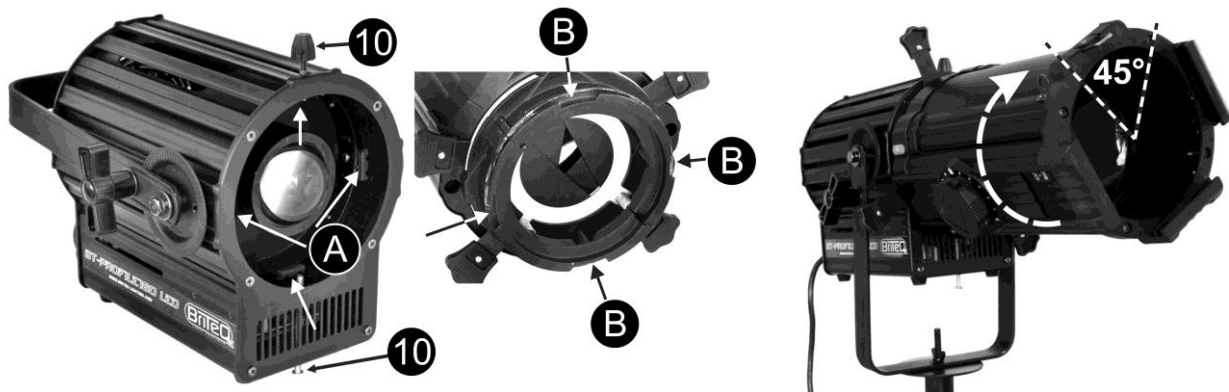


1. **DISPLAY:** Hilft bei der Konfiguration der LED-ENGINE. Wenn der Projektor sich im DMX-Modus befindet und kein DMX-Signal erkannt wurde, blinkt die Hintergrundbeleuchtung des Displays.
2. **MENU-Taste:** Blättern im Setup-Menü. Geht mit jedem Tastendruck zum nächsten Menüpunkt.
3. **UP/DOWN-Tasten:** Ändert den Wert der gewählten Eigenschaft.
4. **ENTER-Taste:** Bestätigt die ausgewählte Selektion, nicht vergessen!
5. **DMX-EINGANG/AUSGANG:** Sowohl 3-polige als auch 5-polige Ein-/Ausgänge stehen zur Verfügung zur Kaskadierung des Beamers mit anderen Geräten, die von einem DMX-Controller gesteuert werden.
6. **NETZSICHERUNG:** Schützt das Gerät im Falle von elektrischen Problemen, verwenden Sie immer die vorgeschriebene Sicherung!
7. **Netzkabel** Anschluss des Projektors an 230V/ 50Hz. Darauf achten, dass das Kabel stets in einem guten Zustand ist.
8. **HANDGRIFF:** Ausrichten des Projektors in eine gewünschte Richtung.
9. **HALTERUNG:** Aufhängen des Projektors oder Befestigung auf einem Bodenstativ. Darauf achten, dass der Knopf gut festgezogen wurde.
10. **SICHERHEITSKNÖPFE FÜR DIE OPTIK:** 2 Knöpfe verhindern, dass die OPTICS sich von der LED-ENGINE lösen kann. Zum Ändern der Optik müssen die beiden Knöpfe gelöst werden. Weitere Anweisungen im nächsten Kapitel. Um die Optik in einem bestimmten Winkel zu drehen, müssen die beiden Knöpfe nur ein wenig gelöst werden.
11. **PROFILLAMELLEN:** Anpassen der Kanten des projizierten Strahls.
12. **GOBO/IRIS-FACH:** Dieses Fach kann die optional erhältlichen IRIS- oder GOBO-Halter aufnehmen. Um das Eindringen von Staub zu verringern, kann das Fach geschlossen werden.
13. **ZOOM- / FOKUS-KNOPF:** Mit dem Knopf wird der Strahlwinkel von 15° bis 30° oder von 25° bis 50° eingestellt, je nach installierter Optik. Drücken Sie zum Entriegeln des Mechanismus die Verriegelungstaste (**), und drehen Sie den Knopf nach links/rechts (*), um die Strahlbreite zu vergrößern oder zu verringern. Der Fokus wird gleichzeitig automatisch angepasst. Verriegeln Sie den Knopf erneut (**), damit die Einstellung erhalten bleibt.



INSTALLATION DER OPTIK

Für maximale Flexibilität sind LED ENGINE und OPTICS separat erhältlich. Sie können auch die Optik eines anderen Herstellers installieren, was sogar die Flexibilität für professionelle Verleihfirmen erhöht. In diesem Kapitel beschreiben wir, wie bei der LED-ENGINE die Optik installiert oder ausgewechselt wird.



- A. Lösen Sie die 2 Knöpfe (10). Damit kann die Optik an der LED-Engine befestigt werden.
- B. An LED-ENGINE finden Sie 4 Ausbuchtungen (A)
- C. An der OPTICS finden Sie 4 Aussparungen (B)
- D. Nehmen Sie die OPTICS und drehen Sie sie um etwa 45°, so dass die 4 Ausbuchtungen (A) und 4 Aussparungen (B) sich gegenüber stehen und die beiden Teile ineinander passen.
- E. Drehen Sie jetzt die OPTICS um ca. 45°: Die beide Teile sind jetzt miteinander verbunden.
- F. Ziehen Sie die 2 Sicherheitsknöpfe (10) fest, damit beide Teile verbunden bleiben, auch während des Drehens der Optik.

Hinweis: Am Anfang braucht es zum Installieren und Entfernen der Optik an oder von der LED-ENGINE etwas Übung, nach einer Weile wird das für Sie zum Kinderspiel!

BEDIENUNGSANWEISUNGEN / SETUP-MENÜ

Die Lichtleistung des Projektors kann manuell oder über DMX geregelt werden. Im Folgenden erklären wir die verschiedenen Funktionen des Setup Menüs:

DMX-Adresse (DMX-Addr)

Stellt die DMX-Adresse ein und der Projektor wird im DMX-Modus verwendet.

- Drücken Sie die MENU-Taste (2), bis auf dem Display „DMD Addr“ angezeigt wird.
 - Wählen Sie mit den UP/DOWN-Tasten die gewünschte DMX-Adresse aus.
 - Bestätigen Sie mit der ENTER-Taste (4).
- ⇒ Wenn der Projektor sich jetzt im DMX-Modus befindet, zeigt das Display die DMX-Adresse an.

Hinweis: Wenn kein DMX-Signal erkannt wurde, blinkt die Hintergrundbeleuchtung und zeigt damit an, dass ein Problem vorliegt.

Manuelles Dimmen (Manu Dim)

Stellt den Dimmer mit den UP/DOWN-Tasten (3) manuell ein.

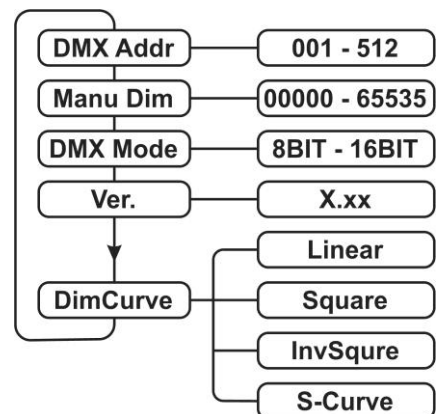
- Drücken Sie die MENU-Taste (2), bis auf dem Display „Manu Dim“ angezeigt wird.
- Wählen Sie mit den UP/DOWN-Tasten (3) die gewünschte DMX-Adresse aus.
- Bestätigen Sie mit der ENTER-Taste (4).

Wichtiger Hinweis: Wenn Sie den Dimmerwert nicht mit der ENTER-Taste bestätigen, kehrt der Dimmer automatisch (nach 5 Sekunden) wieder zur letzten Einstellung zurück.

DMX-Modus:

Legt fest, ob der Dimmer während der Steuerung über DMX im 8 Bit- oder 16 Bitmodus arbeitet.

- Drücken Sie die MENU-Taste (2), bis auf dem Display „DMD Mode“ angezeigt wird.
- Wählen Sie mit den UP/DOWN-Tasten (3) eine der 2 Optionen:



- 8 BIT: Der Dimmer wird über einen DMX-Kanal gesteuert, der 8 Bit-Dimmer hat 256 Stufen.
- 16 BIT: Der Dimmer wird über zwei DMX-Kanäle gesteuert, der 16 Bit-Dimmer hat 65535 Stufen und ist somit genauer, vor allem im unteren Bereich der Dimmerkurve.

- Bestätigen Sie mit der ENTER-Taste (4).

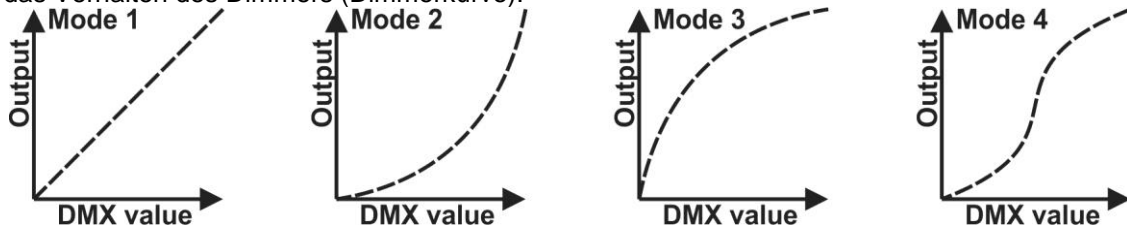
Firmwareversion (Ver.)

Zeigt die aktuelle Version des Controllers an.

- Drücken Sie die MENU-Taste (2), bis auf dem Display „Ver.“ angezeigt wird.
- ⇒ Das Display zeigt die aktuelle Firmwareversion an.

Dimmerverhalten (DimCurve)

Wählt das Verhalten des Dimmers (Dimmerkurve).



- Drücken Sie die MENU-Taste (2), bis auf dem Display „DimCurve“ angezeigt wird.
- Wählen Sie mit den UP/DOWN-Tasten (3) eine der vier verfügbaren Kurven (siehe Abbildungen):
 - **Linear** (Modus 1): Die Lichtleistung ändert sich linear mit dem Dimmerwert.
 - **Square** (Modus 2): Die Lichtleistung kann für niedrige Dimmerwerte präziser angepasst werden.
 - **InvSquare** (Modus 3): Die Lichtleistung kann für hohe Dimmerwerte präziser angepasst werden.
 - **S-Curve** (Modus 4): Die Lichtleistung kann für hohe und niedrige Dimmerwerte präziser angepasst werden.
- Bestätigen Sie mit der ENTER-Taste (4).

Einige zusätzliche Bemerkungen zur Sicherheit:

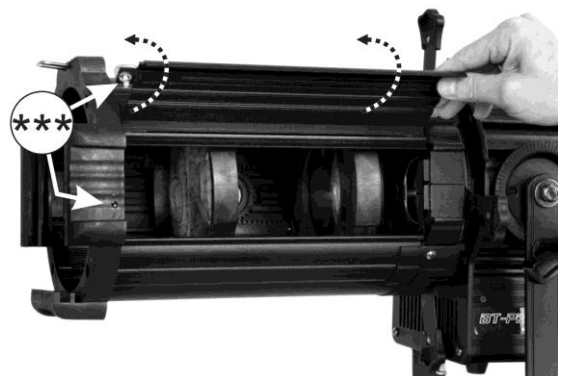
- *Stets den Netzstecker ziehen, wenn das Gerät für einen längeren Zeitraum nicht genutzt oder es gewartet wird.*
- *Bei Fehlfunktion das Gerät nicht benutzen und sich mit dem Händler in Verbindung setzen.*
- **Wichtiger Hinweis:** *Nicht direkt in die Lichtquelle blicken! Die Stroboskopfunktion nicht verwenden, wenn sich Personen im Raum befinden, die unter Epilepsie leiden.*

PFLEGE

- Stellen Sie sicher, dass sich keine unbefugten Personen unterhalb des Geräts befinden, während es gewartet wird.
- Schalten Sie das Gerät aus, ziehen Sie den Netzstecker und warten Sie, bis es sich abgekühlt hat.

Während der Wartung sind folgende Punkte ganz besonders zu beachten:

- Sämtliche Schrauben zur Installation und Befestigung der gesamten Teile müssen fest angezogen und rostfrei sein.
- Gehäuse, Befestigungsmaterialien und Aufhängungen (Decke, Balken, abgehängte Decken) dürfen keine Anzeichen von Verformung aufweisen.
- Wenn die Optik sichtbar beschädigt ist (Sprünge oder tiefe Kratzer), dann müssen die entsprechenden Teile ausgetauscht werden.
- Das Netzkabel muss stets in einwandfreiem Zustand sein und selbst bei kleinsten Beschädigungen erneuert werden.
- Um das Gerät vor Überhitzung zu schützen, sollten die Ventilator- und Belüftungsöffnungen monatlich gereinigt werden.
- Das Geräteinnere in regelmäßigen Abständen mit einem Staubsauger oder einer Luftpistole reinigen.
- Die Reinigung der inneren und äußeren optischen Linsen muss in regelmäßigen Abständen zur Beibehaltung einer optimalen Lichtausbeute vorgenommen werden. Die Häufigkeit der Reinigung



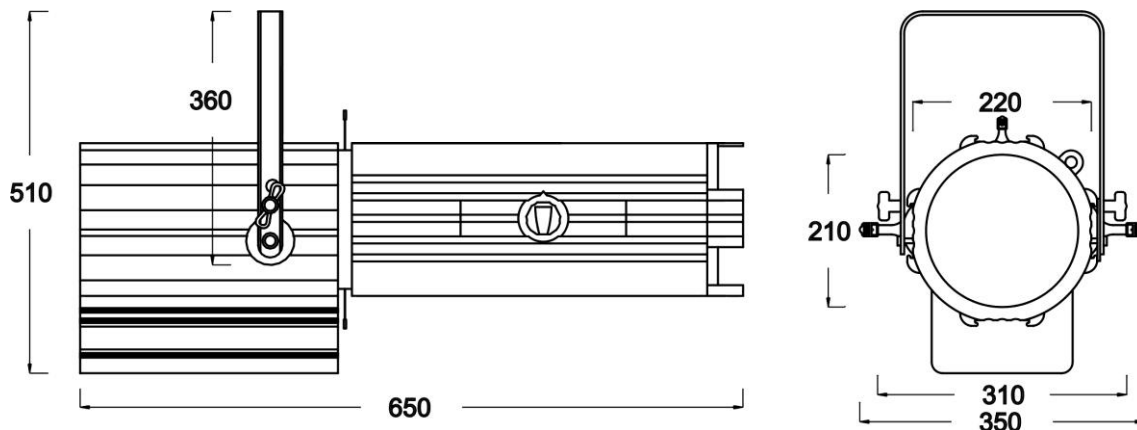
hängt von der Umgebung ab, in welcher die Beleuchtungskörper eingesetzt sind: feuchte, verrauchte oder besonders verschmutzte Umgebungen führen zu einer stärkeren Verschmutzung der Optik der Geräte.

- Das Objektivfach kann für den einfachen Zugriff auf die Linse geöffnet werden, siehe Abbildung: Drehen Sie den kleinen silbernen Knopf (***) , um die Objektivfach-Abdeckung zu entriegeln und öffnen Sie sie.
- Reinigen Sie die Linse mit einem weichen Tuch und gewöhnlichem Glasreiniger.
- Alle Teile stets gut abtrocknen.

Achtung: Wir empfehlen dringend, die Reinigung des Geräteinneren nur von qualifiziertem Personal durchführen zu lassen!

TECHNISCHE DATEN

Netzspannung:	110 V AC 60 Hz / 230 V AC, 50 Hz
Leistungsaufnahme:	165 Watt bei max. Ausgangsleistung
Sicherung:	250 V, 3 A, träge (20 mm Glas)
DMX-Anschlüsse:	3-poliger XLR-Stecker/Buchse
Verwendete DMX-Kanäle:	1 Kanal (8 Bit) - 2 Kanäle (16 Bit)
Lichtquelle:	160W COB-LED-ENGINE weiß 3200K, CRI: ±88
Abmessungen:	Siehe Aufzeichnungen
Gewicht:	6,10 kg (LED-ENGINE) 5,25 kg (OPTICS)



Technische Änderungen können auch ohne Vorankündigung vorgenommen werden
 Sie können sich die neueste Version dieses Benutzerhandbuches von unserer Website
 herunterladen: www.briteq-lighting.com

MANUAL DE INSTRUCCIONES

Gracias por comprar este producto de BRITEQ®. Para aprovechar al máximo todas las posibilidades y para su propia seguridad, lea detenidamente este manual de instrucciones antes de comenzar a utilizar la unidad.

CARACTERÍSTICAS

Esta unidad tiene supresión de radio interferencia. Este producto cumple con todas las exigencias de las pautas actuales, tanto europeas como nacionales. Dicha conformidad ha sido establecida y los dictámenes y documentos han sido consignados por el fabricante.

- Este dispositivo fue diseñado para producir efectos de iluminación decorativa y se utiliza en sistemas de espectáculos de iluminación.
- Este punto de perfil LED se basa en tecnología LED de alta potencia
- ¡Es la sustitución perfecta para las unidades halógenas con un gran consumo energético!
- Fabricación en aluminio fundido y extrudido robusto
- Para su conveniencia el proyector se vende en dos piezas separadas:
 - **BT-PROFILE160/LED ENGINE**
 - Equipado con LED de gran potencia 160W COB LED, y temperatura en color 3200K
 - Sistema de refrigeración extremadamente silencioso usando tecnología de intercambiador de calor
 - Compatible con cuatro fuentes ópticas ETC
 - Pantalla LCD para una configuración fácil.
 - 3 modos de trabajo:
 - Regulador de luz manual de 16 bits (puede ajustarse en el proyector, 65535 pasos del regulador de luz)
 - Regulación de luz DMX de 8 bits (1 balance)
 - Regulación de luz DMX de 16 bits (2 balances: ordinario + fino)
 - Diferentes curvas del regulador de luz:
 - Lineal
 - Ley del cuadrado
 - Ley del cuadrado inverso
 - Curva S
 - Asa trasera aislada
 - **BT-PROFILE160/OPTIC**
 - Óptica especialmente revestida para proyecciones nítidas definidas rápidamente
 - Cuatro láminas de perfil, revestidas especialmente para unos reflejos mínimos
 - Dispone de dos diferentes unidades ópticas con zoom ajustable:
 - “BT-PROFILE160/OPTIC 15-30” (código de pedido: 6001): Alcance del zoom 15°-30°
 - “BT-PROFILE160/OPTIC 25-50” (código de pedido: 6002): Alcance del zoom 25°-50°
 - Compartimento cerrable para su uso y disponible de forma opcional:
 - **Soporte GOBO** (“BT-PROFILE160/GOBO HOLDER”, código de pedido: 6003)
Diámetros exteriores de los gobos: 86mm, diámetro óptico: 64,5mm
 - **IRIS** (“BT-PROFILE160/IRIS”, código de pedido: 6004)
Diámetro de apertura: ajustable de 5mm a 74mm
 - Funcionamiento de foco / zoom combinado con mecanismo de bloqueo
 - Compartimento de las lentes cerrable: acceso sencillo para la limpieza interna de las lentes
 - Puede sustituir cuatro fuentes ópticas ETC
 - La barrera óptica puede girarse y bloquearse en cualquier posición.

ANTES DEL USO

- Antes de comenzar a utilizar esta unidad, compruebe si no ha sufrido daños durante el transporte. Si hubiera alguno, no utilice el dispositivo y consulte primero con su distribuidor.
- **Importante:** Este dispositivo salió de nuestra fábrica en perfectas condiciones y bien embalado. Es absolutamente necesario que se obedezcan al pie de la letra las instrucciones y advertencias de

seguridad que aparecen en este manual de usuario. Cualquier daño causado por una mala manipulación no estará cubierto por la garantía. El distribuidor no aceptará ninguna responsabilidad por defectos o problemas resultantes causados por no obedecer lo indicado en este manual de usuario.

- Mantenga este folleto en un lugar seguro para futuras consultas. Si vende este equipo, asegúrese de incluir este manual de usuario.

Compruebe el contenido:

Verifique que la caja contenga los elementos siguientes:

- Manual de Usuario
- LED ENGINE 160W u OPTICS (15°-30° o 25°-50°)

INSTRUCCIONES DE SEGURIDAD:



CAUTION
RISK OF ELECTRIC SHOCK
DO NOT OPEN



PRECAUCIÓN: Para reducir el riesgo de descarga eléctrica, no retire la cubierta superior. Dentro no hay componentes que requieran de servicio por parte del usuario. Para todo tipo de servicio refiérase solamente a personal cualificado.



El símbolo de relámpago con punta de flecha dentro de un triángulo equilátero advierte al usuario de la presencia de una "tensión peligrosa" no aislada dentro de la carcasa del sistema que puede ser de una magnitud suficiente como para constituir un riesgo de descarga eléctrica.



El signo de admiración dentro de un triángulo equilátero advierte al usuario de la presencia de instrucciones importantes relacionadas con la operación y el mantenimiento en la literatura que se entrega junto con el equipo.



Este símbolo significa: sólo para uso en interiores



Este símbolo significa: Lea las instrucciones



Este símbolo significa: Equipo eléctrico de seguridad Clase I



Este símbolo determina: la distancia mínima desde los objetos iluminados. La distancia mínima entre la salida de luz y la superficie iluminada debe ser mayor de 1 metro



El dispositivo no es adecuado para el montaje directo sobre superficies normalmente inflamables. (es adecuado solamente para el montaje sobre superficies no combustibles)

RISK GROUP 2
CAUTION:
Do not stare at operating lamp

PRECAUCIÓN: No mire a las lámparas cuando estén encendidas. Pueden dañar la vista.

- Para proteger el medio ambiente, intente reciclar el material del embalaje en la mayor medida posible.
- Para evitar el riesgo de incendio o de descarga eléctrica, no exponga este aparato a la lluvia ni a la humedad.
- Para evitar que se forme condensación en el interior del equipo, permita que la unidad se adapte a la temperatura ambiental cuando se lleve a una habitación cálida después del transporte. La condensación impide a veces que la unidad trabaje a plena capacidad e incluso puede causar daños.
- Esta unidad es solamente para uso en interiores.
- No coloque objetos metálicos ni derrame líquidos dentro de la unidad. Puede dar como resultado una descarga eléctrica o un mal funcionamiento. Si un objeto extraño se introduce dentro de la unidad, desconecte de inmediato la alimentación eléctrica.
- Ubique el accesorio en un punto bien ventilado, lejos de materiales y/o líquidos inflamables. El aparato debe fijarse por lo menos a 50cm de las paredes circundantes.
- No cubra ninguna abertura de ventilación ya que esto puede provocar sobrecalentamiento.
- Evite emplearlo en ambientes polvorientos; limpie la unidad con regularidad.
- Mantenga la unidad lejos de los niños.
- Este equipo no debe ser utilizado por personas inexpertas.
- La temperatura ambiente máxima segura es de 40°C. No utilice esta unidad a temperaturas ambiente mayores que ésta.
- Asegúrese de que el área que se encuentra bajo el lugar de instalación esté libre de personas no autorizadas durante su elevación, descenso y reparación.

- Deje transcurrir alrededor de 10 minutos para que el dispositivo se enfríe antes de realizar cualquier labor de mantenimiento.
- Siempre desenchufe la unidad cuando no se vaya a utilizar durante un período de tiempo prolongado o cuando se vayan a realizar labores de mantenimiento.
- La instalación eléctrica debe realizarla solamente personal cualificado, de acuerdo con las regulaciones para la seguridad eléctrica y mecánica de su país.
- Compruebe que la tensión disponible sea la indicada en la unidad.
- El cable de alimentación debe estar siempre en perfectas condiciones. Apague de inmediato la unidad cuando el cable de alimentación esté aplastado o dañado. Si el cable de alimentación está dañado, debe ser sustituido por el fabricante, por su representante de servicio o por una persona de cualificación similar para evitar un accidente.
- ¡Nunca permita que el cable de alimentación haga contacto con otros cables!
- Este aparato debe conectarse a tierra para cumplir con las regulaciones de seguridad.
- No conecte la unidad a un dispositivo de atenuación.
- Cuando instale la unidad utilice siempre un cable de seguridad apropiado y certificado.
- Para evitar descargas eléctricas, no abra la cubierta. Dentro no hay componentes que requieran de servicio por parte del usuario.
- **Nunca** repare un fusible o puentee el soporte del fusible. ¡**Siempre** sustituya un fusible dañado con otro del mismo tipo y las mismas especificaciones eléctricas!
- En el caso de que haya serios problemas de funcionamiento, detenga el uso del aparato y contacte inmediatamente con su distribuidor.
- La carcasa y las lentes deben sustituirse si están visiblemente dañadas.
- Utilice el embalaje original cuando haya que transportar el dispositivo.
- Debido a razones de seguridad, está prohibido realizar modificaciones no autorizadas a la unidad.

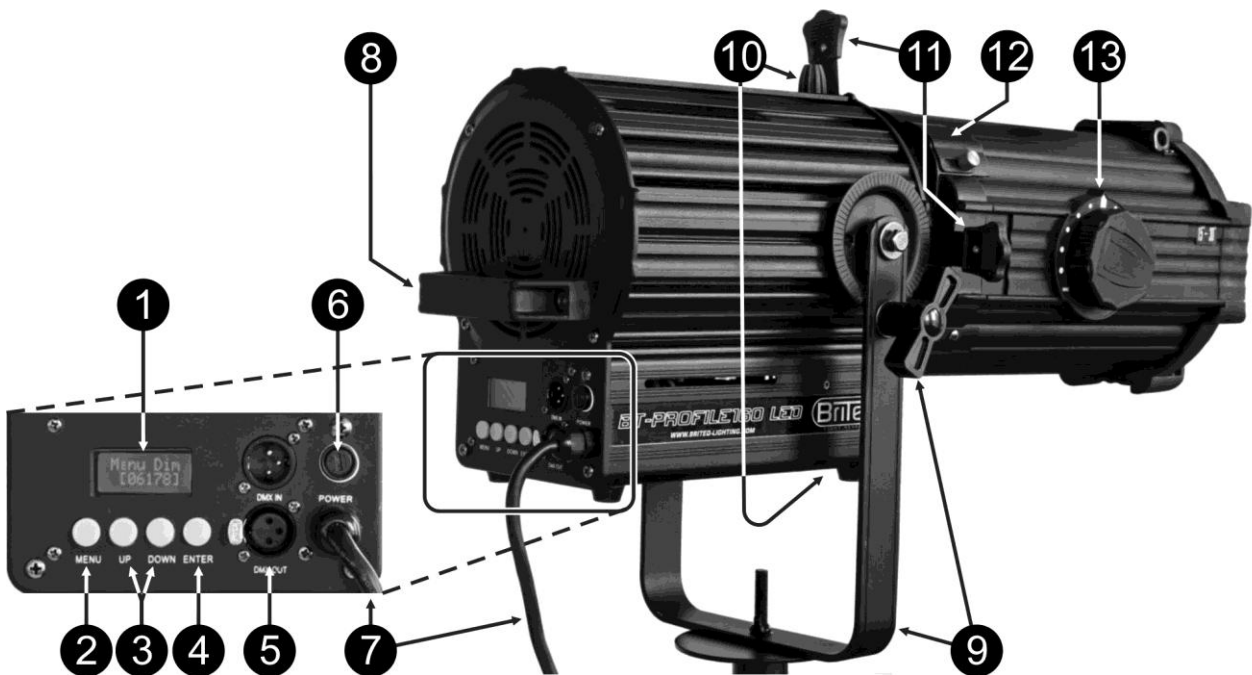
Importante: ¡Nunca mire directamente a la fuente de luz! No utilice el efecto en presencia de personas que padezcan de epilepsia.

ELEVACIÓN SOBRE CABEZA

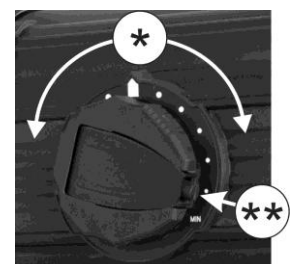
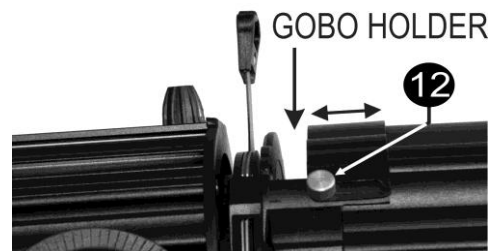
El proyector puede colocarse en cualquier soporte para proyectores estables o puede colgarlo de la pared o del techo. ¡En ese caso, siga las instrucciones de seguridad que aparecen debajo para asegurar una instalación adecuada!

- **Importante:** La instalación debe efectuarla solamente personal de servicio cualificado. Una instalación no adecuada puede dar como resultado lesiones serias y/o daños a la propiedad. ¡La elevación sobre cabeza requiere una experiencia extensa! Deben respetarse los límites de carga de trabajo, deben utilizarse materiales de instalación certificados, el dispositivo instalado debe inspeccionarse con regularidad por motivos de seguridad.
- Asegúrese de que el área que se encuentra bajo el lugar de instalación esté libre de personas no autorizadas durante su elevación, descenso y reparación.
- Ubique el accesorio en un punto bien ventilado, lejos de materiales y/o líquidos inflamables. El aparato debe fijarse **por lo menos a 50cm** de las paredes circundantes.
- El dispositivo debe instalarse fuera del alcance de las personas y fuera de las áreas donde haya paso de personas o donde éstas permanezcan sentadas.
- Antes de efectuar la elevación, asegúrese de que el área de instalación pueda sostener una carga puntual mínima de 10 veces el peso del dispositivo.
- Cuando instale la unidad, utilice siempre un cable de elevación certificado que pueda sostener 12 veces el peso del dispositivo. Esta segunda fijación de seguridad debe instalarse de forma que ninguna parte de la instalación pueda caer más de 20 cm si la fijación principal falla.
- El dispositivo debe fijarse bien, ¡un montaje de libre oscilación es peligroso y no debe considerarse!
- No cubra ninguna abertura de ventilación ya que esto puede provocar sobrecalentamiento.
- El operador tiene que estar seguro de que las instalaciones relacionadas con la seguridad y con la técnica de la máquina sean aprobadas por un experto antes de utilizarlas por primera vez. Las instalaciones deben inspeccionarse anualmente por una persona con experiencia para asegurarse de que la seguridad es óptima.

DESCRIPCIÓN:

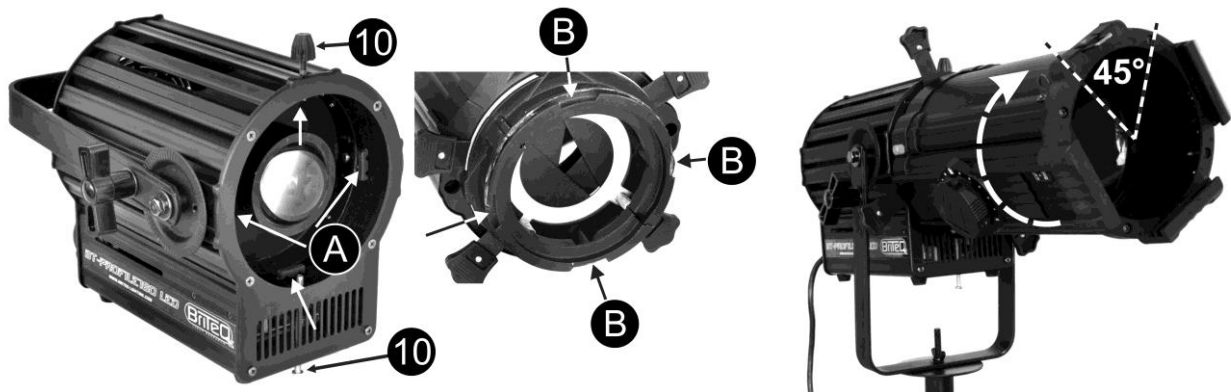


- 14. **PANTALLA:** Le ayuda con la configuración del LED ENGINE. La retroiluminación de la pantalla empieza a parpadear mientras que el proyector está en modo DMX y no se detecta DMX.
- 15. **Botón MENU:** se usa para buscar el menú de configuración; cada vez que se pulsa el botón se va al elemento siguiente.
- 16. **Botones ARRIBA/ABAJO:** se usa para cargar el valor de la característica seleccionada.
- 17. **Botón ENTER:** se usa para confirmar la selección seleccionada, ¡no lo olvide!
- 18. **ENTRADA/SALIDA DMX:** Dispone de entradas/salida de 3 y 5 patillas para conectar en serie el proyector con otras unidades que estarán controladas por un controlador DMX.
- 19. **FUSIBLE DE LA CORRIENTE:** Protege la unidad en caso de problemas eléctricos; ¡use siempre el fusible que se recomienda!
- 20. **Cable de alimentación** se usa para conectar el proyector a 230V/50Hz; asegúrese que está siempre en perfectas condiciones.
- 21. **ASA:** se usa para apuntar el proyector en la dirección deseada.
- 22. **SOPORTE:** se usa para colgar el proyector o fijarlo a un soporte de suelo; asegúrese que el botón está bien apretado.
- 23. **BOTONES DE SEGURIDAD PARA LENTES ÓPTICAS:** 2 botones para prevenir que las OPTICS puedan aflojarse del LED ENGINE. Para cambiar las lentes ópticas debe aflojar ambos botones; véase más instrucciones en el siguiente capítulo. Para girar simplemente las lentes ópticas a cierto ángulo, sólo tiene que aflojar un poco los botones.
- 24. **LÁMINAS DE PERFILES:** se usa para ajustar los bordes del haz de proyección.
- 25. **COMPARTIMENTO DEL GOBO/IRIS:** Este compartimento puede recibir el soporte IRIS o GOBO disponible de forma opcional. Para reducir la penetración de polvo, se puede cerrar el compartimento.
- 26. **BOTÓN ZOOM / FOCO:** el botón se usa para ajustar el ángulo del haz de 15° a 30° o desde 25° a 50°, dependiendo de las lentes ópticas instaladas. Pulse el botón de bloqueo (**) para desbloquear el mecanismo y gire el botón a la izquierda / derecha (*) para aumentar o disminuir el tamaño del haz. Al mismo tiempo el foco se puede adaptar de forma automática. Vuelva a bloquear el botón (**) para asegurar que la configuración permanece sin modificar.



INSTALACIÓN DE LAS LENTES ÓPTICAS

Para una flexibilidad máxima, el LED ENGINE y las OPTICS se venden por separado. Asimismo puede instalar las lentes ópticas de otras marcas que incluso aumenta la flexibilidad para empresas de alquiler profesional. En este capítulo describimos cómo instalar / intercambiar las lentes ópticas en el LED ENGINE.



- G. Afloje los 2 botones de seguridad (10) de forma que sea posible fijar las lentes ópticas al motor LED.
- H. En el LED ENGINE verá 4 protuberancias (A)
- I. En las OPTICS verá 4 ranuras (B)
- J. Coja las OPTICS y gírelas aproximadamente 45° de forma que las 4 protuberancias (A) y las 4 ranuras (B) se den entre sí y las dos partes se ajusten entre sí.
- K. Ahora gire las OPTICS aproximadamente 45°: ambas partes ahora están unidas.
- L. Apriete los 2 botones de seguridad (10) para asegurar que ambas partes permanecen juntas, mientras también gira las lentes ópticas.

Observación: al principio se necesita cierta práctica para instalar y retirar las lentes ópticas del motor LED; posteriormente, ¡será una cosa sencillísima para usted!

INSTRUCCIONES DE FUNCIONAMIENTO / MENÚ DE CONFIGURACIÓN

La salida de luz del proyector se puede controlar manualmente o mediante DMX. Abajo explicamos las diferentes funciones del menú de configuración:

Dirección DMX (DMX Addr)

Fije la dirección DMX y use el proyector en modo DMX.

- Pulse el botón MENU (2) hasta que la pantalla muestre "DMX Addr".
 - Pulse los botones UP/DOWN (3) para fijar la dirección DMX que desee.
 - Pulse el botón ENTER (4) para confirmarlo.
- ⇒ La pantalla muestra la dirección DMX mientras que el proyector funciona ahora en modo DMX.

Observación: si no se detecta señal DMX se detecta, la retroiluminación parpadeará para indicar que existe un problema.

Regulación de luz manual (Regulación de luz manual)

Fijar el regulador de luz manualmente usando los botones UP/DOWN (3).

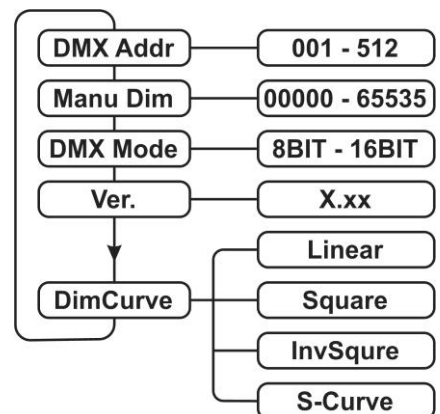
- Pulse el botón MENU (2) hasta que la pantalla muestre "Manu Dim".
- Pulse los botones UP/DOWN (3) para fijar la dirección DMX que desee.
- Pulse el botón ENTER (4) para confirmarlo.

Importante: si no confirma el valor del regulador de luz pulsando ENTER, el regulador de luz volverá (después de 5 segundos) de forma automática a la última configuración.

Modo DMX

Se usa para seleccionar si el regulador de luz debe funcionar en modo 8 bits o 16 bits mientras está controlado mediante DMX.

- Pulse el botón MENU (2) hasta que la pantalla muestre "DMX Mode"



- Pulse los botones UP/DOWN (3) para seleccionar una de las 2 opciones:
 - 8 BIT: el regulador de luz está controlado por 1 canal DMX; el regulador de luz de 8 bits presenta 256 pasos.
 - 16 BIT: el regulador de luz está controlado por 2 canales DMX; el regulador de luz de 16 bits presenta 65535 pasos y así es más preciso, en especial en la parte inferior de la curva del regulador de luz.
- Pulse el botón ENTER (4) para confirmarlo.

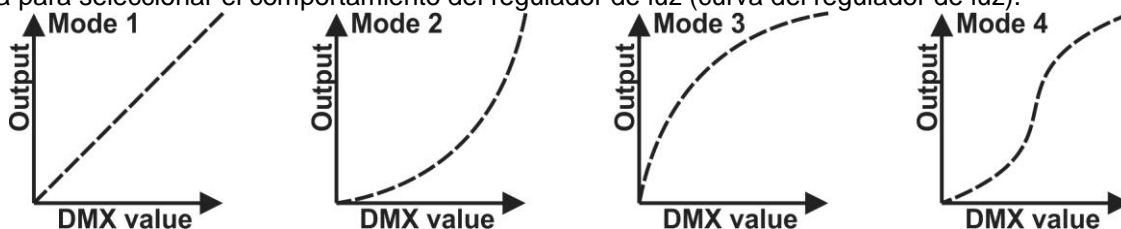
Versión de firmware (Ver.)

Muestra la versión actual del controlador.

- Pulse el botón MENU (2) hasta que la pantalla muestre “Ver.”
- ⇒ La pantalla muestra la versión actual del firmware.

Comportamiento del regulador de luz (Curva borrosa)

Se usa para seleccionar el comportamiento del regulador de luz (curva del regulador de luz).



- Pulse el botón MENU (2) hasta que la pantalla muestre “DimCurve”.
- Pulse los botones UP/DOWN (3) para seleccionar una de las 4 curvas disponibles (véase imágenes):
 - **Lineal** (Modo 1): la salida de luz varía linealmente con el valor del regulador de luz.
 - **Cuadrado** (Modo 2): la salida de luz puede ajustarse de forma más precisa tanto para los valores del regulador de luz bajos.
 - **Cuadrado inverso** (Modo 3): la salida de luz puede ajustarse de forma más precisa tanto para los valores del regulador de luz alto.
 - **Curva S** (Modo 4): la salida de luz puede ajustarse de forma más precisa tanto para los valores del regulador de luz altos y bajos.
- Pulse el botón ENTER (4) para confirmarlo.

Algunos comentarios extra de seguridad:

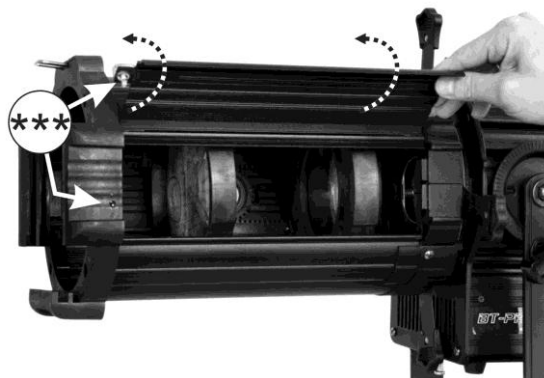
- Siempre desenchufe la unidad cuando no se vaya a utilizar durante un período de tiempo prolongado o cuando se vayan a realizar labores de mantenimiento.
- En el caso de que haya serios problemas de funcionamiento, detenga el uso del aparato y contacte inmediatamente con su distribuidor.
- **Importante:** ¡Nunca mire directamente a la fuente de luz! No use la función de estrobo en presencia de personas que padezcan epilepsia.

MANTENIMIENTO

- Asegúrese de que el área que se encuentra bajo el lugar de instalación esté libre de personas no autorizadas durante el mantenimiento.
- Apague la unidad, desenchufe el cable de alimentación y espere hasta que se enfríe.

Durante la inspección deben revisarse los puntos siguientes:

- Todos los tornillos utilizados para la instalación del dispositivo y cualquiera de sus componentes deben estar bien apretados y no pueden estar corroídos.
- Las carcasas, fijaciones y puntos de instalación (techo, estructuras truss, suspensiones) deben estar totalmente libres de cualquier deformación.
- Cuando una lente óptica está visiblemente dañada debido a grietas o arañazos profundos, debe sustituirse.
- Los cables de alimentación deben estar en condiciones impecables y deben sustituirse inmediatamente incluso si se detecta un problema pequeño.

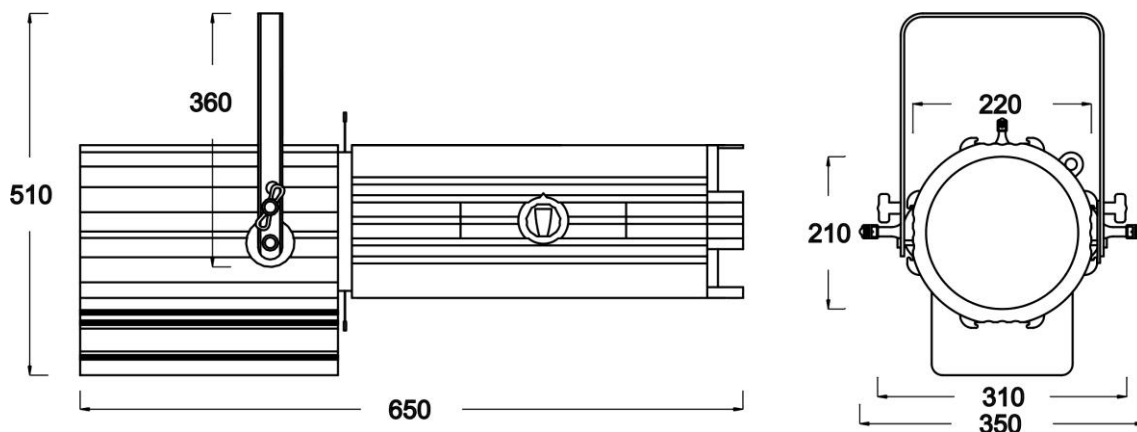


- Para proteger el dispositivo frente al sobrecalentamiento se deben limpiar mensualmente los ventiladores de refrigeración y las aberturas de ventilación.
- El interior del dispositivo debe limpiarse de forma periódica usando un aspirador o un chorro de aire.
- La limpieza de las lentes ópticas internas y externas debe realizarse de forma periódica para optimizar la salida de luz. La frecuencia de limpieza depende del entorno en el que opera el aparato; entornos húmedos, con humo o especialmente sucios pueden provocar una mayor acumulación de suciedad en los componentes ópticos de la unidad.
 - El compartimento de las lentes puede abrirse para tener un acceso sencillo a las lentes; véase la imagen: gire el botón plateado pequeño (***) para desbloquear la cubierta que cierra el compartimento de las lentes y abrirlo.
 - Limpie las lentes por el interior con un paño suave usando productos de limpieza de vidrio normal.
 - Siempre seque cuidadosamente las piezas.

Atención: ¡Recomendamos enfáticamente que la limpieza se lleve a cabo por personal cualificado!

ESPECIFICACIONES

Entrada de alimentación:	110Vac 60Hz / 230Vac 50Hz
Consumo de potencia:	165 Vatios a potencia máxima
Fusible:	250V 3A retardado (cristal 20mm)
Conexiones DMX:	XLR 3 pines macho / hembra
Canales DMX utilizados:	1 canal (8 bits) ~ 2canales (16 bits)
Lámpara:	Motor LED 160W COB blanco 3200K, CRI: ±88
Tamaño:	Véase dibujos
Peso:	6.10 kg (MOTOR LED) 5.25 kg (OPTICA)



La información podría modificarse sin aviso previo
 Puede descargar la versión más reciente de este manual de usuario en nuestro sitio Web:
www.briteq-lighting.com



WWW.BRITEQ-LIGHTING.COM

Copyright © 2014 by BEGLEC NV

't Hofveld 2C ~ B1702 Groot-Bijgaarden ~ Belgium

Reproduction or publication of the content in any manner, without express permission of the publisher, is prohibited.