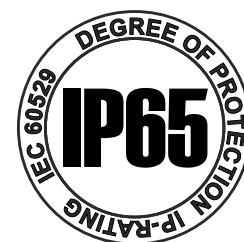
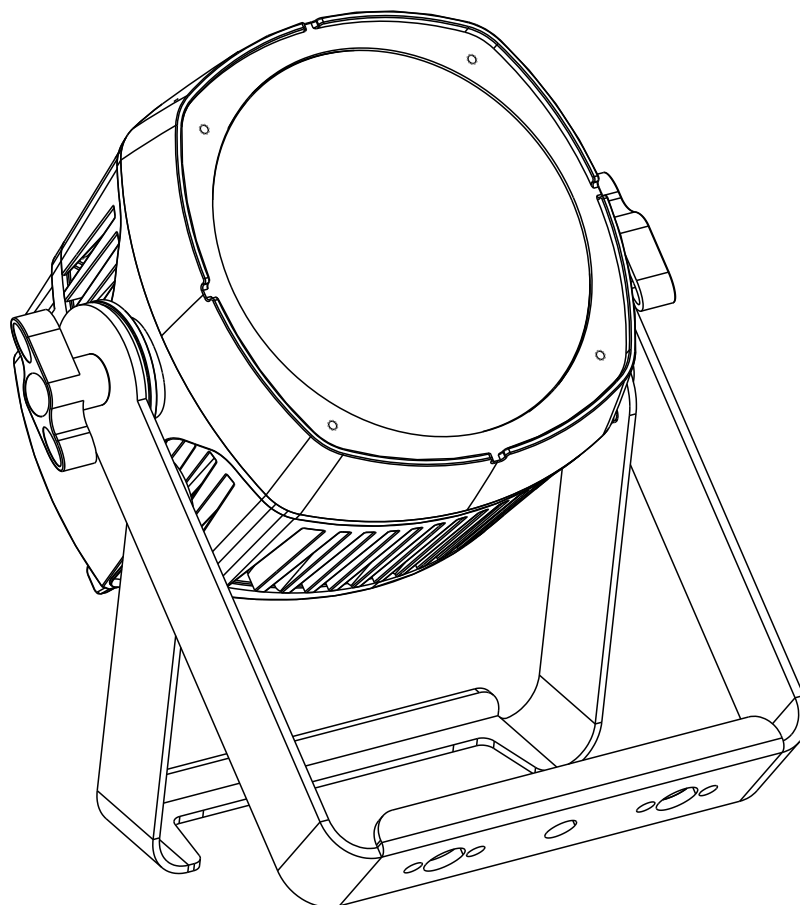


# BT-COLORAY 18FCR



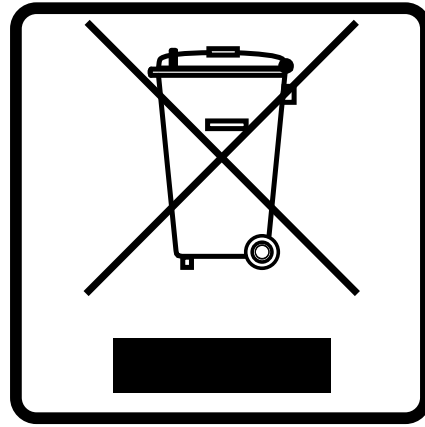
## ENGLISH Operation Manual

Other languages can be downloaded from:  
[WWW.BRITEQ-LIGHTING.COM](http://WWW.BRITEQ-LIGHTING.COM)



Version: 1.0





**EN - DISPOSAL OF THE DEVICE**

Dispose of the unit and used batteries in an environment friendly manner according to your country regulations.

**FR - DÉCLASSER L'APPAREIL**

Débarrassez-vous de l'appareil et des piles usagées de manière écologique Conformément aux dispositions légales de votre pays.

**NL - VERWIJDEREN VAN HET APPARAAT**

Verwijder het toestel en de gebruikte batterijen op een milieuvriendelijke manier conform de in uw land geldende voorschriften.

**DU - ENTSORGUNG DES GERÄTS**

Entsorgen Sie das Gerät und die Batterien auf umweltfreundliche Art und Weise gemäß den Vorschriften Ihres Landes.

**ES - DESHACERSE DEL APARATO**

Reciclar el aparato y pilas usadas de forma ecologica conforme a las disposiciones legales de su país.

**PT - COMO DESFAZER-SE DA UNIDADE**

Tente reciclar a unidade e as pilhas usadas respeitando o ambiente e em conformidade com as normas vigentes no seu país.

# OPERATION MANUAL

Thank you for buying this Briteq® product. To take full advantage of all possibilities and for your own safety, please read these operating instructions very carefully before you start using this unit.

## FEATURES

- This stylish 18x8W RGBW projector with a 20° beam angle is a very powerful tool for all kinds of events (stage, TV-show, exhibition booths, architectural lighting,...)
- IP65 rating
- Three different DMX-modes: 4, 6 and 7 channels.
- RDM-functionality for easy remote setup: DMX addressing, channel mode, ...
- The LCD-display assures easy navigation in the different setup menus.
- TV-Studio ready: flicker free 1200Hz LED refresh rate.
- Selectable lamp behavior: halogen lamp (slow) or led (fast)
- Four dimmer curves: linear, square, inverse square, S-curve
- In case of DMX failure you can choose between blackout and freeze mode.
- Lock function to avoid unwanted altering of the settings.
- White balance adjustment to perfectly match the colors of several projectors.
- Default factory settings + user settings can be saved/loaded.
- 5pin DMX in/outputs and Neutrik® TRUE1 PowerCON® in/outputs for easy daisy chaining.
- IP-Fan cooling for longer LED life.

## BEFORE USE

- Before you start using this unit, please check if there's no transportation damage. Should there be any, do not use the device and consult your dealer first.
- **Important:** This device left our factory in perfect condition and well packaged. It is absolutely necessary for the user to strictly follow the safety instructions and warnings in this user manual. Any damage caused by mishandling is not subject to warranty. The dealer will not accept responsibility for any resulting defects or problems caused by disregarding this user manual.
- Keep this booklet in a safe place for future consultation. If you sell the fixture, be sure to add this user manual.

### Check the contents:

Check that the carton contains the following items:

- English operating instructions, other languages can be downloaded from our website.
- BT-COLORAY 18FCR
- PowerCON TRUE1 mains cable

## SAFETY INSTRUCTIONS:



**CAUTION**  
RISK OF ELECTRIC SHOCK  
DO NOT OPEN



**CAUTION:** To reduce the risk of electric shock, do not remove the top cover. No user-serviceable parts inside. Refer servicing to qualified service personnel only.



The lightning flash with arrowhead symbol within the equilateral triangle is intended to alert the user or the presence of un-insulated "dangerous voltage" within the product's enclosure that may be of sufficient magnitude to constitute a risk of electric shock.



The exclamation point within the equilateral triangle is intended to alert the user to the presence of important operation and maintenance (servicing) instructions in the literature accompanying this appliance.



This symbol means: indoor use only



This symbol means: Read instructions



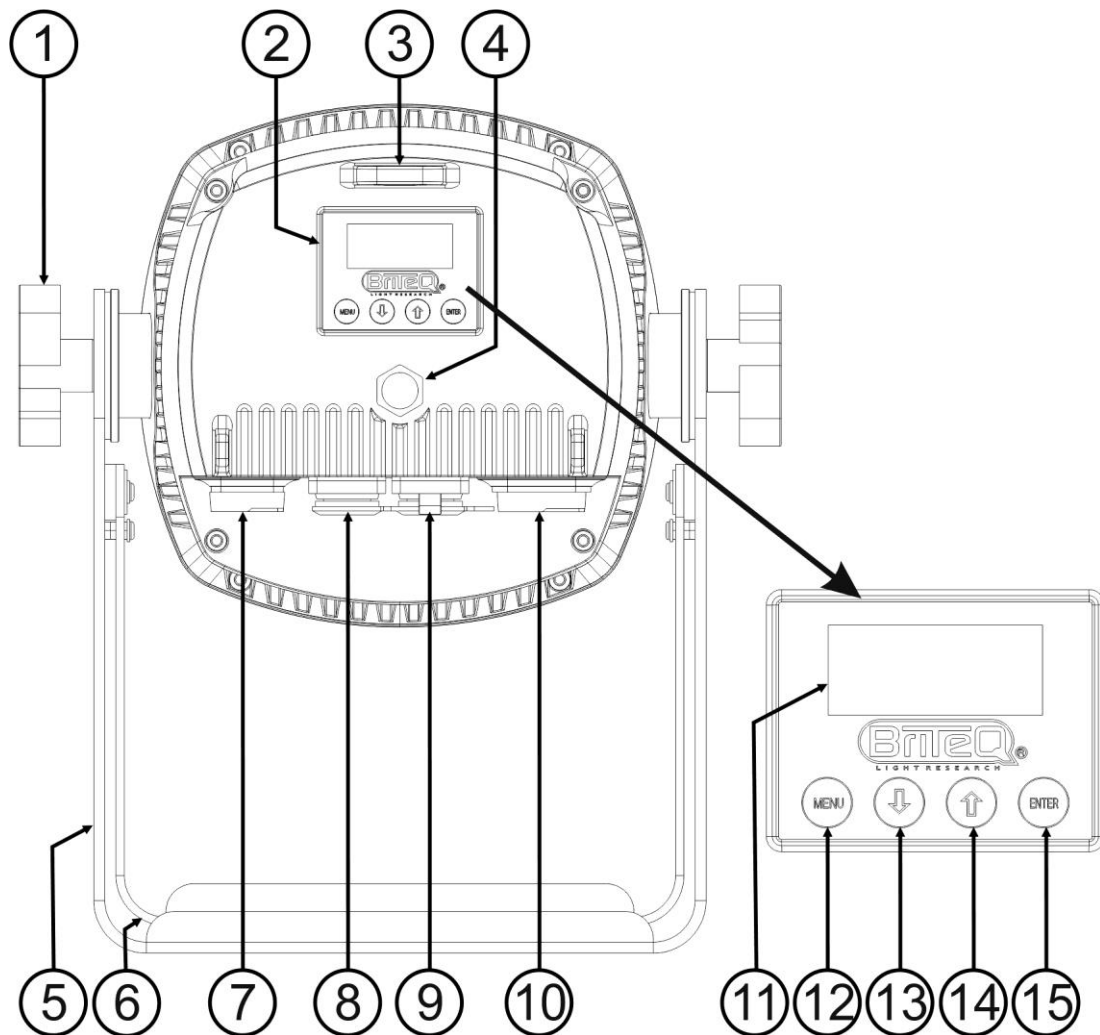
This symbol determines: the minimum distance from lighted objects. The minimum distance between light-output and the illuminated surface must be more than 1 meters

**RISK GROUP 2**  
**CAUTION:**  
Do not stare at operating lamp

**CAUTION:** Do not stare at operating lamp.  
May be harmful to the eyes.

- To protect the environment, please try to recycle the packing material as much as possible.
- To prevent fire or shock hazard, do not expose this appliance to rain or moisture.
- To avoid condensation to be formed inside, allow the unit to adapt to the surrounding temperatures when bringing it into a warm room after transport. Condense sometimes prevents the unit from working at full performance or may even cause damages.
- This unit is for indoor use only.
- Don't place metal objects or spill liquid inside the unit. Electric shock or malfunction may result. If a foreign object enters the unit, immediately disconnect the mains power.
- Locate the fixture in a well ventilated spot, away from any flammable materials and/or liquids. The fixture must be fixed at least 50cm from surrounding walls.
- Don't cover any ventilation openings as this may result in overheating.
- Prevent use in dusty environments and clean the unit regularly.
- Keep the unit away from children.
- Inexperienced persons should not operate this device.
- Maximum safe ambient temperature is 40°C. Don't use this unit at higher ambient temperatures.
- Make sure the area below the installation place is free from unwanted persons during rigging, de-rigging and servicing.
- Allow the device about 10 minutes to cool down before to start servicing.
- Always unplug the unit when it is not used for a longer time or before to start servicing.
- The electrical installation should be carried out by qualified personal only, according to the regulations for electrical and mechanical safety in your country.
- Check that the available voltage is not higher than the one stated on the unit.
- The power cord should always be in perfect condition. Switch the unit immediately off when the power cord is squashed or damaged. It must be replaced by the manufacturer, its service agent or similarly qualified persons in order to avoid a hazard.
- Never let the power-cord come into contact with other cables!
- This fixture must be earthed in order to comply with safety regulations.
- Don't connect the unit to any dimmer pack.
- Always use an appropriate and certified safety cable when installing the unit.
- In order to prevent electric shock, do not open the cover. Apart from the mains fuse there are no user serviceable parts inside.
- **Never** repair a fuse or bypass the fuse holder. **Always** replace a damaged fuse with a fuse of the same type and electrical specifications!
- In the event of serious operating problems, stop using the fixture and contact your dealer immediately.
- The housing and the lenses must be replaced if they are visibly damaged.
- Please use the original packing when the device is to be transported.
- Due to safety reasons it is prohibited to make unauthorized modifications to the unit.

**Important:** Never look directly into the light source! Don't use the effect in the presence of persons suffering from epilepsy.

**DESCRIPTION:**

1. **KNOB:** for fastening the unit in the desired position.
2. **DISPLAY SECTION:** shows the various menus and the selected functions.
3. **SAFETY EYE:** used to attach a safety cable when the unit is rigged, see paragraph "overhead rigging".
4. **VALVE:** serves to drain water or condensation.
5. **HANGING BRACKET:** with nuts for the use of the (optional) Briteq Omega Bracket Small (code: 02677). you can use the hole in the center of the bracket to fix a hook or truss clamp.
6. **HANGING BRACKET:** inner part of the hanging bracket. Used to put the projector on the floor.
7. **MAINS INPUT:** equipped with original Neutrik TRUE1 PowerCON®. Connect the supplied mains cable or any TRUE1 PowerCon® extension or combi cable here.
8. **DMX IN:** 5p XLR connector used to connect the projector with other units or a DMX-controller. The DMX-input is also used to update the firmware of the projector, see the upgrade instructions on our website.
9. **DMX OUT:** 5p XLR connector used to daisy chain the projector with other units.
10. **MAINS OUTPUT:** equipped with original Neutrik TRUE1 PowerCON®. Used to daisy chain the power to several other projectors. Always pay attention to the maximum load while adding projectors! Special Multi cables (TRUE1 PowerCON® + DMX XLR-cables are optionally available: see our website!)
11. **DISPLAY:** shows the various menus and the selected functions.
12. **MENU-button:** used to browse the different menu options or to exit a menu option.
13. **▼-button:** used to go to the next menu option or to decrease a parameter value.
14. **▲-button:** used to go to the previous menu option or to increase a parameter value.
15. **ENTER-button:** used to select a menu option or confirm a setting.

## OVERHEAD RIGGING

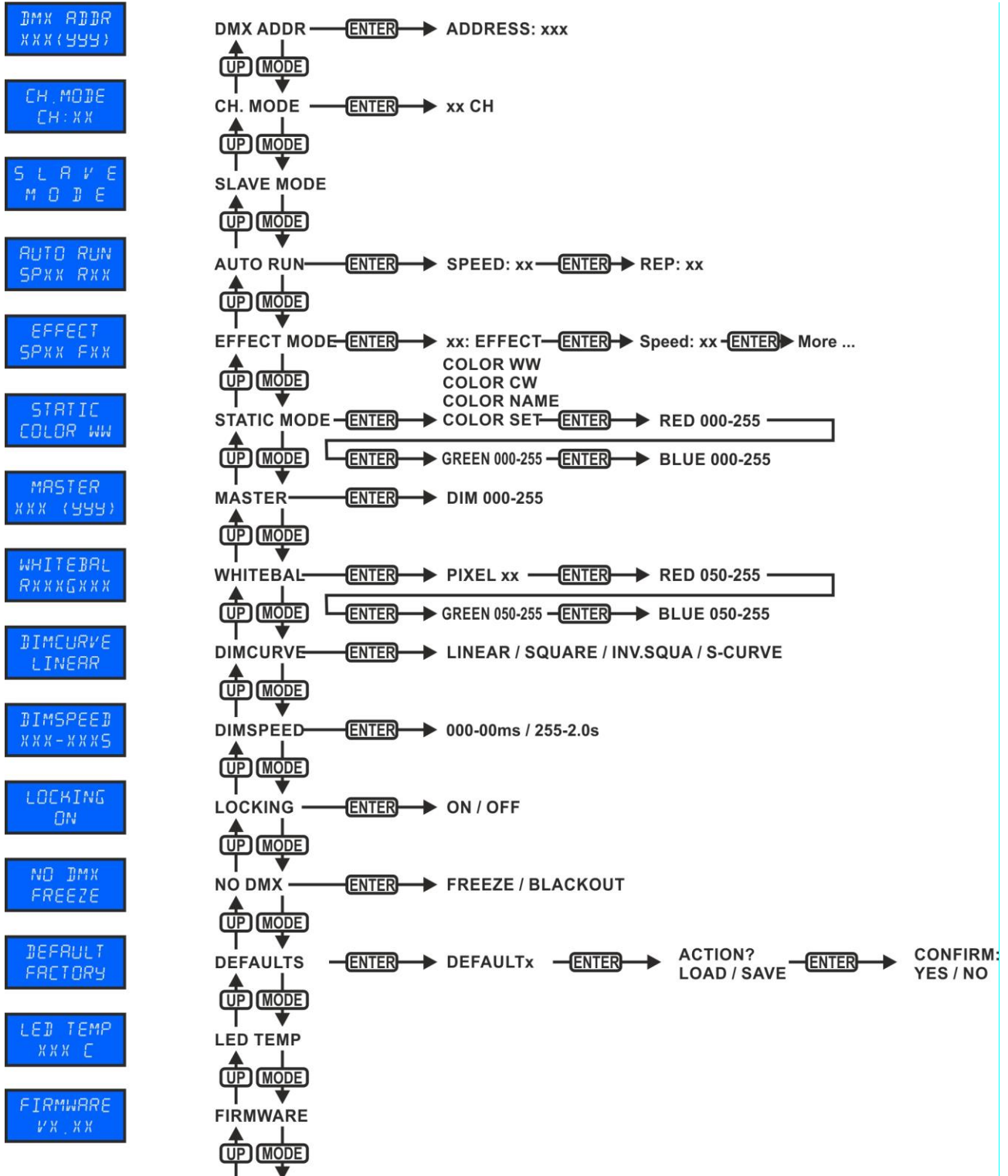
**Important:** The installation must be carried out by qualified service personal only. Improper installation can result in serious injuries and/or damage to property. Overhead rigging requires extensive experience! Working load limits should be respected, certified installation materials should be used, the installed device should be inspected regularly for safety.

- Make sure the area below the installation place is free from unwanted persons during rigging, de-rigging and servicing.
- Locate the fixture in a well ventilated spot, far away from any flammable materials and/or liquids. The fixture must be fixed **at least 50cm** from surrounding walls.
- The device should be installed out of reach of people and outside areas where persons may walk by or be seated.
- Before rigging make sure that the installation area can hold a minimum point load of 10times the device's weight.
- Always use a certified safety cable that can hold 12times the weight of the device when installing the unit. This secondary safety attachment should be installed in a way that no part of the installation can drop more than 20cm if the main attachment fails.
- The device should be well fixed; a free-swinging mounting is dangerous and may not be considered!
- Don't cover any ventilation openings as this may result in overheating.
- The operator has to make sure that the safety-relating and machine-technical installations are approved by an expert before using them for the first time. The installations should be inspected every year by a skilled person to be sure that safety is still optimal.

# SETUP MENU / HOW TO SETUP

With the setup menu you can fully configure the projector. All settings are preserved when the unit is disconnected from the mains.

- To select any of the functions, press the [MENU] button until the required function is shown on the display or use the ▲/▼ buttons to browse the menu.
- Select the function with the [ENTER] button.
- Use ▲/▼ buttons to change the values.
- Once the required value is selected, press the [ENTER] button to confirm.



**[DMX ADDR]**

Used to set the desired DMX-address.

- Press the [MENU] button or ▲/▼ buttons until the desired function is showing on the display.
- Press the [ENTER] button: the DMX value can now be changed
- Use ▲/▼ buttons to select the desired DMX512 address. The last occupied DMX-address is also shown: this makes it easier to set the address of the next unit in the chain.
- Once the correct address shows on the display, press the [ENTER] button to save it.

*Note: on RDM-compatible controllers this option can also be remotely set.*

**[CHANNEL MODE]**

Used to set the desired channel mode.

- Press the [MENU] button or ▲/▼ buttons until the desired function is showing on the display.
- Press the [ENTER] button: the values can be changed
- Use ▲/▼ buttons to select the desired mode:
  - **[4CH RGB+DIM]**: R+G+B can be set separately, with combined strobe + master dimmer on CH4.
  - **[6CH]**: R+G+B+W can be set separately, with separate master dim & strobe channels.
  - **[7CH]**: R+G+B+W can be set separately, with separate master dim, strobe & dim speed channels
- Once the correct option shows on the display, press the [ENTER] button to save it.

*Remark: on RDM-compatible controllers this option can also be remotely set.*

**[SLAVE MODE]**

Used to set the projector as slave in a master/slave setup.

- Press the [MENU] button or ▲/▼ buttons until the desired function is showing on the display.
- Press the [ENTER] button

**[AUTO RUN]**

Used to run all the internal automatic programs automatically.

- Press the [MENU] button or ▲/▼ buttons until the desired function is showing on the display.
- Use ▲/▼ buttons to select the desired **playback speed** from 01 (very slow) to 99 (fast).
- Once the correct value is shown on the display you have to press the [ENTER] button to confirm.
- Use ▲/▼ buttons to select the desired **[R] Repetitions** from 01 to 99.
- Once the correct value is shown on the display, press the [ENTER] button to save it.

**[EFFECT MODE]**

Used to set the desired effect mode while used as master.

- Press the [MENU] button or ▲/▼ buttons until the desired function is showing on the display.
- After 1 second, the last selected effect will start running. The name of the effect is now written on the display
- Press the [ENTER] button: the values can be changed
- Use ▲/▼ buttons to selected the desired mode:
  - **[COL.CH04]** (COLOR CHANGE 4) 4 colors change automatically without fading.
  - **[COL.CH15]** (COLOR CHANGE 15) 15 colors change automatically without fading.
  - **[COL.FADE]** (COLOR FADE) colors change with a nice fading effect.
- Once the desired option is shown on the display you have to press the [ENTER] button to confirm.
- Use ▲/▼ buttons to select the desired **playback speed** from 01 (very slow) to 99 (fast).
- Once the correct value is shown on the display you have to press the [ENTER] button to confirm.
- Use ▲/▼ buttons to select the desired **strobe speed** from 00 (NO strobe) to 99 (fast).
- Once the correct value is shown on the display, press the [ENTER] button to save it.

**[STATIC COLOR MODE]**

Used to set the desired fixed color while used standalone without controller or as master in a master/slave configuration : 9 preset colors + 1 custom color.

- Press the [MENU] button or ▲/▼ buttons until the desired function is showing on the display.
- Press the [ENTER] button: the values can be changed
- Use [DOWN] and [UP] buttons to selected the desired color:
  - **[COLOR WW]** warm white 3200K
  - **[COLOR CW]** warm white 5600K
  - **[RED]**
  - **[ORANGE]**



- [YELLOW]
- [GREEN]
- [CYAN]
- [BLUE]
- [PURPLE]
- [SET] this is a color that can be set by the user. Follow these steps:
  - Press the [ENTER] button: the display shows the value (000-255) for RED. (use ▲/▼ buttons)
  - Press the [ENTER] button: the display shows the value (000-255) for GREEN. (use ▲/▼ buttons)
  - Press the [ENTER] button: the display shows the value (000-255) for BLUE. (use ▲/▼ buttons)
  - Press the [ENTER] button: the display shows the value (000-255) for WHITE. (use ▲/▼ buttons)
  - Press the [ENTER] button: the display shows the value (000-099) for STROBE. (use ▲/▼ buttons)
- Press the [ENTER] button to save your setting.

**[MASTER DIM]**

Used to set the master dimmer while used as master.

- Press the [MENU] button or ▲/▼ buttons until the desired function is showing on the display.
- Press the [ENTER] button: the values can be changed
- Use ▲/▼ buttons to select the desired level for the master dimmer. (please note that the last selected static color will be used to set the value)
- Once you have the desired level, press the [ENTER] button to save it.

**Note:** the setting of this option has NO effect while the projector is used as SLAVE or in DMX-mode.

**[WHITE BALANCE]**

Used to set the white balance or to perfectly match the colors of several projectors.

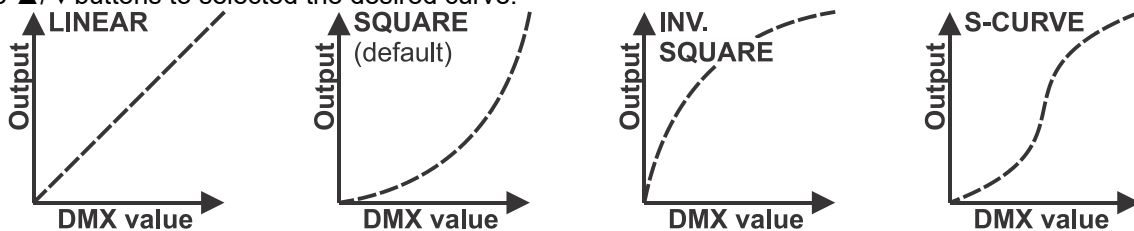
- Press the [MENU] button or ▲/▼ buttons until the desired function is showing on the display.
- Press the [ENTER] button: the display shows the value (050-255) for RED. (change with ▲/▼ buttons)
- Press the [ENTER] button: the display shows the value (050-255) for GREEN. (change with ▲/▼ buttons)
- Press the [ENTER] button: the display shows the value (050-255) for BLUE. (change with ▲/▼ buttons)
- Press the [ENTER] button: the display shows the value (050-255) for WHITE. (change with ▲/▼ buttons)
- Once you have set the desired levels, press the [ENTER] button to save them.

**Note:** the setting of this option affects all color settings, static colors and DMX-controlled colors.

**[DIMMER CURVE]**

Used to set the dimmer curve of the master dimmer.

- Press the [MENU] button or ▲/▼ buttons until the desired function is showing on the display.
- Press the [ENTER] button: the values can be changed
- Use ▲/▼ buttons to selected the desired curve:



- Once you have the desired curve, press the [ENTER] button to save it.

**[DIM SPEED]**

Used to select the reaction time of the projector.

- Press the [MENU] button or ▲/▼ buttons until the desired function is showing on the display.
- Press the [ENTER] button: the values can be changed
- Use ▲/▼ buttons to select the desired value: (between 000 (0 ms) and 255 (2 sec))
  - [000-00ms] The projector follows the instructions instantly, no delay.
  - [255-2.0s] The projector imitates the behavior of a halogen lamp (slower reaction time).
- Once the correct option shows on the display, press the [ENTER] button to save it.

**[LOCKING]**

Used to lock the setup menu against unwanted altering of the settings.

- Press the [MENU] button or ▲/▼ buttons until the desired function is showing on the display.

- Press the [ENTER] button: the values can be changed
- Use ▲/▼ buttons to select the desired mode:
  - [OFF] The setup menu can be used at any time.
  - [ON] After a short time the setup menu locks automatically, the display shows [LOCKED \*\*\*\*\*]. Unlock the display by pressing the buttons in this order: **UP, DOWN, UP, DOWN, ENTER.**
- Once the correct option shows on the display, press the [ENTER] button to save it.

**[NO DMX FREEZE]**

Used to set how the projector reacts when the DMX-signal suddenly disappears.

- Press the [MENU] button or ▲/▼ buttons until the desired function is showing on the display.
- Press the [ENTER] button: the values can be changed
- Use ▲/▼ buttons to select the desired mode:
  - **BLACKOUT** output turns black while no DMX is detected.
  - **FREEZE** output based on the last valid DMX-signal is kept on the projector.
- Once the correct option shows on the display, press the [ENTER] button to save it.

*Note: as soon as the input detects a DMX-signal, blackout or freeze mode will be cancelled.*

**[DEFAULT SETTINGS]**

This is your emergency exit if you really messed up the settings: just return to factory settings. Also user settings can be saved/loaded.

- Press the [MENU] button or ▲/▼ buttons until the desired function is showing on the display.
- Press the [ENTER] button: the values can be changed
- Use ▲/▼ buttons to selected the desired settings:
  - [FACTORY]
  - [USER]
- Press the [ENTER] button:
  - [FACTORY] was selected: the display shows [LOAD]
    - Press the [ENTER] button.
    - Use ▲/▼ buttons to select [YES / NO]
    - Press the [ENTER] button to confirm.
  - [USER] was selected:
    - Use ▲/▼ buttons to select [LOAD / SAVE]
    - Press the [ENTER] button to confirm.
    - Use ▲/▼ buttons to select [YES / NO]
    - Press the [ENTER] button to confirm.
      - [SAVE] was selected: the current settings of the setup menu are saved to memory.
      - [LOAD] was selected: the previously saved settings are loaded.

Default factory settings:

PARAMETER name	Defaults factory	USER defaults 1	USER defaults 2
DMX Channel mode	CH06	Current setting in the menu	Current setting in the menu
AUTO RUN Chase repeat	SP=50 R=5	Current setting in the menu	Current setting in the menu
EFFECT MODE	CFADE SP=50 F=00	Current setting in the menu	Current setting in the menu
CUSTOM Static color	[COLOR WW]	Current custom color settings	Current custom color settings
MASTER DIM	100%	Current setting in the menu	Current setting in the menu
WHITE BALANCE	RGBW = 255	Current white balance settings	Current white balance settings
DIM Curve	[SQUARE]	Current setting in the menu	Current setting in the menu
DIMSPEED	[100-0.4s]	Current setting in the menu	Current setting in the menu
Locking	OFF	Current setting in the menu	Current setting in the menu
No DMX mode	[FREEZE]	Current setting in the menu	Current setting in the menu

**[LED TEMP]**

Used to show the current temperature of the LED.

- Press the [MENU] button or ▲/▼ buttons until the desired function is showing on the display.

**[FIRMWARE VERSION]**

Used to show the current version of the firmware.

- Press the [MENU] button or ▲/▼ buttons until the desired function is showing on the display.

The firmware of this unit can be upgraded using the Briteq Firmware updater 2

Each time the projector is switched on, the display shows “UPDATE Wait ...”: while this message shows on the display you can start the update using our special upgrade tool. More information about this can be found in the user manual of the upgrade tool and / or our website: [www.briteq-lighting.com](http://www.briteq-lighting.com)

## ELECTRICAL INSTALLATION

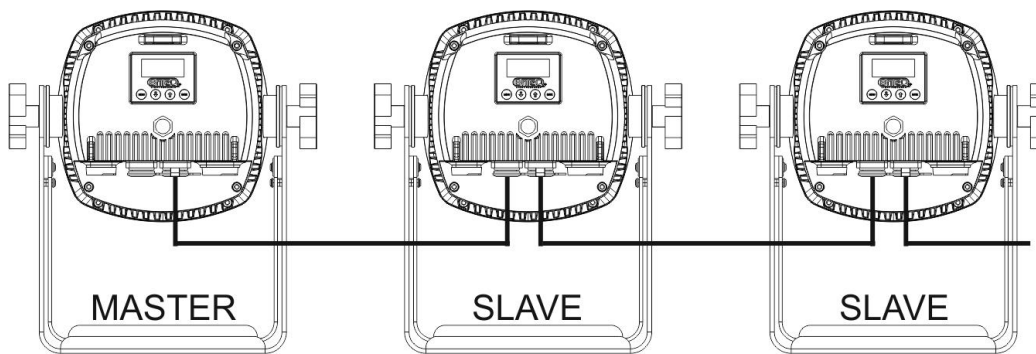


**Important:** The electrical installation should be carried out by qualified personal only, according to the regulations for electrical and mechanical safety in your country.

### Master / Slave mode:

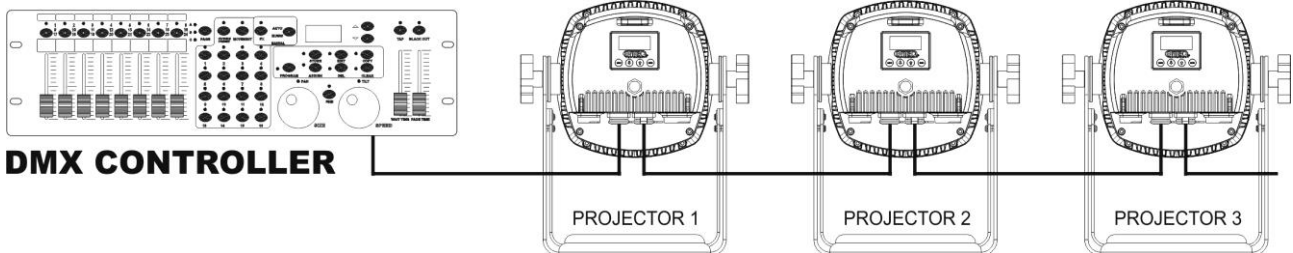
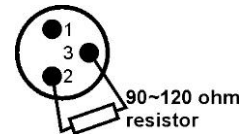
Connect the projectors together as shown on the drawing. Please refer to the paragraph “SETUP MENU” to setup the master. You can also switch the IR-remote on the master to ON and use the included IR-remote. All slaves must be set to SLAVE-mode. You can put as many slaves as you like on condition that the overall power consumption on the power line stays under 10A (2300W).

**IMPORTANT: make sure that no DMX-controller is connected, this will result in unexpected behavior!**



### Electrical installation for two or more units in DMX-mode:

- The DMX-protocol is a widely used high speed signal to control intelligent light equipment. You need to “daisy chain” your DMX controller and all the connected units.
- Pin layout XLR-5pin: Pin1 = GND ~ Pin2 = Negative signal (-) ~ Pin3 = Positive signal (+)
- To prevent strange behavior of the light effects, due to interferences, you must use a 90Ω to 120Ω terminator at the end of the chain. Never use Y-splitter cables, this simply won't work!
- Make sure that all units are connected to the mains.
- Each unit in the chain needs to have its proper starting address so it knows which commands from the controller it has to decode. In the next section you will learn how to set the DMX addresses.



## RDM FUNCTIONS / REMOTE SETUP

RDM means “Remote Device Management”. This projector works with a brief set of RDM-functions which means that it can setup a bi-directional communication with an RDM-compatible DMX-controller. Some of these functions are briefly explained below, others will be added in the future.

- The DMX-controller sends out a “discovery command”, all RDM devices respond and send their unique device ID.
- The DMX-controller asks each RDM device for some basic data so it knows which devices are connected. The projector will respond:
  - **Device name:** BT-COLORAY 18FCR
  - **Manufacturer:** Briteq®

- **Category:** LED Dimmer
  - **Firmware:** x.x.x.x (firmware version of the projector)
  - **DMX address:** xxx (current DMX start address of the projector)
  - **DMX footprint:** xx (number of DMX-channels used by the projector)
  - **Personality:** xx (current personality [or DMX-working mode] used by the projectors)
- The DMX-controller can send certain commands to each RDM device which allow remote setup of the units. Thanks to this the projector can be setup remotely.

**The following functions can be managed remotely:**

No more need to take a ladder and set all units one by one!

- **DMX START ADDRESS:** The start address can be set remotely from 001 to xxx.
- **PERSONALITY:** The DMX working mode (DMX-chart) can be set remotely.

These 2 functions make it possible to prepare a complete DMX-patch of all projectors on the DMX-controller and send these data to all projectors at once. More functions will be added later.

## OPERATING INSTRUCTIONS

**Note:** when the projector is switched on the display shows “[UPDATE WAIT ...]” This message informs you that IF you want to upgrade the firmware, you should do it while this message is shown on the display. For normal use you can ignore this message completely.

### A. Standalone 1 unit:

- Just connect the projector to the mains.
- Select one of the standalone options, [AUTO RUN] [EFF MODE] or [STATIC COLOR]
- Adjust the master dimmer [MASTER DIM] if necessary
- Refer to chapter HOW TO SETUP to learn how to set the menu options.

### B. Two or more units in master/slave setup:

- Connect the units together. Refer to the chapter “electrical installation” to learn how to do this.
- Select one of the standalone options, [AUTO RUN] [EFF MODE] or [STATIC COLOR] in the first projector of the chain. This “Master” unit will send all the information to the slave units. This means all the main program settings need to be done in this “Master” unit.
- Adjust the master dimmer [MASTER DIM] if necessary
- Set all the other projectors in SLAVE mode
- The slave projectors will now follow the settings of the master projector so they all work synchronously.

### C. Controlled by universal DMX-controller:

- Connect all units together. Refer to the chapter “Electrical installation for two or more units in DMX-mode” to learn how to do this (don’t forget to address all units properly!)
- Connect all units to the mains and turn on the DMX controller.

Since each unit has its own DMX-address, you can control them individually. Remember that each unit can use a different number of DMX-channels, depending on the DMX-mode you have selected in the menu. See the different DMX charts below:

#### 04CH RGB+DIM channel DMX-Mode: RGB + MASTER / DIM / STROBE

Channel:	Value:	Function:	Remarks
1	000-255	Red (0-100%)	
2	000-255	Green (0-100%)	
3	000-255	Blue (0-100%)	
4	000-200	Master dimmer	000=0% ~ 200=100% (full open)
	201-247	Strobe	Increasing speed: 201=slow ~ 247=fast
	248-255	Master dimmer @ 100%	Master dimmer is full open

**06CH channel DMX-Mode: RGBW + MASTER DIM + STROBE**

Channel:	Value:	Function:	Remarks
1	000-255	Red (0-100%)	
2	000-255	Green (0-100%)	
3	000-255	Blue (0-100%)	
4	000-255	White (0-100%)	
5	000-255	Master dimmer (0-100%)	
6	000-004	ON (no strobe)	
	005-255	Strobe	Increasing speed: 005=slow ~ 255=fast

**07CH RGBW+D+S+DIMSPEED The 4 colors can be set separately, with combined strobe + master dimmer.**

Channel:	Value:	Function:	Remarks
1	000-255	Red (0-100%)	
2	000-255	Green (0-100%)	
3	000-255	Blue (0-100%)	
4	000-255	White (0-100%)	
5	000-255	Master dimmer (0-100%)	
6	000-004	ON (no strobe)	
	005-255	Strobe	Increasing speed: 005=slow ~ 255=fast
7	000-255	DIM SPEED	Increasing dimming speed : 000=fast ~ 255=slow

**MAINTENANCE**

- Make sure the area below the installation place is free from unwanted persons during servicing.
- Switch off the unit, unplug the mains cable and wait until the unit has been cooled down.

**During inspection the following points should be checked:**

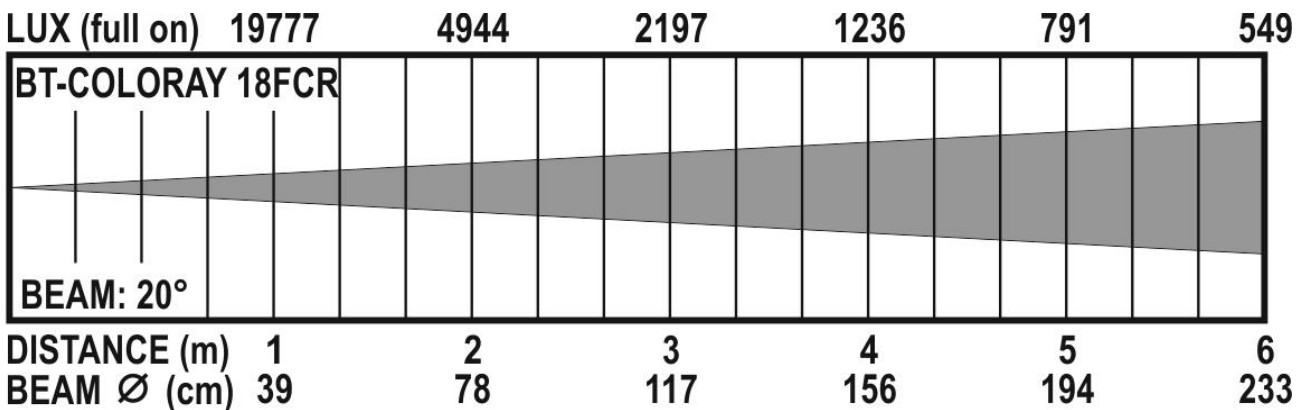
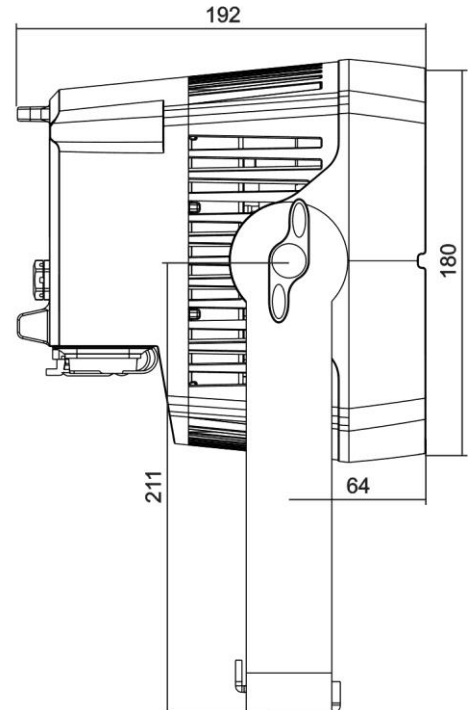
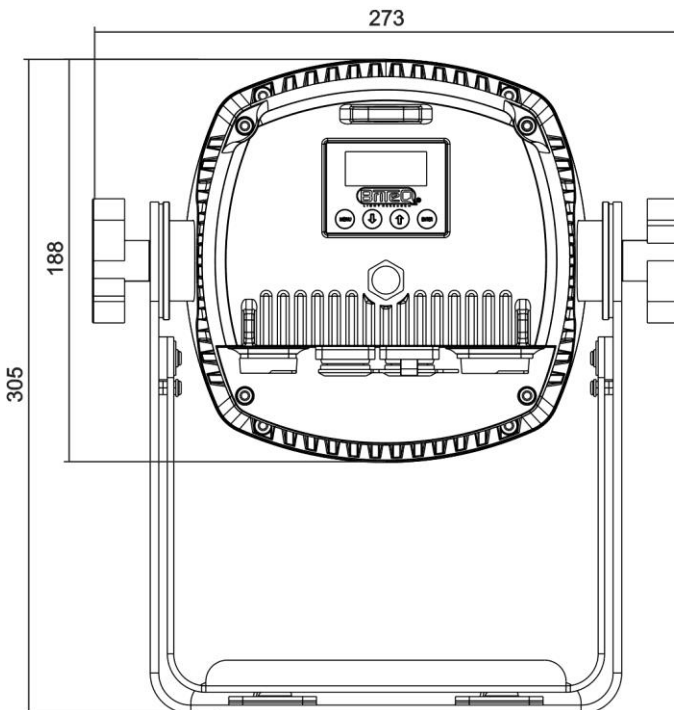
- All screws used for installing the device and any of its parts should be tightly fastened and may not be corroded.
- Housings, fixations and installations spots (ceiling, truss, suspensions) should be totally free from any deformation.
- When an optical lens is visibly damaged due to cracks or deep scratches, it must be replaced.
- The mains cables must be in impeccable condition and should be replaced immediately when even a small problem is detected.
- In order to protect the device from overheat the cooling fans (if any) and ventilation openings should be cleaned monthly.
- The interior of the device should be cleaned annually using a vacuum cleaner or air-jet.
- The cleaning of internal and external optical lenses and/or mirrors must be carried out periodically to optimize light output. Cleaning frequency depends on the environment in which the fixture operates: damp, smoky or particularly dirty surroundings can cause greater accumulation of dirt on the unit's optics.
  - Clean with a soft cloth using normal glass cleaning products.
  - Always dry the parts carefully.

**Attention: We strongly recommend internal cleaning to be carried out by qualified personnel!**

# SPECIFICATIONS

This unit is radio-interference suppressed. This product meets the requirements of the current European and national guidelines. Conformity has been established and the relevant statements and documents have been deposited by the manufacturer.

<b>Mains Input:</b>	AC 100 - 240V, 50/60Hz
<b>Power consumption:</b>	123 Watt
<b>Power connections:</b>	Neutrik® PowerCON TRUE1® - 16A Power linking capacity.
<b>DMX connections:</b>	5pin-XLR male / female
<b>DMX channels used:</b>	3 modes (4, 6, 7ch)
<b>Lamp:</b>	18x8W RGBW
<b>Beam Angle:</b>	20°
<b>IP-Rating:</b>	IP65
<b>Size:</b>	see drawing
<b>Weight:</b>	5,28 kg



The information might be modified without prior notice  
 You can download the latest version of this user manual on our website: [www.briteq-lighting.com](http://www.briteq-lighting.com)





## MAILING LIST

**EN: Subscribe today to our mailing list for the latest product news!**

**FR: Inscrivez-vous à notre liste de distribution si vous souhaitez suivre l'actualité de nos produits!**

**NL: Abonneer je vandaag nog op onze mailinglijst en ontvang ons laatste product nieuws!**

**DE: Abonnieren Sie unseren Newsletter und erhalten Sie aktuelle Produktinformationen!**

**ES: Suscríbete hoy a nuestra lista de correo para recibir las últimas noticias!**

**PT: Inscreva-se hoje na nossa mailing list para estar a par das últimas notícias!**

**[WWW.BRITEQ-LIGHTING.COM](http://WWW.BRITEQ-LIGHTING.COM)**

**Copyright © 2018 by BEGLEC NV**

't Hofveld 2C ~ B1702 Groot-Bijgaarden ~ Belgium

Reproduction or publication of the content in any manner, without express permission of the publisher, is prohibited.