

BTX-SATURN

04428

DESCRIPTION

PRO 270W LED-moving head with 8-45° zoom, CMY-color mixing, CTO, CTB, UV, Iris, Frost, gobo morphing, ...

FEATURES

- High efficiency moving head projector based on a powerful 270W LED engine!
- Wide range electronic zoom, from 8° to 45° + motorized focus.
- Silence mode for theater applications.
- Fast 540° pan and 270° tilt movements.
- 16bit resolution pan/tilt resolution with position correction and pan/tilt speed channel.
- CMY color mixing to create lots of saturated and pastel colors.
- 9 extra fixed colors including 2 CTO, one CTB and UV.
- 7 replaceable rotating gobos with fine indexing.
- 9 fixed static gobos for gobo morphing.
- Rotating 3 facets prism.
- Iris module for dynamic effect.
- Variable frost filter for perfect wash effect.
- Aperture diaphragm for excellent logo projection.
- Opening/closing pulse, ramp and random effects on zoom, iris and frost channels.
- Four dimmer curves: linear, square, inverse square, S-curve, fast and slow dimming mode.
- Accurate strobe with built in random, pulse and burst effects.
- 3 focus compensate distances to always keep the focus according to the zoom opening.
- Uses 25 DMX channels + RDM-functionality for easy remote setup.
- Easy USB firmware update to keep the moving head up-to-date at all times.
- The matrix LCD-display assures easy navigation in the different setup menus
- 3 & 5pin DMX in/outputs + Neutrik PowerCON TRUE1 in/outputs for easy daisy chaining.
- Equipped with omega brackets for fast installation.

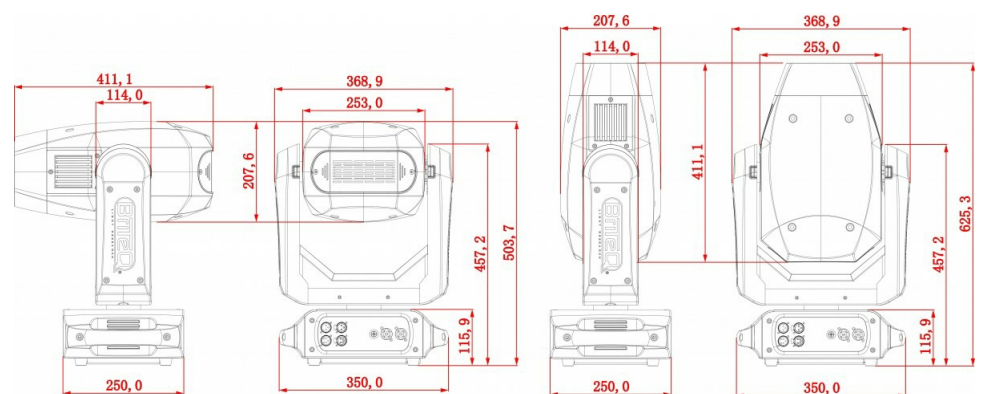
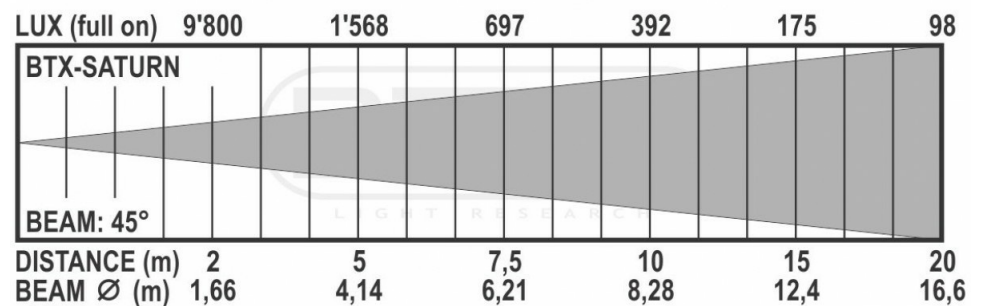
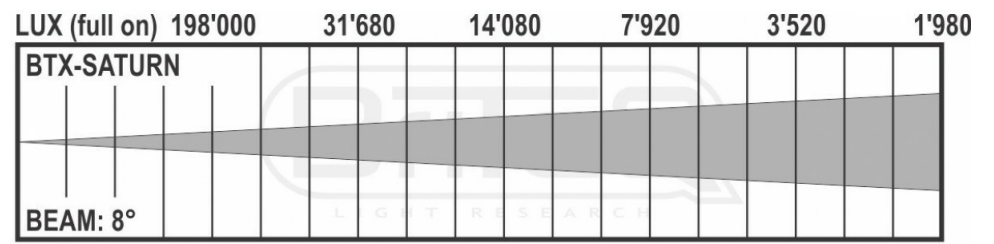


www.briteq-lighting.com | <https://www.facebook.com/Briteq>

Beglec NV has the right to change products and specifications with and without notice. Major as well as minor changes can be involved. This leaflet can contain errors, therefore we advice to consult your local dealer to ensure that actual features and specifications match your requirements. Copyright © 2018 by BEGLEC NV. All rights reserved.

SPECIFICATIONS

General : Application	Stage & Rental, Theatre
General : Dimensions (cm)	see drawing
General : Weight (kg)	21.5
General : Powerinput	AC 100 - 240V, 50/60Hz
General : Energy Label	No
General : Power consumption W	392
General : Color	black
General : Display	LCD
General : Fixation	included omega bracket
General : IP rating	indoor
Control : manual	No
Control : Master/Slave	No
Control : SMART-DMX	No
Control : Standalone	no
Control : programmable	No
Control : upgradable software	Yes
Control : maximum DMX channels	25
Light : lamp socket	none
Light : Lux	31680
Light : lumen	18750
Light : lamp	LED
Light : min. color temperature (K)	3200
Light : max. color temperature (K)	8000
Light : colors	other
Light : mix colors	Yes
Light : fixed gobos	9
Light : rotating gobos	7
Light : focus	Motorized
Light : zoom	Motorized
Light : iris	Yes
Light : prism (# facets + rotating y/n)	3-facet, rotating
Light : frost filter	Yes
Light : min. beam angle (°)	8
Light : max. beam angle (°)	45
Light : min. refresh rate (kHz)	No
Light : max. refresh rate (kHz)	No
Connections : input	3 pin XLR, 5 pin XLR, TRUE1 powerCON, usb, rdm
Connections : output	3 pin XLR, 5 pin XLR, TRUE1 powerCON, rdm
Brand	BRITEQ
EANCode	5420025644280
Discontinued	No



www.briteq-lighting.com | <https://www.facebook.com/Briteq>

Beglec NV has the right to change products and specifications with and without notice. Major as well as minor changes can be involved. This leaflet can contain errors, therefore we advice to consult your local dealer to ensure that actual features and specifications match your requirements. Copyright © 2018 by BEGLEC NV. All rights reserved.