



CP Series Compact Powered Loudspeakers

KEY FEATURES

- Compact and powerful performance
- 1000 Watt peak power Class-D amplifier module
- Easily selected contours for commonly-used applications
- Advanced DSP with Intrinsic Correction™ for superior sound quality and speaker protection
- Directivity Matched Transition™ (DMT) for consistent frequency response across the entire coverage area
- Light weight and highly portable
- Professional appearance looks great in any application
- Use for main PA, stage monitor, or instrument amplifier
- 35 mm pole socket
- Optional yoke, tote, and outdoor cover accessories
- Complete EASE and CAD information available online
- 3-Year Warranty*



CP8 | CP12

Entertainers · Educators · Institutions Houses of Worship

Compact Powered Loudspeakers

High performance, superior quality and lasting reliability. These are the hallmarks of the QSC brand and the reason why millions of professionals the world-over have come to trust QSC to help them confidently deliver superior experiences and memorable performances. The CP Series follows in that same tradition while also offering an ultra-compact form factor and class-leading value.

The first thing you will notice about the CP Series is its compact design - every line, angle and curve working harmoniously to present a stylish, yet rugged, appearance. Inside, CP is equipped with a highly-efficient, 1000-watt power amplifier, matching transducers and advanced DSP, delivering performance beyond expectations for a loudspeaker of this size.

Because of its compact size, CP is remarkably lightweight, making it easy to load, carry, lift and deploy in a wide range of portable and installed applications. Entertainers of all kinds, as well as educators, institutions and houses of worship will appreciate the ability to mix up to three input sources (mic/line, line and music playback device) at once, making CP a great single-box PA system that sets up in seconds. As part of a larger system, CP can be deployed on a speaker pole, used as a floor monitor or as a musical instrument amplifier. System integrators will especially appreciate CP's lightweight and compact form factor when attaching it to a wall or truss (via optional yoke mount). And all users will enjoy one-touch DSP control with preset contours for the most common audio applications.

The CP Series compact, powered loudspeaker is protected by a global 3-year warranty.*

*With product registration. For more information, please visit qsc.com



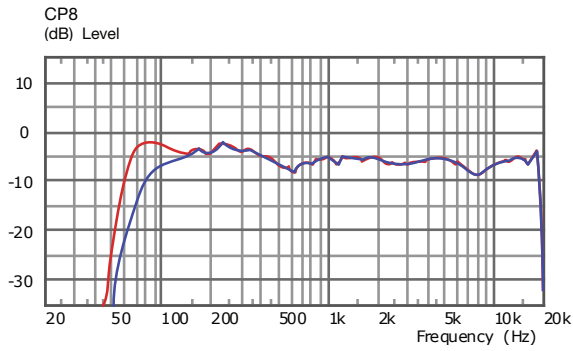
Compact Powered Loudspeakers

	CP8	CP12
Configuration:	Two-way active loudspeaker	Two-way active loudspeaker
LF Transducer:	8 in (203 mm), cone	12 in (305 mm), cone
HF Transducer:	1.4 in (35.6 mm) compression driver	1.4 in (35.6 mm) compression driver
Frequency Response (-6 dB):	56 - 20 kHz	49 - 20 kHz
Frequency Range (-10 dB):	53 - 20 kHz	47 - 20 kHz
Nominal Coverage Angle:	90° Axisymmetric	75° Axisymmetric
Maximum Rated SPL ¹ :	124 dB	126 dB
Amplifier:	Class D Peak: 800 W (LF), 200 W (HF)	Class D Peak: 800 W (LF), 200 W (HF)
Controls:	Power 2 x Gain Mic Boost Push Switch 6-way Contour Selection Switch	Power 2 x Gain Mic Boost Push Switch 6-way Contour Selection Switch
Indicators:	Power LED 2 x Input Signal LED Input B MIC selected LED Limiter active LED	Power LED 2 x Input Signal LED Input B MIC selected LED Limiter active LED
Connectors:	2 x locking XLR/F ¼" combo (Line Input and Mic/Line input) 1 x 3.5 mm TRS (Stereo Input) 1 x XLR/M (Mix Output) 1 x IEC power connector	2 x locking XLR/F ¼" combo (Line Input and Mic/Line input) 1 x 3.5 mm TRS (Stereo Input) 1 x XLR/M (Mix Output) 1 x IEC power connector
AC Power Input:	Universal power supply 100 – 240 VAC, 50 – 60 Hz	Universal power supply 100 – 240 VAC, 50 – 60 Hz
AC Power Consumption 1/8th Power:	100 VAC, 0.75A / 120VAC, 1.0A / 240VAC 0.31A	100 VAC, 0.75A / 120VAC, 1.0A / 240VAC 0.31A
Enclosure Material:	Polypropylene	Polypropylene
Attachment Points:	M8 threaded insert	M10 threaded insert
Color:	Black (RAL 9011)	Black (RAL 9011)
Grille:	18 Gauge powder coated steel	18 Gauge powder coated steel
Dimensions (HxWxD):	16.2 x 10.7 x 10.1 in 411 x 273 x 256 mm	20.3 x 13.8 x 12.7 in 516 x 350 x 323 mm
Net Weight:	21.0 lbs (9.5 kg)	30.3 lbs (13.7 kg)
Shipping Weight:	25.5 lbs (11.4 kg)	36.3 (16.5 kg)
Regulatory:	EMC, UL, CB	EMC, UL, CB
Optional Accessories:	CP8 Tote, CP8 Outdoor Cover CP8 Yoke	CP12 Tote, CP12 Outdoor Cover CP12 Yoke

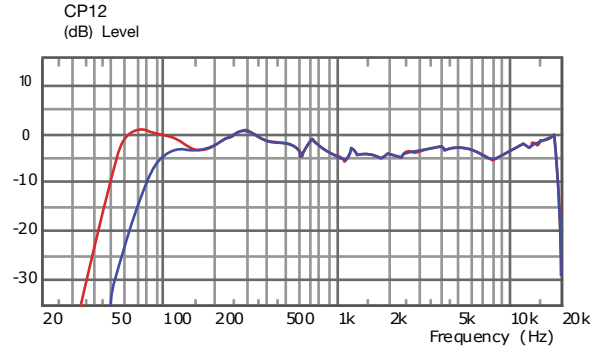
¹ Peak SPL is measured on-axis at 1 m, with dynamic pink noise

Specifications subject to change without notice.

CP8 On-Axis Frequency Response



CP12 On-Axis Frequency Response



— Full Range — 80 Hz



CP8 shown with optional Yoke bracket

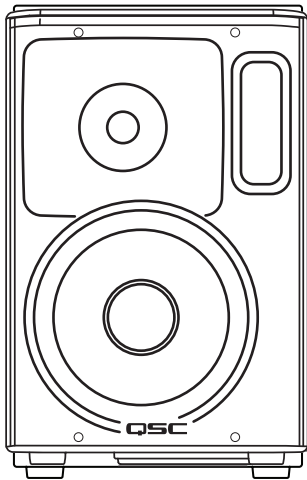


CP Series Tote

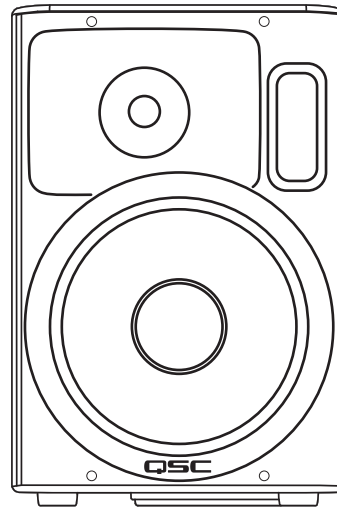


CP12 shown in floor monitor position

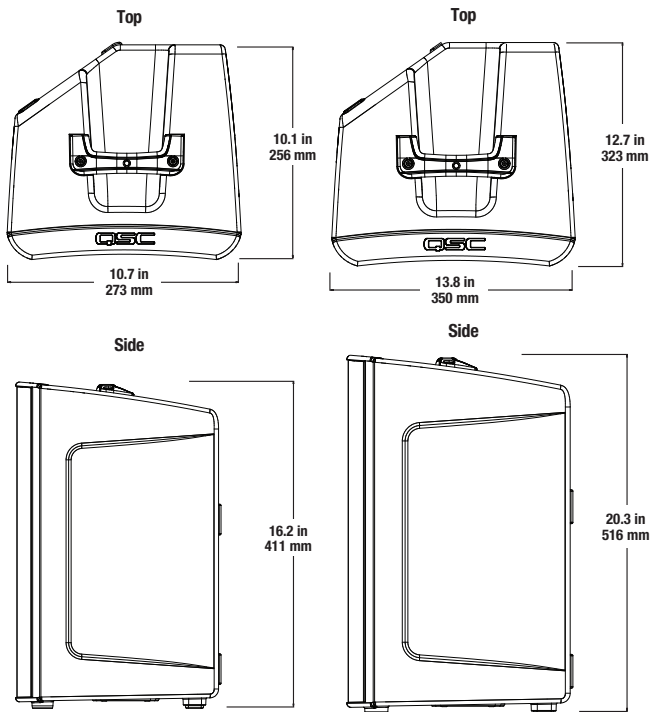
CP8



CP12



CP8 and CP12 Top and Side



Back Panel for both CP8 and CP12

