

ILINE SERIES

USER GUIDE

10752/10753/10754/10755/10756/10757/10758/10759/10760/10761/10762/
10763/10764/10767/10768/10773 - Version 1.0 /07-2017

1 - Safety information

Important safety information



This unit is intended for indoor use only. Do not use it in a wet, or extremely cold/hot locations. Failure to follow these safety instructions could result in fire, electric shock, injury, or damage to this product or other property.



This product contains non-isolated electrical components. Do not undertake any maintenance operation when it is switched on as it may result in electric shock.



Any maintenance procedure must be performed by a CONTEST authorised technical service. Basic cleaning operations must thoroughly follow our safety instructions.



CAUTION
RISK OF ELECTRIC SHOCK
DO NOT OPEN



WARNING : This unit contains no user-serviceable parts. Do not open the housing or attempt any maintenance by yourself. In the unlikely even your unit may require service, please contact your nearest dealer. In order to avoid any electrical malfunction, please do not use any multi-socket, power cord extension or connecting system without making sure they are perfectly isolated and present no defect.



Risk of electrocution

To prevent the hazard of electric shocks, do not use extension cords, multi-socket or any other connection system without making sure metal parts completely are out of reach.



Sound levels

Our audio solutions deliver important sound pressure levels (SPL) that can be harmful to human health when exposed during long periods. Please do not stay in close proximity of operating speakers.



Recycling your device

- As HITMUSIC is really involved in the environmental cause, we only commercialise clean, ROHS compliant products.
- When this product reaches its end of life, take it to a collection point designated by local authorities. The separate collection and recycling of your product at the time of disposal will help conserve natural resources and ensure that it is recycled in a manner that protects human health and the environment.

Symbols used



This symbol signals an important safety precaution.



The CAUTION symbol signals a risk of product deterioration.



The WARNING symbol signals a risk to the user's physical integrity. The product may also be damaged.

Instructions and recommendations

1 - Please read carefully :

We strongly recommend to read carefully and understand the safety instructions before attempting to operate this unit.

2 - Please keep this manual :

We strongly recommend to keep this manual with the unit for future reference.

3 - Operate carefully this product :

We strongly recommend to take into consideration every safety instruction.

4 - Follow the instructions:

Please carefully follow each safety instruction to avoid any physical harm or property damage.

5 - Avoid water and wet locations :

Do not use this product in rain, or near washbasins or other wet locations.

6 - Installation :

We strongly encourage you to only use a fixation system or support recommended by the manufacturer or supplied with this product. Carefully follow the installation instructions and use the adequate tools.

Always ensure this unit is firmly fixed to avoid vibration and slipping while operating as it may result in physical injury.

7 - Ceiling or wall installation :

Please contact your local dealer before attempting any ceiling or wall installation.

8 - Ventilation :

The cooling vents ensure a safe use of this product, and avoid any overheating risk.

Do not obstruct or cover these vents as it may result in overheating and potential physical injury or product damage. This product should never be operated in a closed non-ventilated area such as a flight case or a rack, unless cooling vents are provided for the purpose .

9 - Heat exposure :

Sustained contact or proximity with warm surfaces may cause overheating and product damages. Please keep this product away from any heat source such as a heaters, amplifiers, hot

plates, etc...

10 - Electric power supply :

This product can only be operated according to a very specific voltage. These information are specified on the label located at the rear of the product.

11 - Power cords protection:

Power-supply cords should be routed so that they are not likely to be walked on or pinched by items placed upon or against them, paying particular attention to cords at lugs, convenience receptacles and the point where they exit from the fixture.

12 - Cleaning precautions :

Unplug the product before attempting any cleaning operation. This product should be cleaned only with accessories recommended by the manufacturer. Use a damp cloth to clean the surface. Do not wash this product.

13 - Long periods of non use :

Disconnect the unit's main power during long periods of non use.

14 - Liquids or objects penetration :

Do not let any object penetrate this product as it may result in electric shock or fire.

Never spill any liquid on this product as it may infiltrate the electronic components and result in electric shock or fire.

15 - This product should be serviced when :

Please contact the qualified service personnel if :

- The power cord or the plug has been damaged.
- Objects have fallen or liquid has been spilled into the appliance.
- The appliance has been exposed to rain or water.
- The product does not appear to operate normally.
- The product has been damaged.

16 - Inspection/maintenance :

Please do not attempt any inspection or maintenance by yourself. Refer all servicing to qualified personnel.

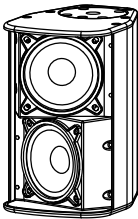
17 - Operating environment :

Ambient temperature and humidity: +5 - +35°C, relative humidity must be less than 85% (when cooling vents are not obstructed).

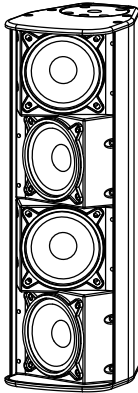
Do not operate this product in a non-ventilated, very humid or warm place.

2 - iLINE series components (except fixation systems and covers)

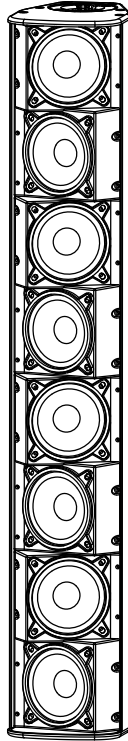
2 - 1 : Column speakers



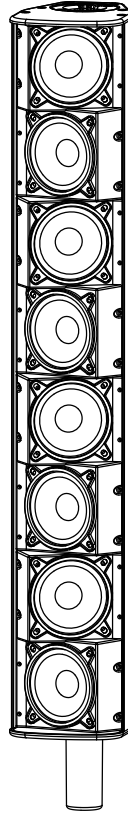
iLINE23 - 10752
2 x3" Loudspeaker - 40W - 16Ω



iLINE43 - 10754
4 x3" Loudspeaker - 80W - 8Ω

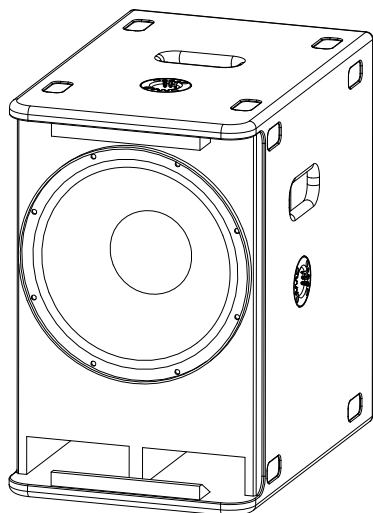


iLINE83 - 10756
8 x3" Loudspeaker - 160W - 16Ω



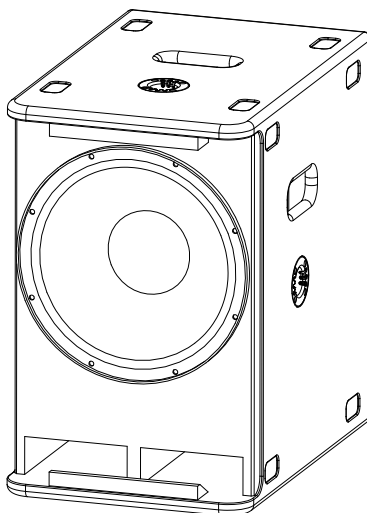
iLINE83B - 10758
8 x3" Loudspeaker - 160W - 16Ω
Baseplate connector

2 - 2 : Subwoofers



iLINEsub12A - 10761

- 700W + 700W / 4Ω Active subwoofer
- 4-point Speakon input / output lowband/and full range
- Customizable DSP
- Powercon power input/output



iLINEsub12P - 10763

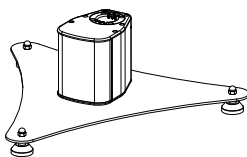
- 400W / 8Ω Passive subwoofer
- 4-point Speakon input / output bass/full range

2 - 3 : Support systems with built-in connectors



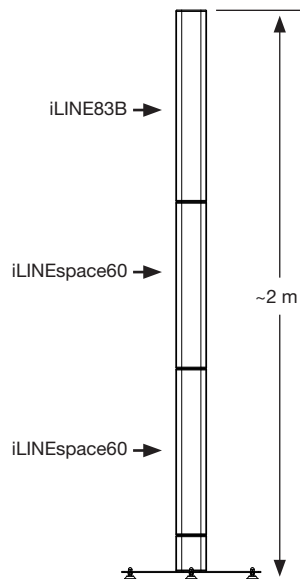
iLINEspace60 - 10759

- 60cm Extension for iLINE83B
- Signal connection via male and female baseplates



iLINEbase - 10760

- Ground support for iLINEspace and iLINE83B
- Speakon connector and female baseplate connector

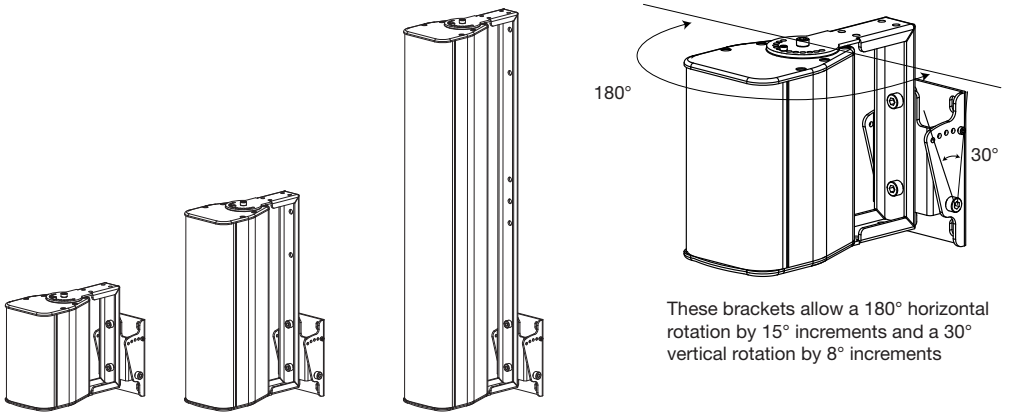


Sample configuration

2 - 4 : Wall brackets

These brackets are designed for iLINE23, iLINE43 and iLINE83 column speakers

These speakers are supplied with a 35mm baseplate, which needs to be changed in order to fit these wall brackets.



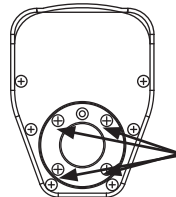
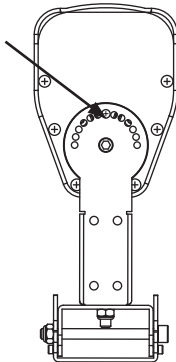
iLINE23Sup - 10753
Bracket for iLINE23

iLINE43Sup - 10755
Bracket for iLINE43

iLINE83Sup - 10756
Bracket for iLINE83

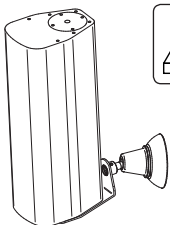
These brackets allow a 180° horizontal rotation by 15° increments and a 30° vertical rotation by 8° increments

Tightening screw allowing to adjust the orientation

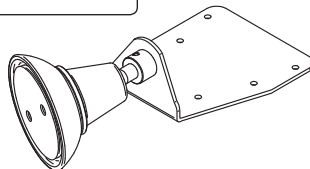


Tightening screw to be removed to change the 35mm baseplate.
The same screw can be used to secure the adequate baseplate

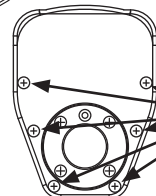
2 - 5 : iLINEsup24 - 10773 : Adjustable wall mount for iLINE23 et iLINE43



CAUTION This wall mount is only suitable for iLINE23 and iLINE43



To install this wall mount, remove the 6 screws from the bottom of the speaker, place the wall mount and reposition the screws through the bracket.



Tightening screw to be removed.
The same screw can be used to secure the wall mount.

3 - Installation and use

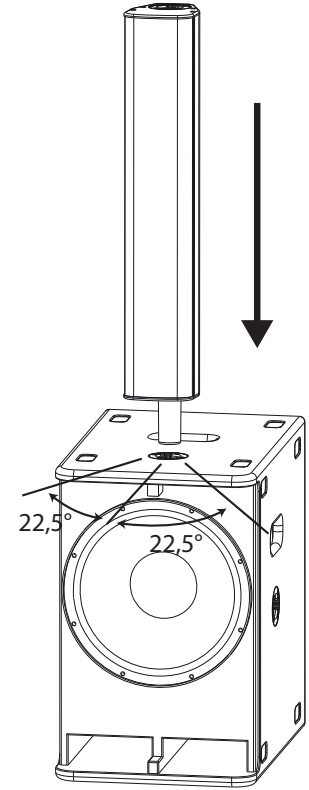
3 - 1 : Installation

Please make sure you are using an even and stable surface.
iLINEsub12A and iLINEsub12P subwoofers can be set either horizontally or vertically.

We recommend to position your iLINEsub12P on top of your iLINEsub12A if you decide to use two subwoofers (iLINEsub12A and iLINEsub12P) Connect the two subwoofers together using the Speakon/Speakon cable reference iLINEcord60.
Place the iLINEspace60 on top, then finally place your iLINE83B.

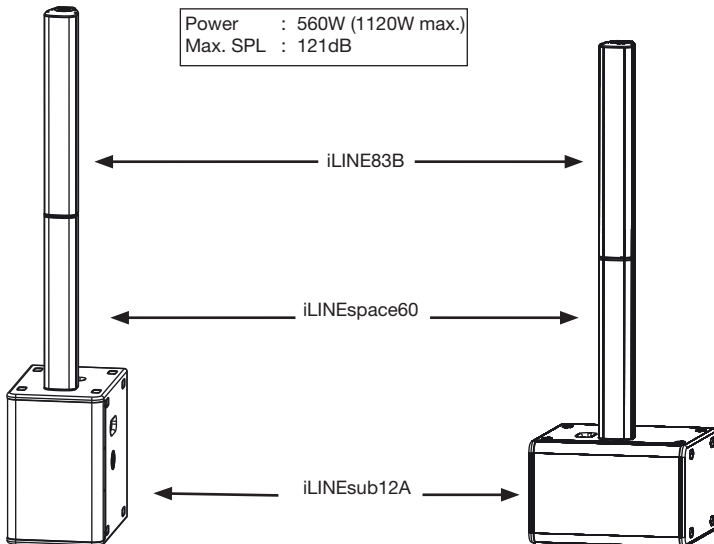
Note The baseplate allows a rotation from the subwoofer of approximately 22,5°.

Each iLINEsub12A subwoofer can handle (maximum):
- 1 iLINEsub12P subwoofer
- 2 iLINE83B column speakers

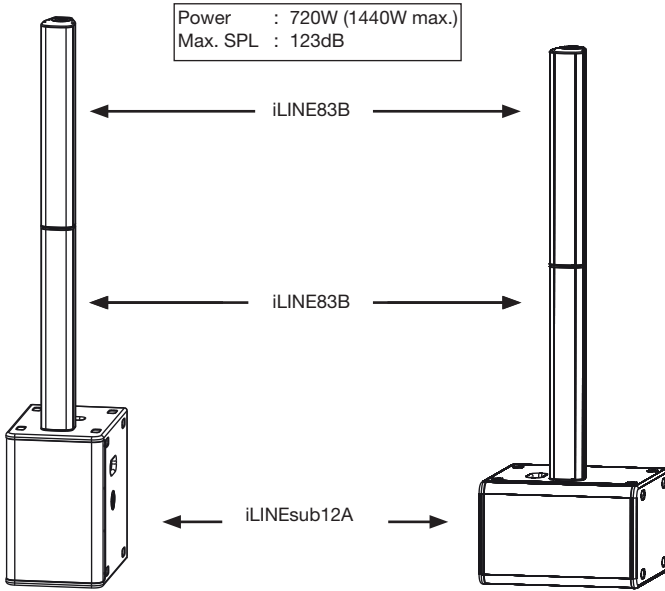


3 - 2 : Various configurations

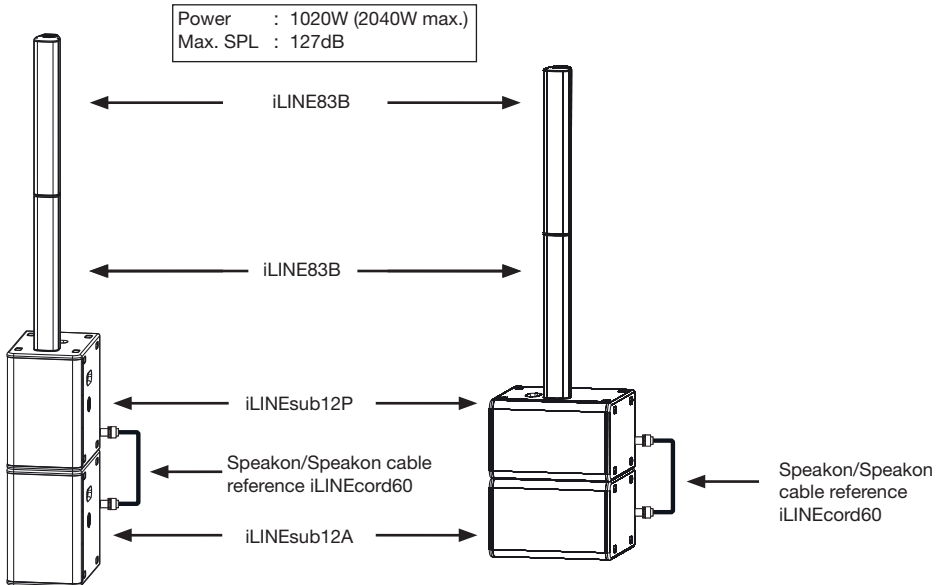
Mode 1



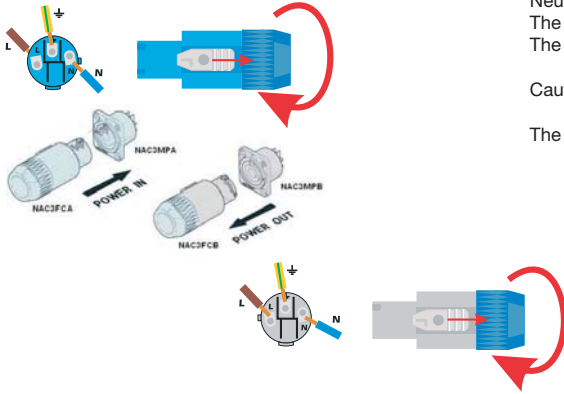
Mode 2



Mode 3



3 - 2 : Power connection



The power socket of your iLINEsub12A is a Powercon® Neutrik®.

The blue plug is used for power connection.

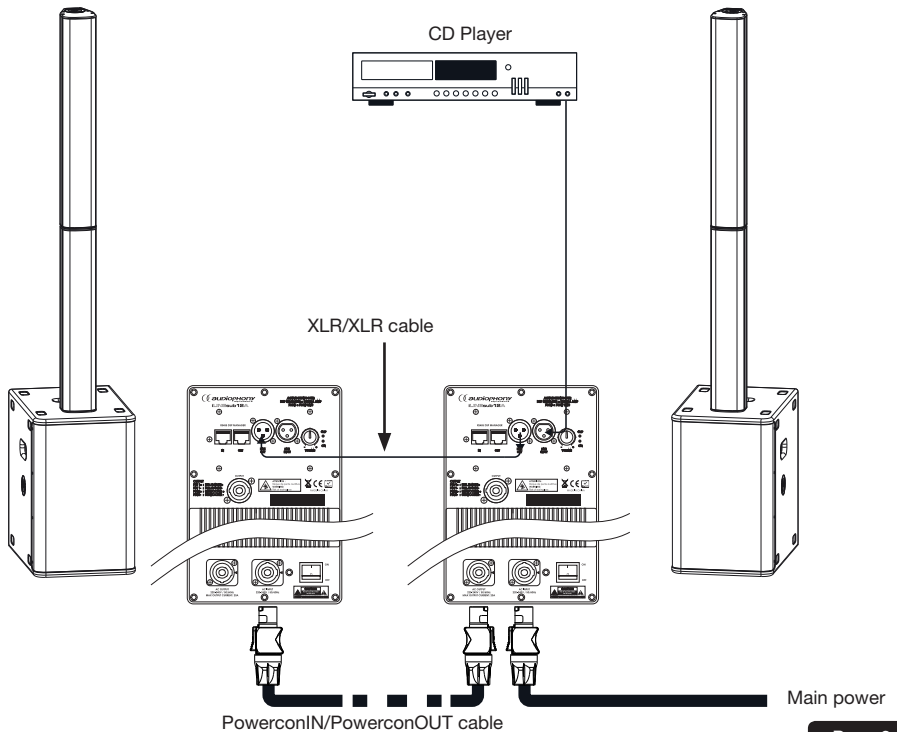
The grey plug is used to transfer power to other units.

Caution: max power via this plug is 20A (4600W at 240V).

The wiring principle is described on the image hereby.

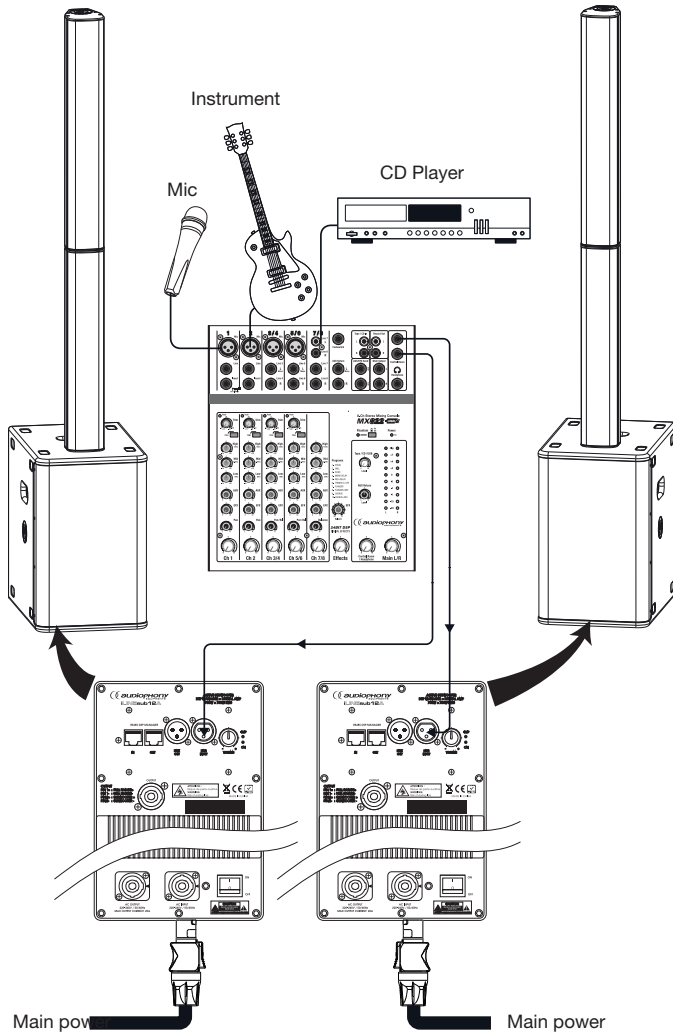
3 - 3 : Connection principle to a line-level signal

Mono mode in daisy-chain

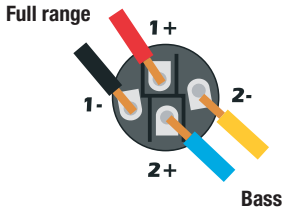
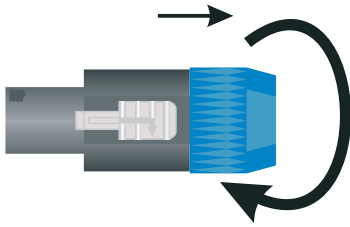


Main power

Stereo mode



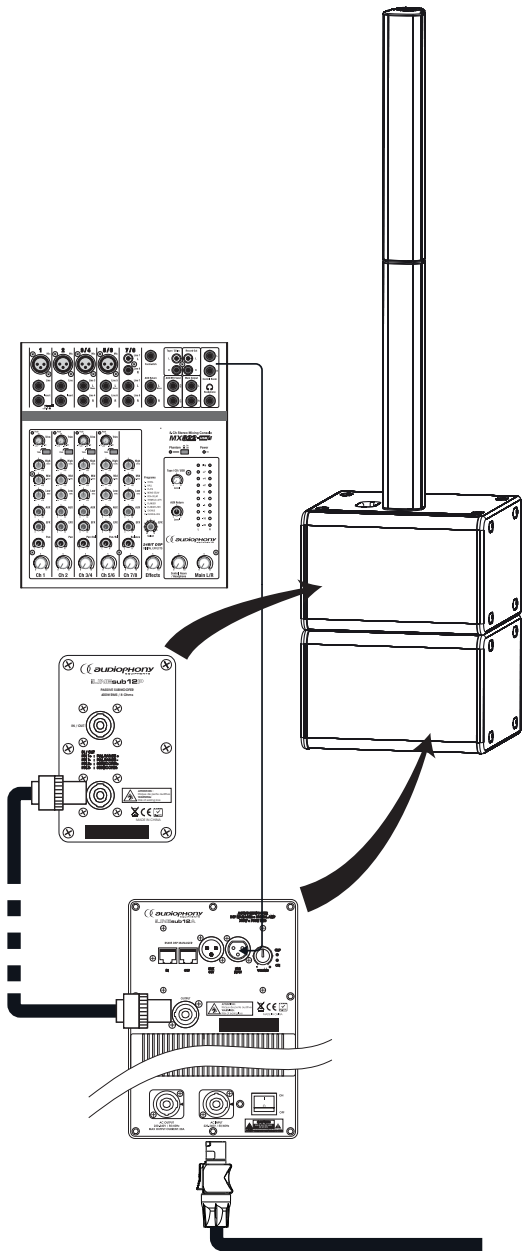
Double-subwoofer mode



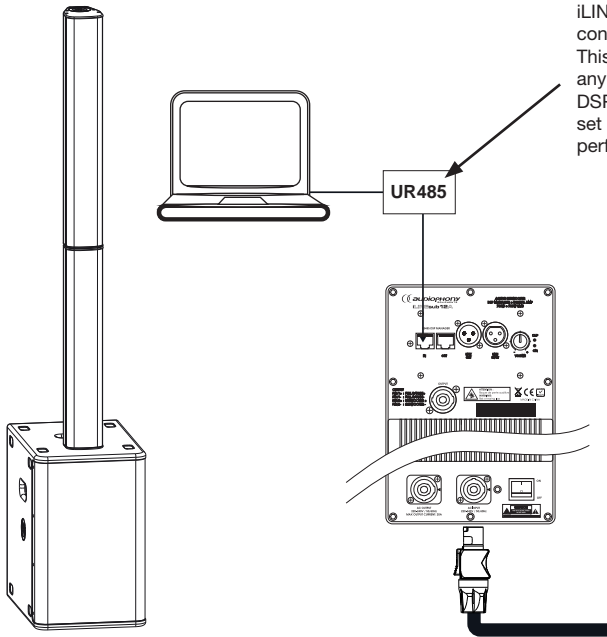
iLINEcord60 - 10764
4-point SpeakOn cord - 60 cm

When using two subwoofers (iLINEsub12A and iLINEsub12P), they must be connected together via the optional iLINEcord60 cord. This cord features 2 x 4-point SpeakOn connectors hardwired as follows:

- Pin 1+ : Full range positive signal
- Pin 1- : Full range negative signal
- Pin 2+ : Bass positive signal
- Pin 2- Bass negative signal



3 - 4 : Configuring DSP by connecting to a computer



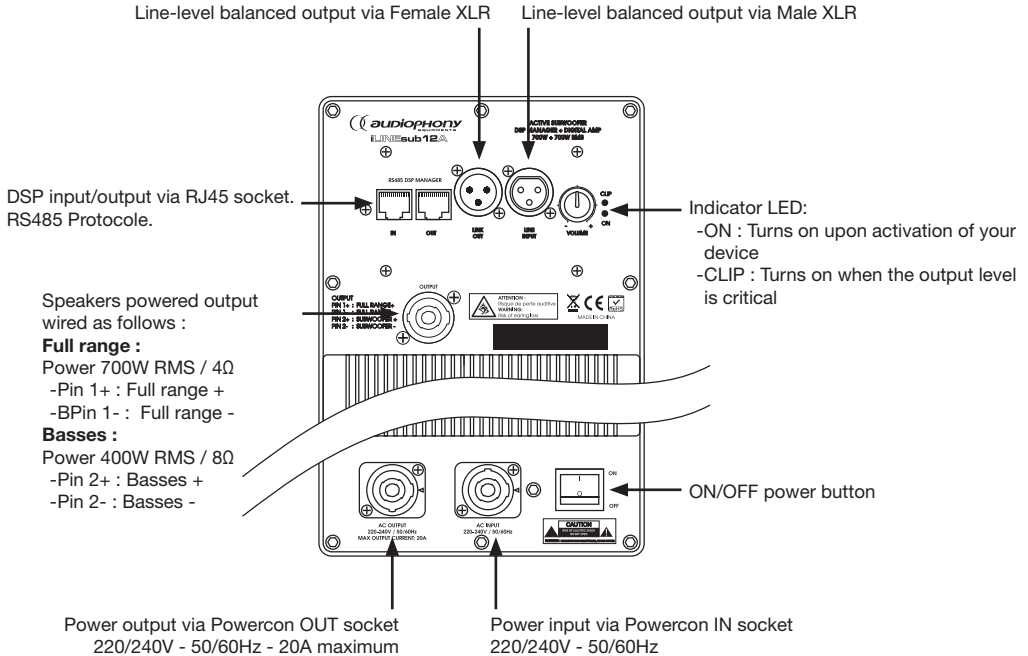
iLINEbox USB to RJ45 converter.
This converter is required for any DSP settings.
DSP parameters are factory set in order to ensure optimal performances.



CAUTION: Altering the DSP settings may cause severe damage to your loudspeakers.
Audiophony cannot be held responsible for any damage caused to loudspeakers after altering these settings.



4 - Amplification module



5 - Housse de transport en option

There are two optional transport covers :

iLINEbag - 10767

This cover allows to transport two columns inLINE 83B. It is provided with a removable partition to avoid the friction of the two speakers against each other.

iLINEcov - 10768

This house protects the iLINEsub12A and iLINEsub12P subwoofer.

6 - Technical specifications

	iLINE23 - 10752	iLINE43 - 10752	iLINE63 - 10754	iLINE63B	iLINEsub12P	iLINEsub12A -
Power output	40W RMS / 80W max.	80W RMS / 160W max.	160W RMS / 320W max.	160W RMS / 320W max.	400W RMS - 800 W max.	700W / 4Ω + 700W / 4Ω
Frequency response	135 Hz - 17 KHz	135 Hz - 17 KHz	135 Hz - 17 KHz	135 Hz - 17 KHz	50 - 200 Hz	50 - 200 Hz
Axial sensitivity (1W/1m)	89 dB	92 dB	95 dB	95 dB	96 dB	96 dB
Max. SPL	108 dB	114 dB	120 dB	120 dB	125 dB	124 dB
Nominal impedance	16Ω	8Ω	16Ω	16Ω	8Ω	8Ω
Loudspeakers	2 x 3"	4 x 3"	8 x 3"	8 x 3"	12"	12"
Dimensions	110 x 180 x 148,5 mm	110 x 350 x 148,5 mm	110 x 690 x 148,5 mm	110 x 770 x 148,5 mm	350 x 515 x 490 mm	350 x 515 x 490 mm
Net weight	2,2 Kg	4 Kg	7,6 Kg	7,6 Kg	22 Kg	23,5 Kg
Horizontal dispersion	115°	115°	115°	115°	-	-
Vertical dispersion	20°	20°	20°	20°	-	-
Connectors	Speakon input/output	Speakon input/output	Speakon input/output	Speakon input/output	4-point Speakon input/output: - 1+/1- : Output broadband - 2+/2- : Bass output	Input: - Line-level balanced XLR Outputs: - Line-level balanced XLR - Bass/Treble amplified Speakon: - 1+/1- : Full range - 2+/2- : Bass output Power supply: - Input / output via Powercon: AC 220V-240V / 50/60Hz, 20A DSP: - Input / output via RJ45
Amplification	-	-	-	-	-	Total power available 700+700 W RMS/ 4Ω : Full range output : 700 W/4Ω Subwoofer : 350W/8Ω + 350 W RMS/8Ω internal
Settings	-	-	-	-	-	Volume: Main volume control DSP: 28/56 bit, 50 MIPS System configuration by the software provide with converter reference iLINEbox

Because AUDIOPHONY® takes the utmost care in its products to make sure you only get the best possible quality, our products are subjects to modifications without prior notice. That is why technical specifications and the products physical configuration might differ from the illustrations.

Make sure you get the latest news and updates about the AUDIOPHONY® products on www.audiophony.com
AUDIOPHONY® is a trademark of HITMUSIC S.A.S - Zone Cahors sud - 46230 FONTANES - FRANCE