

SHURE®

LEGENDARY
PERFORMANCE™

WIRED MICROPHONE

VP89

VP89L
VP89M
VP89S

Modular Shotgun Microphone
Microphone canon modulaire
Modulares Richtrohrmikrofon
Micrófono de cañón modular
Microfono shotgun modulare
Модульный линейный микрофон
モジュールショットガンマイクロホン
Modular Shotgun 마이크
模块化短枪式话筒



www.shure.com
© 2014 Shure Incorporated
Printed in U.S.A.
27A22326 (Rev. 2)

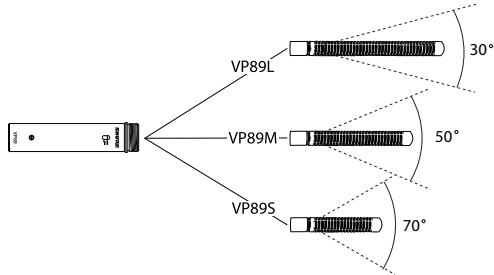
General Description

The VP89 is a professional shotgun microphone for use in critical A/V media production applications. Designed with interchangeable long, medium and short capsules, the VP89 models provide scalable, superior off-axis rejection for focus and flexibility in a wide variety of on-site locations.

Variations

The VP89 is available with long, medium, and short capsules in three model variations: **VP89L**, **VP89M**, and **VP89S**.

The VP89 microphone has a tighter acceptance angle (is more directional) when used with longer capsules, as shown in the graphic below.



Features

- Premier production microphone crafted with Shure quality, ruggedness, and reliability
- Highly directional, uniform polar pattern optimized for distant pickup
- Modular design allows optimal performance in a wide variety of production settings
- Designed for extremely low susceptibility to radiated and conducted hum, GSM, and radio frequency interference (RFI)
- Superior common mode rejection
- Low self-noise and high output level
- Class A, discrete preamplifier provides transparent, extremely fast transient response with no crossover distortion and minimal harmonic and intermodulation distortion
- Selectable low-frequency response
- Lightweight, compact design accommodates prolonged operation, minimizing operator fatigue attributed to many shotgun microphones
- Aircraft-grade aluminum alloy construction resists wear and abuse
- Operates over a wide range of temperatures and humidity

Selecting Low-Frequency Response

A two-position switch on the preamplifier adjusts the low-frequency response. Use the low-frequency filter to reduce room noise or proximity effect.

- **Normal response:** Provides the most natural sound in most applications.
- ▾ **Low-frequency rolloff:** Provides a 12 dB-per-octave rolloff below the specified frequency for each model (see product specifications). Reduces floor rumble and low-frequency room noise from heating and air conditioning systems.

Changing Capsules

1. Turn off phantom power supplied to the microphone.
2. Unscrew the capsule from the preamplifier. Store the unused capsule with its protective cap (included with the purchase of additional capsules).
3. Thread the replacement capsule to the preamp. Do not overtighten.

Note: Before each use, ensure the capsule is tightly secured to the preamp to prevent signal loss during operation.

Compatibility

The VP89 is designed for forward and backward compatibility with Shure SM89 shotgun microphones. Capsules and preamplifiers can interchange seamlessly between the two models.

Rycote Custom Accessories

Shure offers custom Rycote® suspension mounting and wind-protection solutions designed for Shure VP shotgun microphones.

Wind Protection

Use the supplied windscreens to reduce wind-noise. For increased protection, Shure offers two premium Rycote® wind protection accessories:

- **Softie Windshield:** Attenuates up to 25 dB of wind-noise
- **Suspension Windshield Kit:** Attenuates up to 38 dB of wind-noise while preserving critical high frequencies; included Lyre suspension mounts provide up to 25 dB of isolation

Suspension Mounts

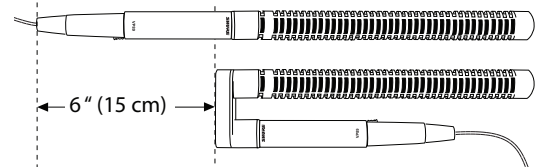
Shure offers four Rycote® Softie Lyre Mounts to reduce handling noise and low-frequency vibrations up to 15 dB:

- **InVision Video:** Secures to a standard camera shoe; for VP89S and VP89M
- **Camera Clamp Adapter (CCA):** Fits into a standard camera clamp; for VP89S, VP89M
- **Pistol Grip:** Adjustable handheld mount; for VP89S, VP89M
- **Boom Adapter:** Secures to a boom pole; for VP89L

Note: All Softie Lyre Mounts (except InVision Video) are equipped with 3/8" and 5/8" female threaded adapters for additional mounting options.

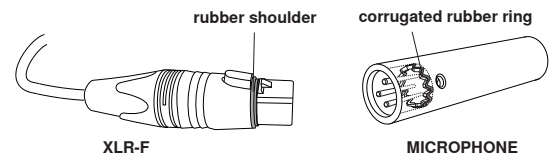
A89U Double-Barrel Adapter

The A89U adapter routes the VP89 preamp and cable connection beneath the capsule, shortening the length of the microphone by up to 6" (150 mm). Use the adapter to make a highly directional microphone in a compact form-factor.



XLR Connector Gasket

This microphone is supplied with a small corrugated rubber ring in the XLR connector to absorb the mechanical slack between the microphone and cable. Many high-end cables are made with a rubber shoulder on the XLR-F for the same purpose. When connecting this microphone to a cable with a rubber shoulder XLR-F connector, remove the corrugated rubber ring from the microphone to ensure a proper fit.



Load Impedance

Maximum SPL capability, output clipping level, and dynamic range vary with the input load impedance of the preamplifier to which the microphone is connected. Shure recommends a minimum input load impedance of 1000 Ohms. Most modern microphone preamplifiers meet this requirement. Higher impedance results in better performance for these specifications.

Power Requirements

This microphone requires phantom power and performs best with a 48 V DC supply (IEC-61938), but it can operate with supplies as low as 11 V DC. Most modern mixers provide phantom power and require the use of a **balanced** microphone cable: XLR-to-XLR or XLR-to-TRS.

Note: Information in this guide is subject to change without notice. For additional information about this product, please visit www.shure.com.

Specifications

Cartridge Type	Electret Condenser		
Polar Pattern	Hypercardioid/Lobar		
Frequency Response	VP89L: 40 to 20,000 Hz	VP89M: 50 to 20,000 Hz	VP89S: 65 to 20,000 Hz
Output Impedance	115.0 Ω		
Sensitivity open circuit voltage, @ 1 kHz, typical	-33.5 dBV/Pa ^[1] (21.1 mV)		
Maximum SPL 1 kHz at 1% THD ^[2]	2500 Ω load:	132.0 dB SPL	
	1000 Ω load:	128.5 dB SPL	
Signal-to-Noise Ratio^[3]	79.0 dB		
Dynamic Range @ 1 kHz	2500 Ω load:	117.0 dB	
	1000 Ω load:	113.5 dB	
Clipping Level @ 1 kHz, 1% THD	2500 Ω load:	4.0dBV	
	1000 Ω load:	0.0dBV	
Self Noise equivalent SPL, A-weighted, typical	15.0 dB		
Common Mode Rejection 20 to 20,000 Hz	\geq 70.0 dB		
Low-Frequency Filter Switch -12 dB/oct below specified frequency	Fiat Response: 100 Hz Low Frequency Rolloff: 200 Hz		
Operating Temperature Range	-18°C (0°F) to 57°C (135°F)		
Storage Temperature Range	-29°C (-20°F) to 74°C (165°F)		
Operating Relative Humidity	0 to 95%		
Polarity	Positive pressure on diaphragm produces positive voltage on pin 2 with respect to pin 3		
Housing	Charcoal-grey metallic painted aluminum alloy handle and grille with stainless steel screen		
Power Requirements	11–52 V DC ^[4] phantom power (IEC-61938), <2.0 mA		
Net Weight	VP89L: 174 g (6.1 oz.)	VP89M: 138 g (4.9 oz.)	VP89S: 117 g (4.1 oz.)

^[1] 1 Pa=94 dB SPL

^[2]THD of microphone preamplifier when applied input signal level is equivalent to cartridge output at specified SPL

^[3]S/N ratio is the difference between 94 dB SPL and equivalent SPL of self noise, A-weighted

^[4]All specifications measured with a 48 Vdc phantom power supply. The microphone operates at lower voltages, but with slightly decreased headroom and sensitivity.

CERTIFICATION

Eligible to bear CE Marking. Conforms to European EMC Directive 2004/108/EC. Meets Harmonized Standards EN55103-1:1996 and EN55103-2:1996, for residential (E1) and light industrial (E2) environments.

The Declaration of Conformity can be obtained from:

Authorized European representative:
Shure Europe GmbH
Headquarters Europe, Middle East & Africa
Department: EMEA Approval
Jakob-Dieffenbacher-Str. 12
75031 Eppingen, Germany
Phone: +49 7262 92490
Fax: +49 7262 9249114
Email: info@shure.de

Caractéristiques

Type de capsule	Condensateur à électret		
Courbe de directivité	Superniere/keulenförmig		
Réponse en fréquence	VP89L : 40 à 20,000 Hz	VP89M : 50 à 20,000 Hz	VP89S : 65 à 20,000 Hz
Impédance de sortie	115,0 Ω		
Sensibilité tension en circuit ouvert, à 1 kHz, typique	-33,5 dBV/Pa ^[1] (21,1 mV)		
SPL maximum 1 kHz avec DHT de 1 % ^[2]	Charge de 2500 Ω :	132,0 dB SPL	
	Charge de 1000 Ω :	128,5 dB SPL	
Rapport signal/bruit^[3]	79,0 dB		
Plage dynamique à 1 kHz	Charge de 2500 Ω :	117,0 dB	
	Charge de 1000 Ω :	113,5 dB	
Niveau d'écrêtage à 1 kHz, DHT de 1 %	Charge de 2500 Ω :	4,0 dBV	
	Charge de 1000 Ω :	0,0 dBV	
Bruit propre équivalent SPL, pondéré en A, typique	15,0 dB		
Rejet en mode commun 20 à 20,000 Hz	\geq 70,0 dB		
Commutateur de filtre basse fréquence -12 dB/oct en dessous de la fréquence spécifiée	Linearer Frequenzgang :	100 Hz	
	Bassabsenkungs- Rolloff :	200 Hz	
Plage de températures de fonctionnement	-18°C (0°F) à 57°C (135°F)		
Plage de températures de stockage	-29°C (-20°F) à 74°C (165°F)		
Humidité relative de fonctionnement	0 à 95%		
Polarité	Une pression acoustique positive sur le diaphragme produit une tension positive sur la broche 2 par rapport à la broche 3.		
Boîtier	Anthrazitgrau-metallisch-lackierter Griff aus Aluminiumlegierung und Grill mit Edelstahl-Abschirmung		
Alimentation	11–52 V c.c. ^[4] alimentation fantôme (IEC-61938), <2,0 mA		
Poids net	VP89L : 174 g (6,1 oz)	VP89M : 138 g (4,9 oz)	VP89S : 117 g (4,1 oz)

^[1] 1 Pa=94 dB SPL

^[2]La DHT du préamplificateur du microphone appliquée au niveau du signal d'entrée est équivalente au niveau de sortie de la capsule pour la valeur SPL spécifiée.

^[3]Le rapport signal/bruit est la différence entre le niveau SPL de 94 dB et le niveau SPL équivalent du bruit propre pondéré A.

^[4]Toutes les caractéristiques techniques ont été mesurées avec une source d'alimentation fantôme de 48 V c.c. Le microphone fonctionne à des tensions plus basses mais au prix d'une plage dynamique et d'une sensibilité légèrement réduites.

Homologations

Autorisé à porter la marque CE. Conforme à la directive européenne CEM 2004/108/CE. Conforme aux normes harmonisées EN55103-1:1996 et EN55103-2:1996 pour les environnements résidentiels (E1) et d'industrie légère (E2).

La déclaration de conformité CE peut être obtenue auprès de : www.shure.com/europe/compliance

Représentant agréé européen :
Shure Europe GmbH
Siège Europe, Moyen-Orient et Afrique
Service : Homologation EMA
Jakob-Dieffenbacher-Str. 12
75031 Eppingen, Allemagne
Téléphone : +49 7262 92490
Télécopie : +49 7262 9249114
Courriel : info@shure.de

Especificaciones

Tipo de cápsula	Condensador de electreto		
Patrón polar	Hipercardiode/lobular		
Respuesta de frecuencia	VP89L: 40 a 20,000 Hz	VP89M: 50 a 20,000 Hz	VP89S: 65 a 20,000 Hz
Impedancia de salida	115,0 Ω		
Sensibilidad voltaje con circuito abierto, a 1 kHz, típico	-33,5 dBV/Pa ^[1] (21,1 mV)		
Nivel de presión acústica (SPL) máx. 1 kHz con 1% THD ^[2]	Carga de 2500 Ω:	132,0 dB SPL	
	Carga de 1000 Ω:	128,5 dB SPL	
Relación de señal a ruido^[3]	79,0 dB		
Rango dinámico a 1 kHz	Carga de 2500 Ω:	117,0 dB	
	Carga de 1000 Ω:	113,5 dB	
Nivel de limitación a 1 kHz, 1% THD	Carga de 2500 Ω:	4,0 dBV	
	Carga de 1000 Ω:	0,0 dBV	
Ruido autógeno SPL equivalente, Ponderación A, típico	15,0 dB		
Rechazo en modo común 20 a 20,000 Hz	≥70,0 dB		
Interruptor de respuesta de frecuencias bajas -12 dB/octava por debajo de la frecuencia especificada	Respuesta plana:	100 Hz	
	Atenuación progresiva de frecuencias bajas:	200 Hz	
Gama de temperatura de funcionamiento	-18 °C (0 °F) a 57 °C (135 °F)		
Intervalo de temperaturas de almacenamiento	-29 °C (-20 °F) a 74 °C (165 °F)		
Humedad relativa de uso	0 a 95%		
Polaridad	Una presión positiva en el diafragma del micrófono produce un voltaje positivo en la clavija 2 con respecto a la clavija 3		
Caja	Manija de aleación de aluminio pintado en gris carbón metálico y rejilla con rejilla de acero inoxidable		
Requisitos de alimentación	11–52 VCC ^[4] Alimentación phantom (IEC-61938), <2,0 mA		
Peso neto	VP89L: 174 g (6,1 oz)	VP89M: 138 g (4,9 oz)	VP89S: 117 g (4,1 oz)

^[1] 1 Pa=94 dB SPL

^[2]THD del preamplificador del micrófono cuando el nivel de la señal de entrada que se aplica es equivalente a la señal de salida de la cápsula para el SPL que se especifica

^[3]La relación de señal a ruido es la diferencia entre 94 dB SPL y el SPL equivalente del ruido inherente con ponderación A

^[4]Todas las especificaciones medidas con fuente de alimentación phantom de 48 VCC. El micrófono funciona a voltajes más bajos, pero con niveles de limitación y de sensibilidad reducidos.

Certificaciones

Califica para llevar la marca CE. Cumple con la directiva europea de EMC 2004/108/EC. Satisface las normas armonizadas EN55103-1:1996 y EN55103-2:1996 para entornos de uso residencial (E1) e industrial ligero (E2).

La declaración de homologación de CE se puede obtener en: www.shure.com/europe/compliance

Representante europeo autorizado:

Shure Europe GmbH

Casa matriz en Europa, Medio Oriente y Africa

Departamento: Aprobación para región de EMEA

Jakob-Dieffenbacher-Str. 12

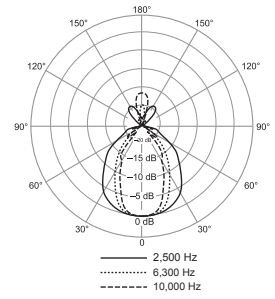
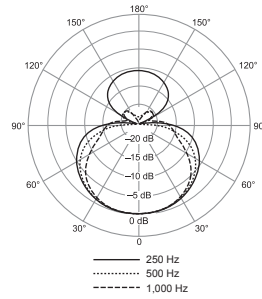
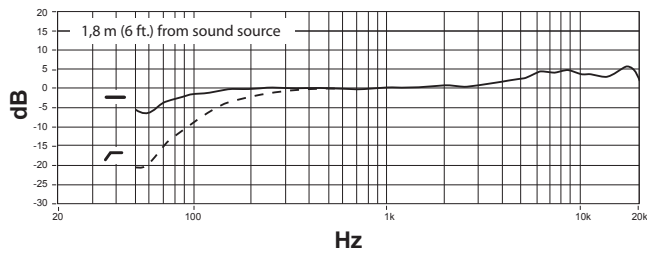
75031 Eppingen, Alemania

Teléfono: +49 7262 92490

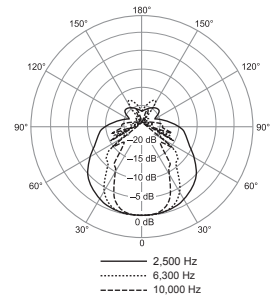
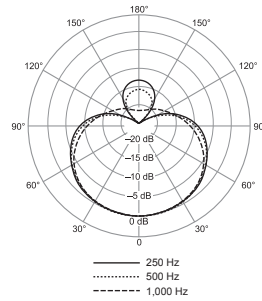
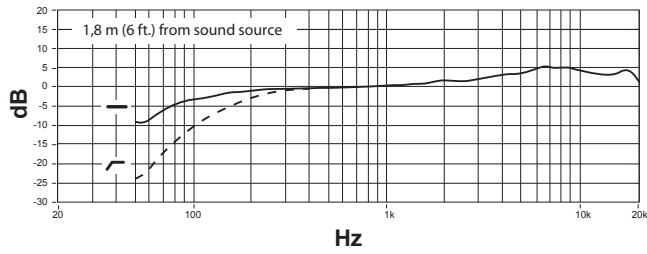
Fax: +49 7262 9249114

Correo electrónico: info@shure.de

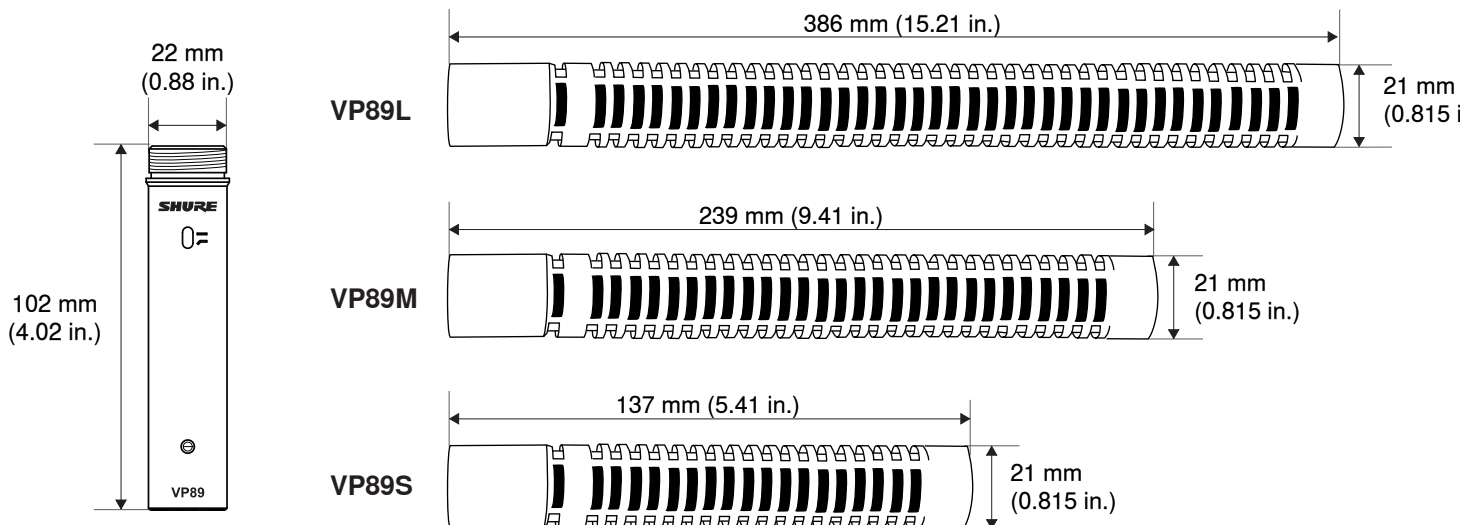
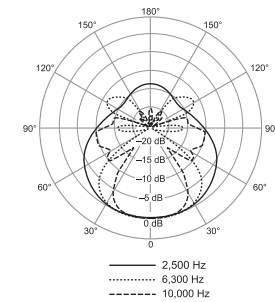
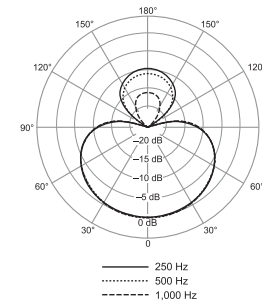
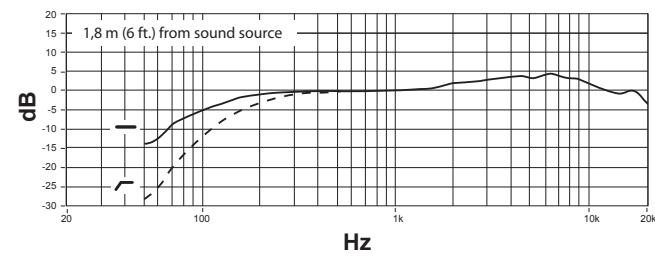
VP89L



VP89M



VP89S



Furnished Accessories	Accessoires fournis Mitgeliefertes Zubehör	Accesorios suministrados Accessori in dotazione	Аксессуары, входящие в комплект	付属のアクセサリー 기본 제공 부속품	提供的附件
-----------------------	---	--	------------------------------------	------------------------	-------

Foam Windscreen

Bonnette anti-vent en mousse

Schaumstoff-Windschutz

Paravientos de espuma

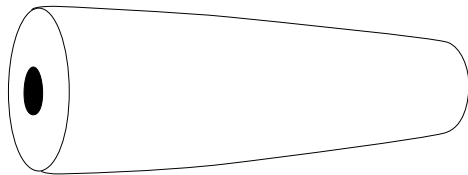
Antivento in schiuma poliuretanic

Пенопластовый ветрозащитный экран

フォームウィンドスクリーン

폼 윈드스크린

海绵防尘罩



VP89L	A89LW
VP89M	A89MW
VP89S	A89SW

Protective Case

Boîtier protecteur

Schutzetui

Estuche protector

Custodia

Защитный футляр

保護ケース

보호 케이스

保护盒

VP89L	A89LC
VP89M	A89MC
VP89S	A89SC



5/8" to 3/8" Thread Adapter	31A1856
Adaptateur de filetage 5/8" à 3/8"	
5/8 Zoll zu 3/8 Zoll Gewindeadapter	
Adaptador roscado de 5/8 a 3/8 pulg	
Adattatore con filettatura da 5/8 a 3/8 di pollice	
Резьбовой переходник 5/8 на 3/8 дюйма	
5/8" - 3/8"ネジアダプター	
5/8" 에서 3/8" 스레드 어댑터	
5/8 英寸至 3/8 英寸螺纹转接器	

Microphone Clip	A57F
Pince de microphone	
Mikrofonklemme	
Pinza para micrófono	
Clip per microfono	
Зажим для микрофона	
マイククリップ	
마이크 클립	
话筒夹	

Optional Accessories	Accessoires en option Sonderzubehör	Accesorios opcionales Accessori opzionali	Отдельно заказываемые аксессуары	オプションのアクセサリー 액세서리 선택 사양	可选配附件
----------------------	--	--	-------------------------------------	----------------------------	-------

Preamplifier

Préamplificateur

Vorverstärker

Preamplificador

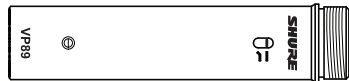
Preamplificatore

Предусилитель

プリアンプ

프리앰프

前置放大器



RPM89/PRE

Capsule

Capsule

Kapsel

Cápsula

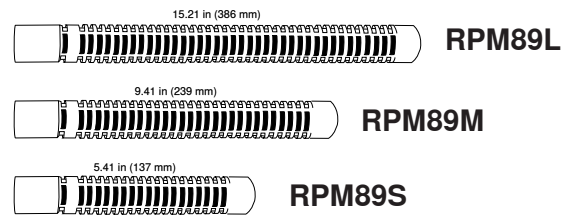
Capsula

Капсула

カプセル

캡슐

极头



Double-Barrel Adapter

Adaptateur double corps

Doppelläufiger Adapter

Adaptador de dos tubos

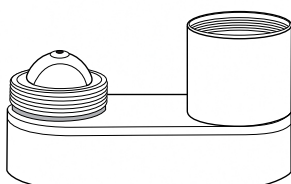
Adattatore "doppia canna"

Двухгильзовый адаптер

ダブルバレルアダプター

더블-배럴 어댑터

双筒转接器



A89U

Optional AccessoriesAccessoires en option
SonderzubehörAccesorios opcionales
Accessori opzionaliОтдельно заказываемые
аксессуарыオプションのアクセサリ
액세서리 선택 사양 可选配附件**Rycote® Windshield Kit**

Kit de bonnette de protection

Windschutzsatz

Juego de paravientos

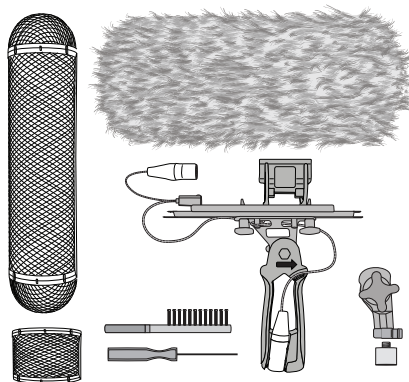
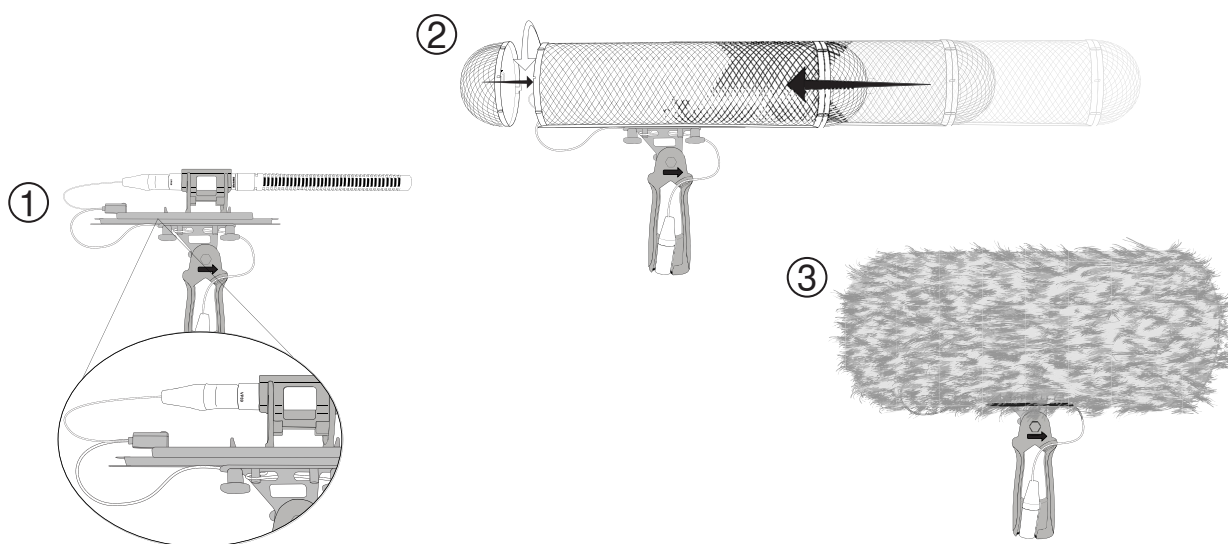
Kit antivento

Комплект ветрозащитного подвеса

ウィンドシールドキット

윈드실드 키트

防风套件

VP89L **A89LW-KIT**VP89M **A89MW-KIT**VP89S **A89SW-KIT****Rycote® Softie Windshield**

Bonnette de protection Softie

Softie-Windschutz

Paravientos Softie

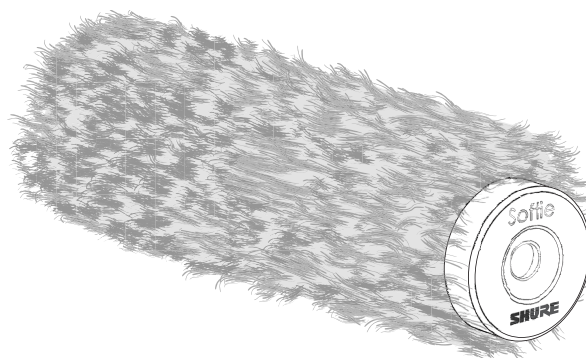
Antivento Softie

Ветрозащитный экран Softie

ソフトィウィンドシールド

Softie Windshield:

柔性防风罩

VP89L **A89LW-SFT**VP89M **A89MW-SFT**VP89S **A89SW-SFT**

Rycote® Softie Lyre Mount with InVision Video (Shoe) for VP89M and VP89S

Monture Softie Lyre avec InVision Video (griffe) pour VP89M et VP89S

Softie Lyre-Erschütterungsabsorber mit InVision Video (Schuh) für VP89M und VP89S

Montaje Softie Lyre con InVision Video (zapata) para VP89M y VP89S

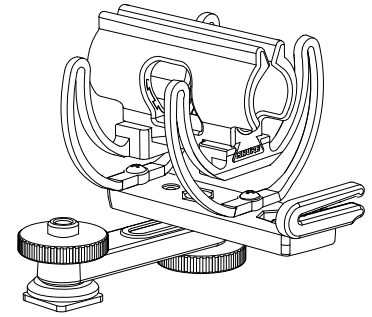
Supporto a lira Softie con InVision Video (slitta) per VP89M e VP89S

Опора Softie Lyre Mount с InVision Video (башмак) для VP89M и VP89S

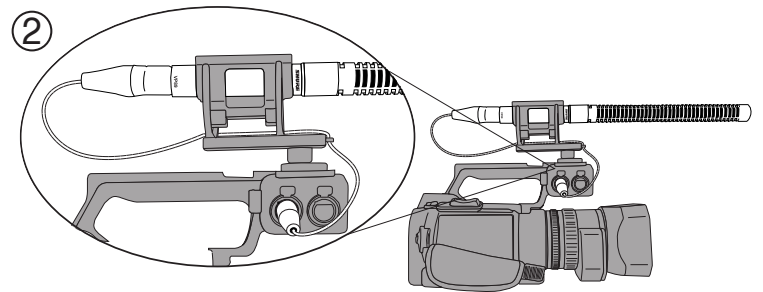
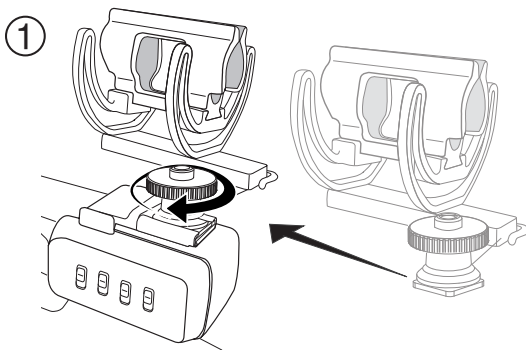
VP89MおよびVP89S用InVisionビデオ (シュー) 使用ソフティリラマウント

VP89M 및 VP89S 용 InVision Video (Shoe)를 사용하는 Softie Lyre Mount

适用于 VP89M 和 VP89S 的带 InVision Video 热靴 Softie Lyre 固定件



A89M-SH



Rycote® Softie Lyre Mount with Pistol Grip for VP89M and VP89S

Monture Softie Lyre avec poignée-pistolet pour VP89M et VP89S

Softie Lyre-Erschütterungsabsorber mit Pistolengriff für VP89M und VP89S

Montaje Softie Lyre con empuñadura tipo pistola para VP89M y VP89S

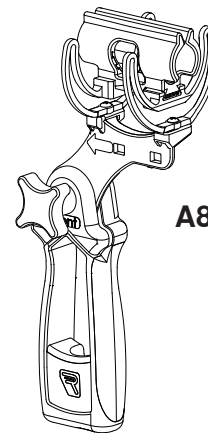
Supporto a lira Softie con impugnatura a pistola per VP89M e VP89S

Опора Softie Lyre Mount с пистолетной рукояткой для VP89M и VP89S

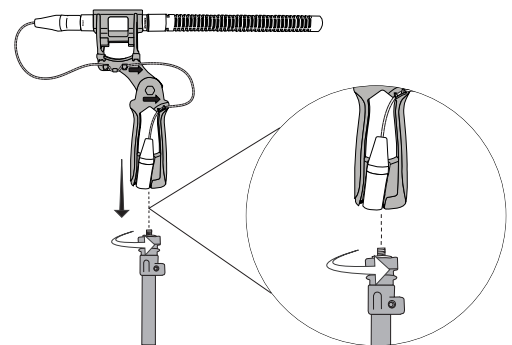
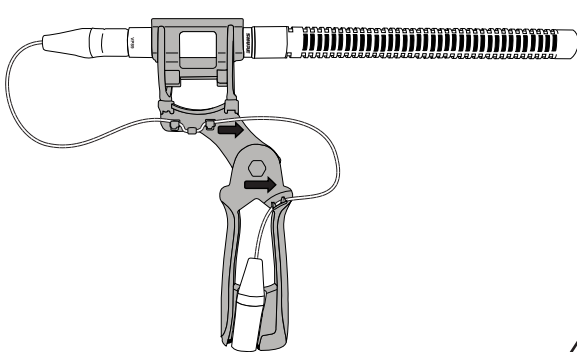
VP89MおよびVP89S用ピストルグリップ使用ソフティリラマウント

VP89M 및 VP89S 용 피스틀 그립을 사용하는 Softie Lyre Mount

适用于 VP89M 和 VP89S 的手枪式握把的 Softie Lyre 固定件



A89M-PG



Rycote® Softie Lyre Mount with Camera Clamp Adapter for VP89M and VP89S

Monture Softie Lyre avec adaptateur de pince pour caméra pour VP89M et VP89S

Softie Lyre-Erschütterungsabsorber mit Kameraklemmadapter für VP89M und VP89S

Montaje Softie Lyre con adaptador para pinza de cámara para VP89M y VP89S

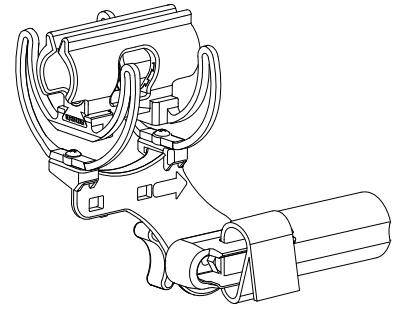
Supporto a lira Softie con adattatore del morsetto per videocamera per VP89M e VP89S

Опора Softie Lyre Mount с адаптером ССА для VP89M и VP89S

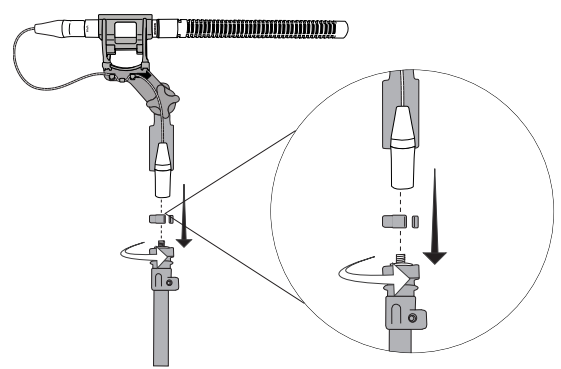
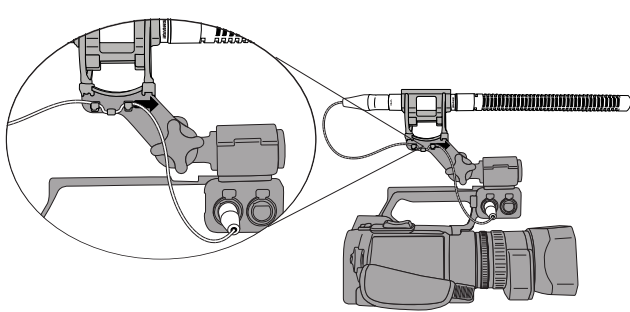
VP89MおよびVP89S用カメラクランプアダプタ使用ソフティリラマウント

VP89M 및 VP89S 용 카메라 클램프 어댑터를 사용하는 Softie Lyre Mount

适用于 VP89M 和 VP89S 的相机夹具转接器 Softie Lyre 固定件



A89M-CC



Rycote® Softie Lyre Mount with Boom Adapter for VP89L

Monture Softie Lyre avec adaptateur de perche pour VP89L

Softie Lyre-Erschütterungsabsorber mit Galgenadapter für VP89L

Montaje Softie Lyre con adaptador para pedestal tipo jirafa para VP89L

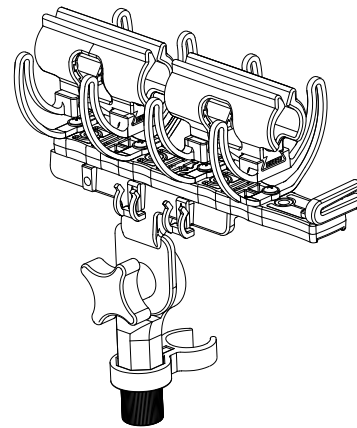
Supporto a lira Softie con adattatore del braccio per VP89L

Опора VP89L Softie Lyre с адаптером для журавля

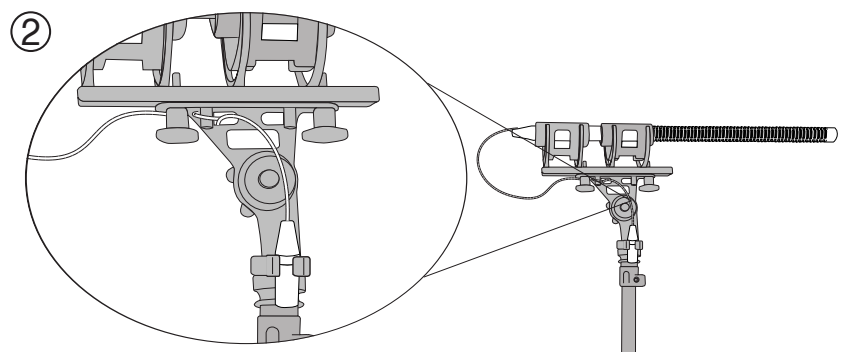
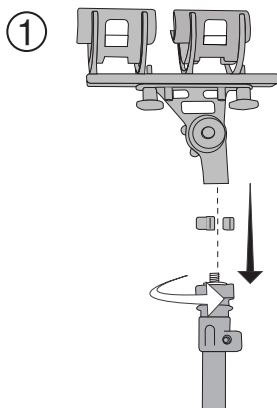
VP89L用ブームアダプター使用ソフティリラマウント

VP89L용 붐 어댑터를 사용하는 Softie Lyre Mount

带有适用于 VP89L 的悬架转接器的 Softie Lyre 固定件



A89LM-BA



Notes

Notes

SHURE[®]
LEGENDARY
PERFORMANCE™

United States, Canada,
Latin America, Caribbean:
Shure Incorporated
5800 West Touhy Avenue
Niles, IL 60714-4608 USA

Phone: +1 847-600-2000
Fax: +1 847-600-1212 (USA)
Fax: +1 847-600-6446
Email: info@shure.com
www.shure.com

Europe, Middle East, Africa:
Shure Europe GmbH
Jakob-Dieffenbacher-Str. 12,
75031 Eppingen, Germany

Phone: +49-7262-92490
Fax: +49-7262-9249114
Email: info@shure.de
www.shure.eu

Asia, Pacific:
Shure Asia Limited
22/F, 625 King's Road
North Point, Island East
Hong Kong

Phone: +852-2893-4290
Fax: +852-2893-4055
Email: info@shure.com.hk
www.shureasia.com