

# Product Specification Sheet

## Acclaim Fresnel White



**Selecon's most popular Fresnel - available with a white exterior high heat coating and interior black finish.**

This option is very much in demand for churches, hotels and meeting rooms and other such venues where the traditional black finish is inappropriate.

### Features

110mm diameter lens.

Up to 40% more light output than comparative Fresnel luminaires.

A wide range of beam angles from 6°-60°.

Adjustable yoke balance point.

'Swing-down' door for easy access to lamp or cleaning. Isolates the mains supply when opened.

Captive lamp/ reflector focus system moves on brass bearing provides smooth focus movement.

Rear grab-handle, doubles as handy cable storage.

### Lamps: 220V-240V

<b>500W T/25,T/18</b>	11,000 lumens	400hrs average life
<b>650W T/26,T/27</b>	14,500 lumens	600hrs average life

### Lamps: 230V-240V

<b>300W M/38</b>	5,200 lumens	2000 hrs average life
<b>300W M/40</b>	10,000 lumens	2000hrs average life

### Order Codes

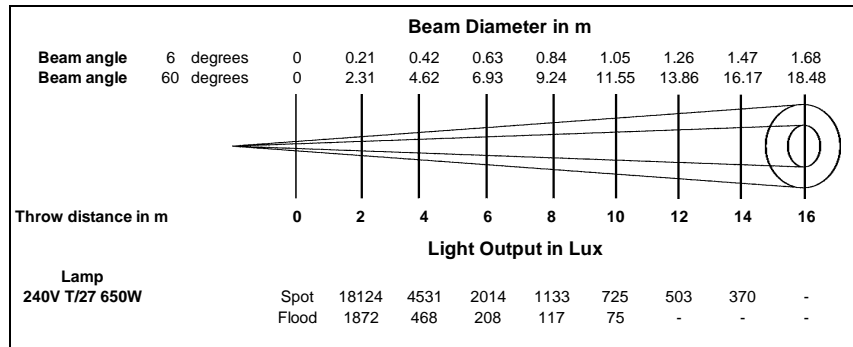
12ACFMSWH	White Acclaim Fresnel
20BDMFW	Barndoor – white
20BDMFWB	Barndoor - white exterior / interior flaps black
15ACSM	Lens safety mesh
20HC	Suspension hookclamp
20SC	Safety bond

### Approvals

Fully tested and compliant to CE standards.

## Photometric Data

Tests conducted using a standard T/27, 650W, 15,000 lumen lamp.



## Physical Data

**Weight:** 2.8kg

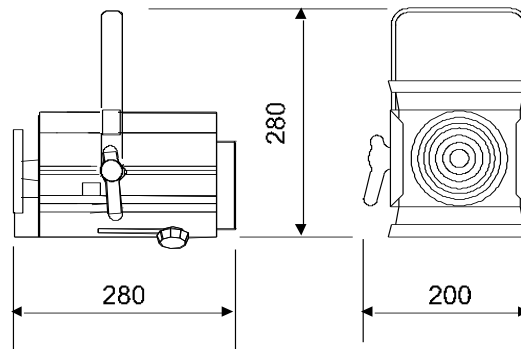
**Packed Weight:** 3.2kg

**Carton Size:** 420 x 225 x 175

**Carton Size Cubic:** 0.016

**Colour Frame Size:** 125mm x 125mm

**Included:** 1x colour frame, 1x M12 nut & bolt set, instruction leaflet.



Philips Selecon reserves the right to change the specifications without notice (September 2011).

**PHILIPS**  
**Selecon**